
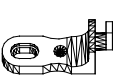
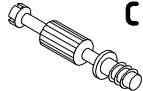
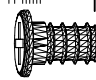

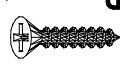
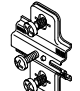
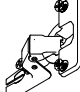

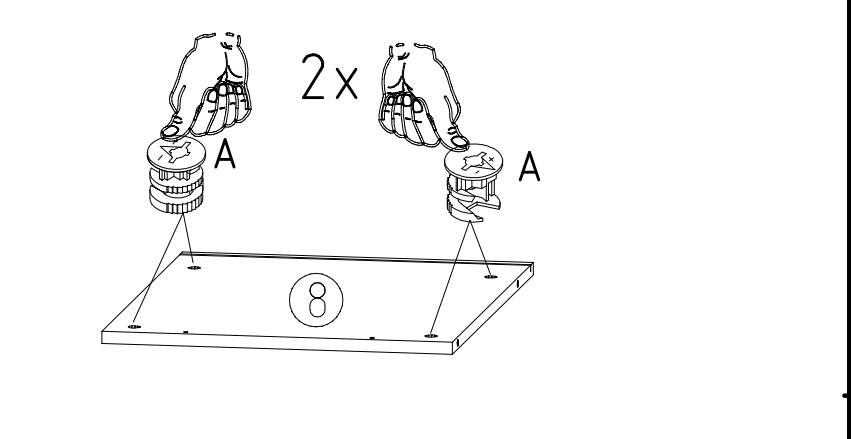
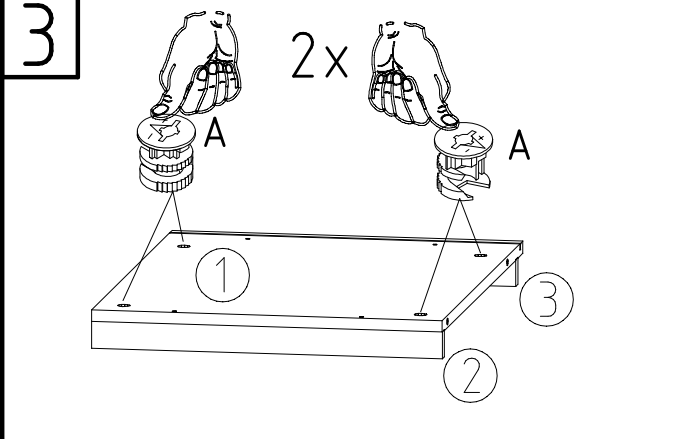
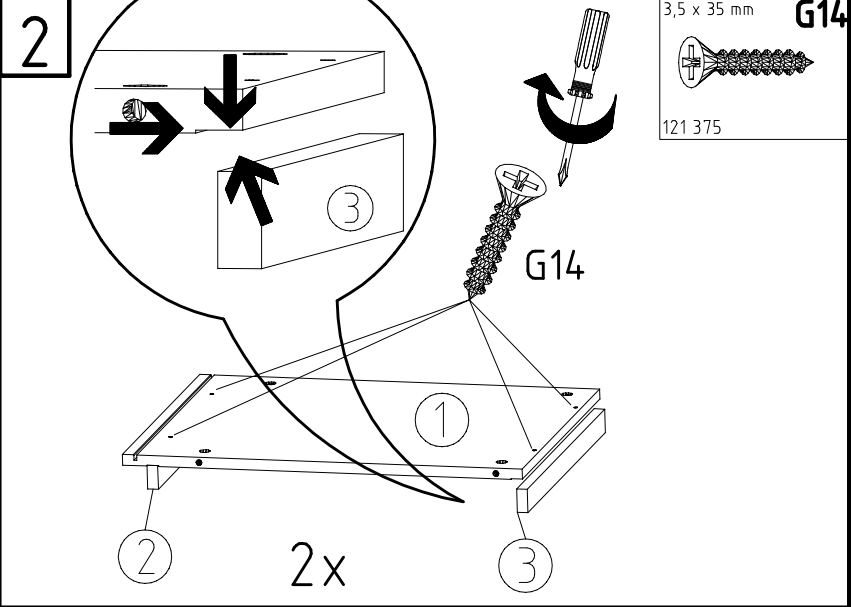
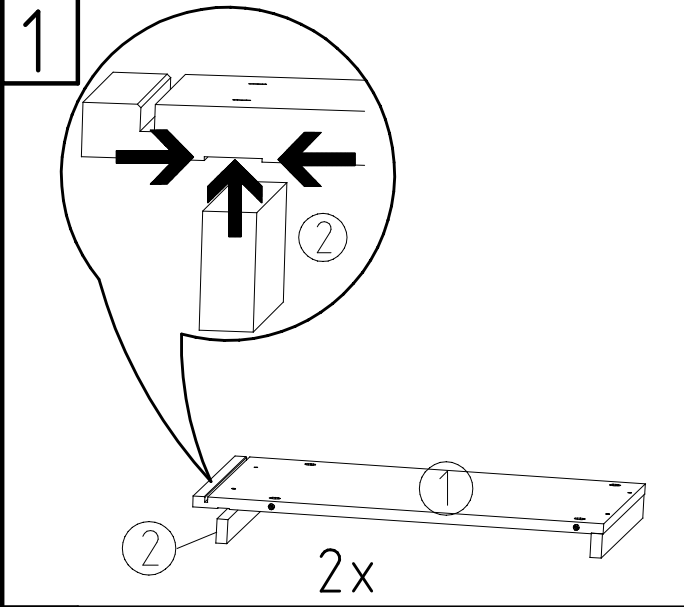
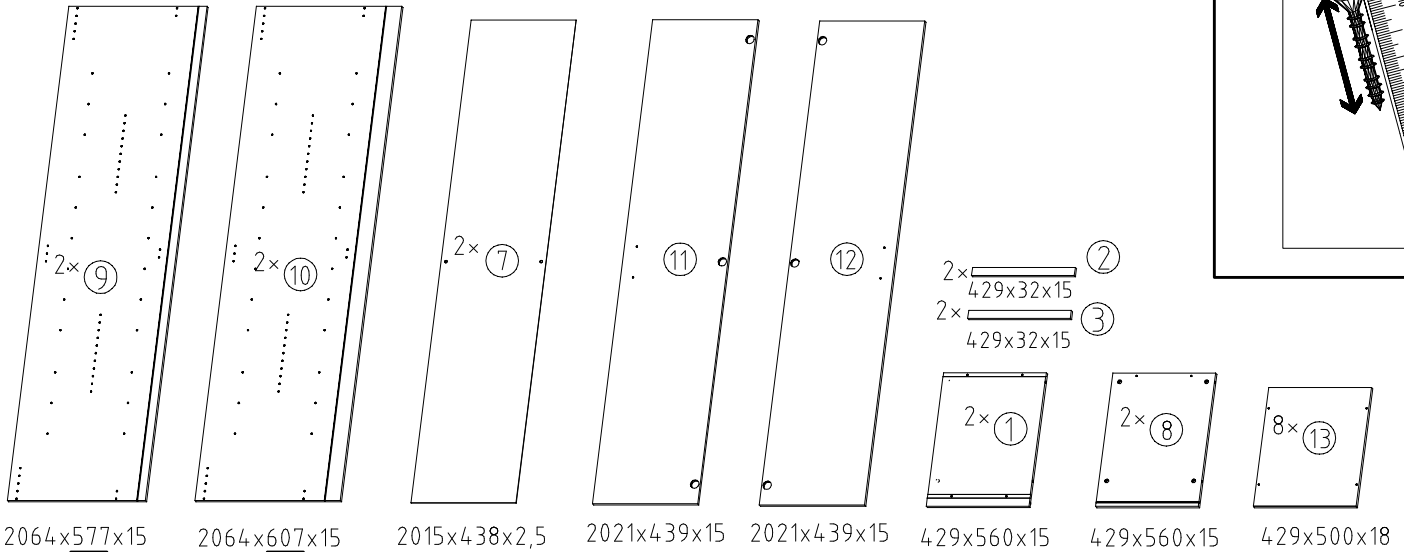
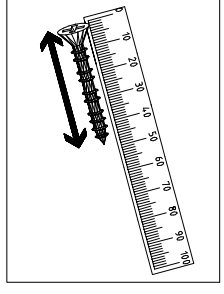
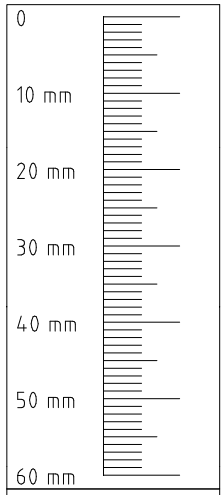
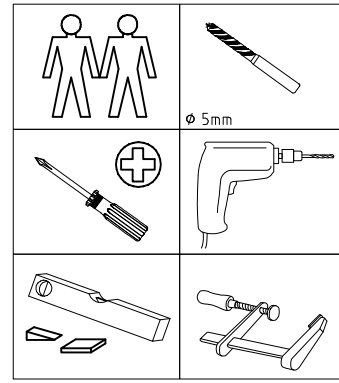
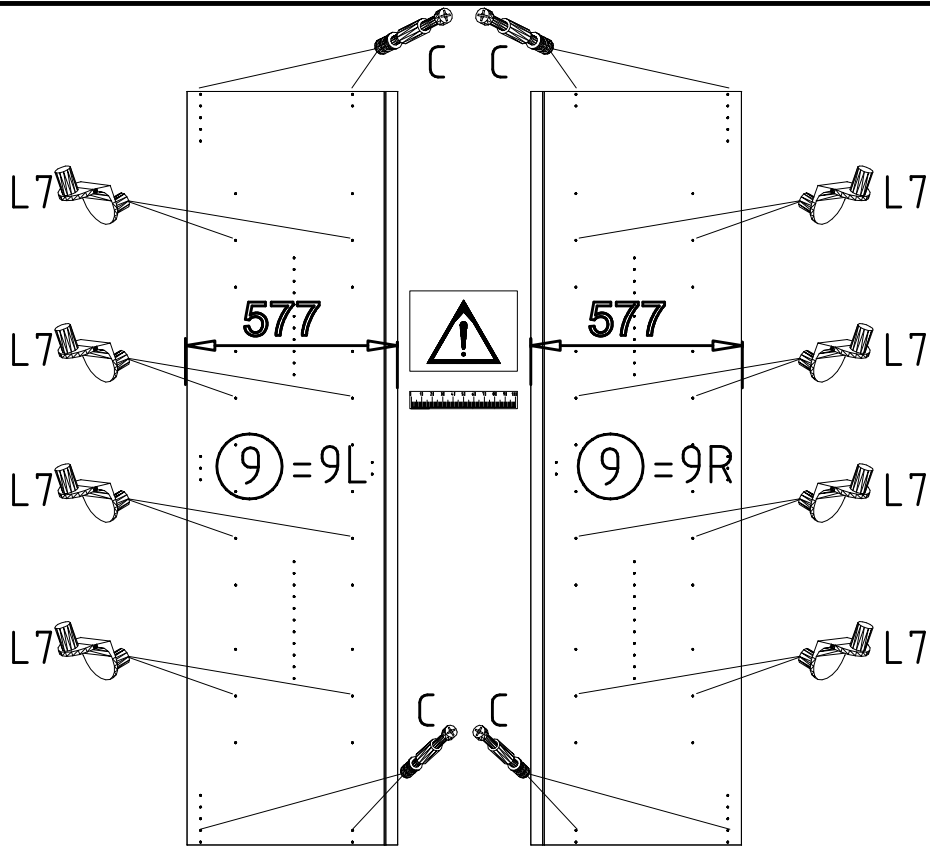
 111 102	<b>A</b> 16x
 111 610	<b>L7</b> 32x
 111 174	<b>J1</b> 4x

 111 103	<b>C</b> 16x
 M6 x 11 mm	<b>T6</b> 4x
 3,5 x 15 mm	<b>G1</b> 4x

 3,5 x 35 mm	<b>G14</b> 8x
 121 375	<b>M</b> 6x
 112 268	<b>N</b> 6x
 4 X 27mm	<b>SP27</b> 10x



4



L7

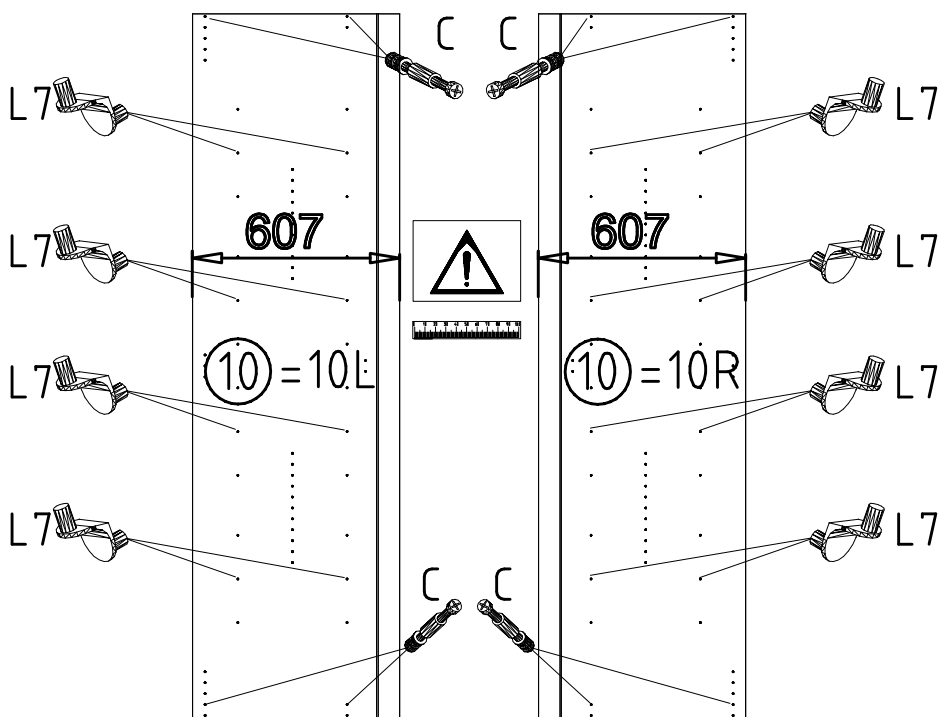
111 610

+

C

111 103

5



L7

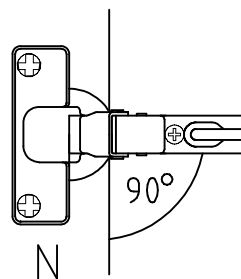
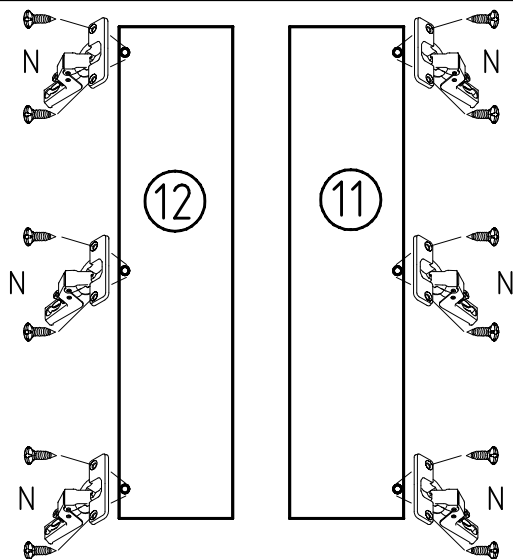
111 610

+

C

111 103

6



+

N

112 267

### 7

8  
9L 9R 10L 10R  
1 577 1 607

9L 10L

1

9 10

1

### 8

7

8

3,5 x 15 mm G1  
121 370

J1  
111 174  
M6 x 11 mm T6  
121 181

T6

J1 G1

### 9

8

8

8

+

### 10

8

9R 10R

1

+

### 11

M

9L 9R 10L 10R

M M M M

M

M

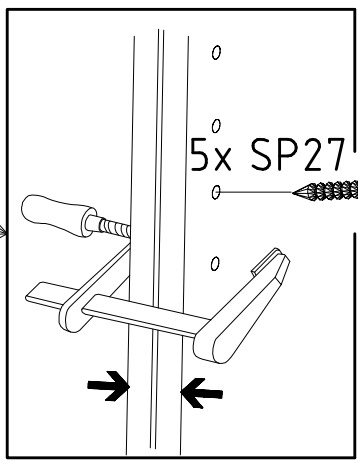
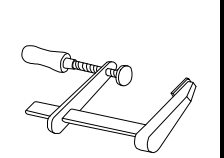
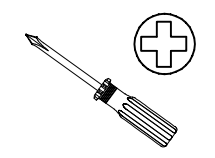
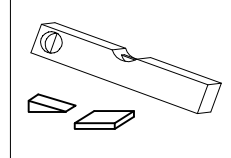
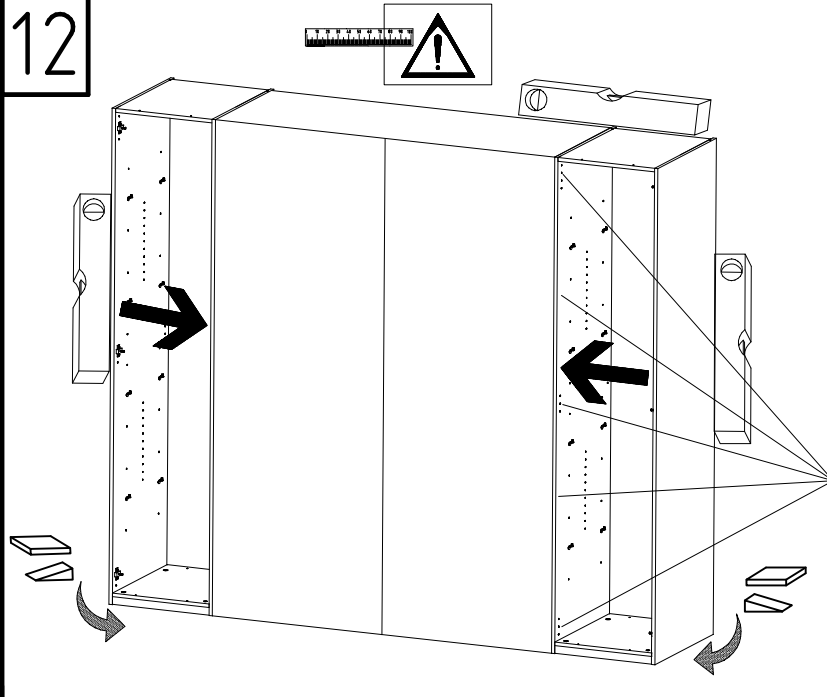
577 L R 607

M

112 268

+

12

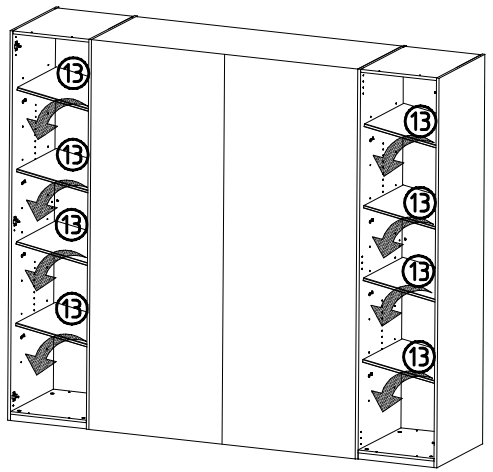


SP27  
4 x 27mm  
122620

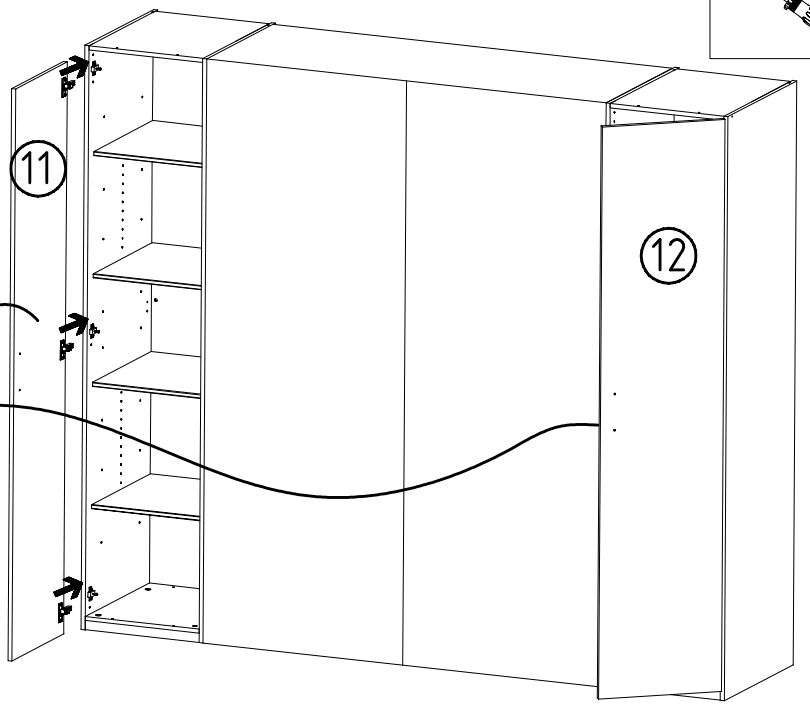
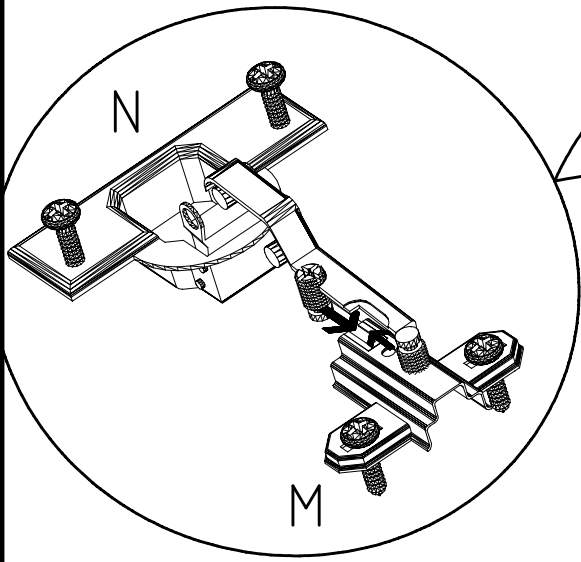
5x SP27

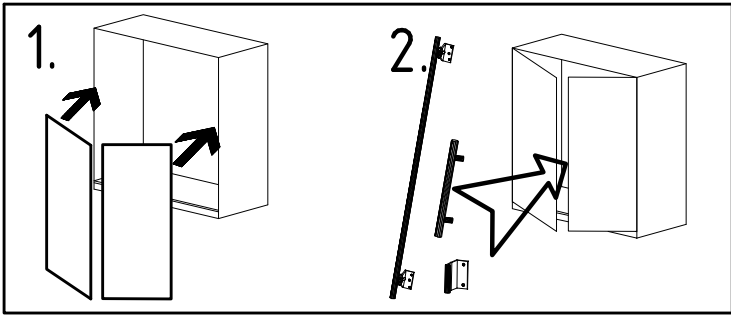
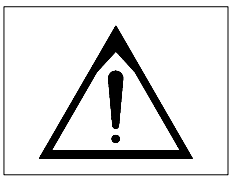
φ 5mm

13

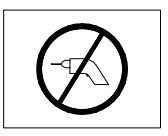
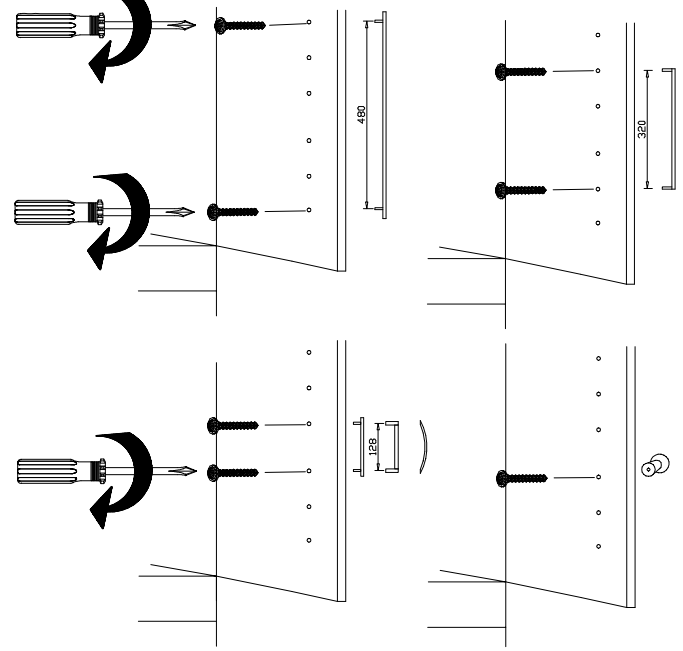
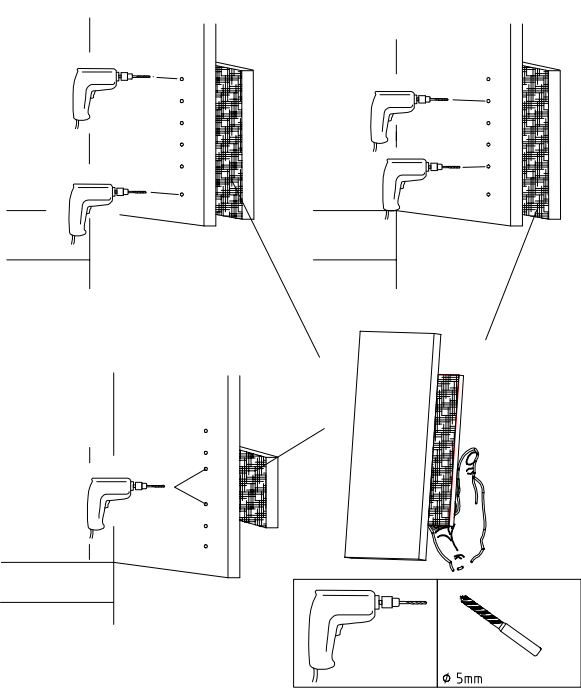
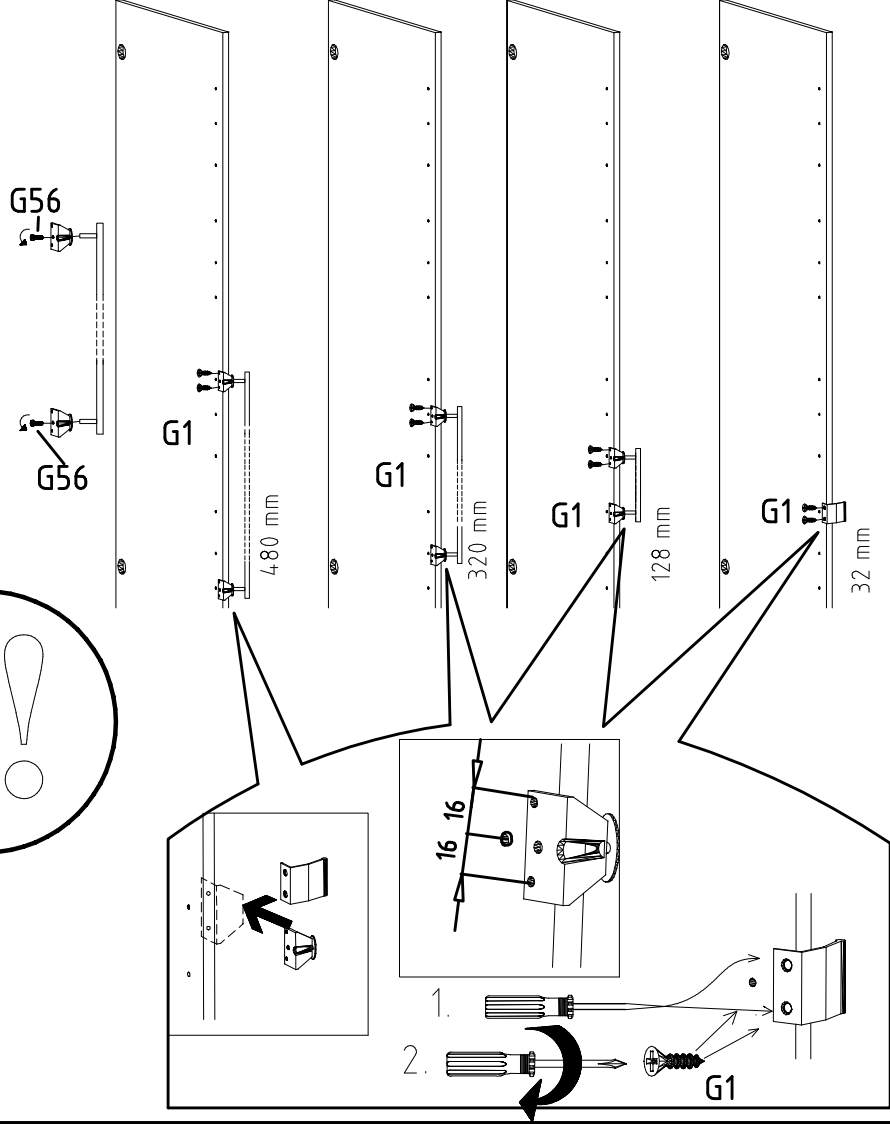
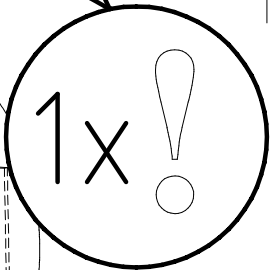
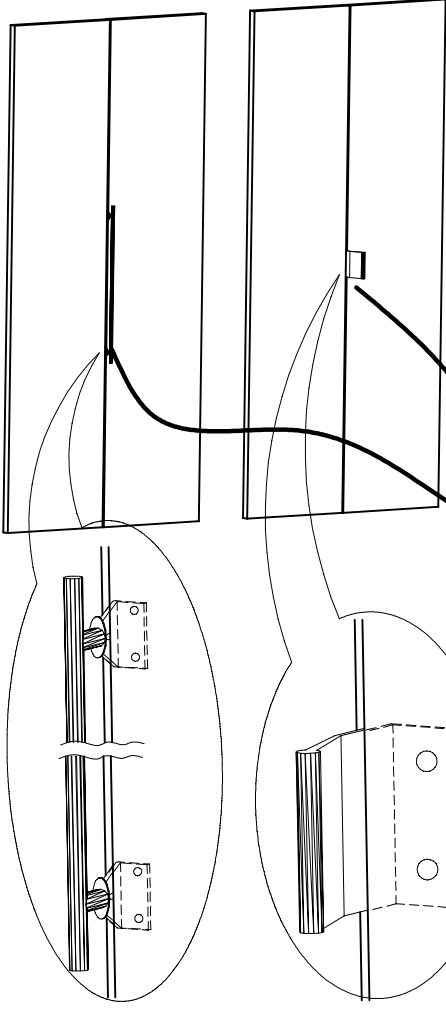


14





3,5 x 15 mm 121 370	G1	4,0 x 12 mm 122 625	G56
------------------------	----	------------------------	-----



	<b>SP27</b>
4 x 27mm	
122620	
4,0x22	G49
122 609	

