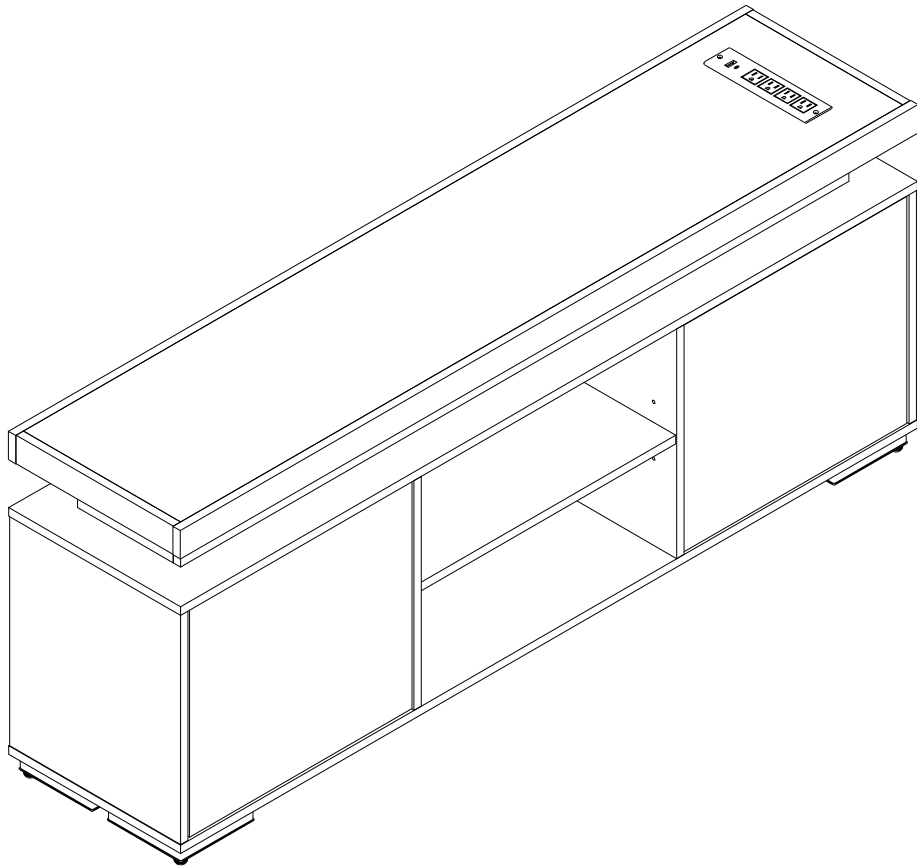




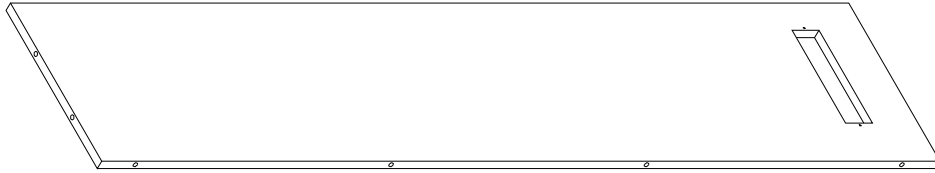
INSTRUCTIONMANUAL



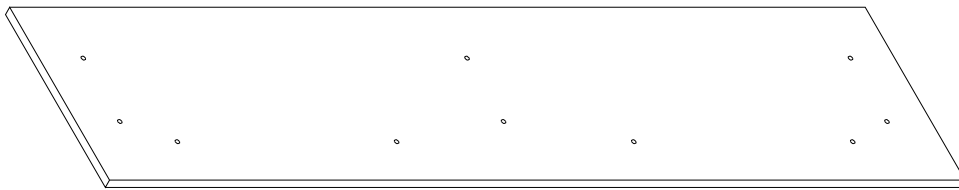


HARDWARELIST

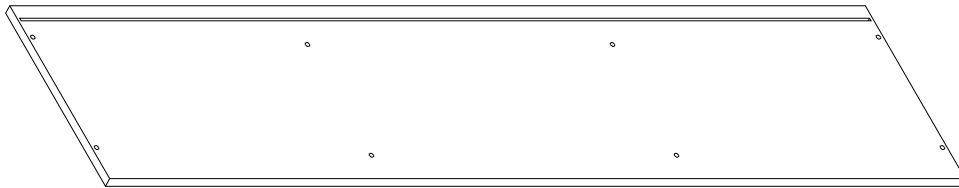
①



②



③

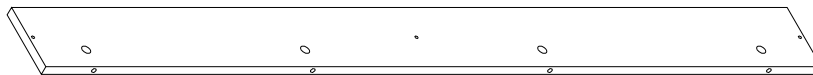


④

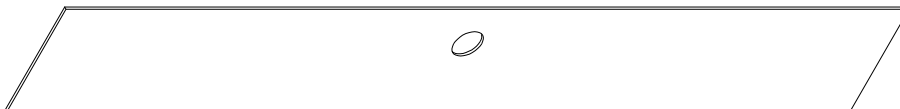


x 2

⑤



⑥



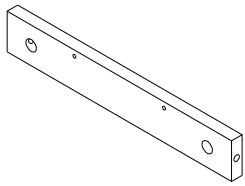
⑦



⑧

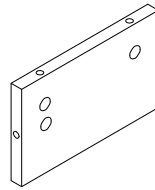


9



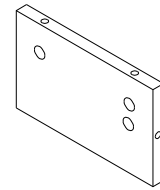
x 2

10

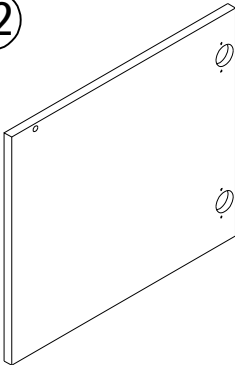


x 2

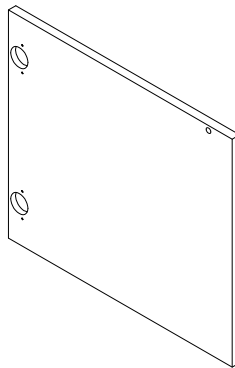
11



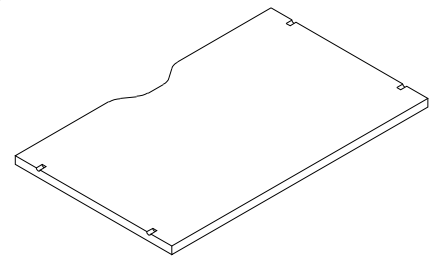
12



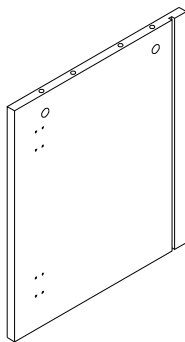
13



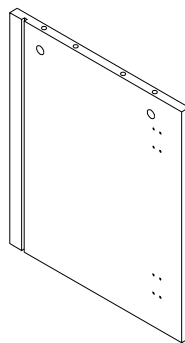
14



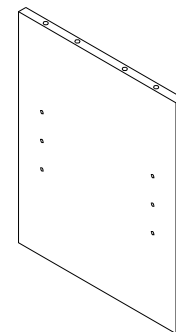
15



16

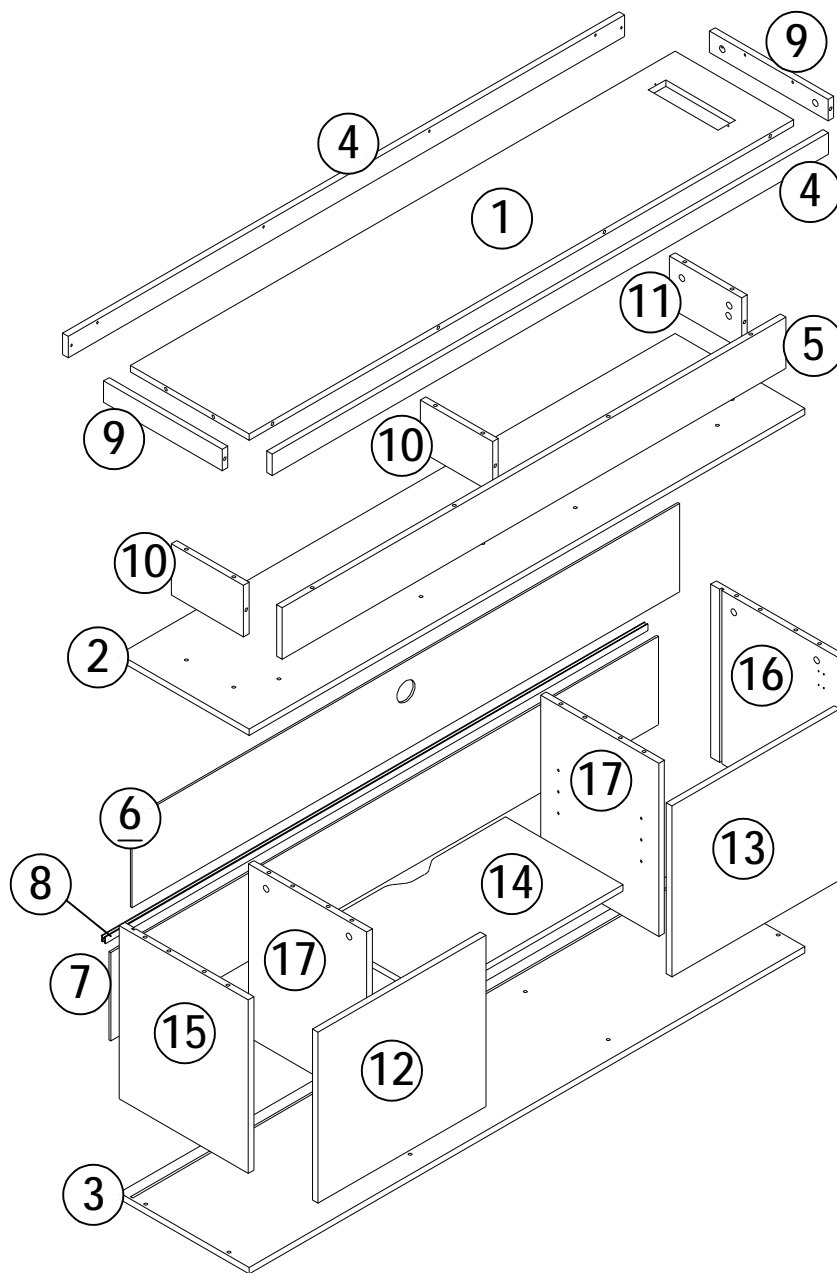


17



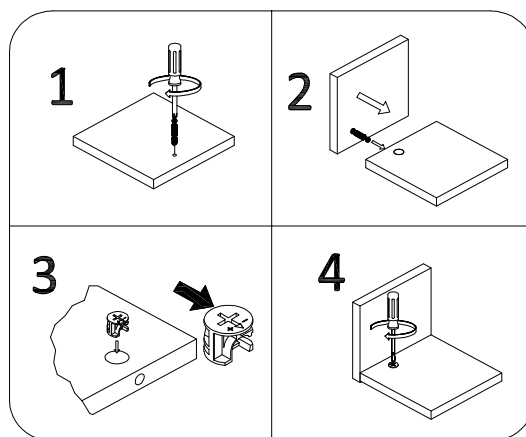
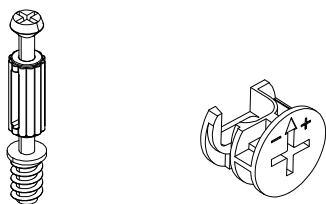
x 2

A M5x42 37 PCS	B Ø15x12 37 PCS	C M7x50 18 PCS	D M3.5x14 46 PCS	E M4x30 18 PCS	F Ø8x40 8 PCS	G 2 PCS	H DW 4 PCS	I Ø6 4 PCS
J 16 PCS	K 20 PCS	L M6X20 5 PCS	M 4 PCS	N 1 PCS	O 2.0M 1 PCS	P 1 PCS	 1 PCS	4# 1 PCS
Q 5 PCS								



Cam Lock Fastening System

This Cam Lock Fastening System will be used throughout the assembly process



1

A M5x42

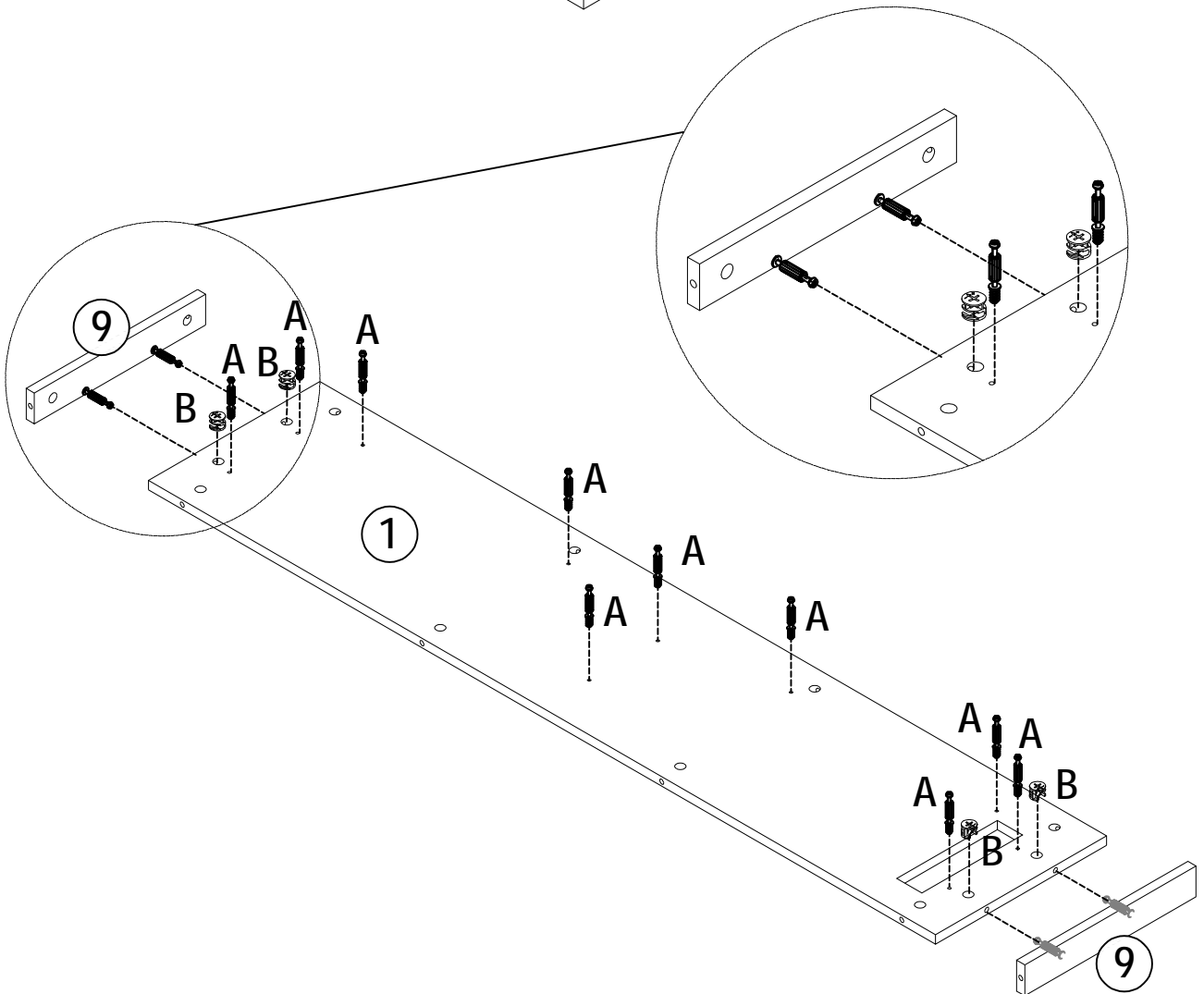
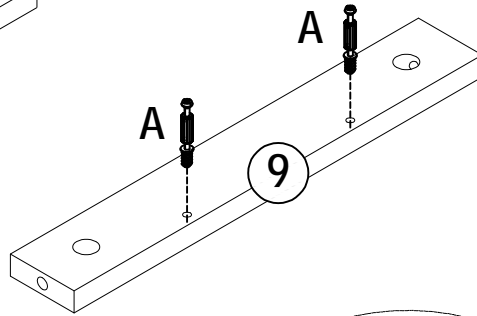
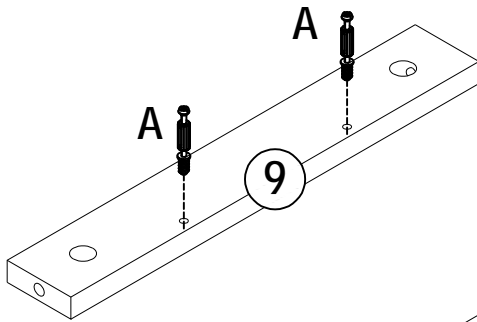


14 PCS

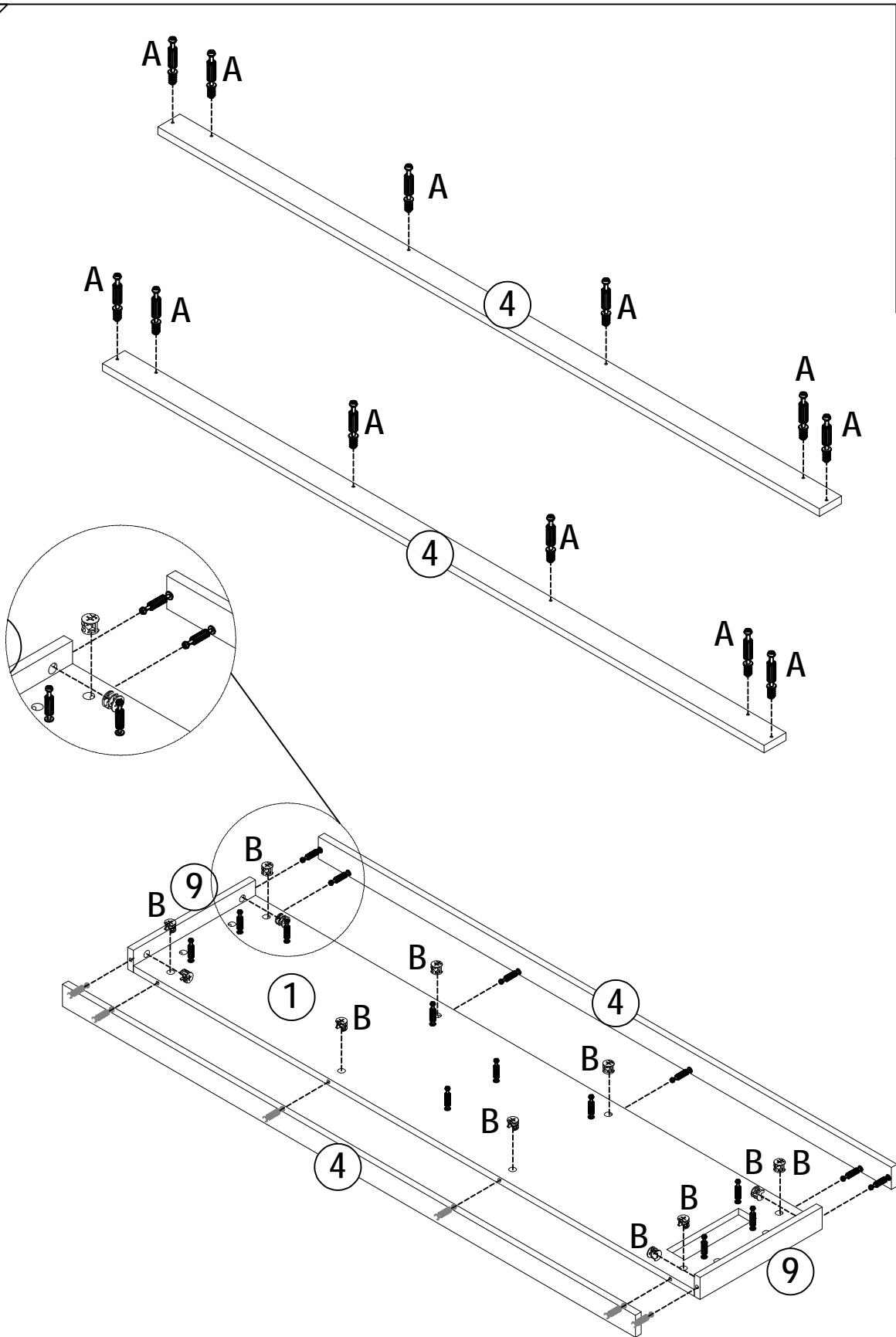
B Ø15x12



4 PCS



2



A M5x42



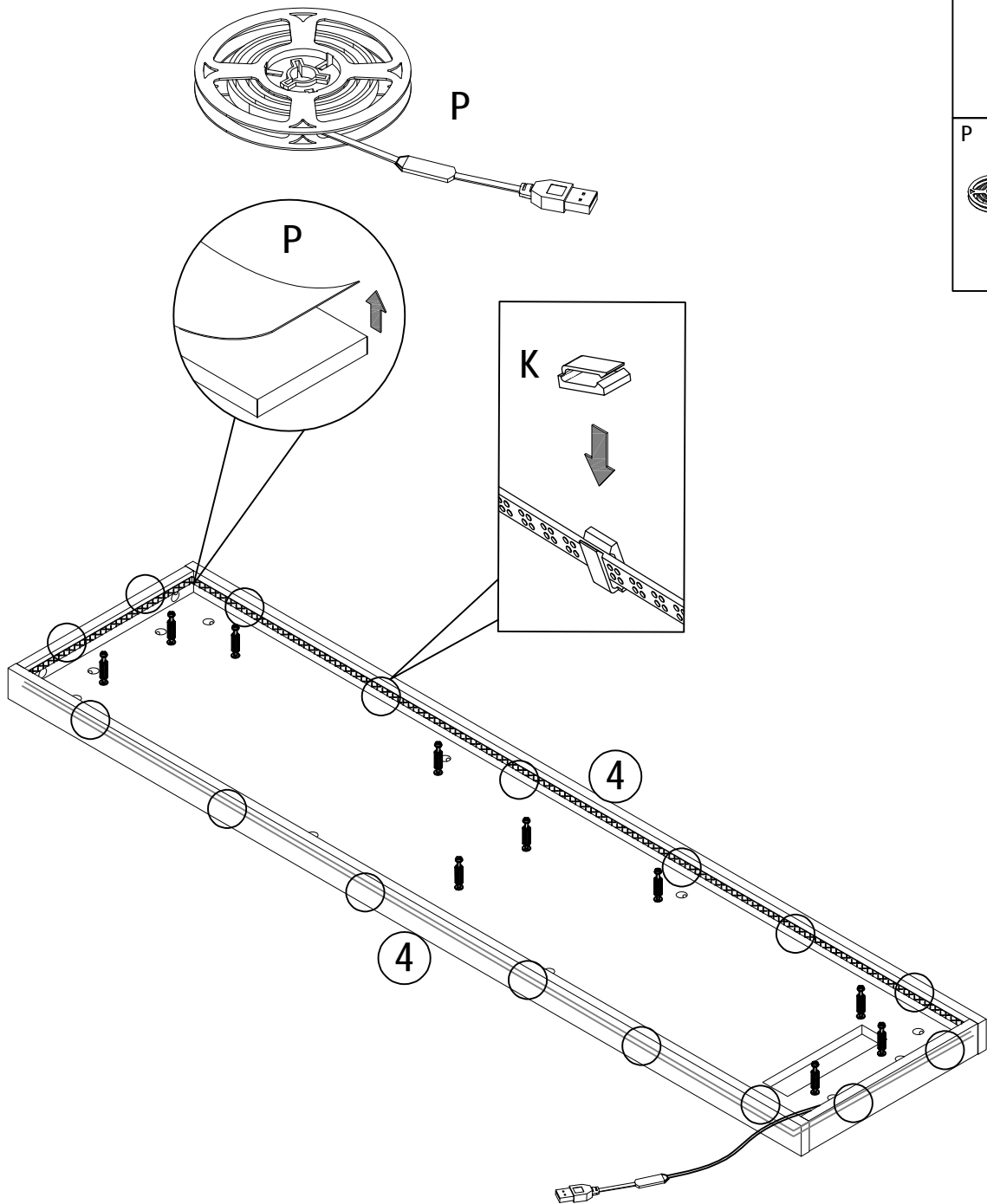
12 PCS

B Ø15x12



12 PCS

3



K



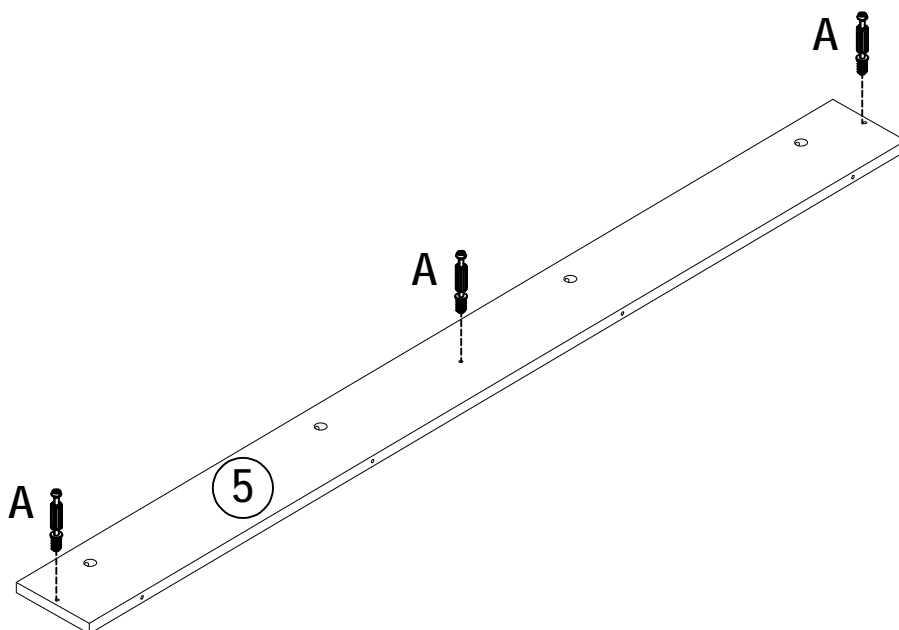
20 PCS

P



1 PCS

4



A M5x42

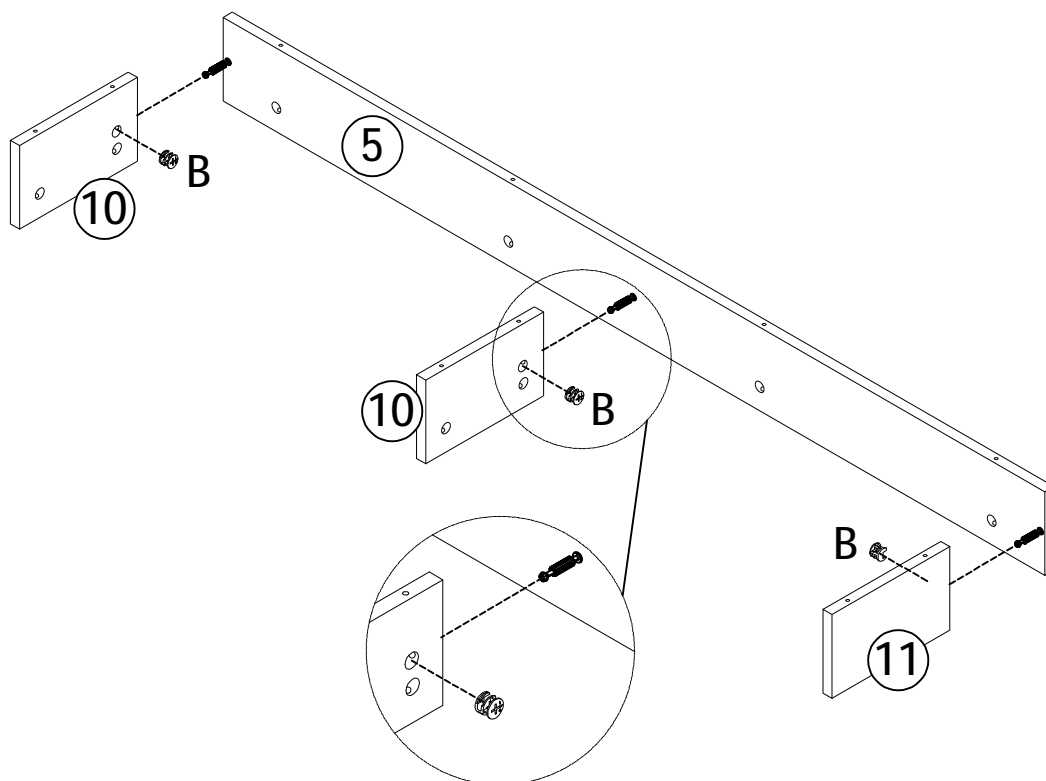


3 PCS

B Ø15x12



3 PCS

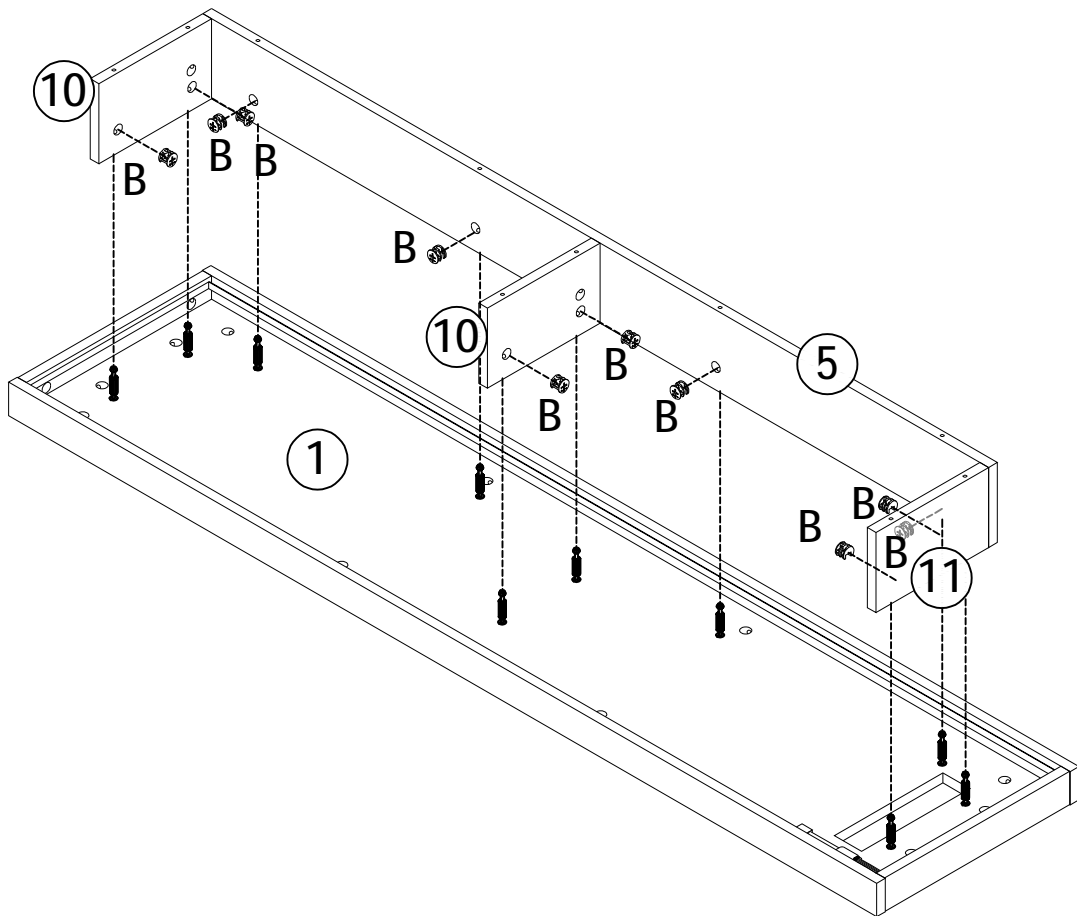


5

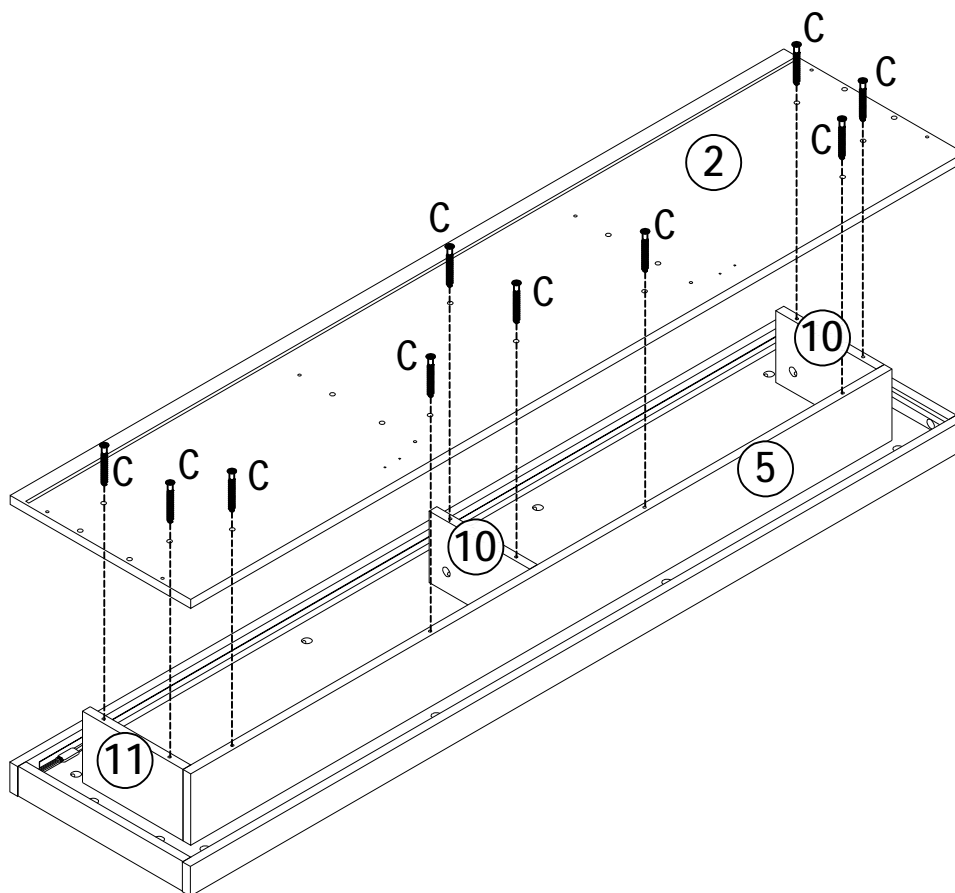
B Ø15x12




10 PCS

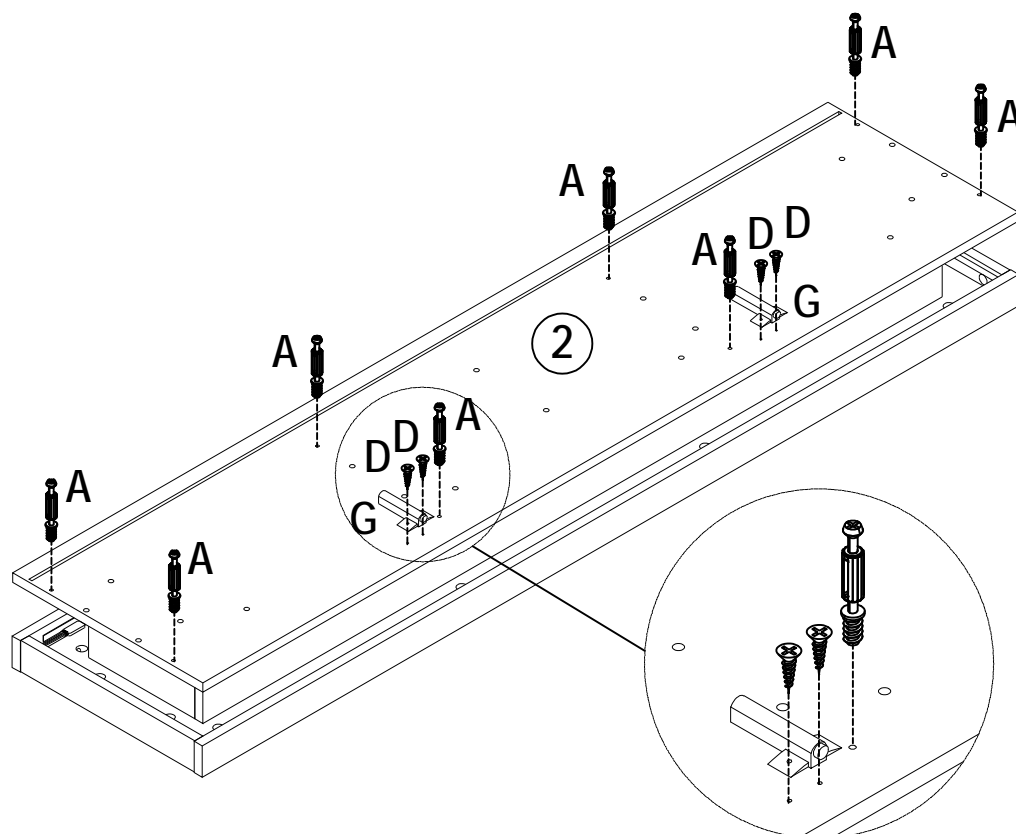



6




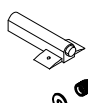
- C M7x50
- 
- 10 PCS

7



- A M5x42
- 
- 8 PCS

- D M3.5x14
- 
- 4 PCS

- G
- 
- 2 PCS

8

B Ø15x12

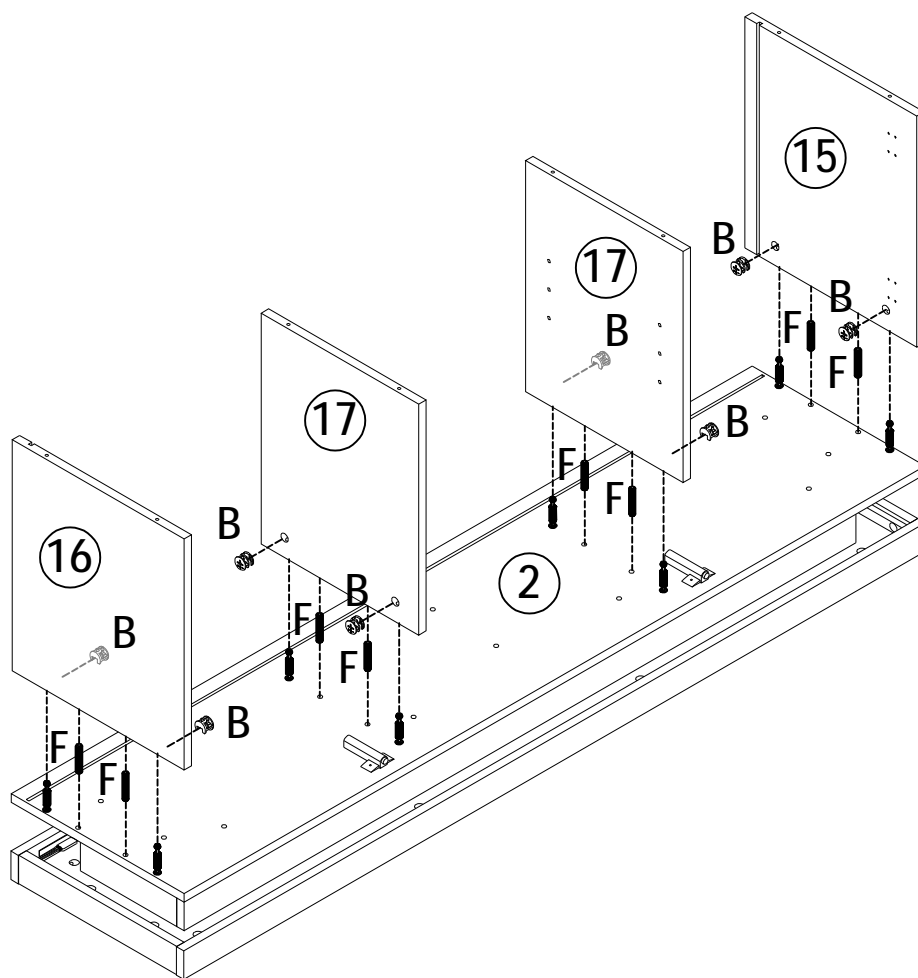


8 PCS

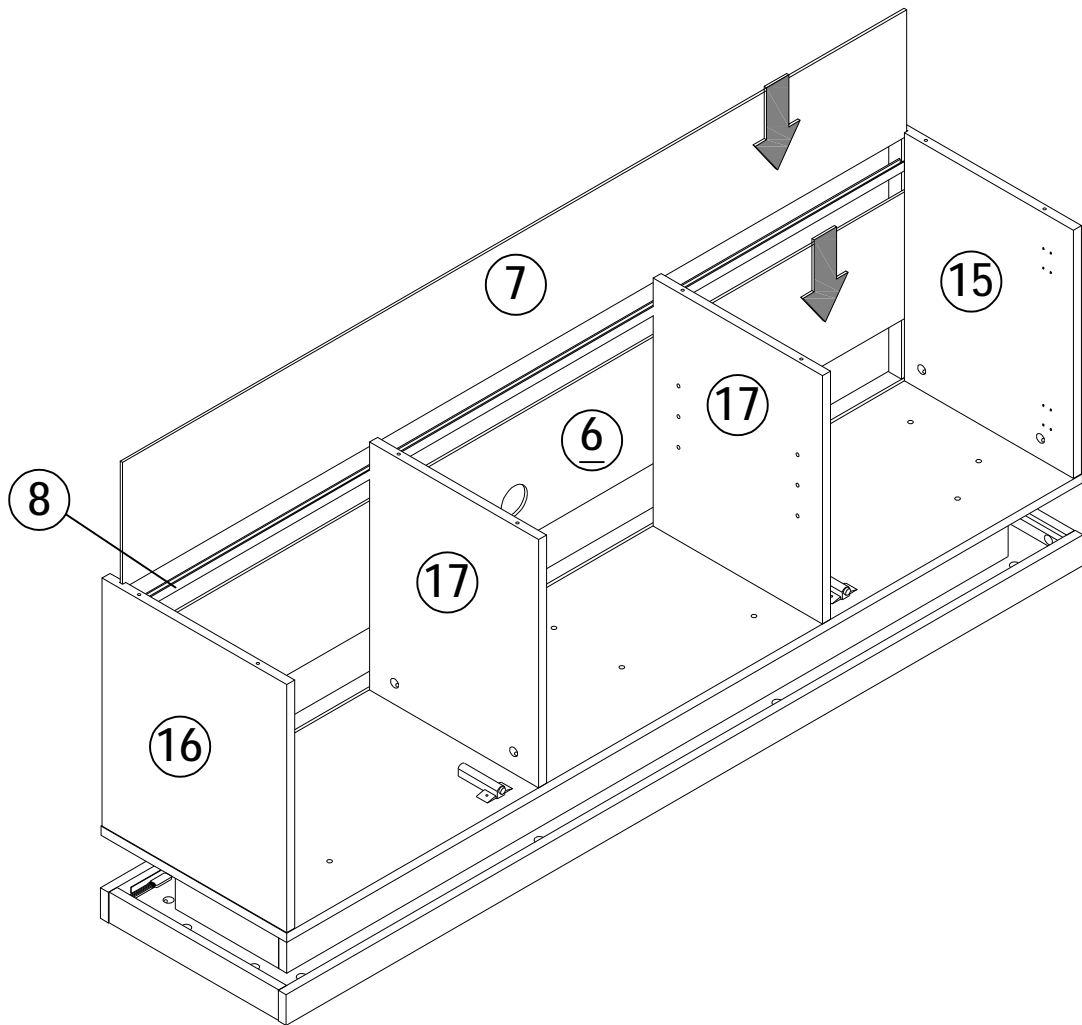
F Ø8x40



8 PCS



9

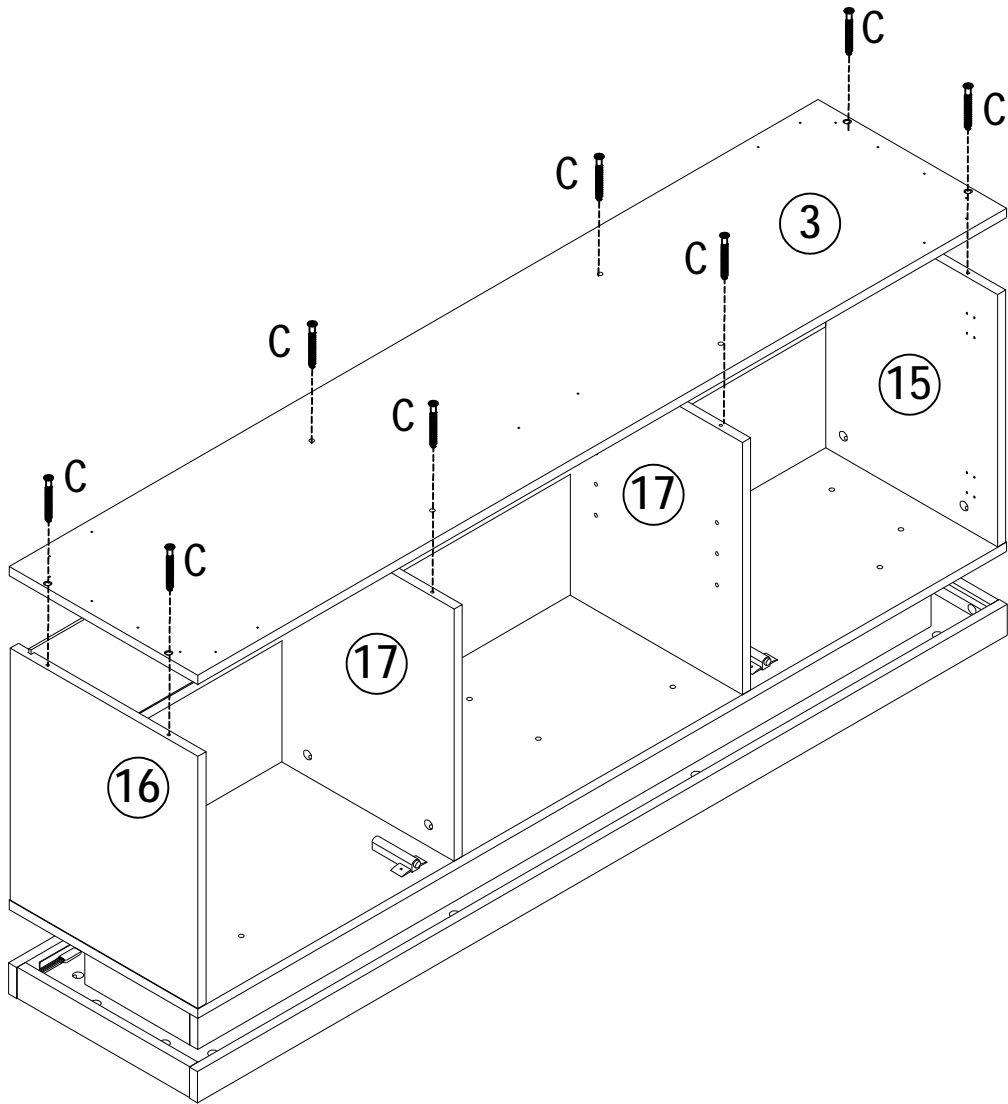


10

C M7x50



8 PCS

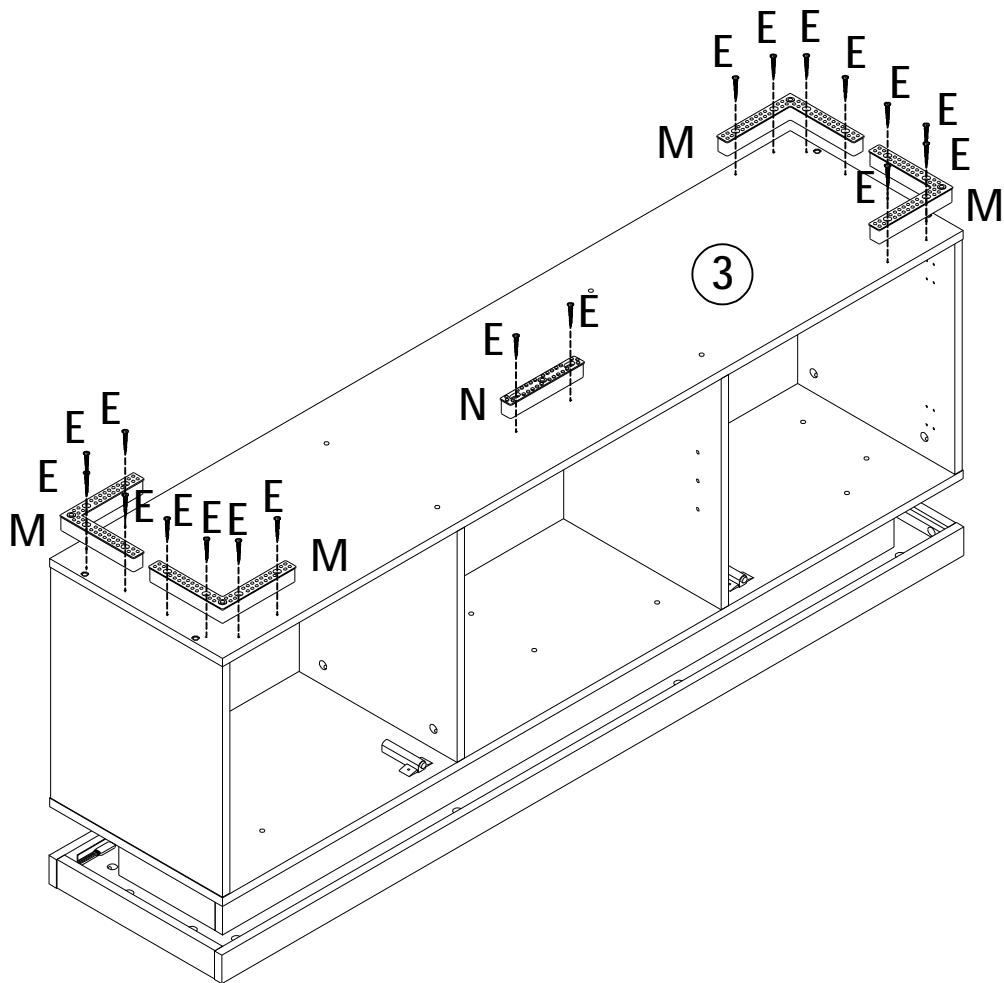


11

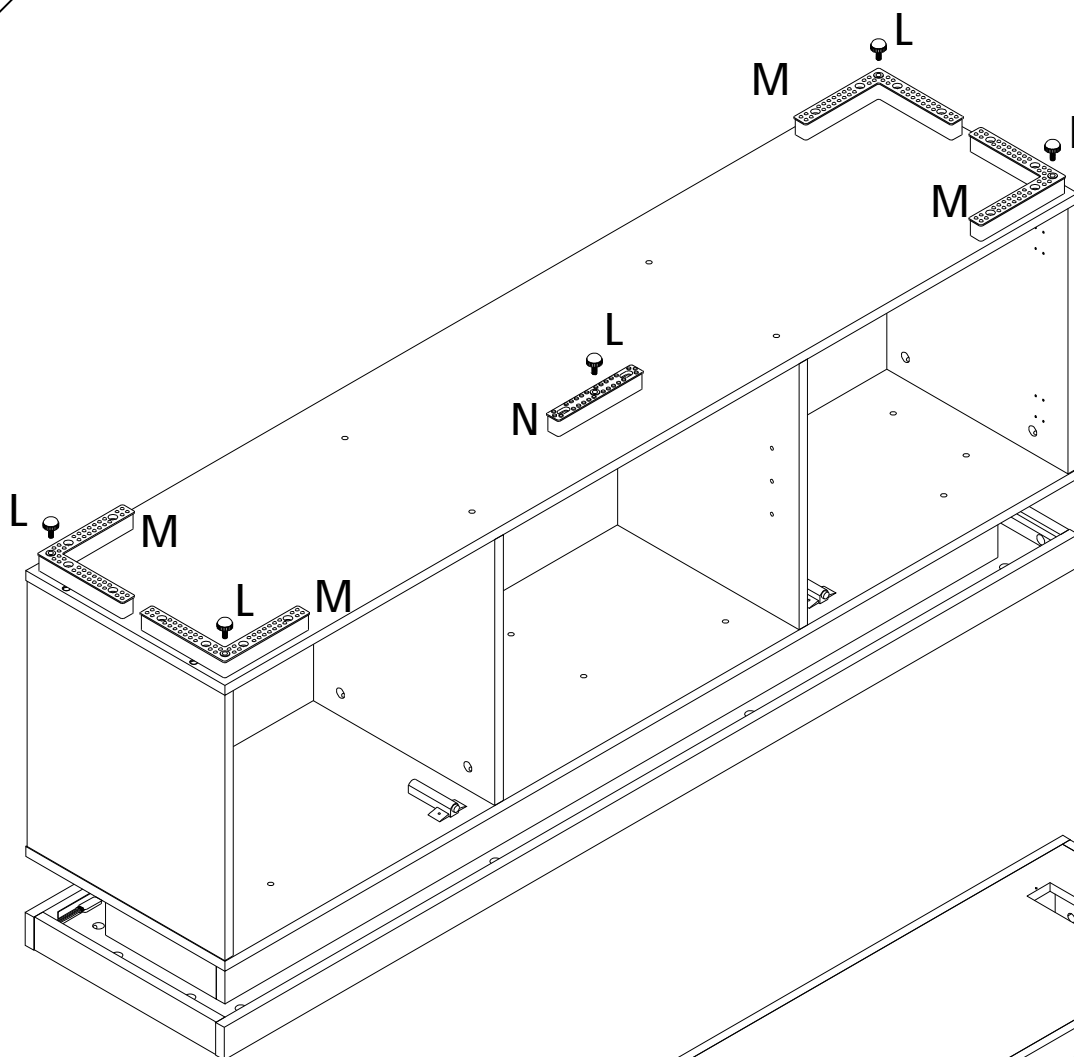
E M4x30



18 PCS



12



L M6X20

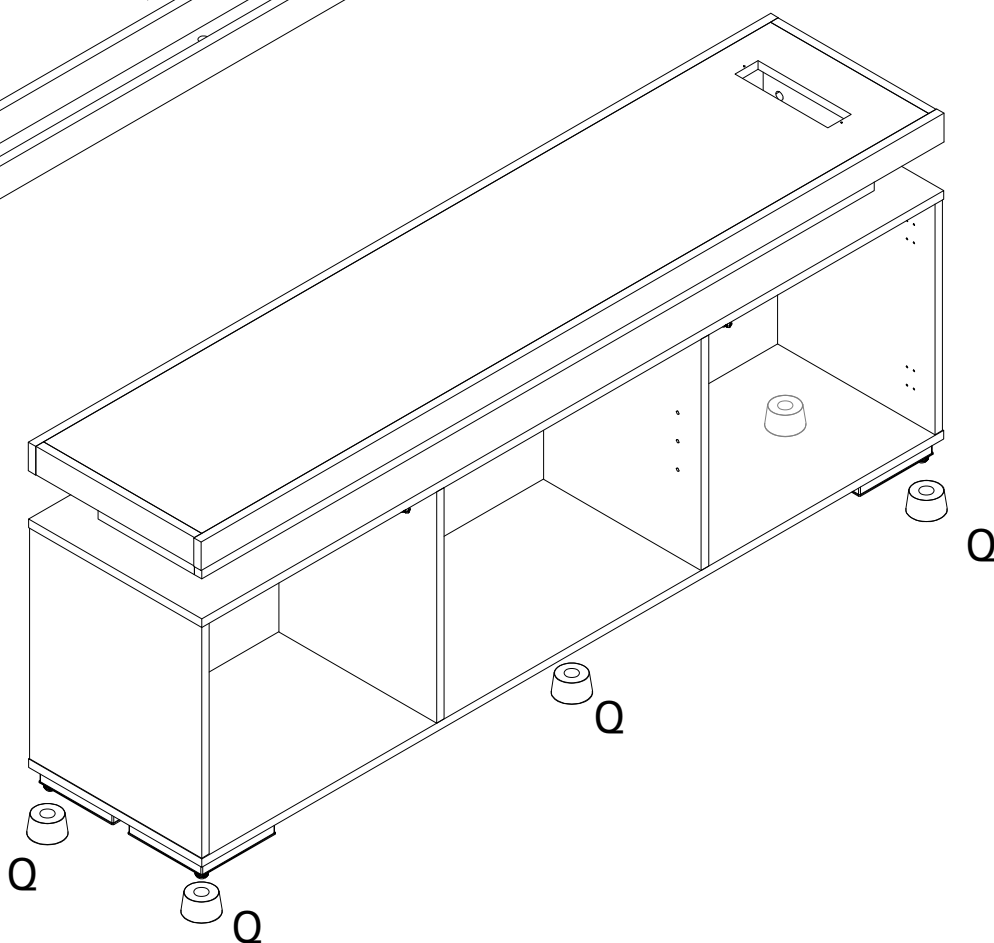
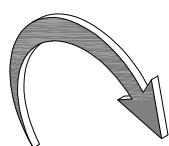


5 PCS

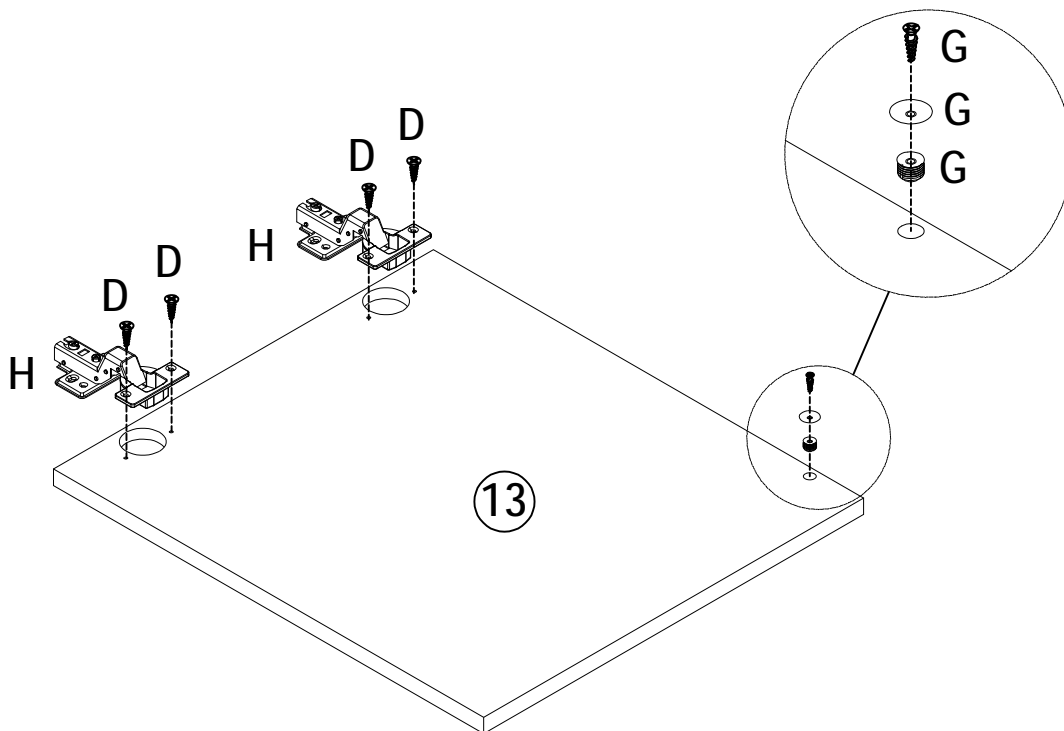
Q



5 PCS



13



D M3.5x14



8 PCS

G



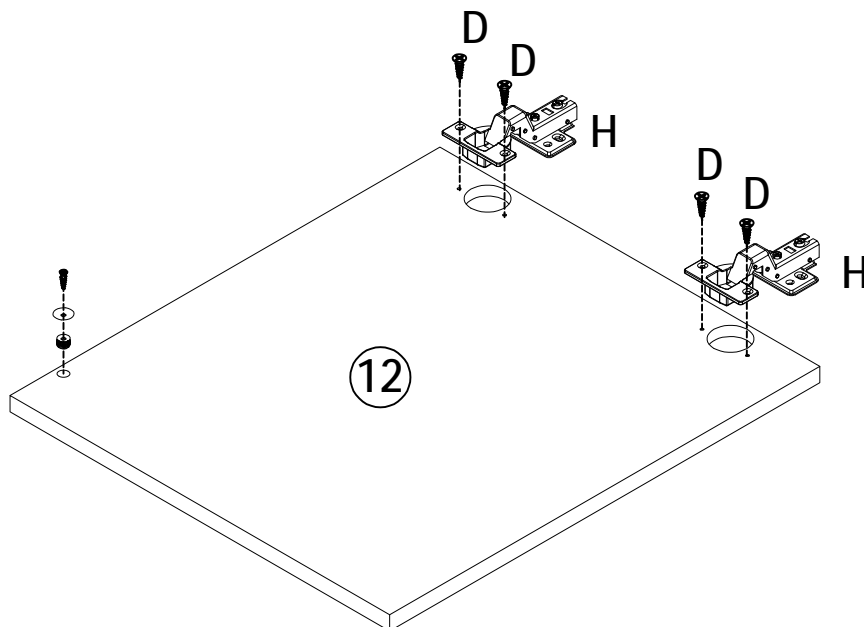
2 PCS

H DW



4 PCS

12

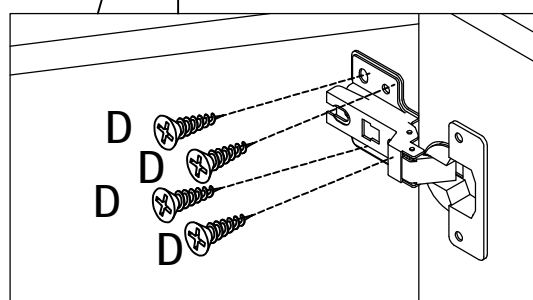
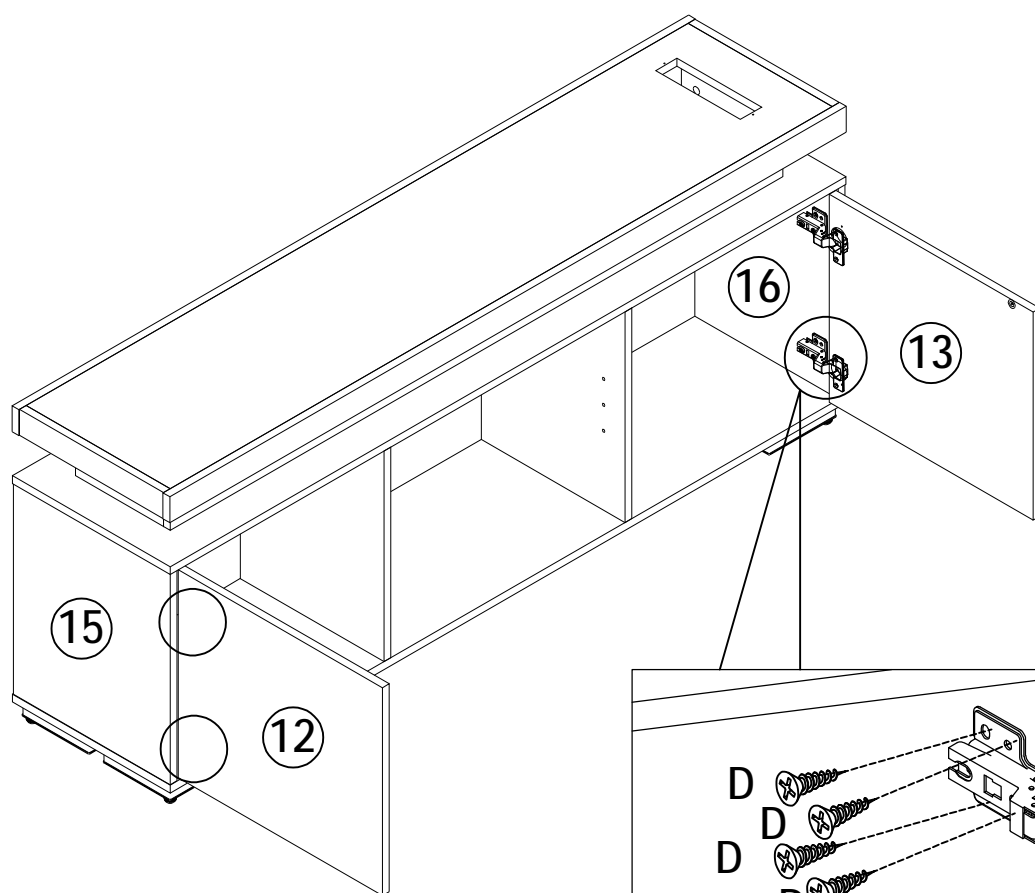


14

D M3.5x14



16 PCS

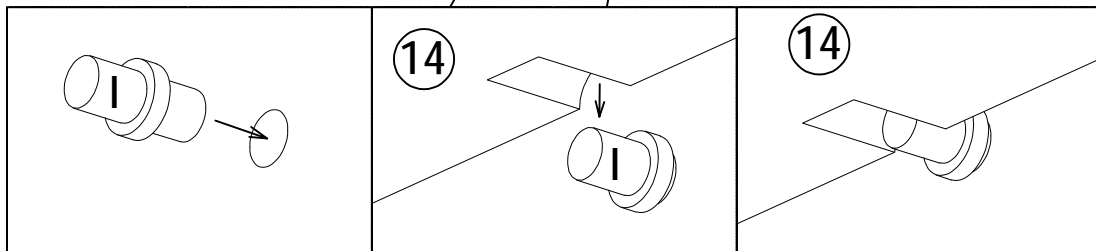
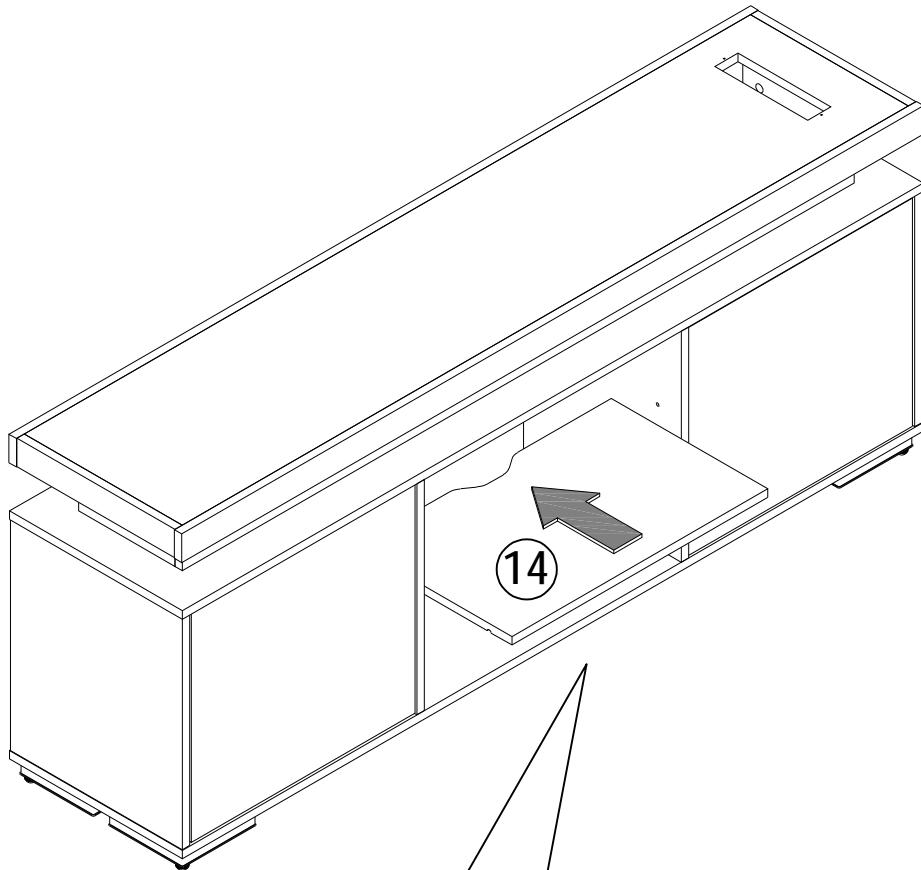


15

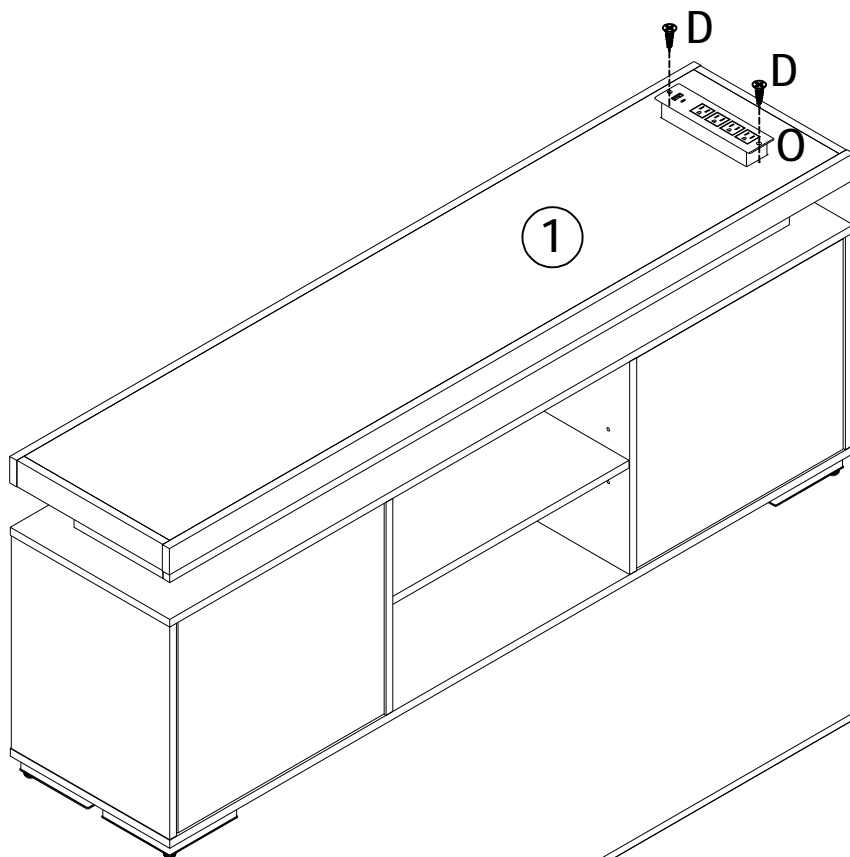
I Ø6



4 PCS



16

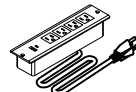


D M3.5x14



18 PCS

O 2.0M

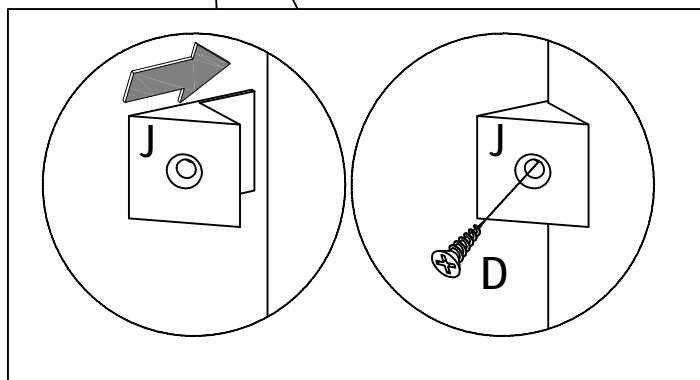
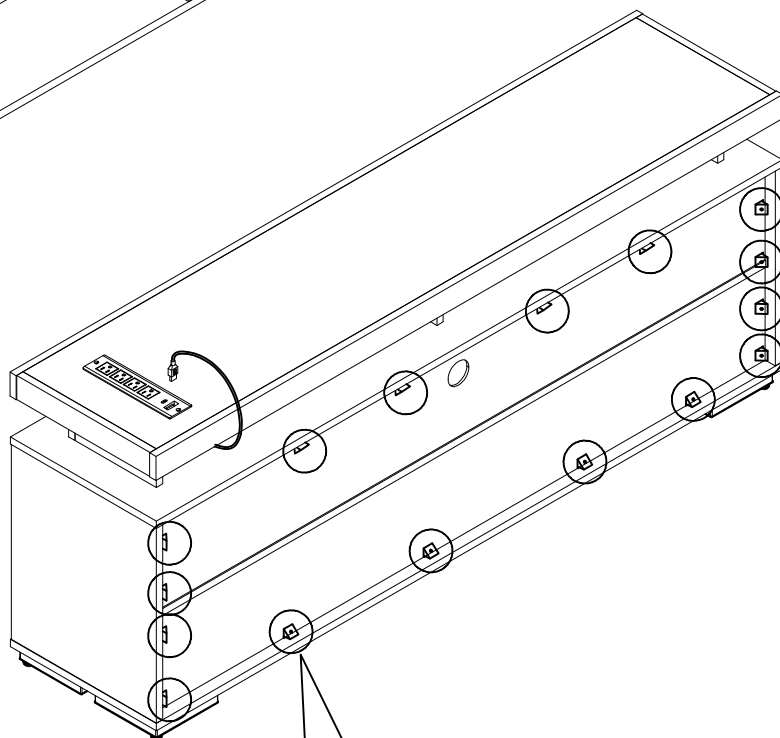
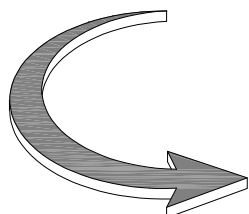


1 PCS

J



16 PCS



If doors are still not aligned,
 If there is misalignment after you install,
 adjust the screw to the best condition

