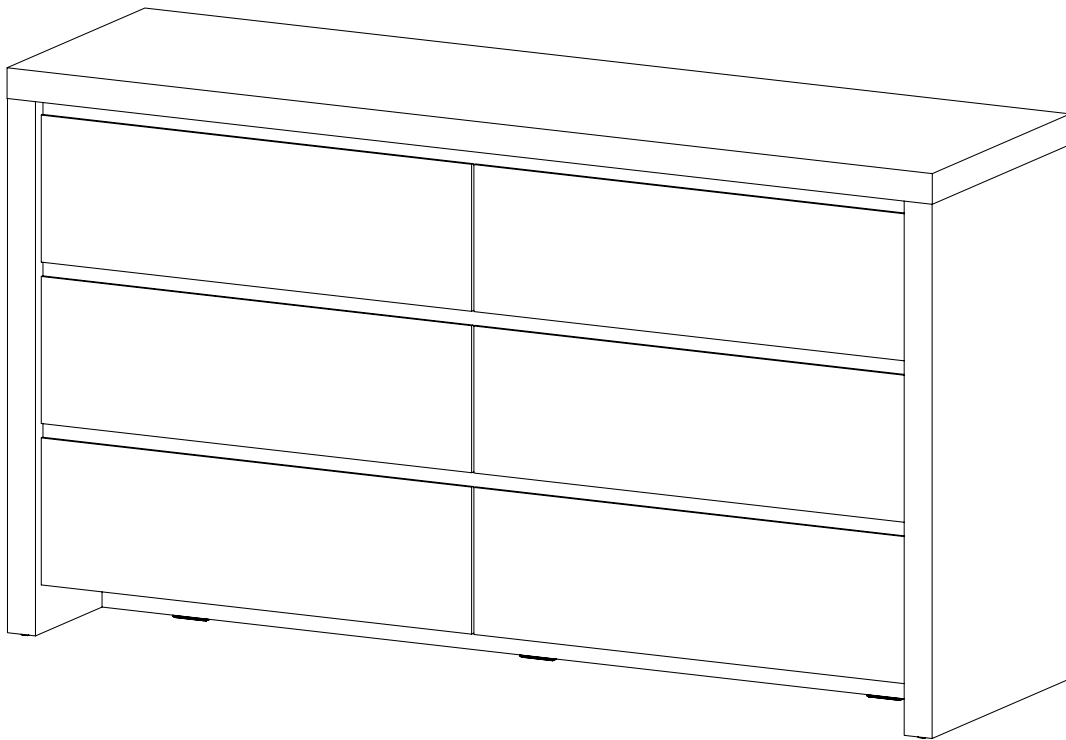
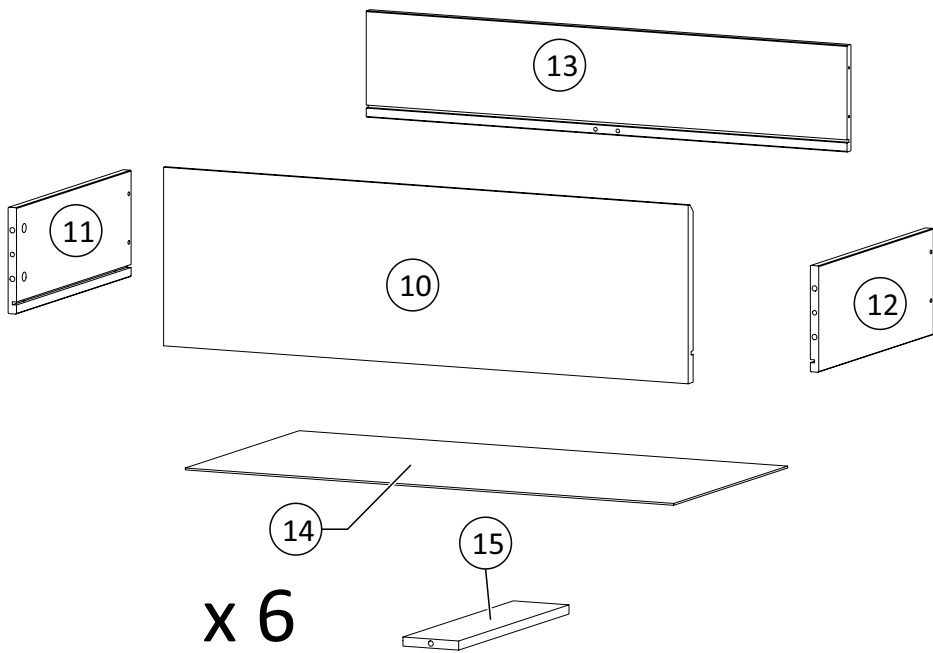
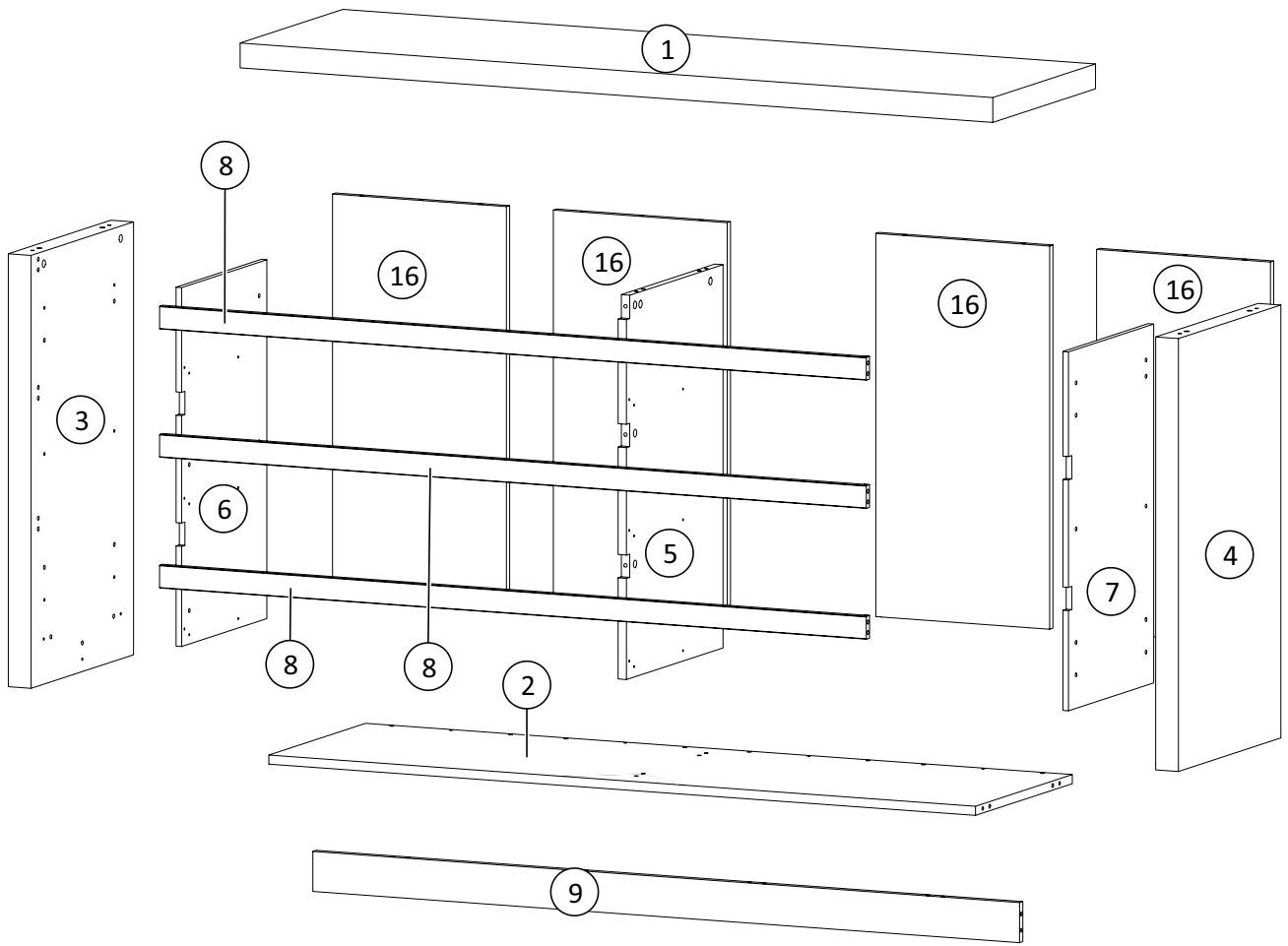


ASSEMBLY INSTRUCTIONS

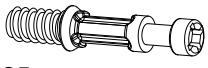



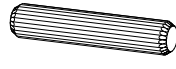
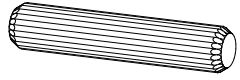
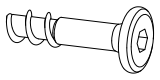
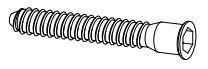
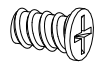

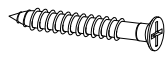
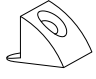

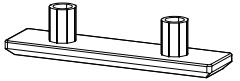
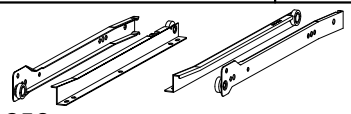
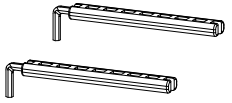
1340056





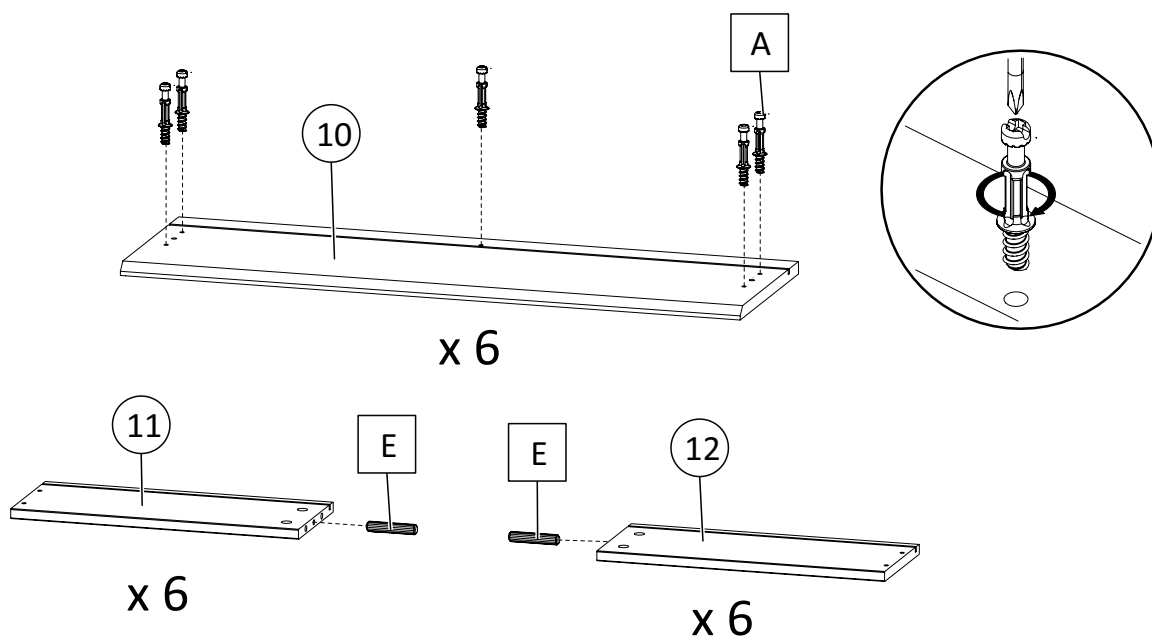
x 6


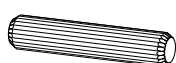
Hardware

<p>A x 57</p>  <p>∅6 x 35 mm</p>	<p>B x 27</p>  <p>∅15 mm</p>	<p>C x 30</p>  <p>∅12 mm</p>	<p>D x 50</p>  <p>∅8 x 30 mm</p>
<p>E x 12</p>  <p>∅6 x 30 mm</p>	<p>F x 4</p>  <p>∅10 x 50 mm</p>	<p>G x 12</p>  <p>M 6.4 x 25 mm</p>	<p>H x 2</p>  <p>M 7 x 50 mm</p>
<p>I x 36</p>  <p>M 6 x 10.5 mm</p>	<p>J x 36</p>  <p>M 3.5 x 13 mm</p>	<p>K x 36</p>  <p>M 4 x 39 mm</p>	<p>L x 24</p> 
<p>M x 24</p>  <p>M 3.5 x 15.5 mm</p>	<p>N x 7</p> 	<p>RM35A x 6</p>  <p>350 mm</p>	<p>HGL4 1 SET</p> 

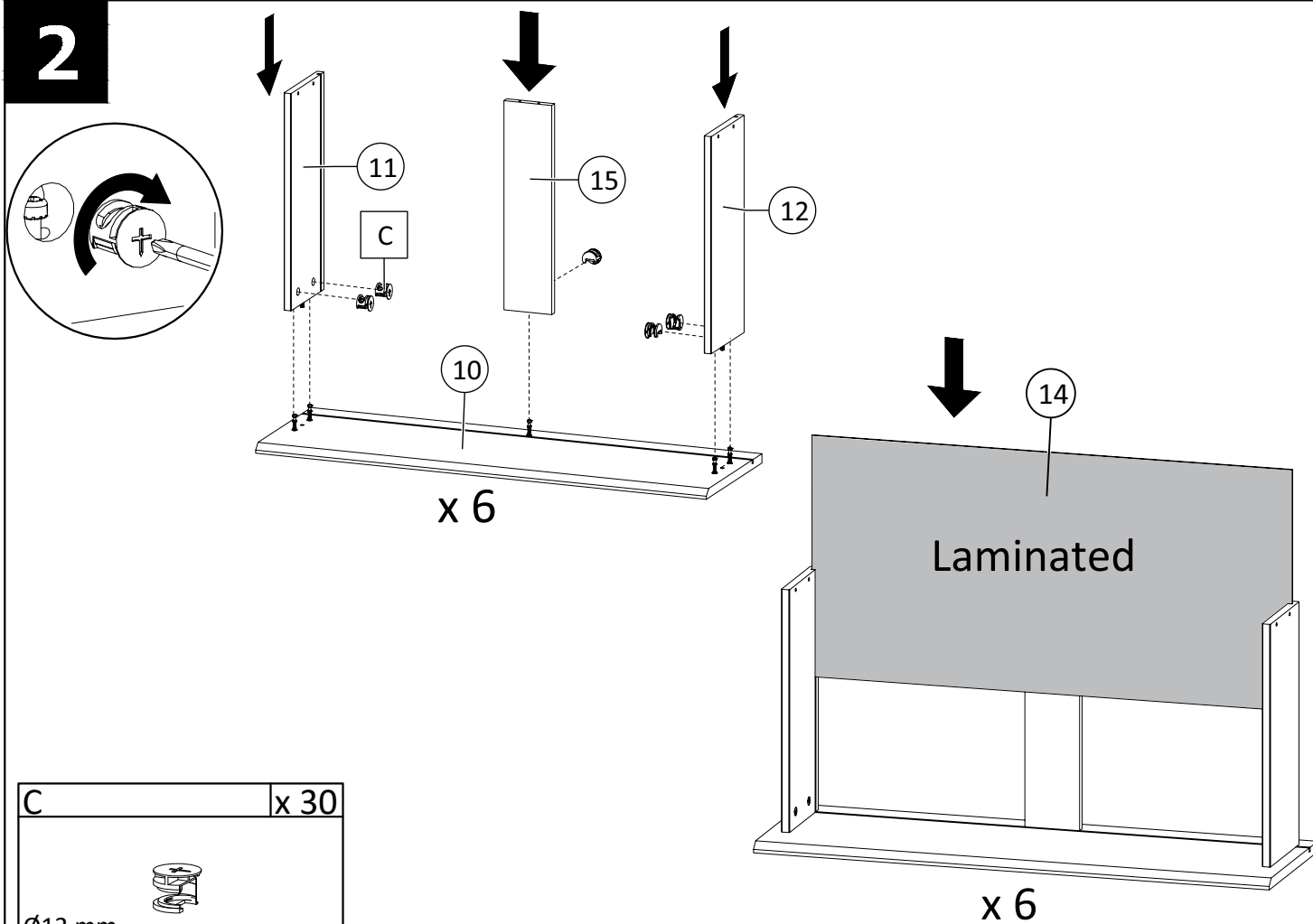
 <p>SET-UP TIME : 120 MINUTES</p>	 <p>NUMBER OF PERSONS : 02</p>	 <p>TOOLS :</p>
--	--	---


1



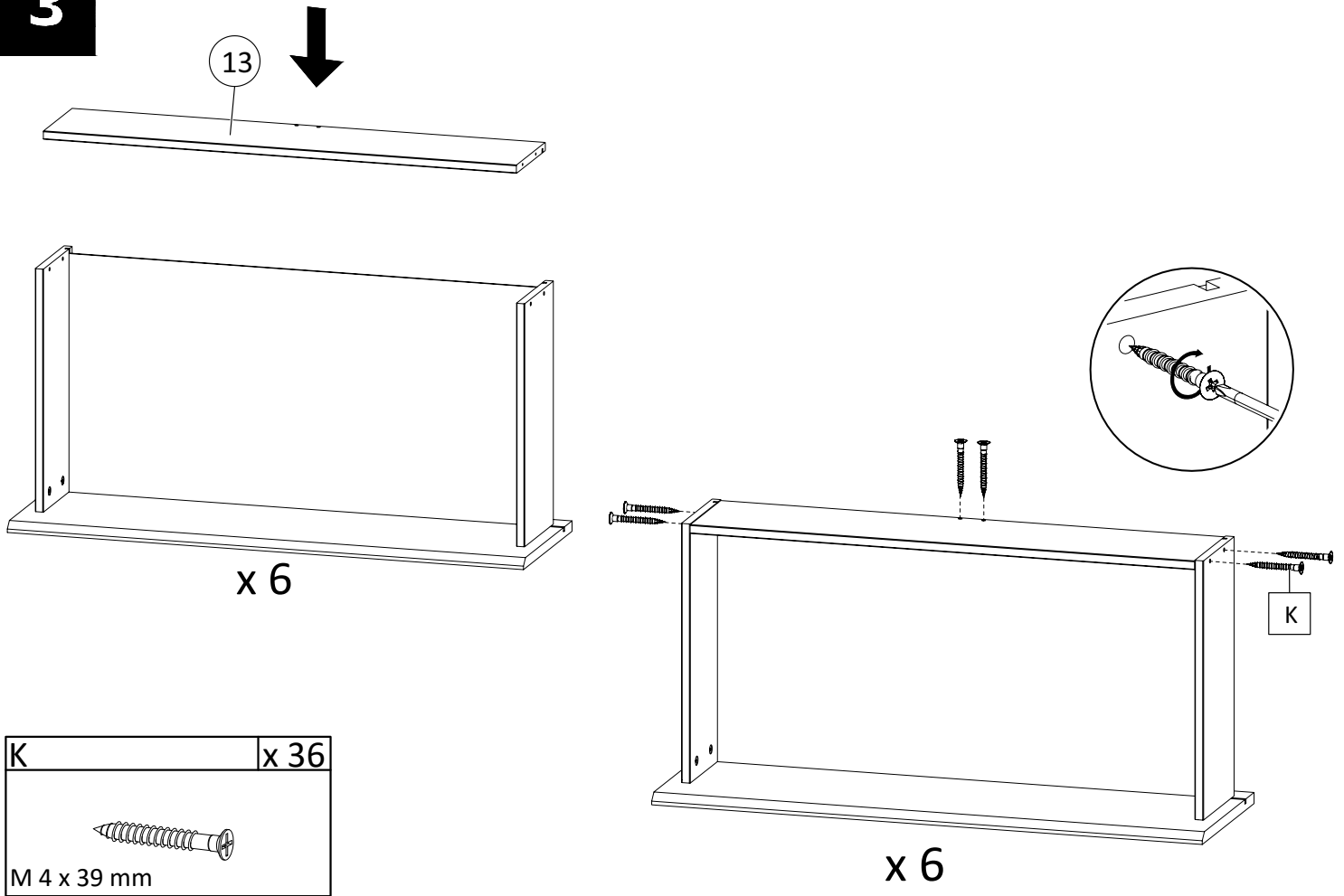
A	x 30	E	x 12
 $\text{\O}6 \times 35 \text{ mm}$		 $\text{\O}6 \times 30 \text{ mm}$	

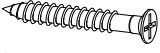
2



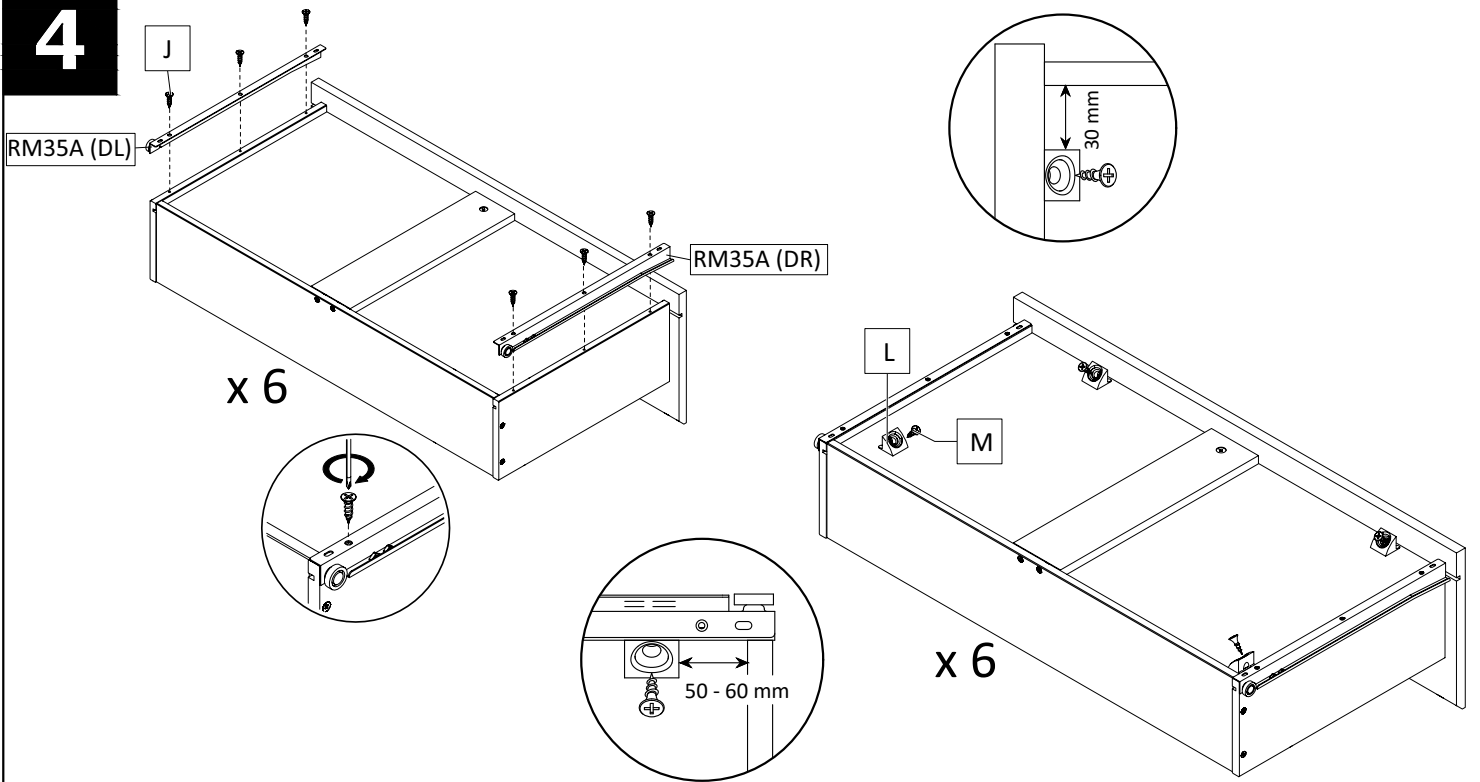
C	x 30
 $\text{\O}12 \text{ mm}$	


3

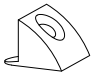



K	x 36
	
M 4 x 39 mm	

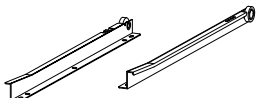
4



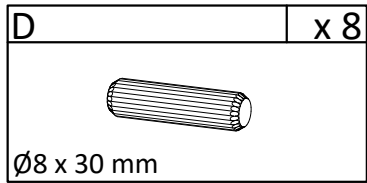
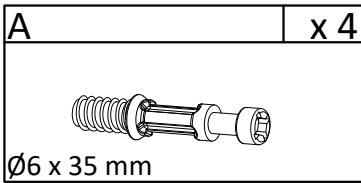
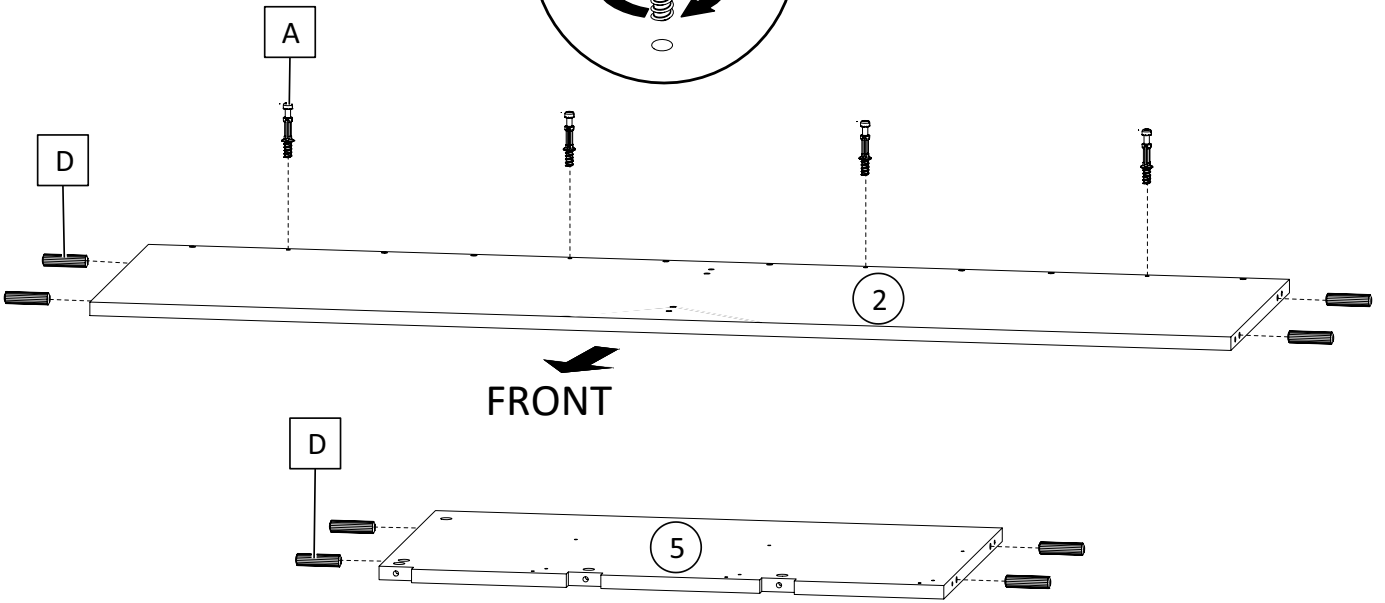
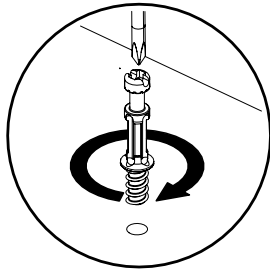
J	x 36
	
M 3.5 x 13 mm	

L	x 24
	

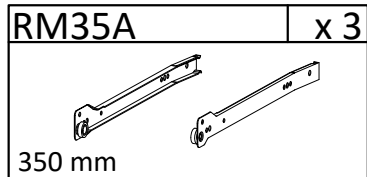
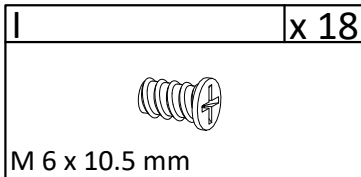
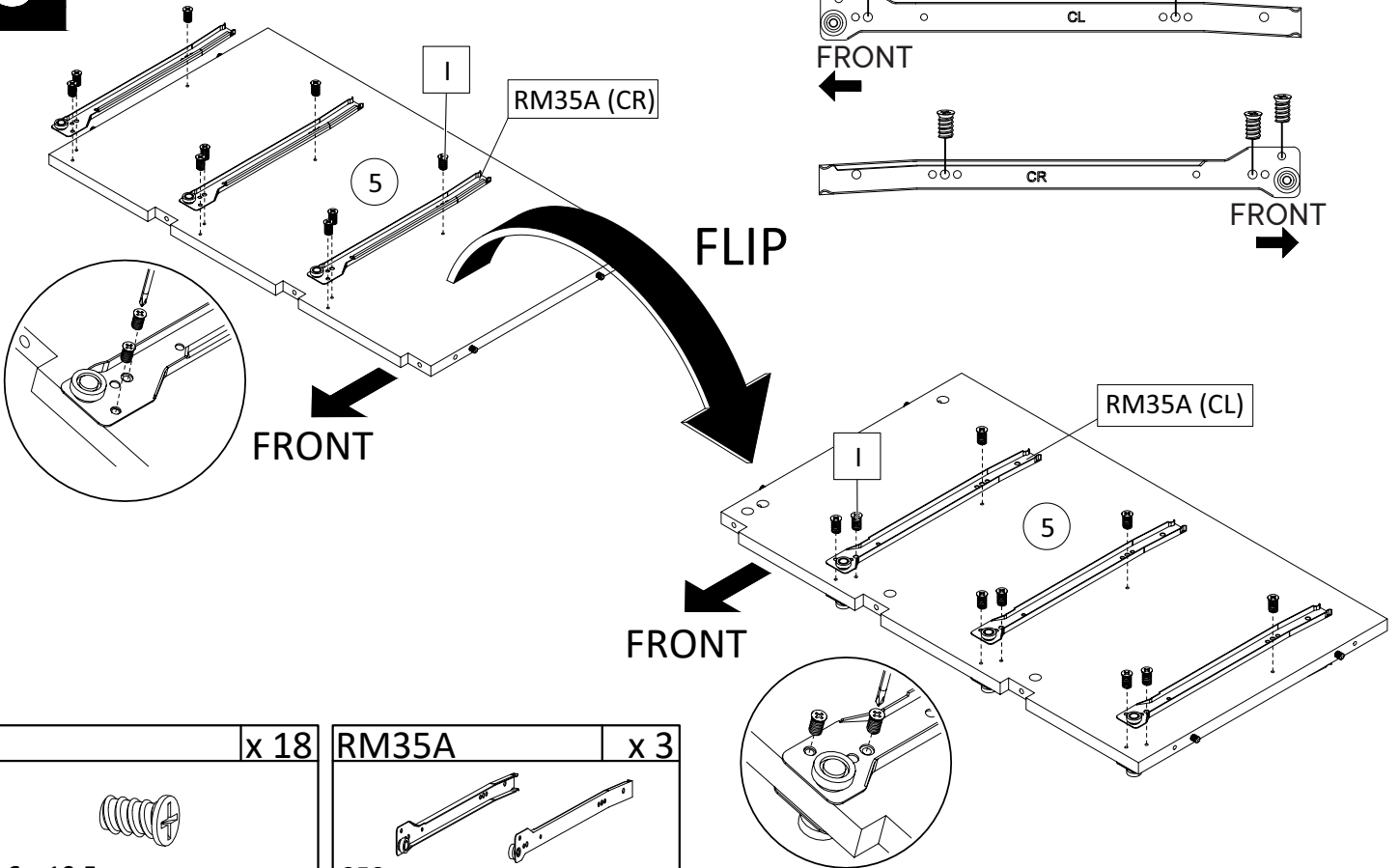
M	x 24
	
M 3.5 x 15.5 mm	

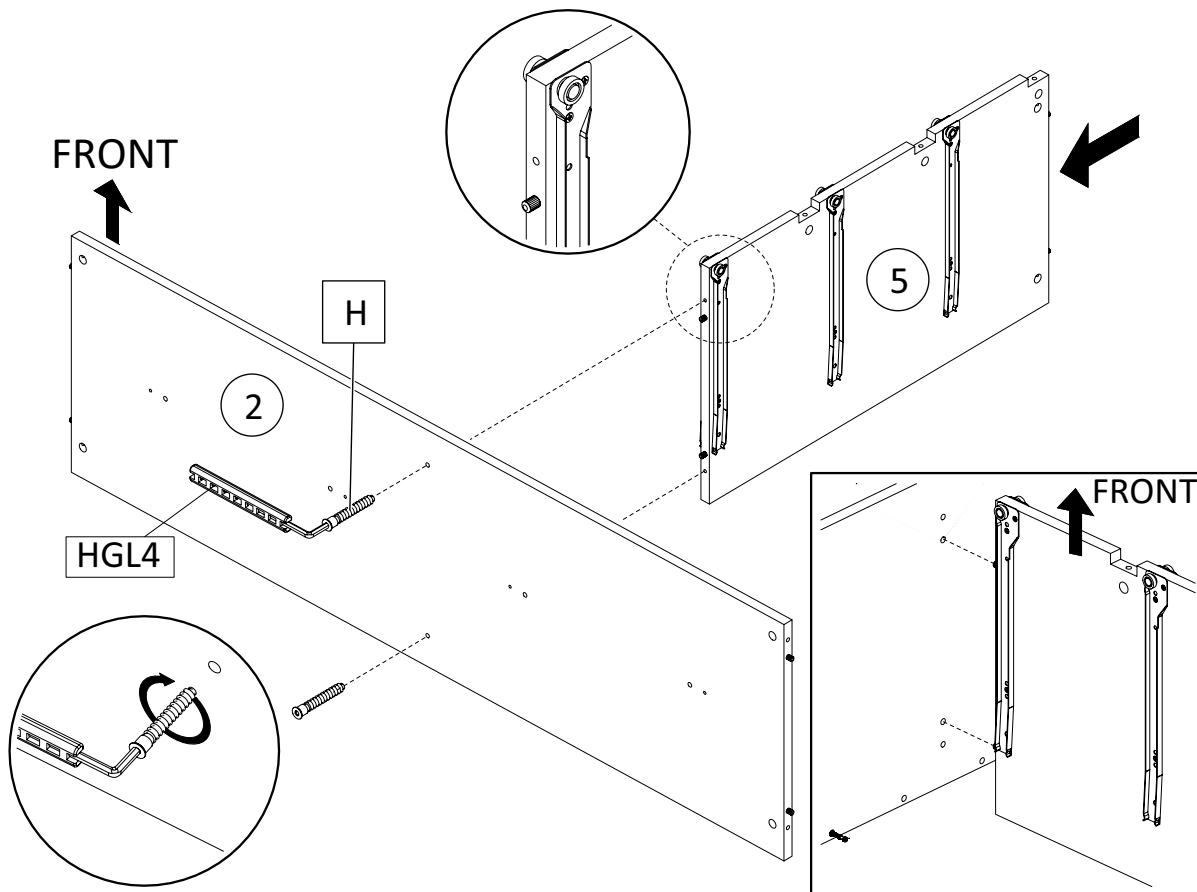
RM35A	x 6
	
350 mm	

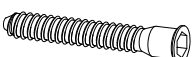

5

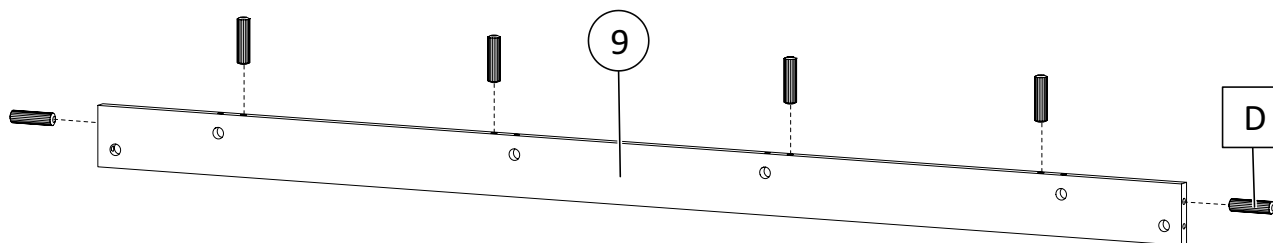



6



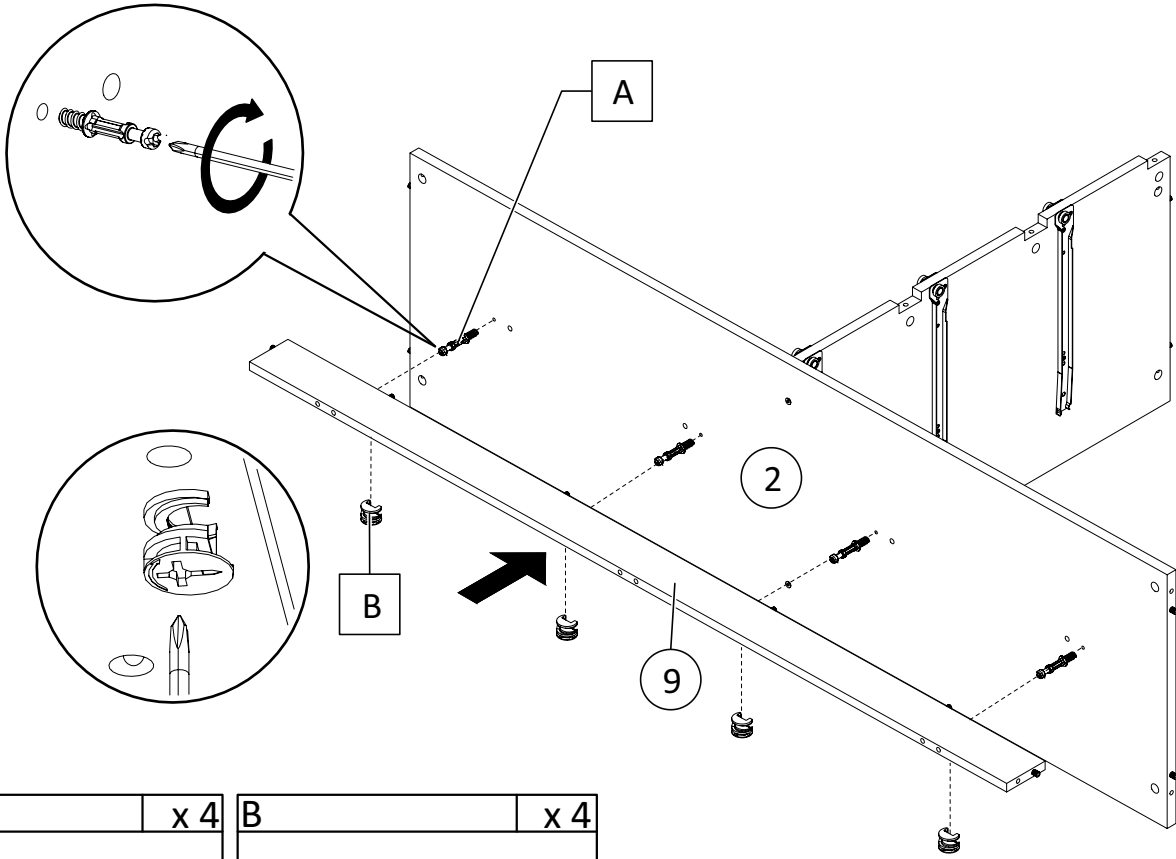
7

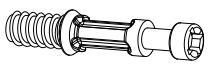
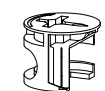
H	x 2	HGL4	x 1
 M 7 x 50 mm			

8

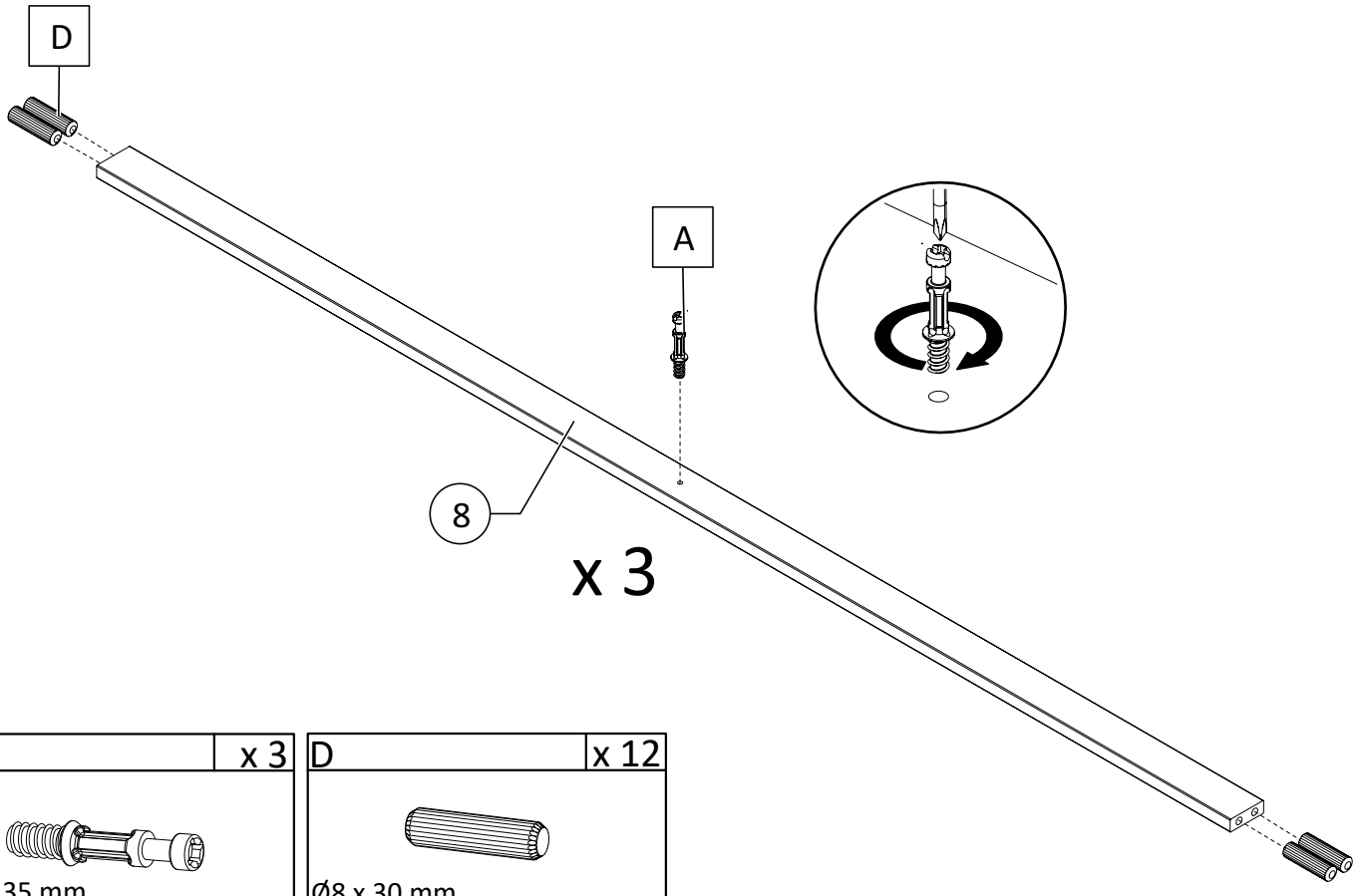
D	x 6
 Ø8 x 30 mm	

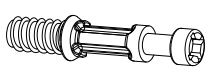

9



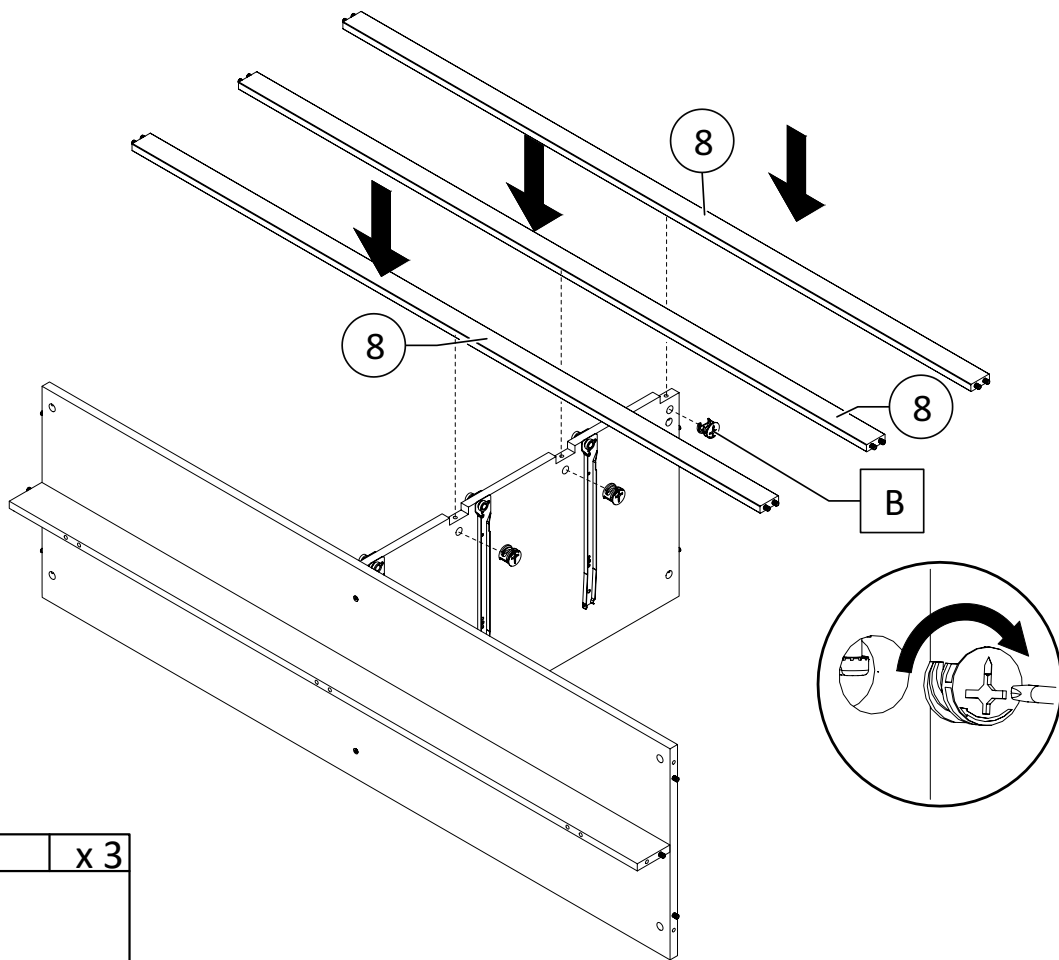
A	x 4	B	x 4
 $\varnothing 6 \times 35 \text{ mm}$		 $\varnothing 15 \text{ mm}$	

10



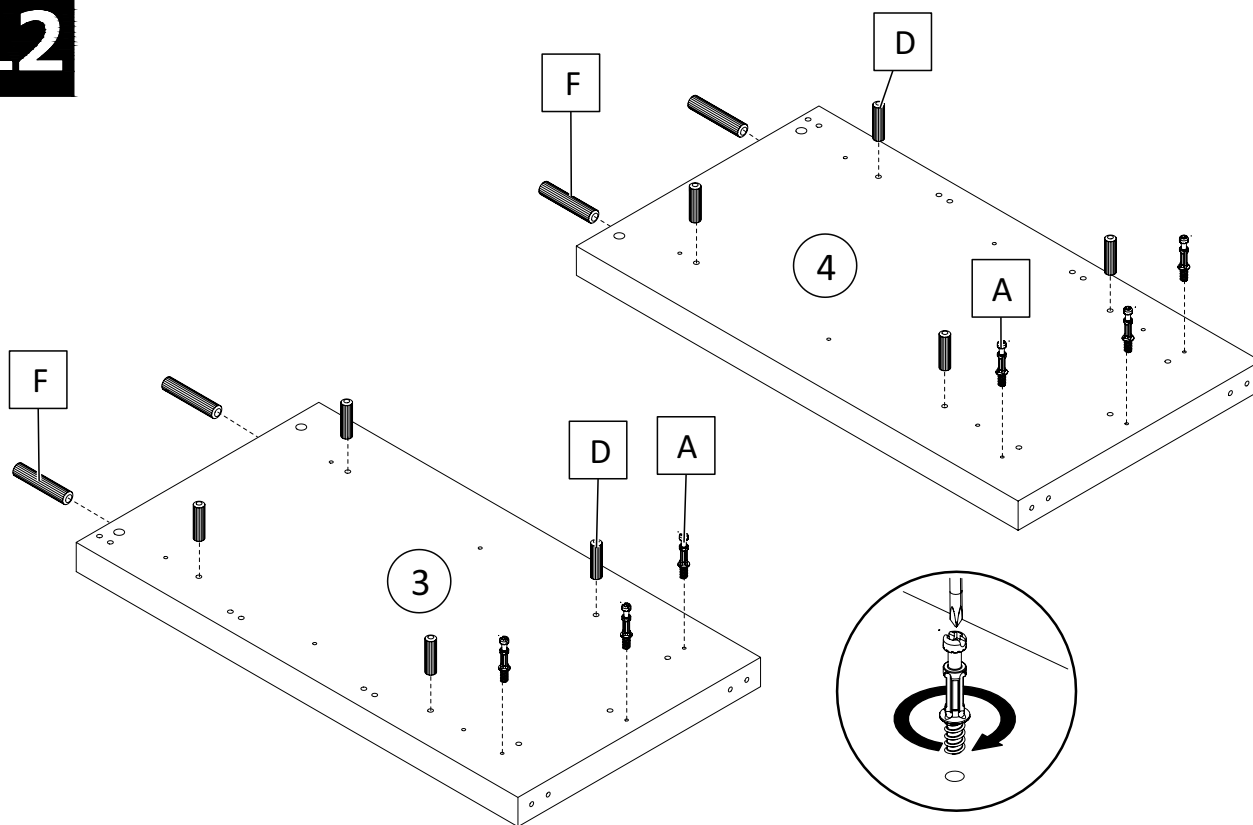
A	x 3	D	x 12
 $\varnothing 6 \times 35 \text{ mm}$		 $\varnothing 8 \times 30 \text{ mm}$	

11



B	x 3
<p>Ø15 mm</p>	

12

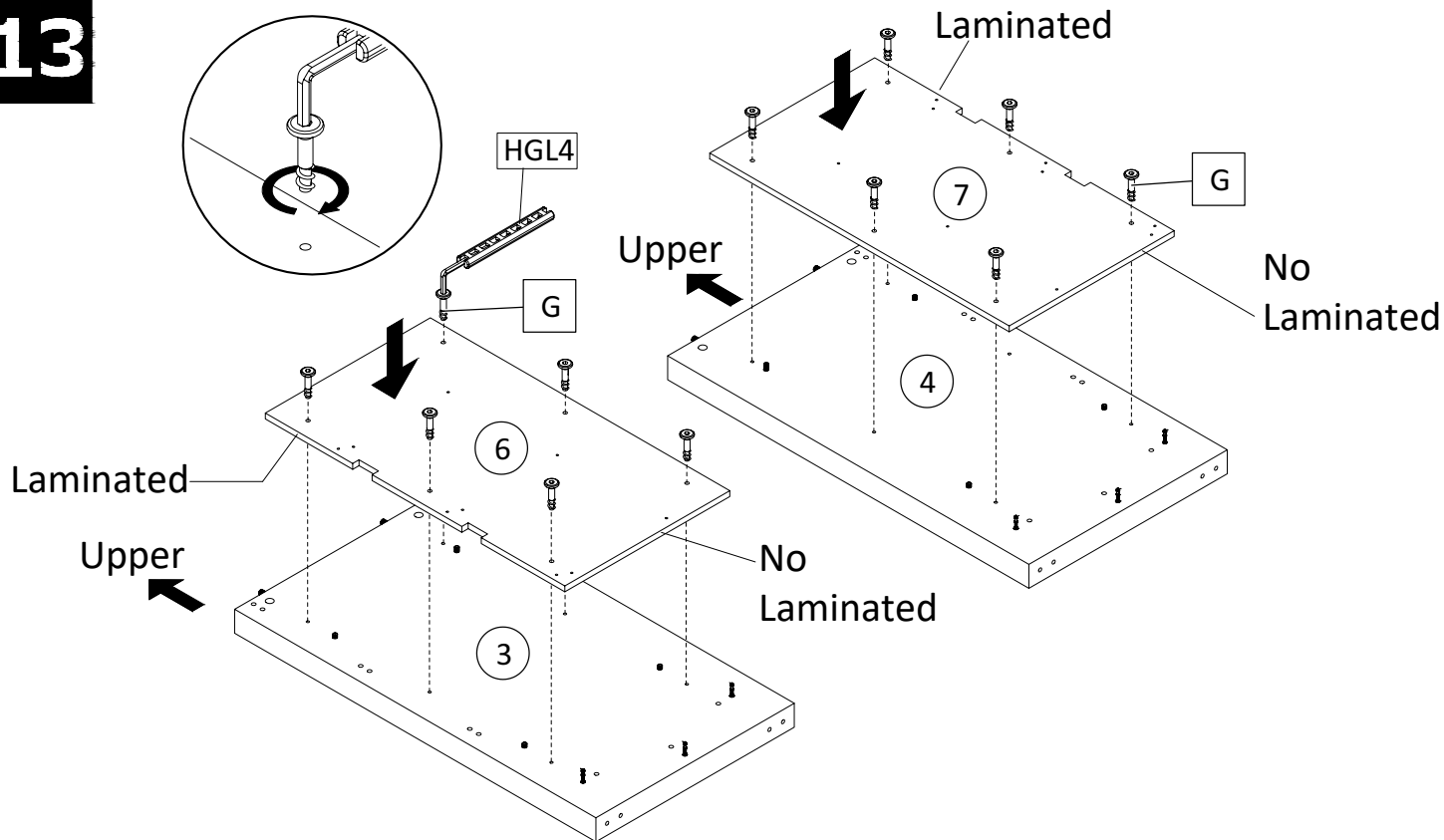


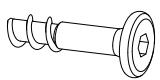
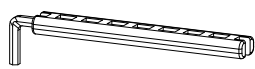
A	x 6
<p>Ø6 x 35 mm</p>	

D	x 8
<p>Ø8 x 30 mm</p>	

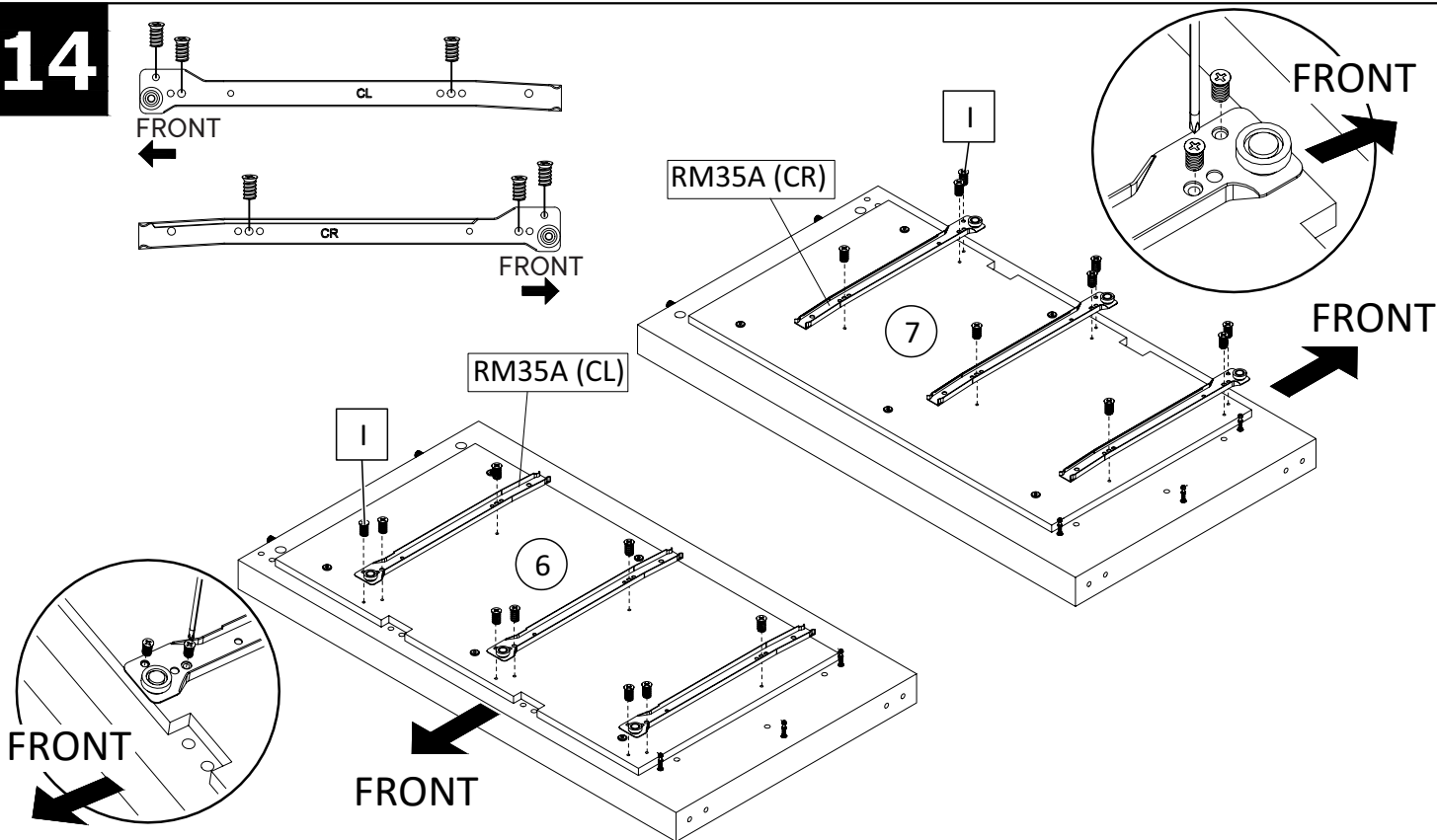
F	x 4
<p>Ø10 x 50 mm</p>	

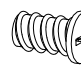
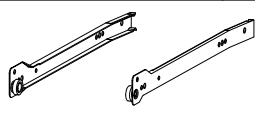
13



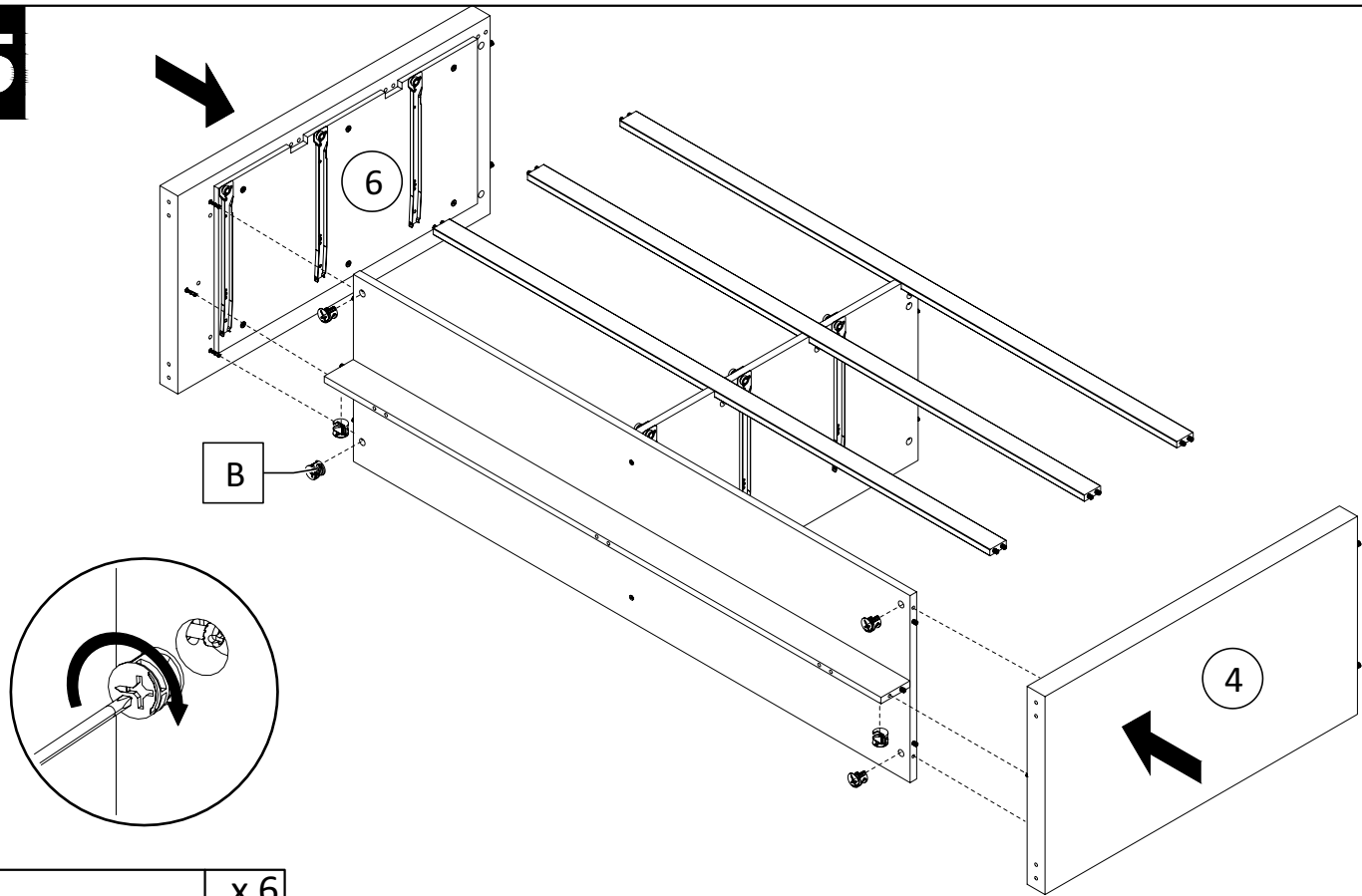
G	x 12	HGL4	x 1
 M 6.4 x 25 mm			

14

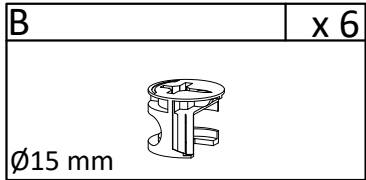
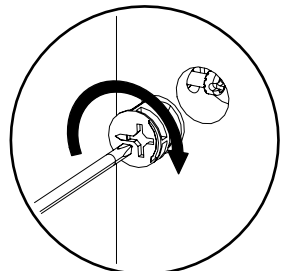


I	x 18	RM35A	x 3
 M 6 x 10.5 mm		 350 mm	

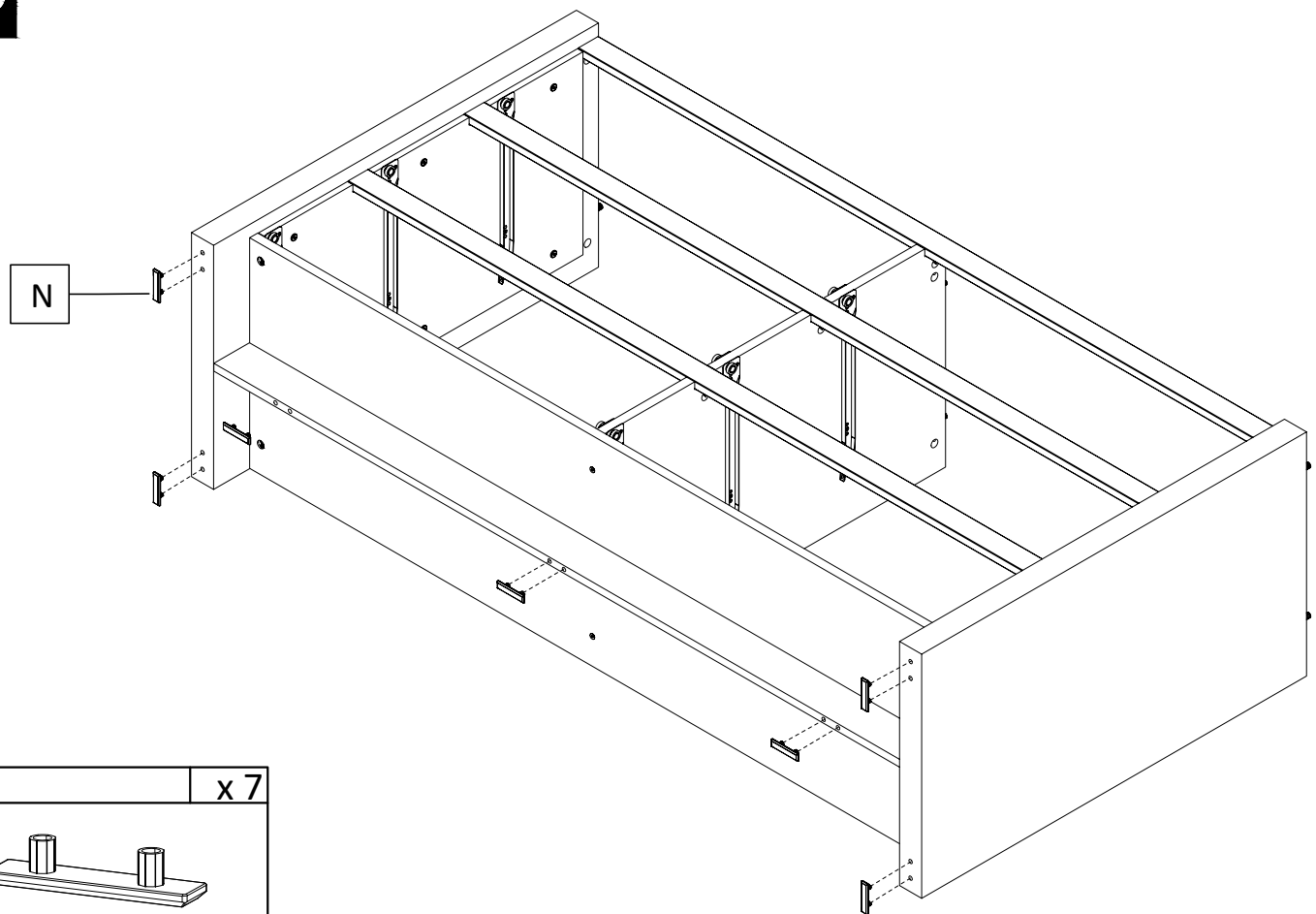
15



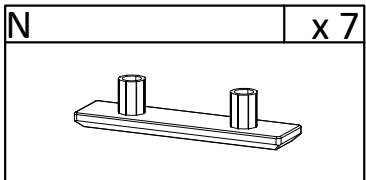
B



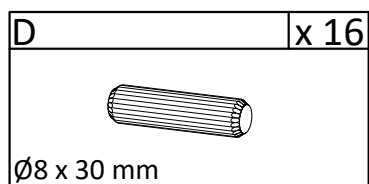
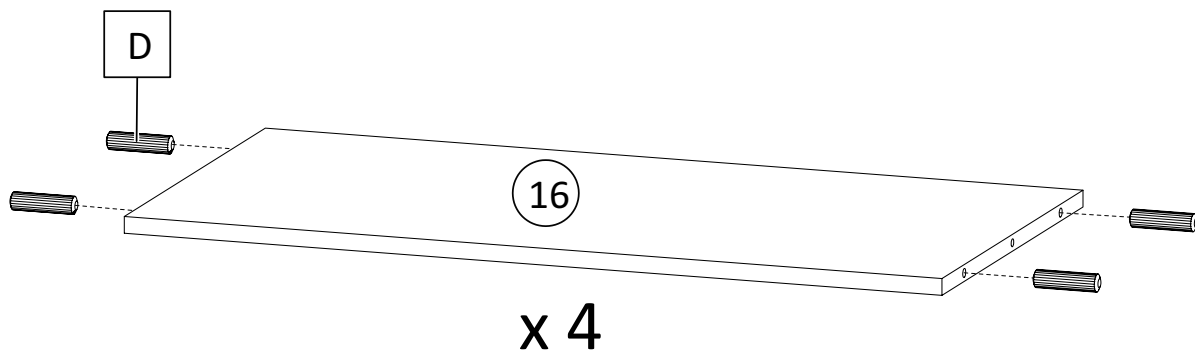
16



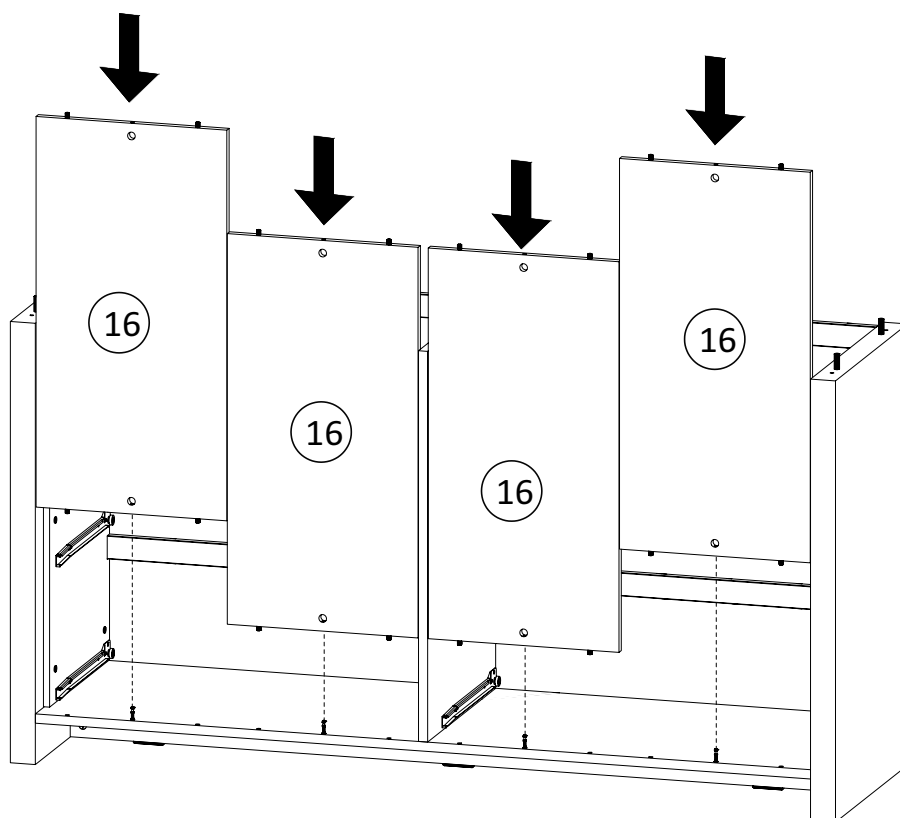
N



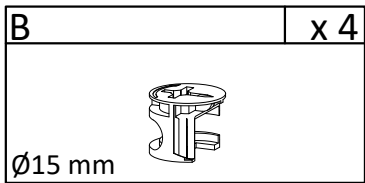
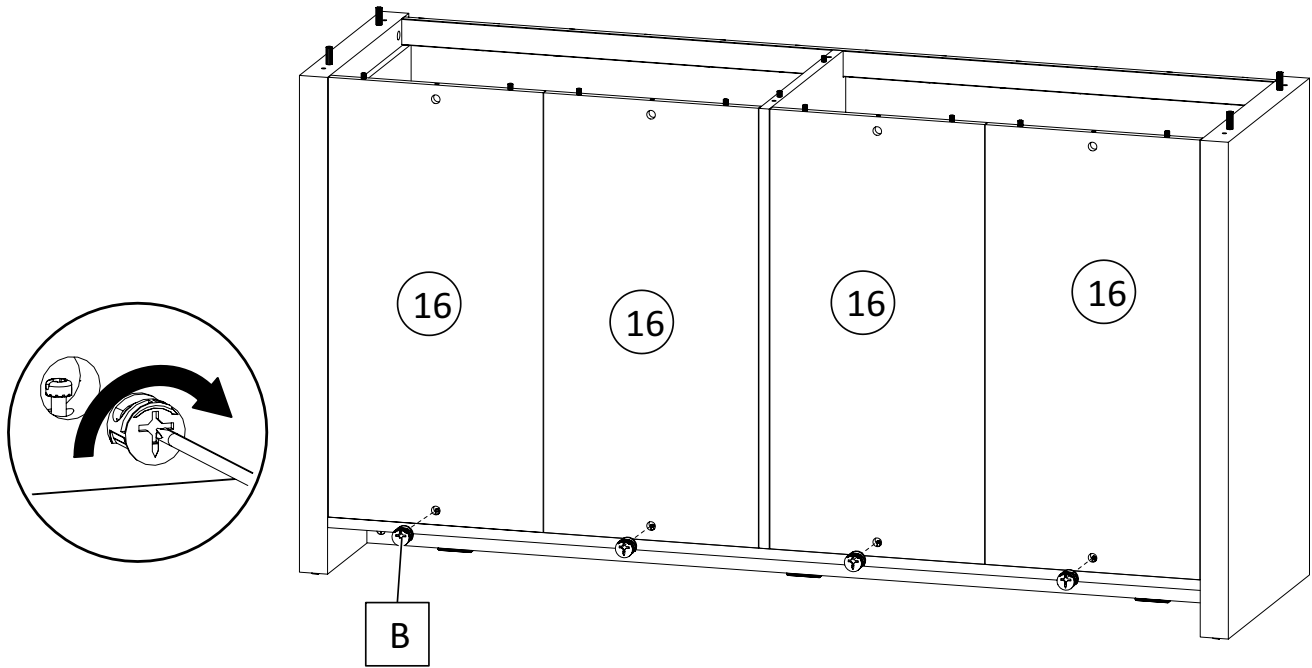
17



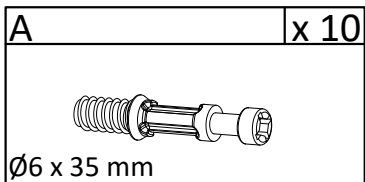
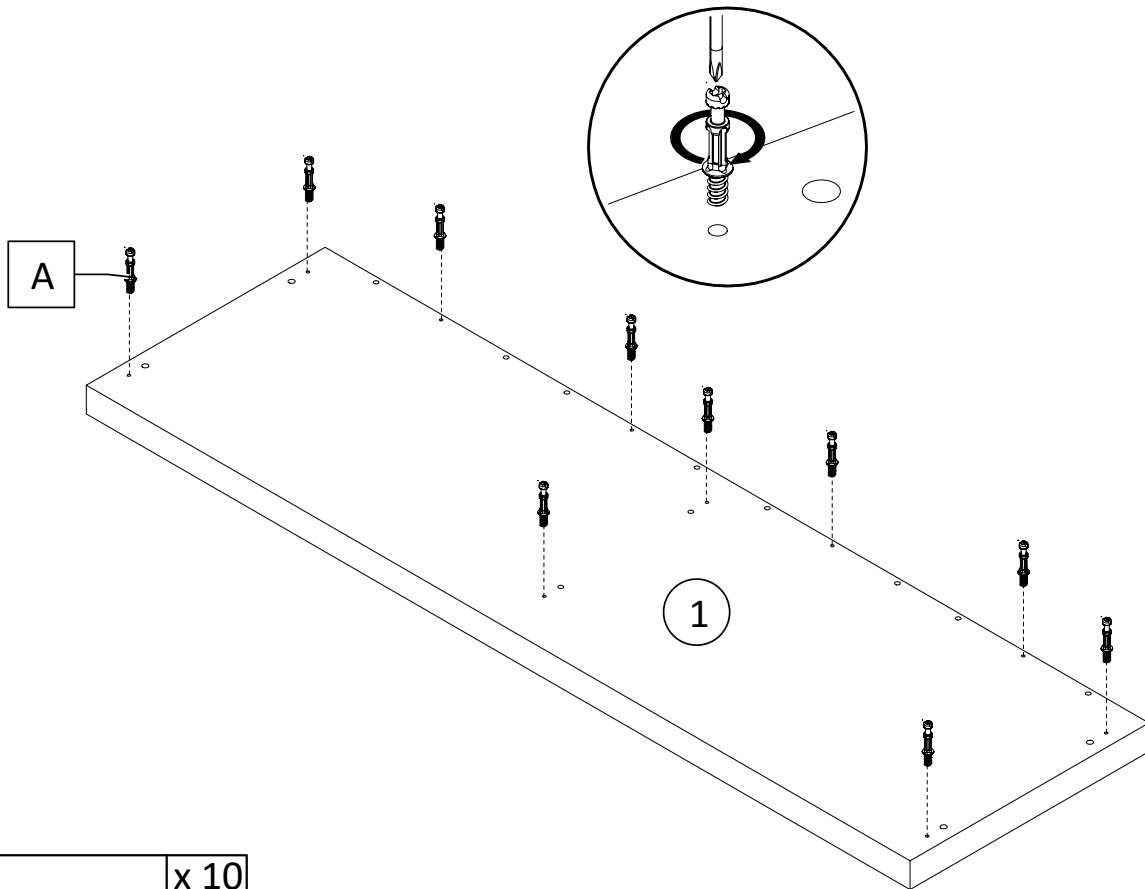
18



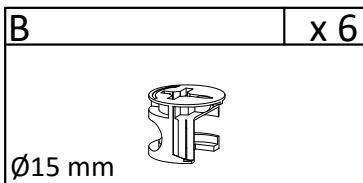
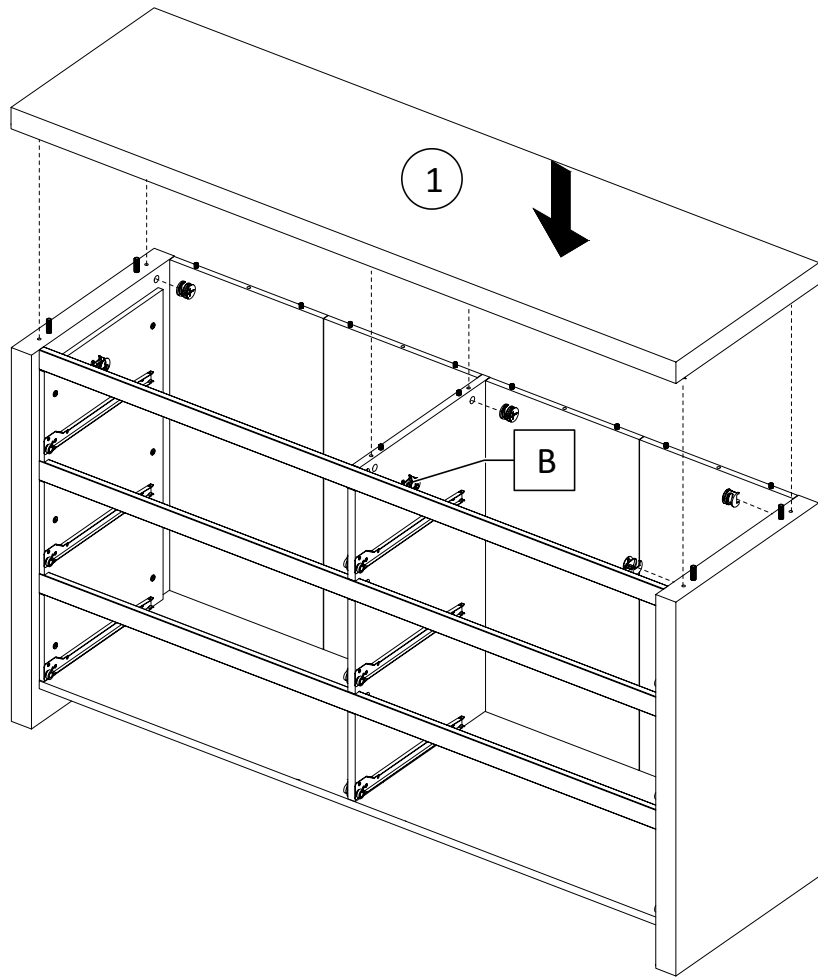
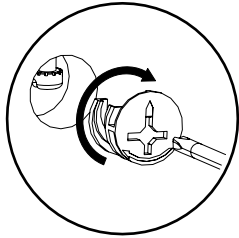
19



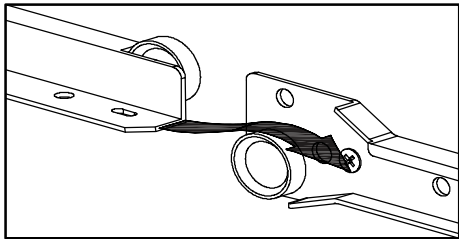
20



21

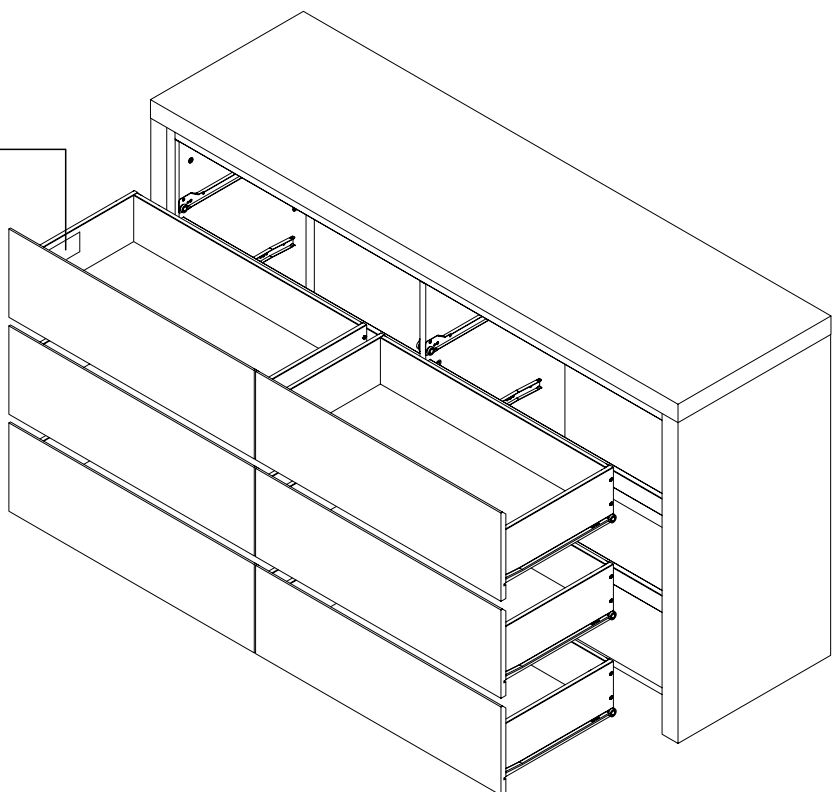


22

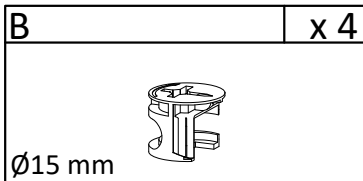
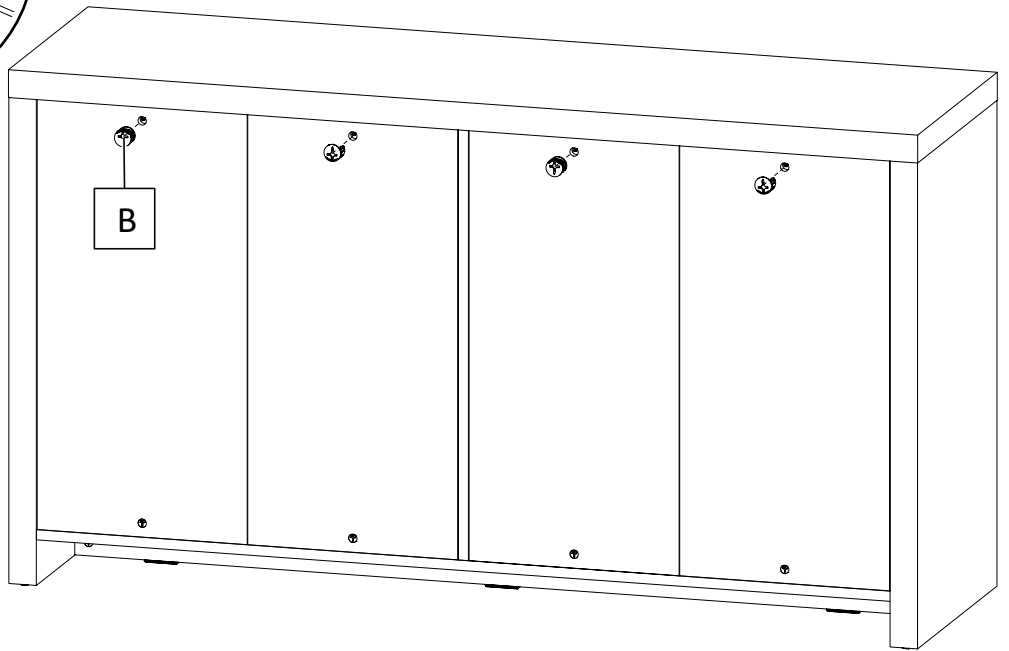
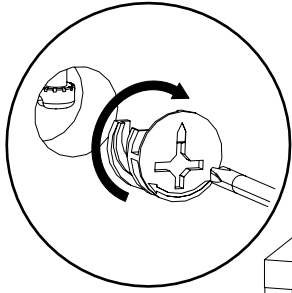


WARNING LABEL

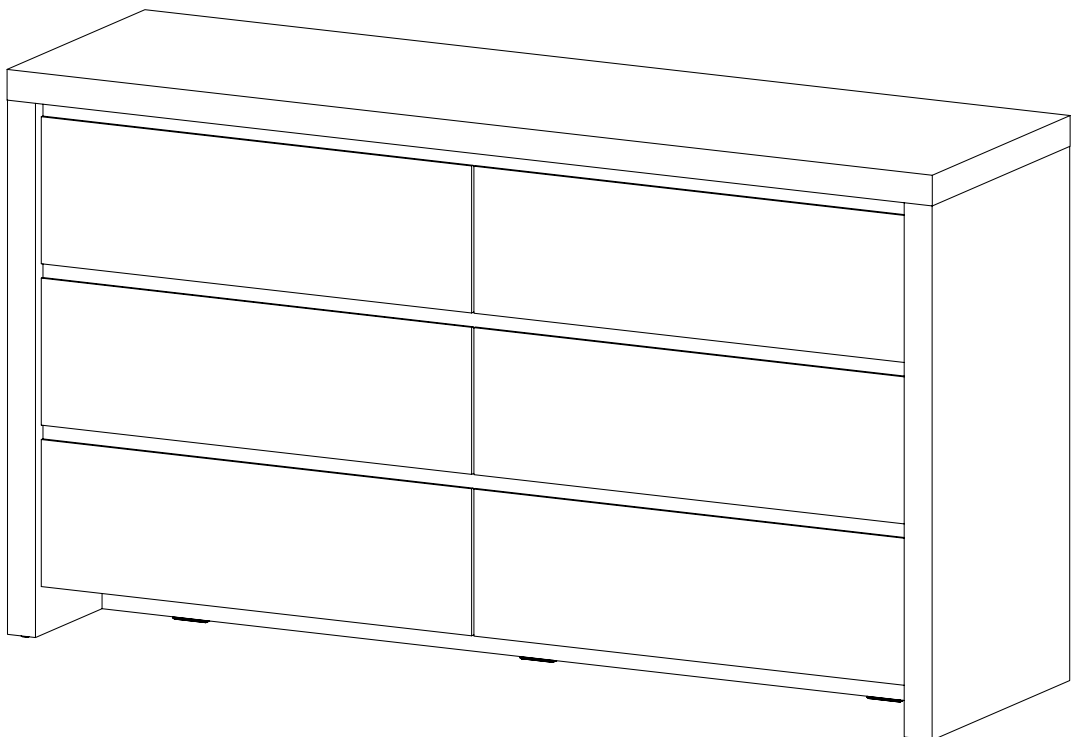
WARNING	
	<p>Children have died from furniture tipovers. To reduce the risk of furniture tipover:</p> <ul style="list-style-type: none"> -ALWAYS install Anti-tip device provided. -NEVER put a TV on this product. -NEVER allow children to stand, climb or hang on drawers, doors, or shelves. -NEVER open more than one drawer at a time. -Place heaviest items in the lowest drawers. <p><i>This is a permanent label. Do not remove!</i></p>



23



24

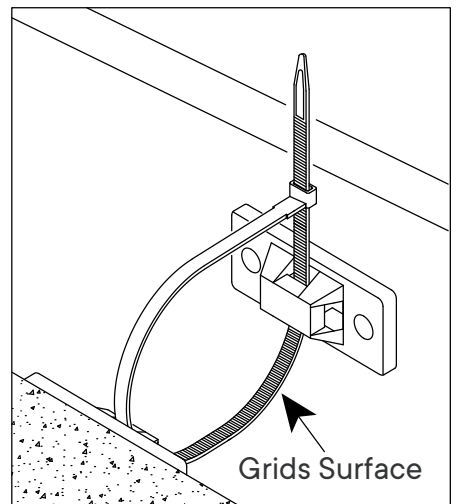
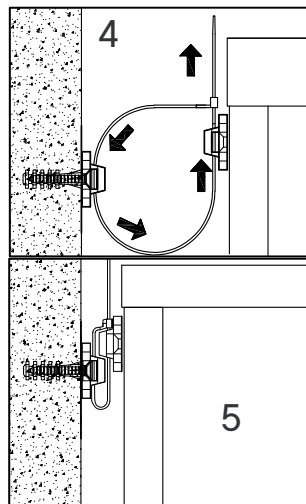
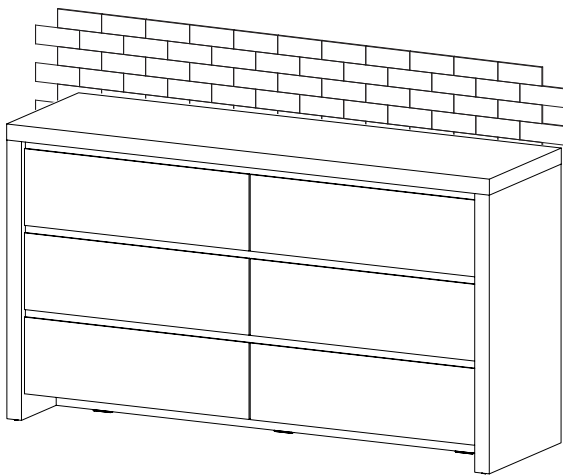
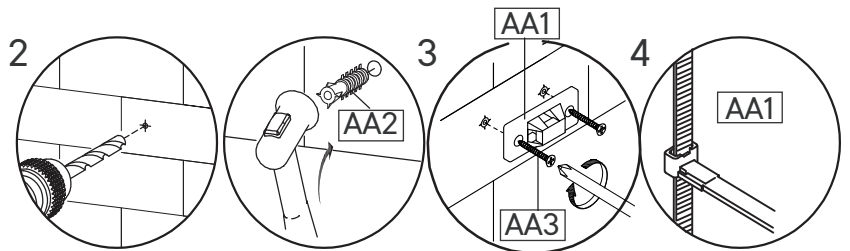
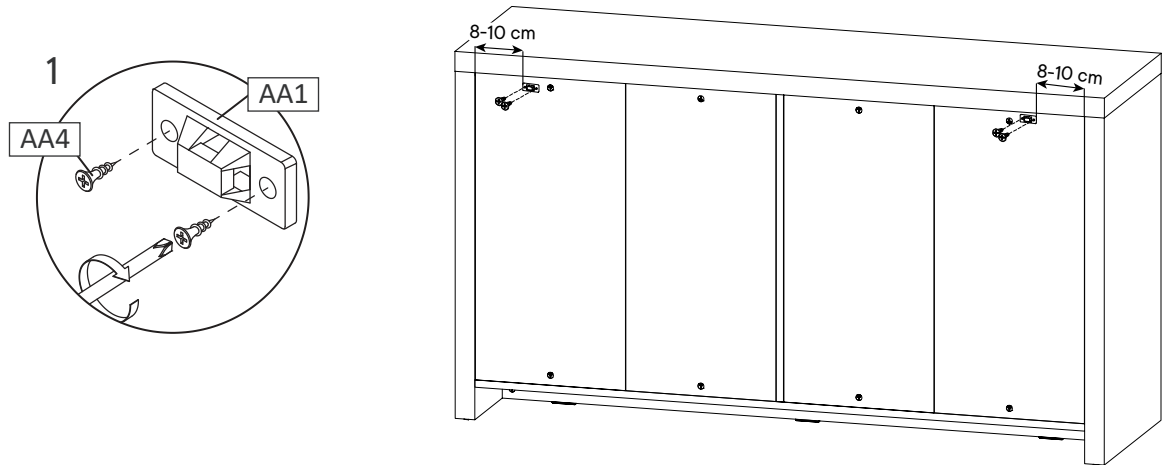
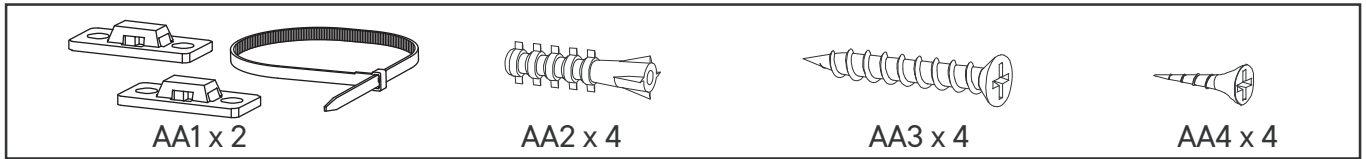


TIPPING RESTRAINTS KIT INSTALLATION GUIDANCE

Different wall materials require unique wall fasteners.

The wall plugs (AA2) and screws (AA3) are designed for fixing to concrete walls only.

Please consult your local hardware store to ensure you are using the correct hardware for you wall type.



Installation Instructions :

1. Attach bracket (AA1) securely to the back top of the furniture using screw (AA4) provided. Allow 8 - 10 cm from each side.
2. Please make a hole for wall plugs position on the wall and minimum 15 mm below bracket secured to the back of unit attach the wall plugs (AA2).
3. Locate the other bracket (AA1) on the wall over wall plugs (AA2). Place furniture into position so both brackets (AA1) are vertically in the line.
4. Lace the end of the restraints strap through the larger hole in each bracket. Ensure the restraints strap with grids surface facing the inner loops. Bring both ends together and slide the flat end through the locking end and draw it through until all slack is removed.
5. Make sure that the strap is securely laced & locked.