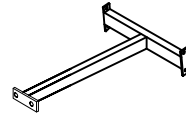


Bar sidechair



A: 1PCS



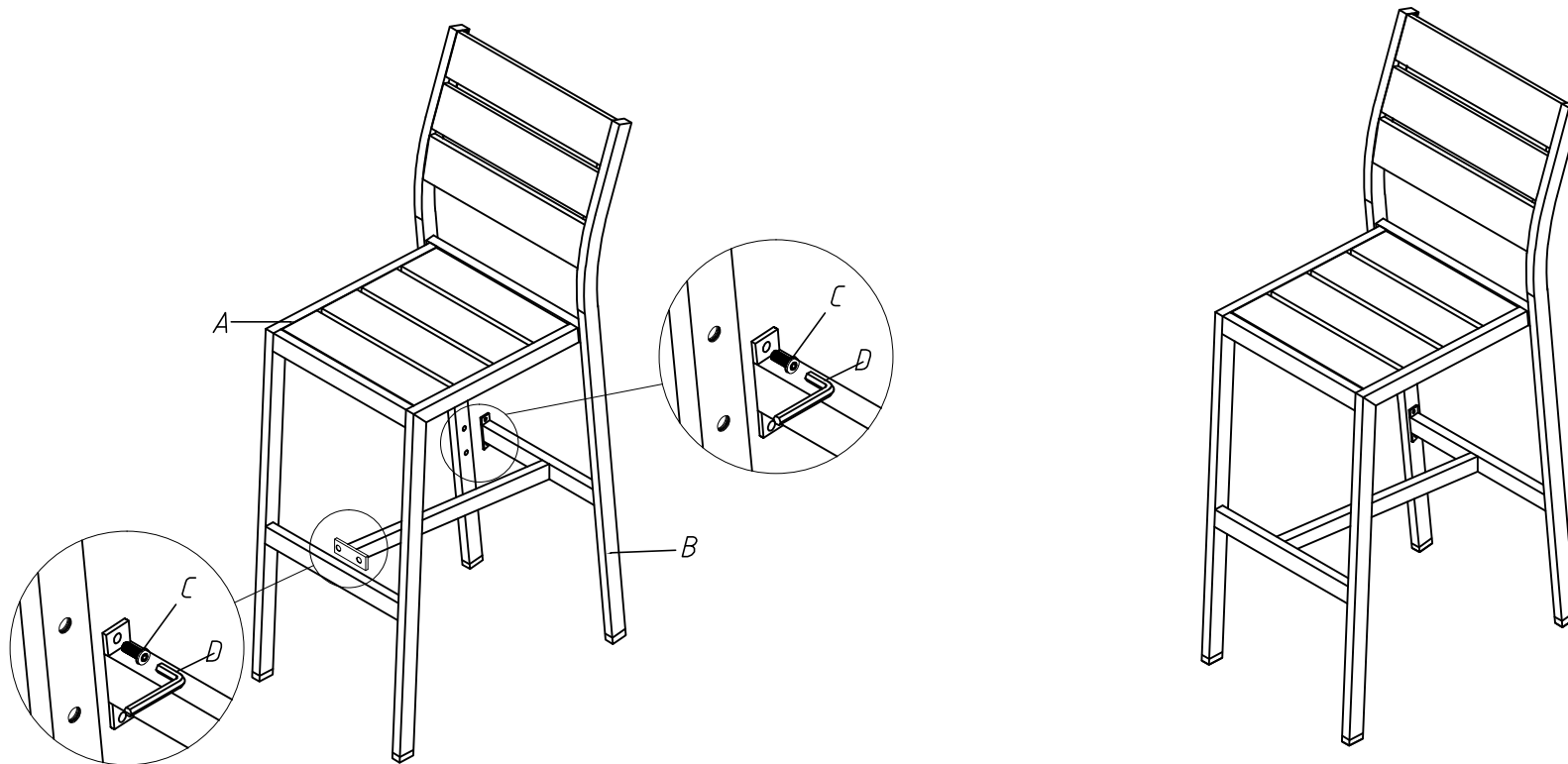
B: 1PCS



C: M6*20*6PCS



D: 4MM*1PCS



Please assemble all components firstly, then tightly fix all screws.