



SAFETY AND
CARE ADVICE



NO POWER TOOLS

SAFETY AND CARE ADVICE

- Only clean using a damp cloth and mild detergent, do not use bleach or abrasive cleaners.
- From time to time check that there are no loose screws on this unit
- This product should not be discarded with household waste. Take to your local authority waste disposal centre

IMPORTANT INFORMATION



30 MINUTE
BUILD

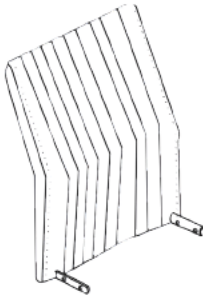


ONE
PERSON



MAXIMUM
CAPACITY 130Kg

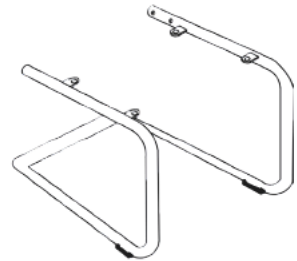
PLEASE CHECK CAREFULLY AND MAKE SURE YOU HAVE ALL FITTINGS AND TOOLS LISTED BELOW BEFORE YOU START.



1 Back rest x 1



3 Seat pad x 1



2 Leg frame x 1



A
M8x20mm
Allen Screw X4



B
M8x22mm
Metal Washer X4



C
M6x20mm
Allen Screw X4



D
M6x16mm
Metal Washer X4



E
M6 mm Allen Key X1



F
M4 mm Allen Key X1



G
M8x12mm
Spring Washer X4

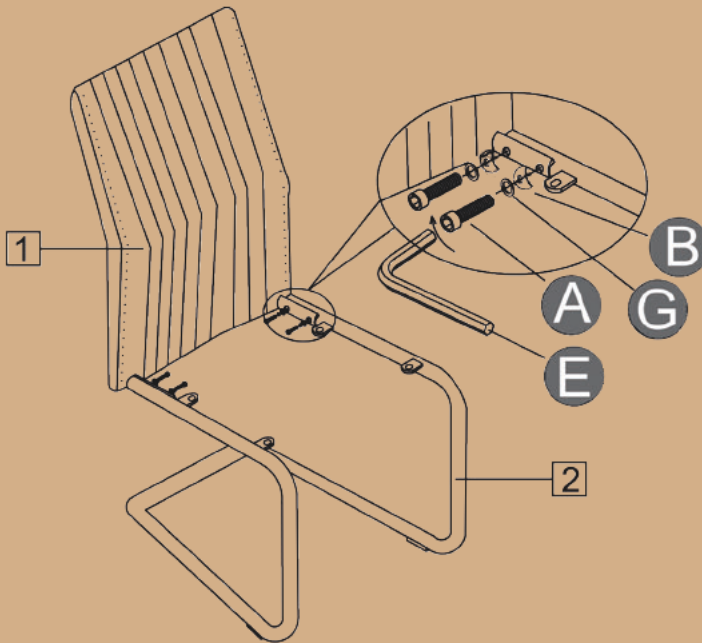


H
M6x10mm
Spring Washer X4

NOTE: The quantities above are the correct amount to complete the assembly. In some cases more fittings may be supplied than are required.

STEP 1

Place the leg frame [2] on the floor
Insert backrest [1] into the leg frame [2]
Using fixings (A), (B) & (G) tighten the
backrest onto the legs.



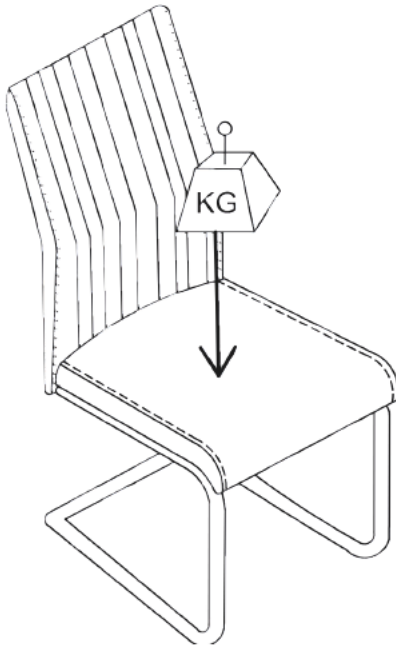
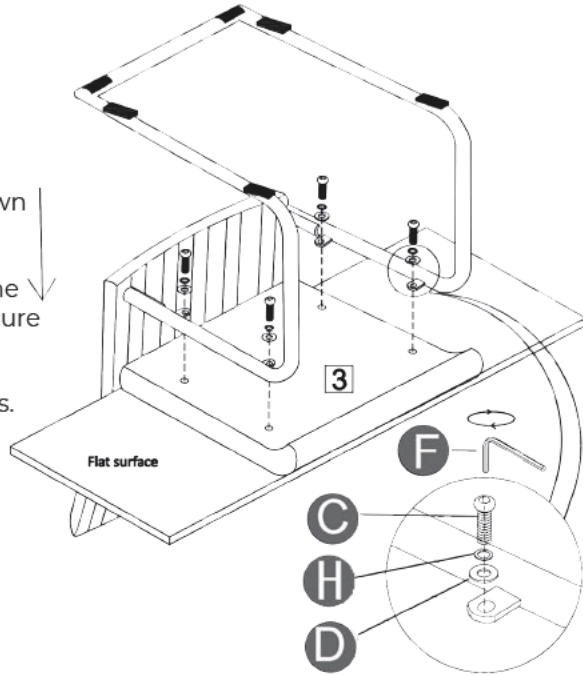
STEP 2

Attaching Seat Pad

Place seat pad [3] upside down onto a clear flat surface.

Carefully align the chair frame onto the seat pad [3] and secure using fixings (C), (D) & (H).

Repeat assembly on all chairs.



STEP 3

ATTENTION: While sitting on the chair, fully tighten all the fixings to complete assembly. Your chair is now ready to use.



OUR 1 YEAR GUARANTEE

our products come with a 1 year guarantee to give you peace of mind shopping at Furniturebox



WHAT THE GUARANTEE COVERS



PRE-INSERTED FIXINGS
e.g. lose metal threads



FAULTY JOINTS
e.g. legs bending



EXTERNAL FIXING FAULTS
e.g. metal discs removing
from table top



STRUCTURAL INTEGRITY
e.g. the frame of the
product