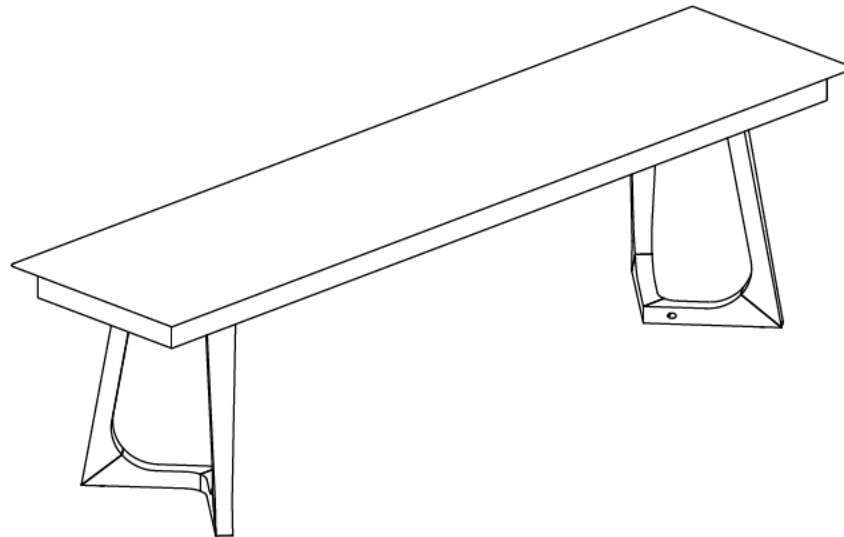


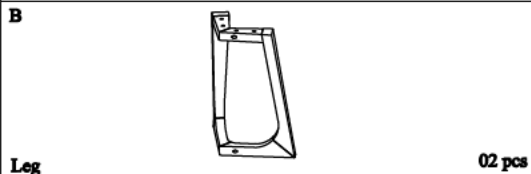
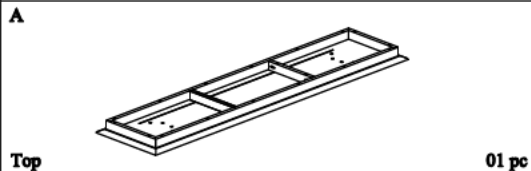
ASSEMBLY INSTRUCTIONS.







THANK YOU FOR YOUR PURCHASE!

PARTS AND HARDWARE.

PARTS LIST



HARDWARE LIST

| | |
|---|---|
| 1. Bolt | 2. Lock Washer |
|  |  |
| M6*35 mm 08 pcs | Ø6.5*11 mm 08 pcs |
| 3. Flat Washer | 4. Allen key |
|  |  |
| Ø6.5*16 mm 08 pcs | M4 01 pc |

NOTES.

Thank you for purchasing this quality product! Be sure to check all packing material carefully for small part that may have come loose inside the carton during shipping.

CAUTION:

This item is packed in 2 cartons. The item is heavy, assembly should be performed by two people.

STEP 1.

