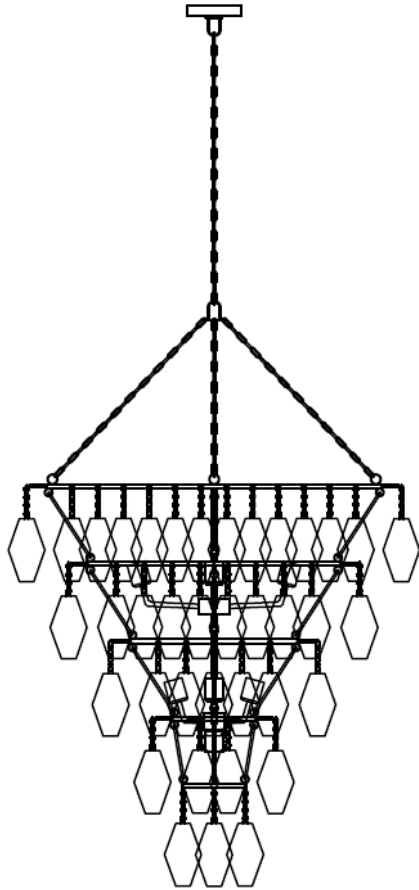


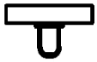


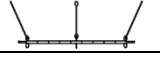


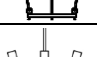
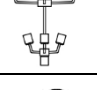


ASSEMBLY INSTRUCTIONS

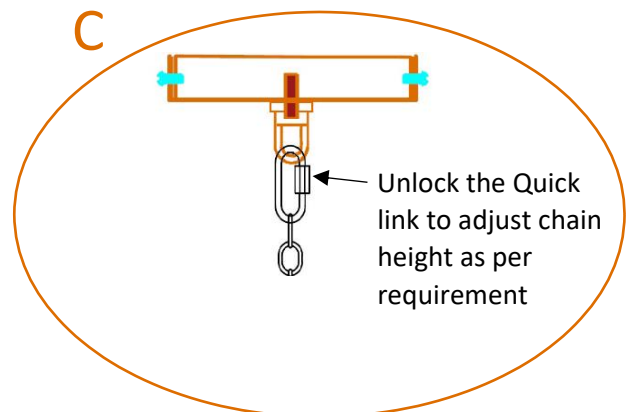
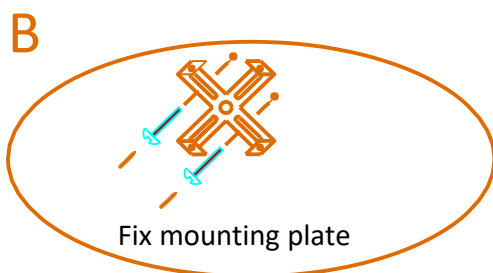
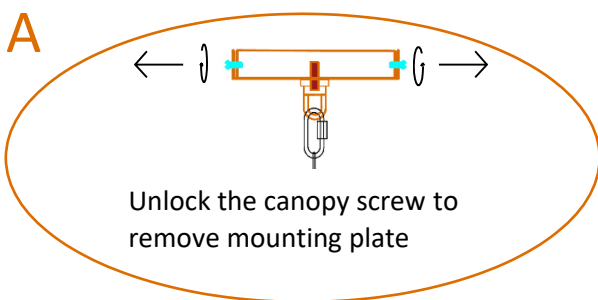
ADELINE LARGE ROUND CHANDELIER

Thank for your purchasing this quality product. Be sure to check all packing material carefully for small parts which may have come loose inside the carton during shipment. Identify and count all parts and compare with the parts list below.



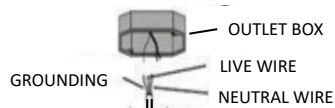
HARDWARE LIST

A		CANOPY	01
B		MOUNTING PLATE	01
C		1 st TIER RING WITH CHAIN	01
D		2 nd TIER RING	01
E		3 rd TIER RING	01
F		4 th TIRE RING	01
G		5 th TIRE RING	01
H		MOUNTING SPIDER WITH BALL FINIAL	01
I		BULB (NOT INCLUDED)	10
J		GLASS PIECES	78+4

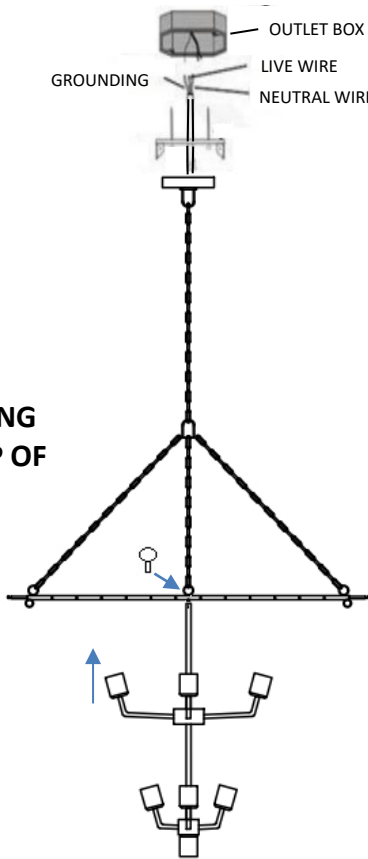


ASSEMBLY INSTRUCTIONS

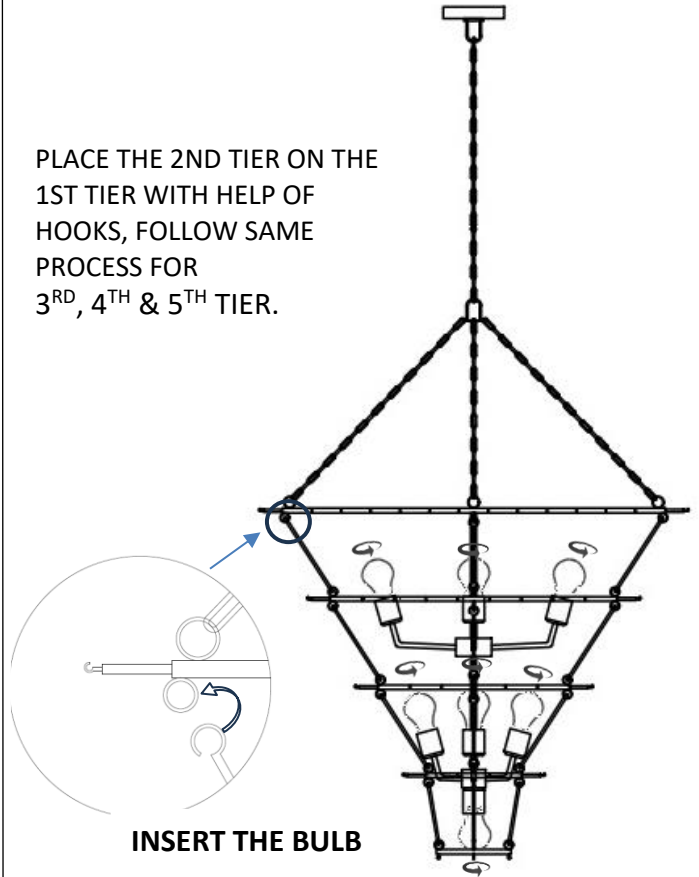
ADELINE LARGE ROUND CHANDELIER



TIGHTEN MOUNTING SPIDER WITH HELP OF BALL FINIAL

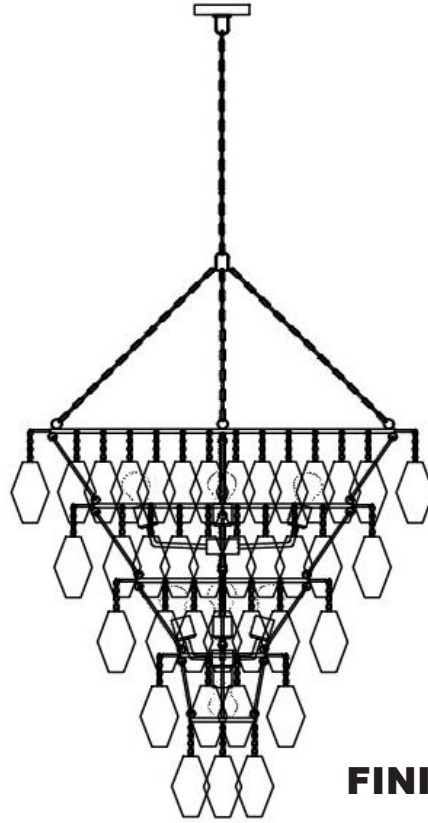
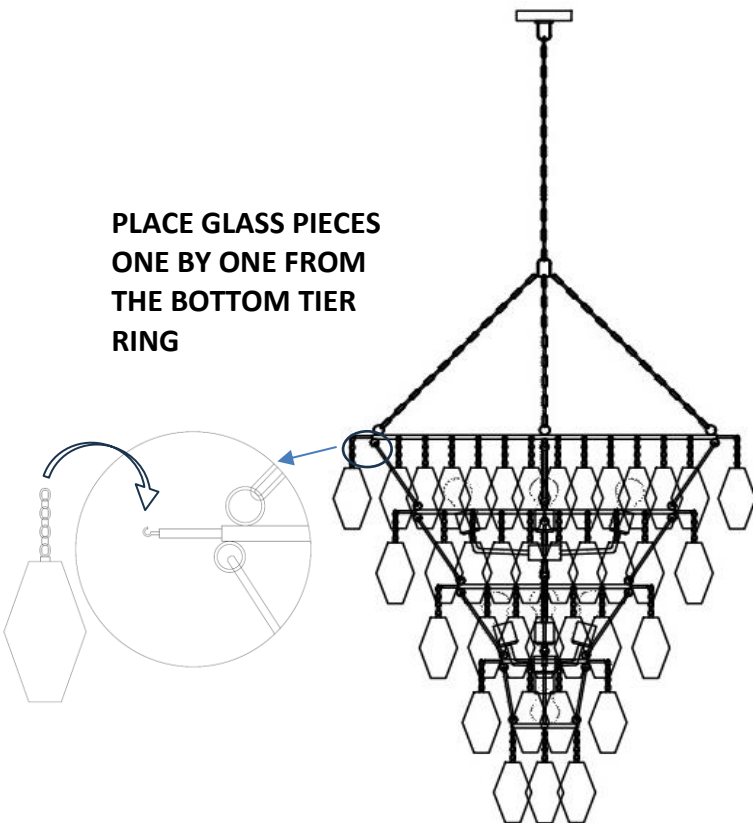


PLACE THE 2ND TIER ON THE 1ST TIER WITH HELP OF HOOKS, FOLLOW SAME PROCESS FOR 3RD, 4TH & 5TH TIER.



INSERT THE BULB

PLACE GLASS PIECES ONE BY ONE FROM THE BOTTOM TIER RING



FINISHED

ASSEMBLY INSTRUCTIONS

ADELINE LARGE ROUND CHANDELIER

WIRING CONNECTIONS

1. Shut down the power at the breaker panel.
2. Connect wires:
 - Ground wire: Connect fixture ground wire (green) to supply ground wire
 - Neutral wire: Connect fixture neutral wire (white) to supply neutral wire
 - Hot wire: Connect fixture hot wire (black) to supply hot wire
3. Make sure all connections are tight, then carefully tuck into the junction box

IMPORTANT SAFETY INSTRUCTIONS

Use an authorized and certified electrician for consultation and installation. Electrician must be familiar with commercial-type applications of chandeliers.

It is recommended to use 10 Type B bulb maximum 40 watt standard Bulb

WARNINGS

When unpacking, be careful not to pull wires, as a bad connection may result. Do not connect electricity until your fixture is fully assembled. Do not touch or look directly at the Bulb when fixture is illuminated. Keep flammable materials away from lit Bulb.

THIS PRODUCT IS NOT A TOY AND HAS NO PLAY VALUE.

STRANGULATION HAZARD

Keep cord at least 3 feet away from cribs, bassinets, and toddler beds. Keep out of reach of children under 3 years of age.