

# PLAY FENCE

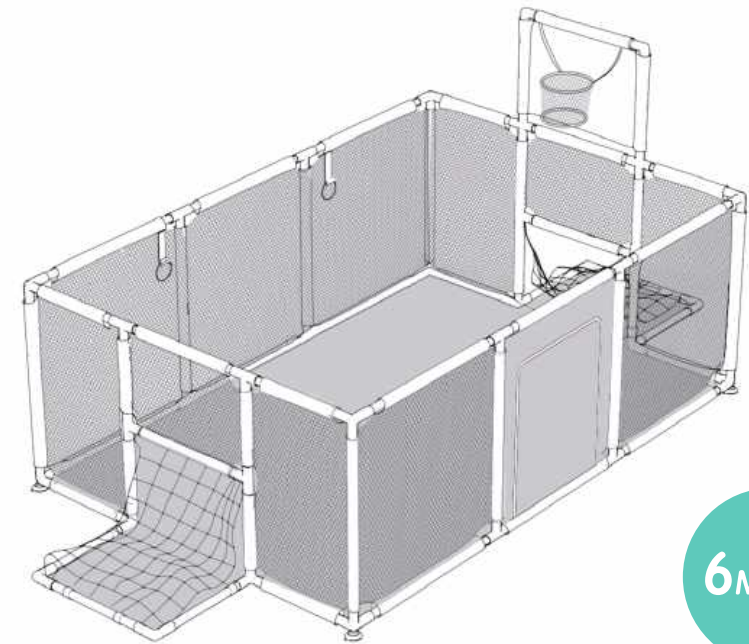
## Instruction Manual

Model: YBL-2099



Manufacturer: SUI CHENG LIMITED  
Address: Room 38, 11/F, Meeco Industrial Building,  
53-55 Au Pui Wan Street, Fotan, Shatin, N.T., Hong Kong

 MADE IN CHINA



6M-3Y



For convenient and correctly use, please read this manual in details and keep it under proper custody.

## IMPORTANT SAFEGUARD & WARNING

The children's playfence is designed to provide an independent and safe space for babies and to create a baby haven for multiple children.

### WARNING:

1. Do not use this product as a support or shake it vigorously. Children under the age of 8 should always be supervised by adults when using this product.
2. Never use plastic shipping bags or other plastic film as mattress covers not sold and intended for that purpose. They can cause suffoca
3. Never leave child in product with side lowered. Be sure side is in raised and locked position whenever child is in product. tion.

### CAUTION:

To prevent serious injury, install the play fence safely and use it according to the manufacturer's instructions.

-These assembly instructions apply to parents and guardians only; do not allow children to enter the assembly area until it is assembled.

-Please ensure that all parts are properly installed; incorrect installation can lead to danger.

-Do not use the baby playpen if any parts are damaged or missing.

-Recommended for children over 6 months of age.

-When using this product, never leave young children unattended.

-Please keep away from fire and power sources.

-To always place the product on a flat, stable surface.

-Do not place it near water or in a slippery place.

-Do not place on slopes or sandy land.

-Please be careful of the sharp edges of the product.

⚠ Please store the packaging materials properly and keep children away from them.

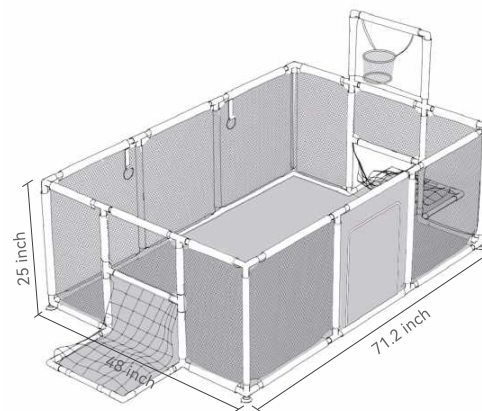
⚠ Please read the user manual before installation and assembly.

⚠ Please use the product under the supervision of adults.

⚠ In order to avoid child asphyxiation, do not place products that can cause child asphyxiation in the bed.

⚠ Please check whether the baby playpen is in good condition before using it. If it is damaged, please do not continue to use it.

## PRODUCT & PARTS LIST



## PRODUCT INFORMATION

Model: YBL-2099

Product size: 71.2\*48\*25 INCH

Material: Oxford Cloth, Sponge, Steel Pipe, Plastic

Additional accessories:

Baskets, Football net

Quantity: 1 SET

### Tube type

<b>A</b> x20		<b>B</b> x17	
<b>C</b> x8		<b>D</b> x4	

### Connector type

① Suction Cup Connector x4		② 3-Way Elbow Connector x8		③ T-shaped Connector x14	
④ 90 Elbow Connector x6		⑤ Cross Connector x2			

### Other accessories

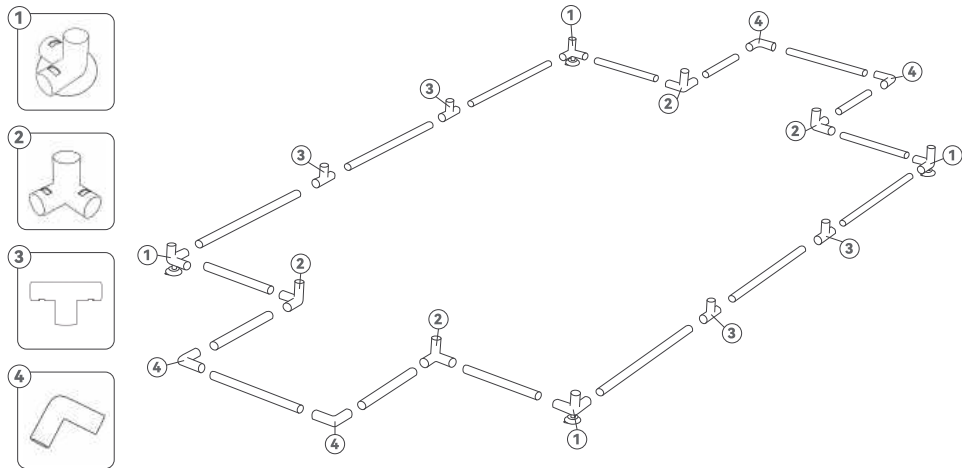
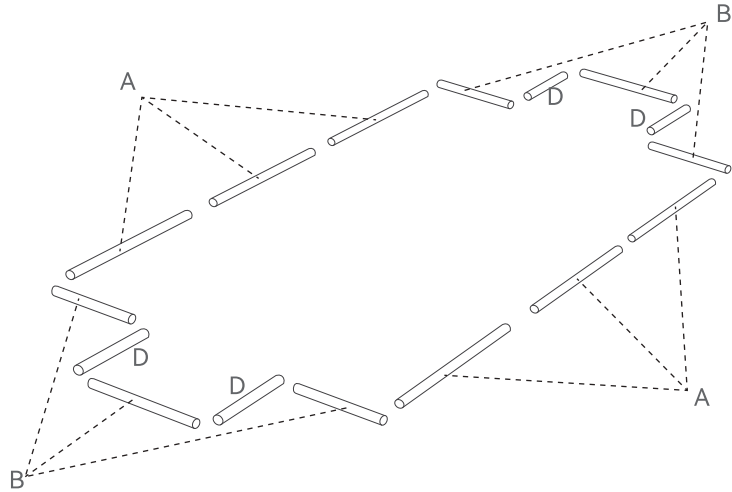
Pull Ring x4		Football Net x2		Fence cloth set x1		Basket net cloth x1	
-----------------	--	--------------------	--	-----------------------	--	------------------------	--

## INSTALLATION INSTRUCTION

Please check the number of accessories! Accessories shall be classified and placed on standby.

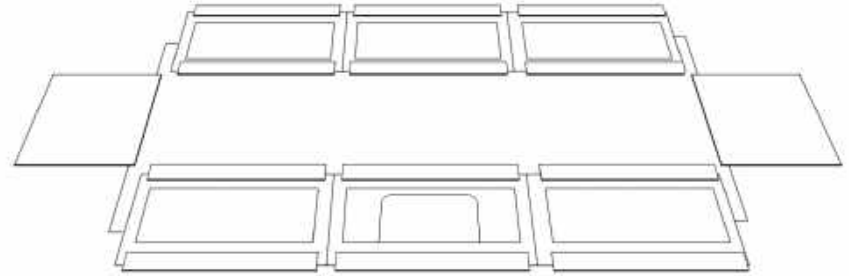
### STEP 1

Prepare Tubes A, B, D and Connectors ① ② ③ ④ required for base installation.



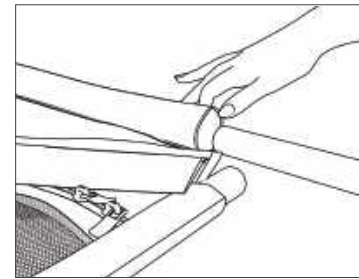
### STEP 2

Unfold the fence cloth cover and place it flat as shown, with the zippered arch side facing up.

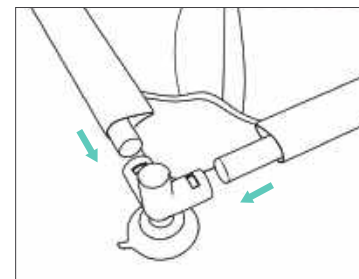


### STEP 3

Assemble the cloth cover, tubes and connectors required for the base.

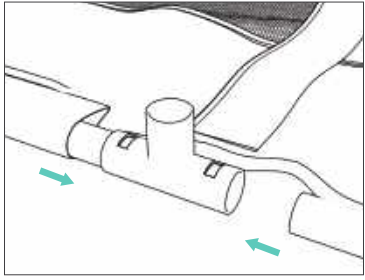


1. Thread tubes (A/B/D) into the corresponding positions at the bottom of the fence cloth sleeve as shown. Make sure that each steel tube is threaded into the cloth sleeve.

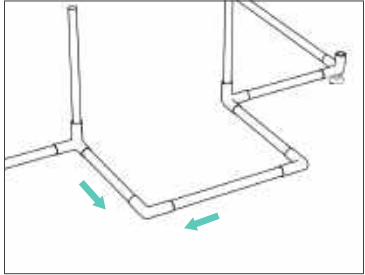
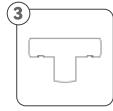


2. Take out the ① Suction Cup Connectors and ② 3-Way Elbow Connectors. Insert the steel tubes into Connectors ①, ② according to the arrow shown and press them tightly to ensure a secure installation.





3. Take out the T-shaped Connectors-③ and insert the steel tubes into Connectors ③ according to the arrow shown. Press them tightly to ensure a secure installation.

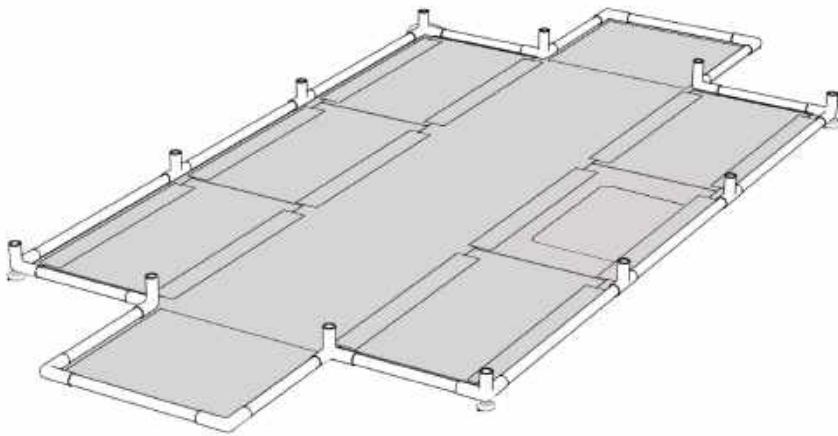


4. Take out the 90 Elbow Connector-④, and insert the steel tubes into Connectors ④ according to the arrow shown. Press them firmly to ensure that the installation fits in place.



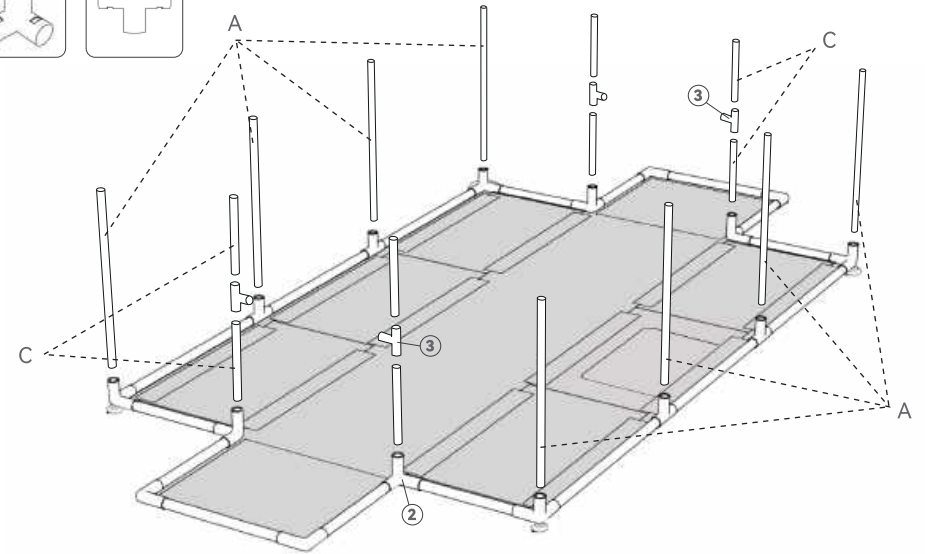
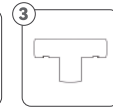
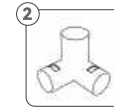
## STEP 4

As shown, the base part is assembled completely.



## STEP 5

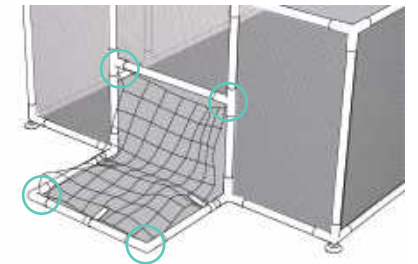
The figure shows the installation position of the vertical pipes. Tubes A and C, and the T-shaped Connectors ③ will be used.



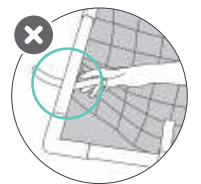
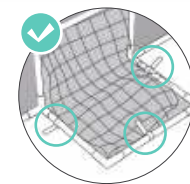
### Attention:

During your installation of the vertical pipes, the football nets also need to be assembled at the same time.

1. Hang the mesh of each four corners of the net on the frame structure as shown in the pictures.

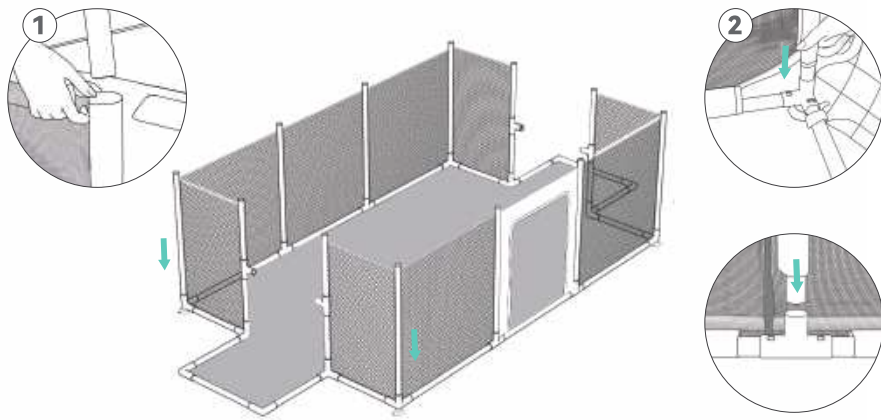


2. Attaching the velcro straps on the bottom fence cloth sleeve around the football net and the base tubes to ensure a fixing installation.

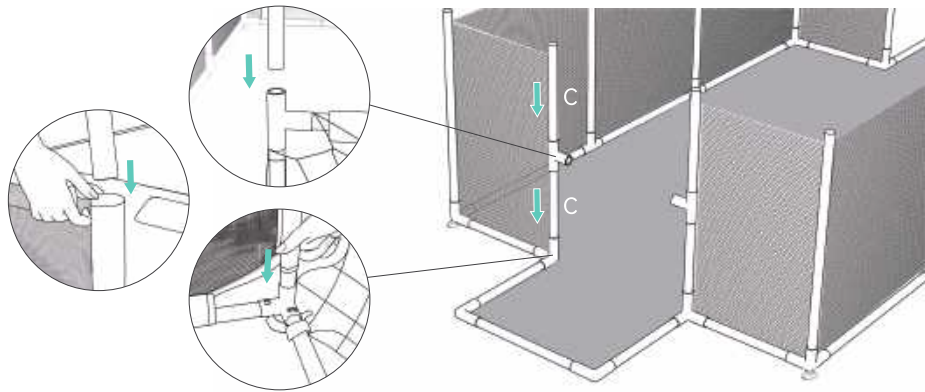


## STEP 6

1. Thread the tubes A into the side fence cloth sleeve.
2. Assemble the tubes A on the bottom connectors together to ensure a secure installation.



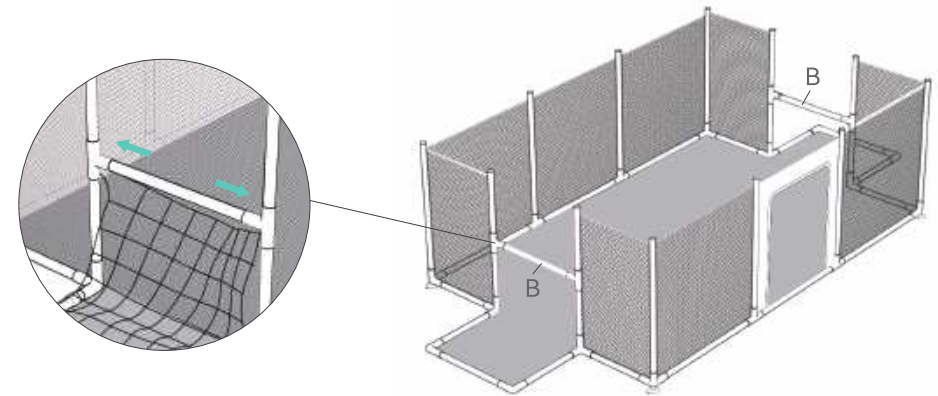
## STEP 7



1. As shown in the pictures, firstly you should thread the E-tube into the cloth sleeve and assemble them on the 3-Way Elbow Connectors②.
2. Put another C tube into the cloth sleeve, and use T-shaped Connectors-③ to connect two E pipes together tightly.
3. Follow the steps shown in Step5 and above to complete the assembly of the side tubes of the fence.

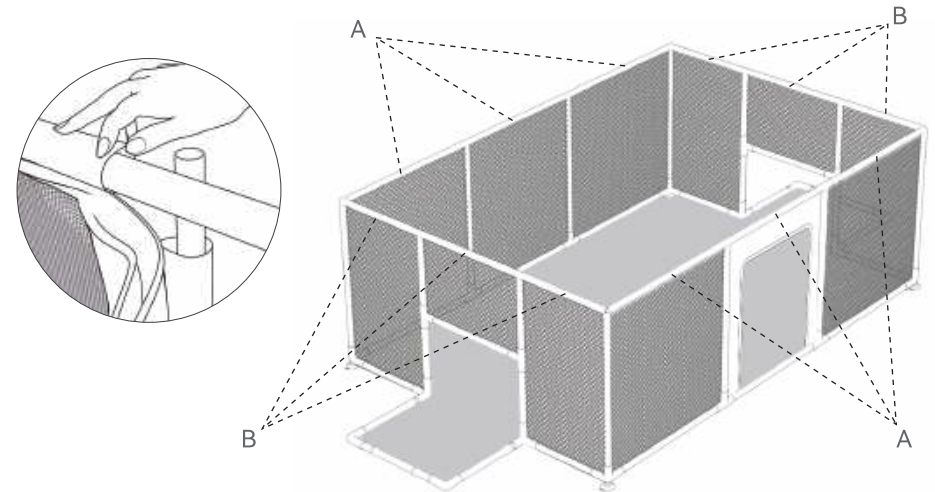
## STEP 8

Assemble the B-tube in the position shown, ensuring that all of the tubes are pressed tightly.



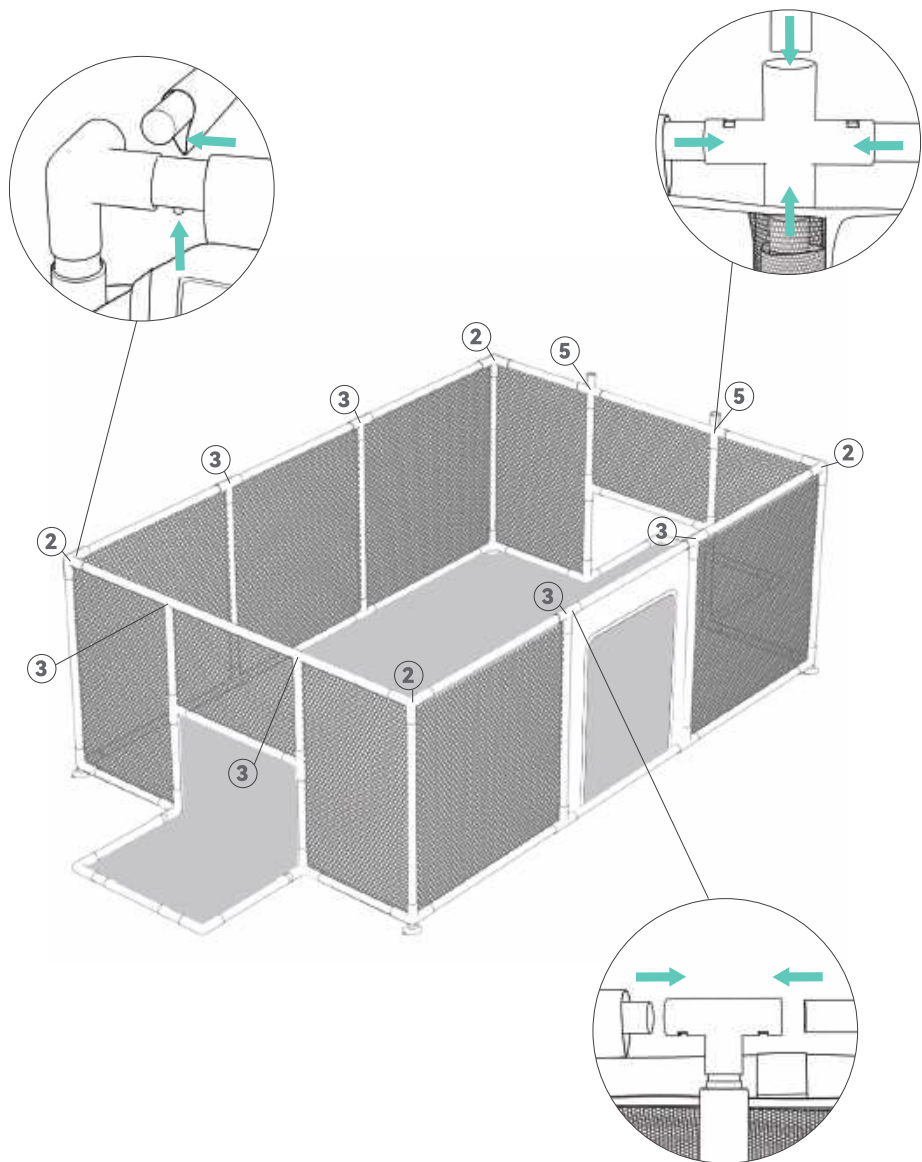
## STEP 9

Insert tubes A and B into the fence cloth sleeve in the corresponding positions as shown.



## STEP 10

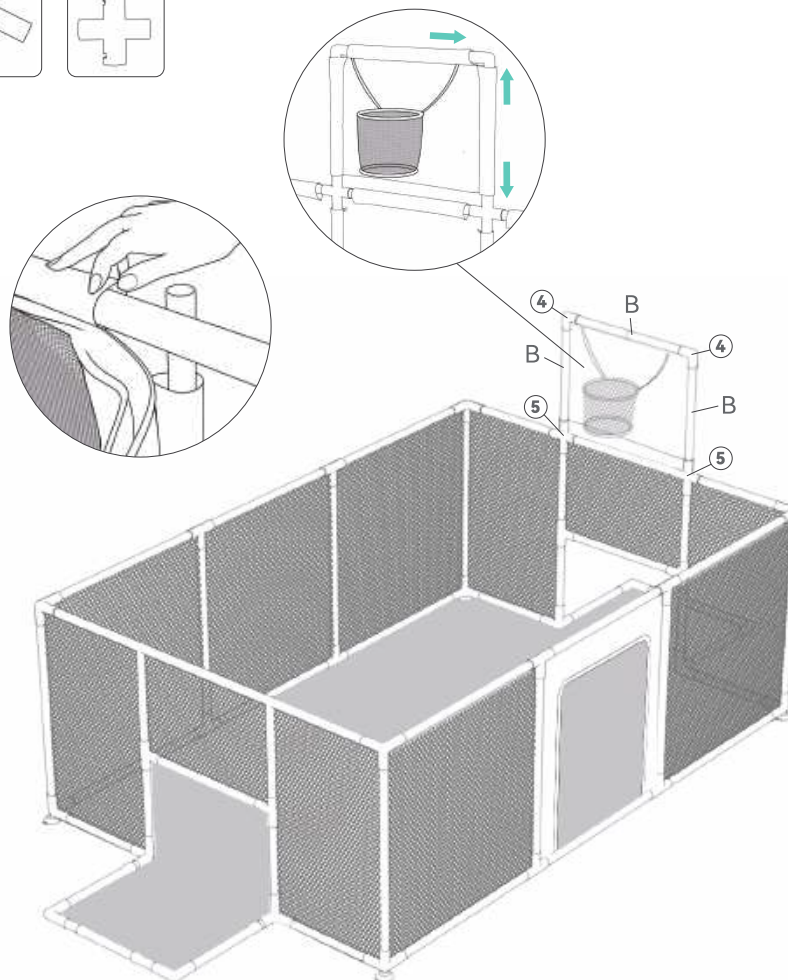
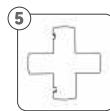
Assemble the connectors ②, ③ and ⑤ on the top tubes as shown in the picture.



## STEP 11

Installation for the basket part.

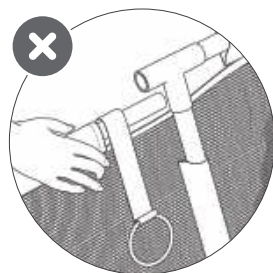
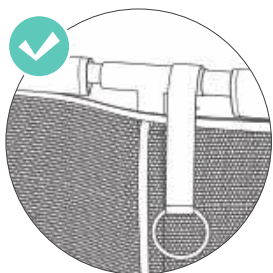
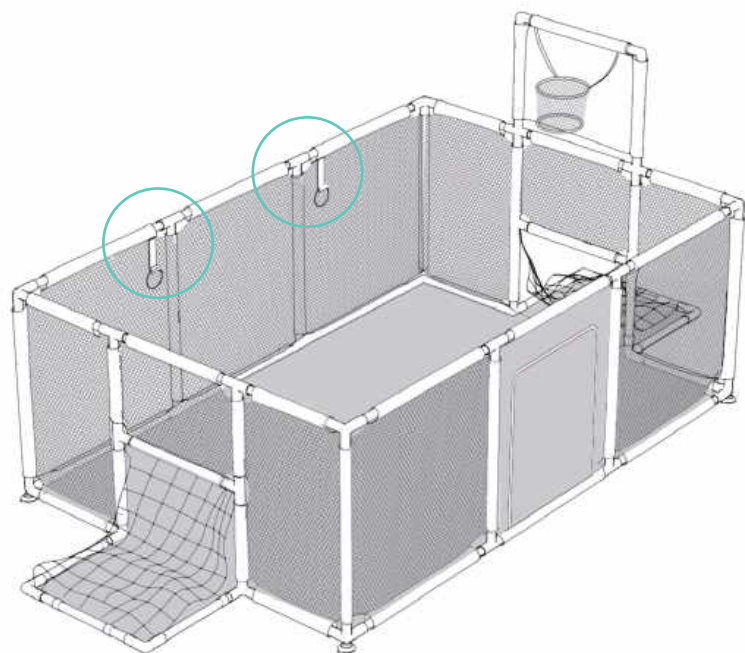
- 1、Thread the B-tube into the basket net cloth.
- 2、 Assemble the B-tube and the connectors ⑤、④ together.



## STEP 12

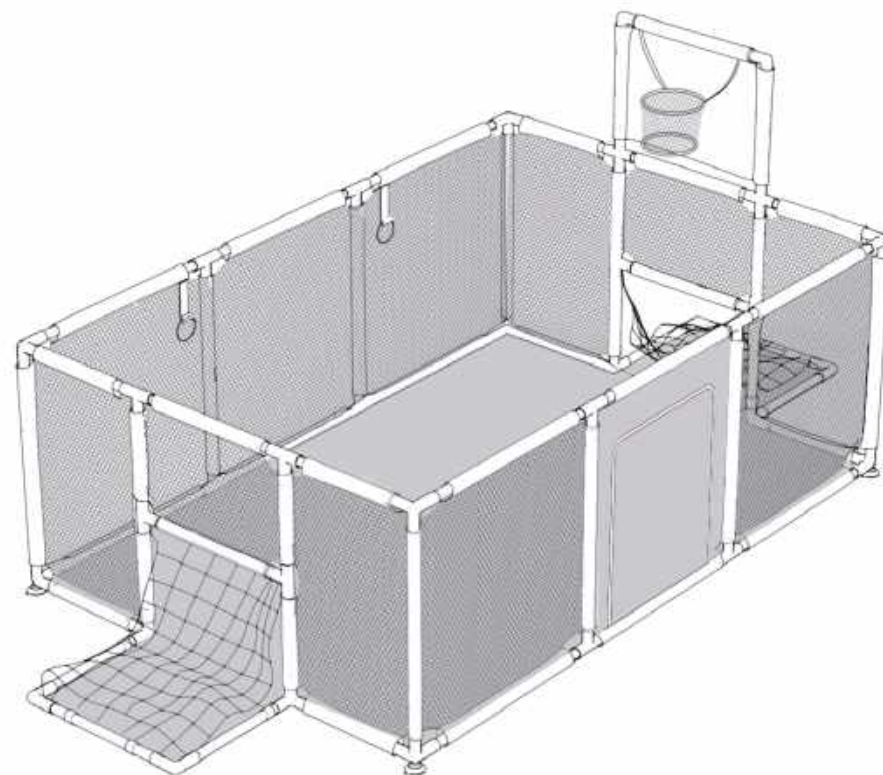
### Installation for the Pull Ring

The Pull rings can be installed on whichever steel tubes you want. As shown in the picture, the steel tube will be passed through the side of the ring and then you should connect the steel tube and connector tightly again.

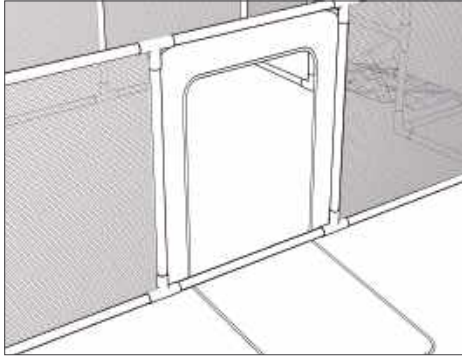


## STEP 13

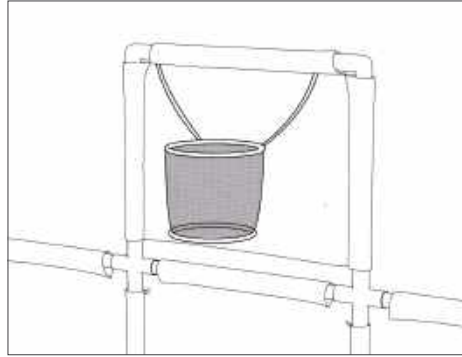
The installation is completed.



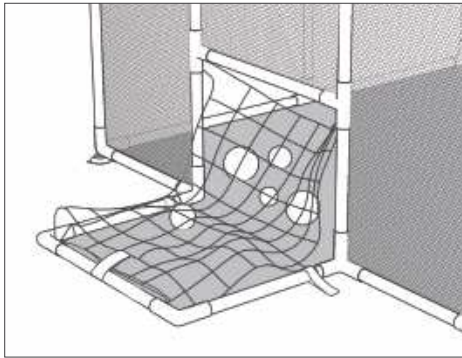
## OPERATION INSTRUCTION



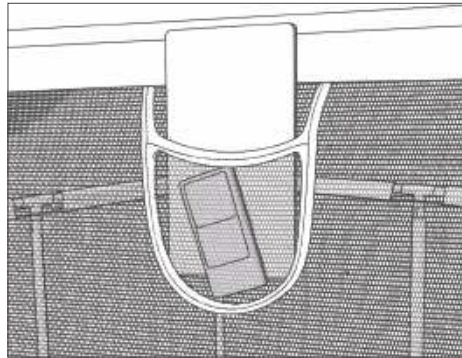
① Fence with side access for children.



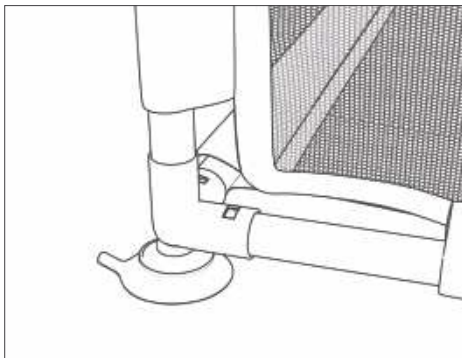
② Basket for fun.



③ Football net for fun.



④ Storage side pouch.



⑤ Safe & Non-slip suction cup.

## TROUBLE SHOOTING

1. Check the fastening regularly and tighten as you see fit.
2. Check all plastic parts and cloth mesh for cracks or wear, and repair if necessary.
3. Check both ends and all attachment points.
4. Check the elasticity of the cotton fabric for looseness.