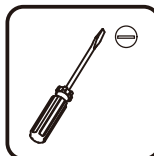
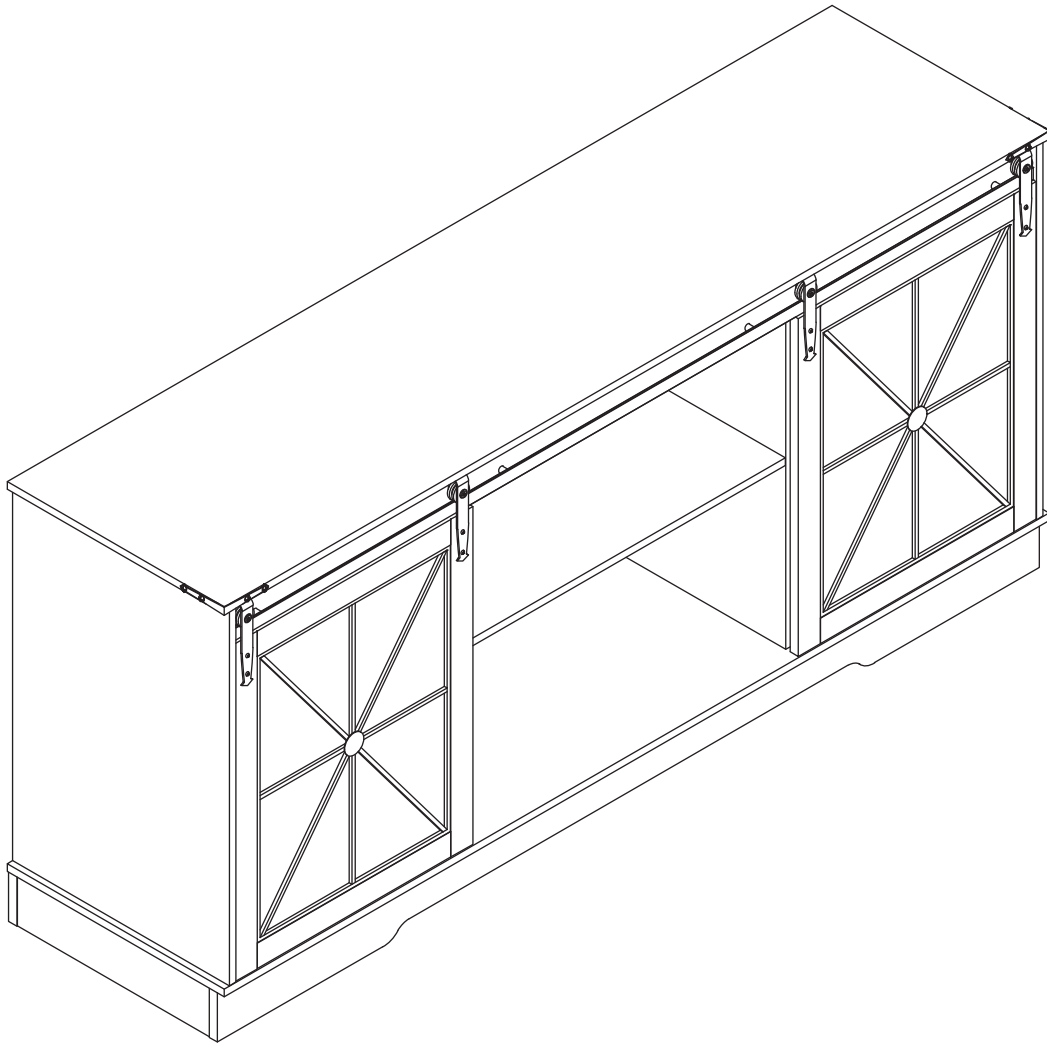
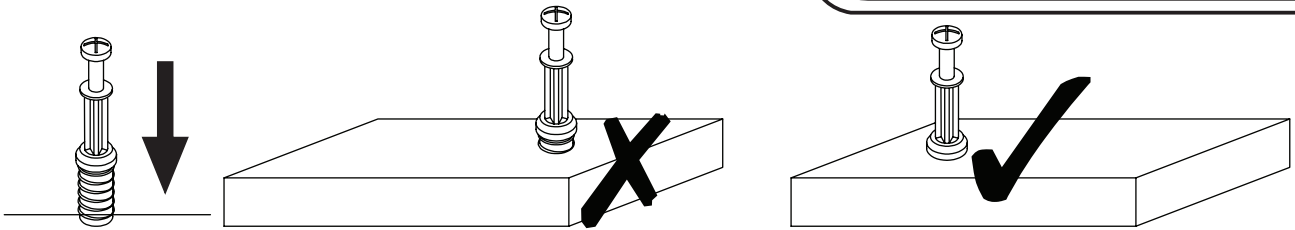


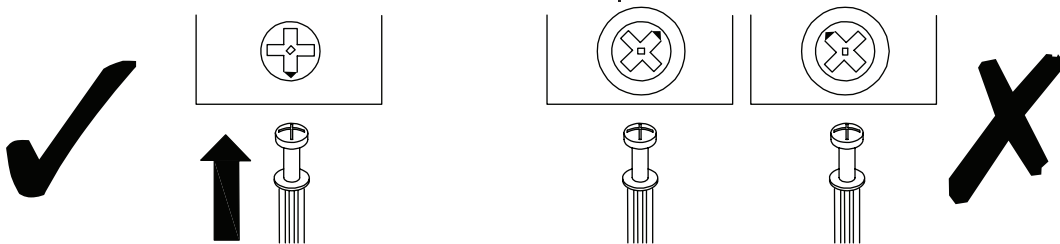
Installation & Assembly



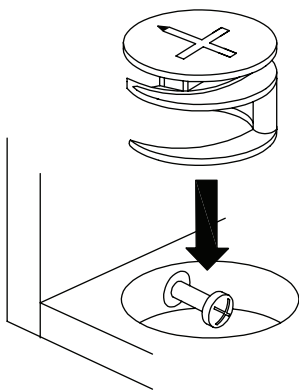
EN_IMPORTANT, RETAIN FOR FUTURE REFERENCE: READ CAREFULLY.



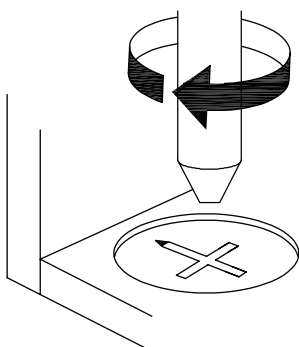
EN_QUICKFIT: Tighten quickfit until shoulder is flush with panel. Do not overtighten or undertighten.



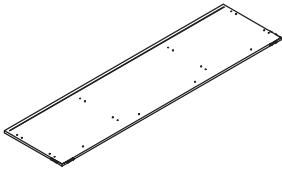
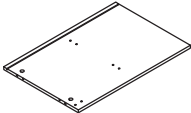
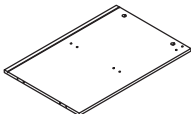
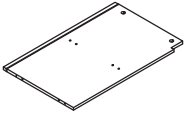
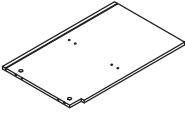
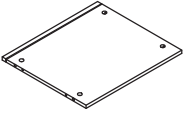
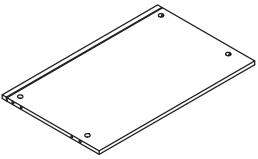
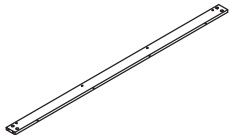
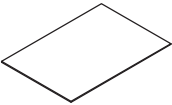
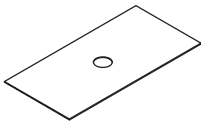
EN_CAM LOCK: When fitting cam lock, ensure starting position is correct before you insert connecting quickfit.

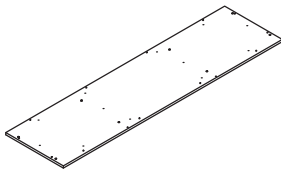
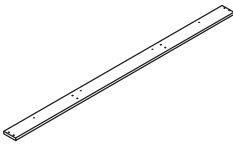
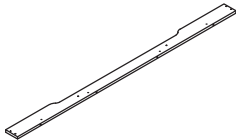
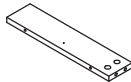
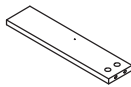
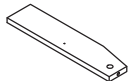
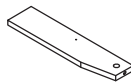
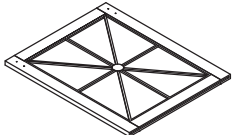





EN_Quickfit head should be in the centre of the cam lock when the two panels are joined.
Cam lock should be inserted before quickfit.



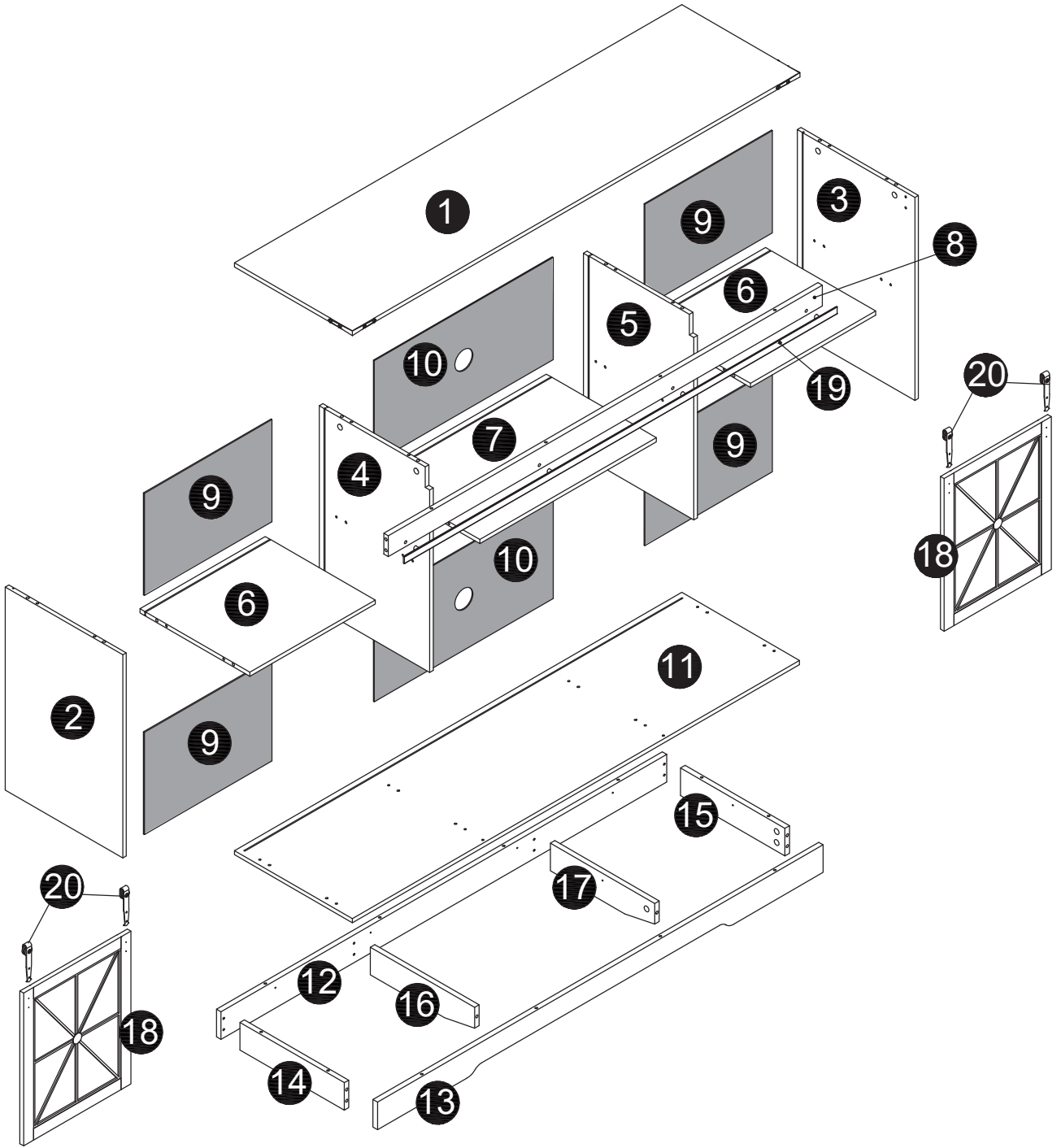
EN_Turn cam lock clockwise to tighten.

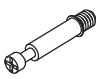


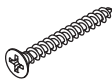

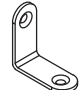
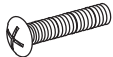


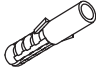


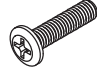
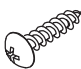
NO.	PARTS	QTY	SPARE
①		x1	
②		x1	
③		x1	
④		x1	
⑤		x1	
⑥		x2	
⑦		x1	
⑧		x1	
⑨		x4	
⑩		x2	

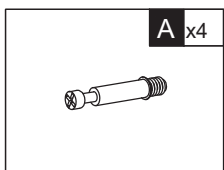
NO.	PARTS	QTY	SPARE
⑪		x1	
⑫		x1	
⑬		x1	
⑭		x1	
⑮		x1	
⑯		x1	
⑰		x1	
⑱		x2	
⑲		x1	
⑳		x4	

NO.	PARTS	QTY	SPARE
	 <p>Hardware Kit</p>		

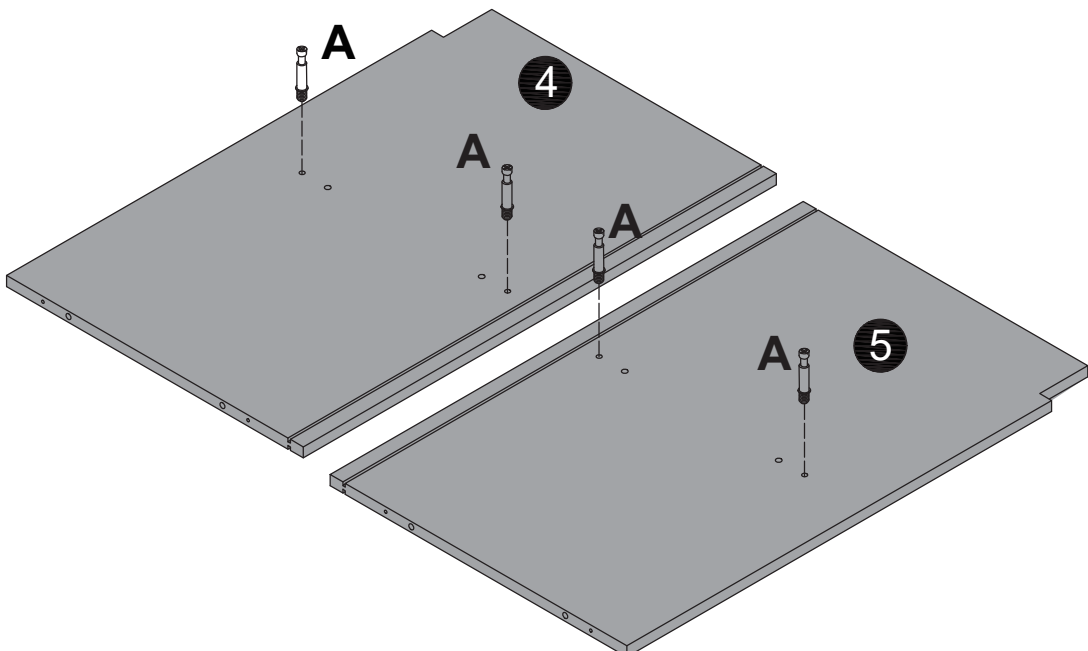
NO.	PARTS	QTY	SPARE



 <p>A x30 Ø6x35mm +2(spare)</p>	 <p>B x30 Ø15x10mm +2(spare)</p>	 <p>C x44 Ø6x30mm +3(spare)</p>	 <p>D x18 Ø4x35mm +1(spare)</p>	 <p>E x24 Ø3.5x12mm +2(spare)</p>	 <p>F x12</p>
 <p>G x2 Ø4x20mm</p>	 <p>H1</p>  <p>H2 Ø3x16mm +2(spare)</p>	 <p>I x2 Ø6x30mm</p>	 <p>J x2 Ø4x14mm</p>	 <p>K x2</p>	 <p>L x4 Ø6x25mm</p>
 <p>M x8 Ø4x14mm</p>					



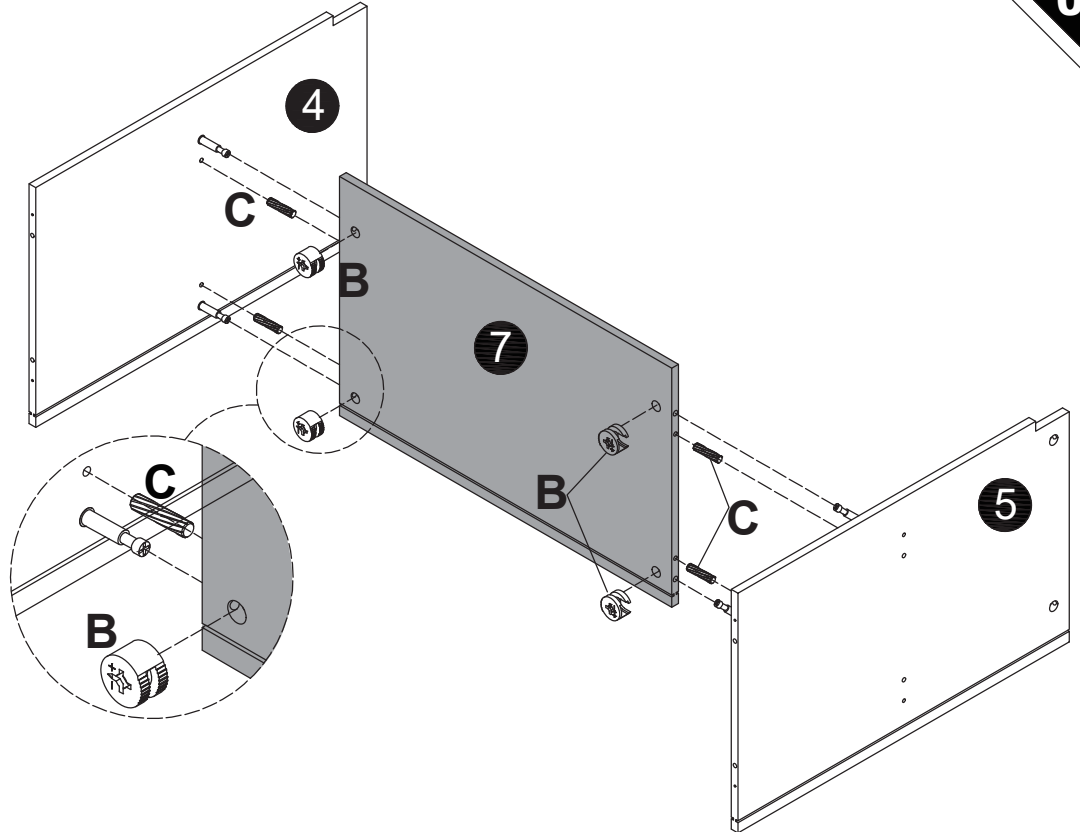
01



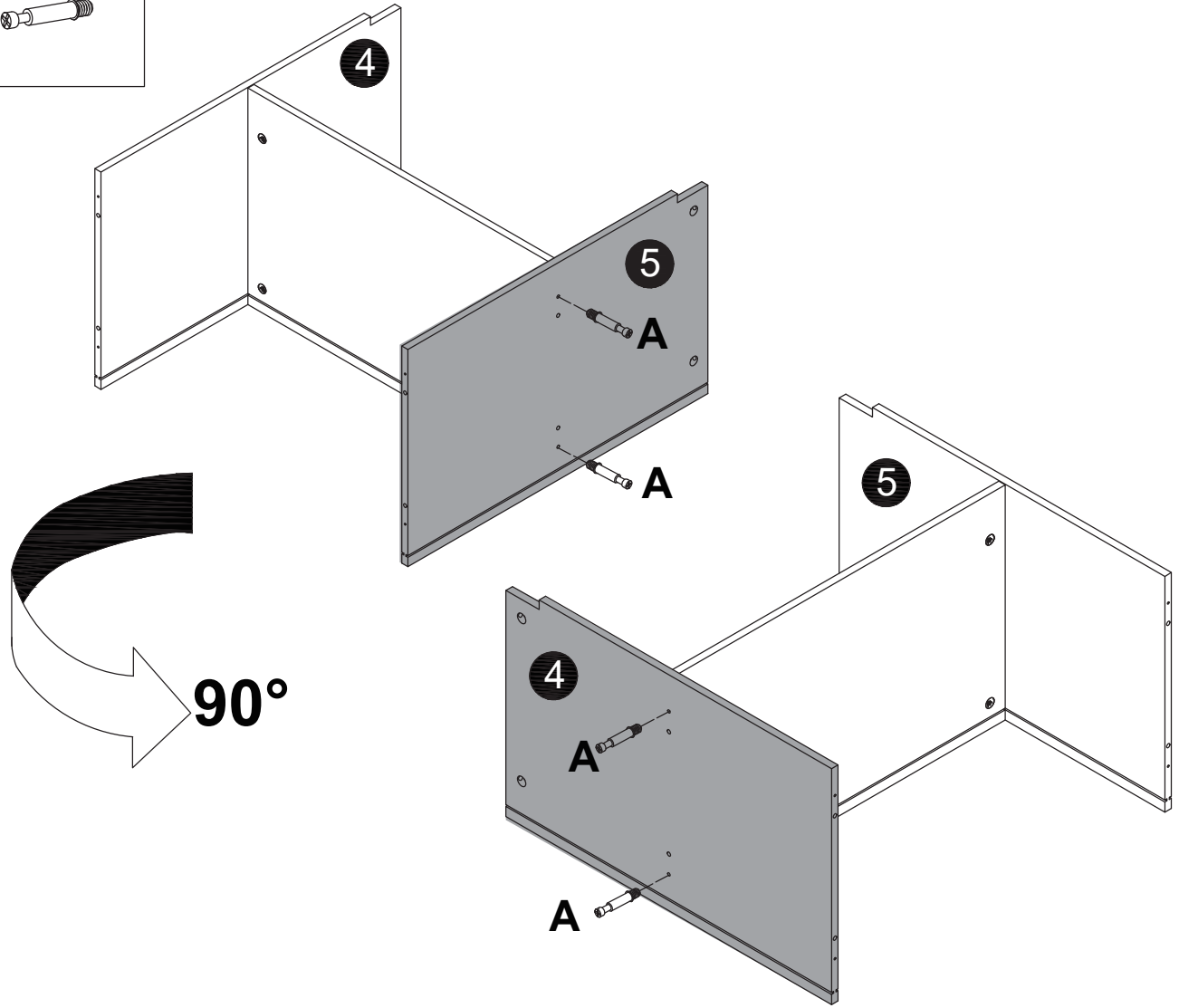
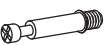
B x4



C x4

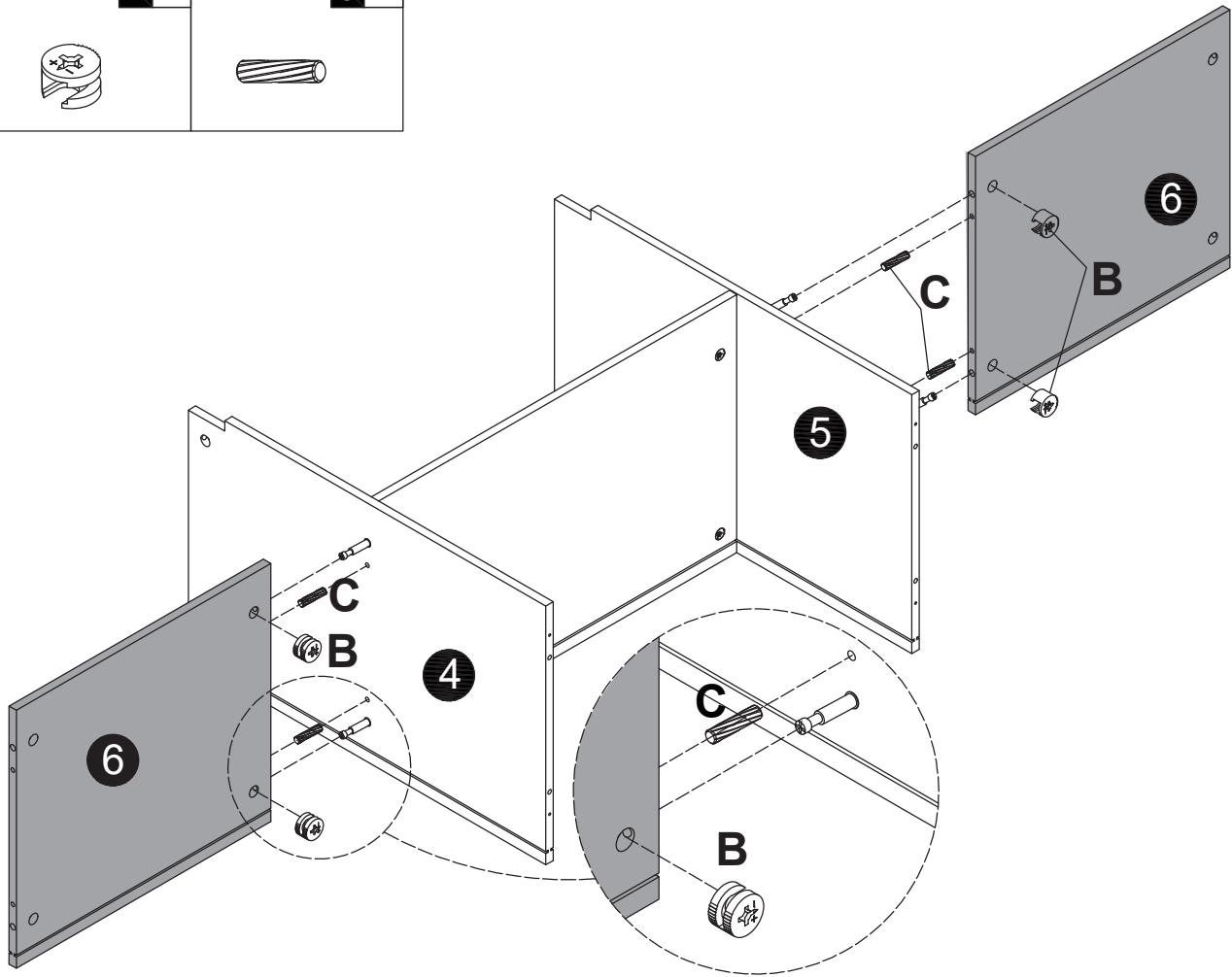


A x4

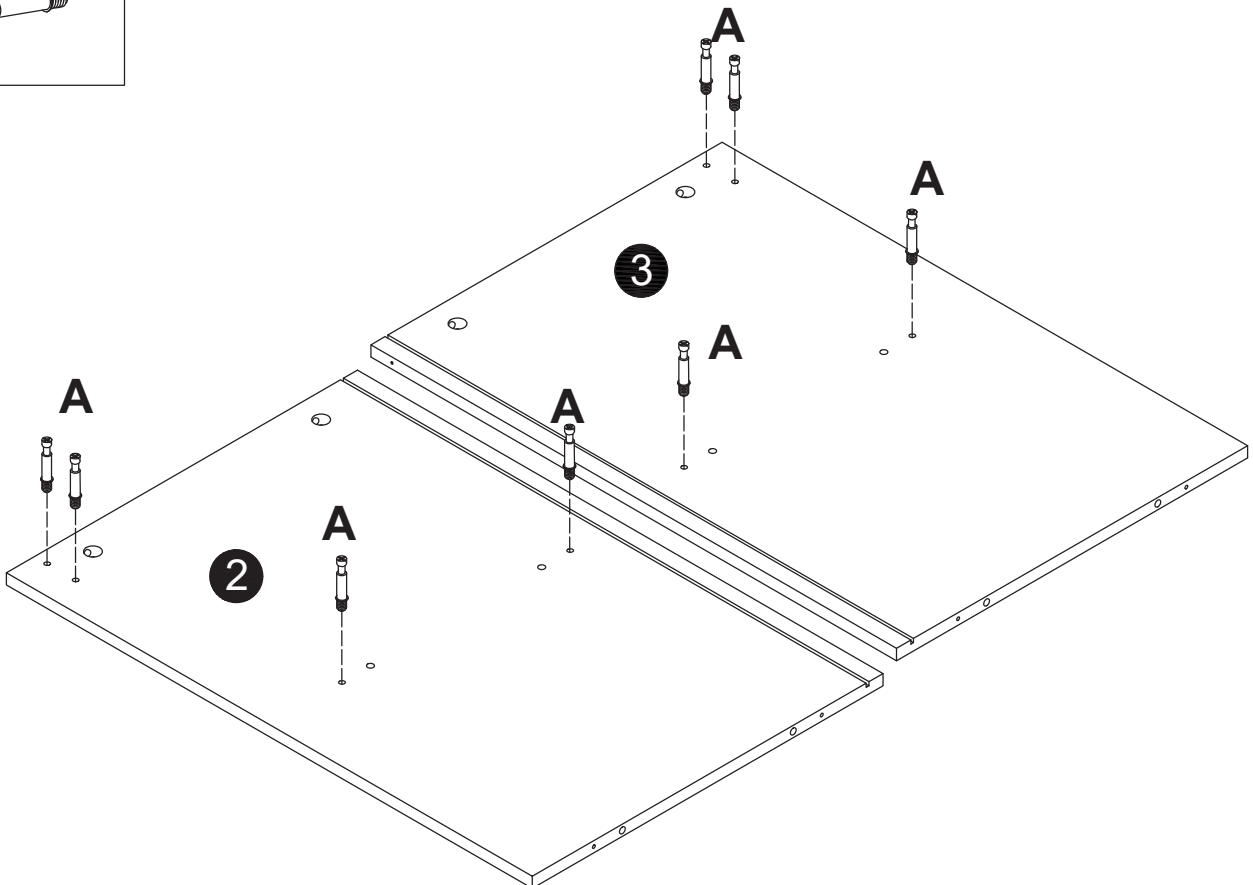
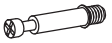


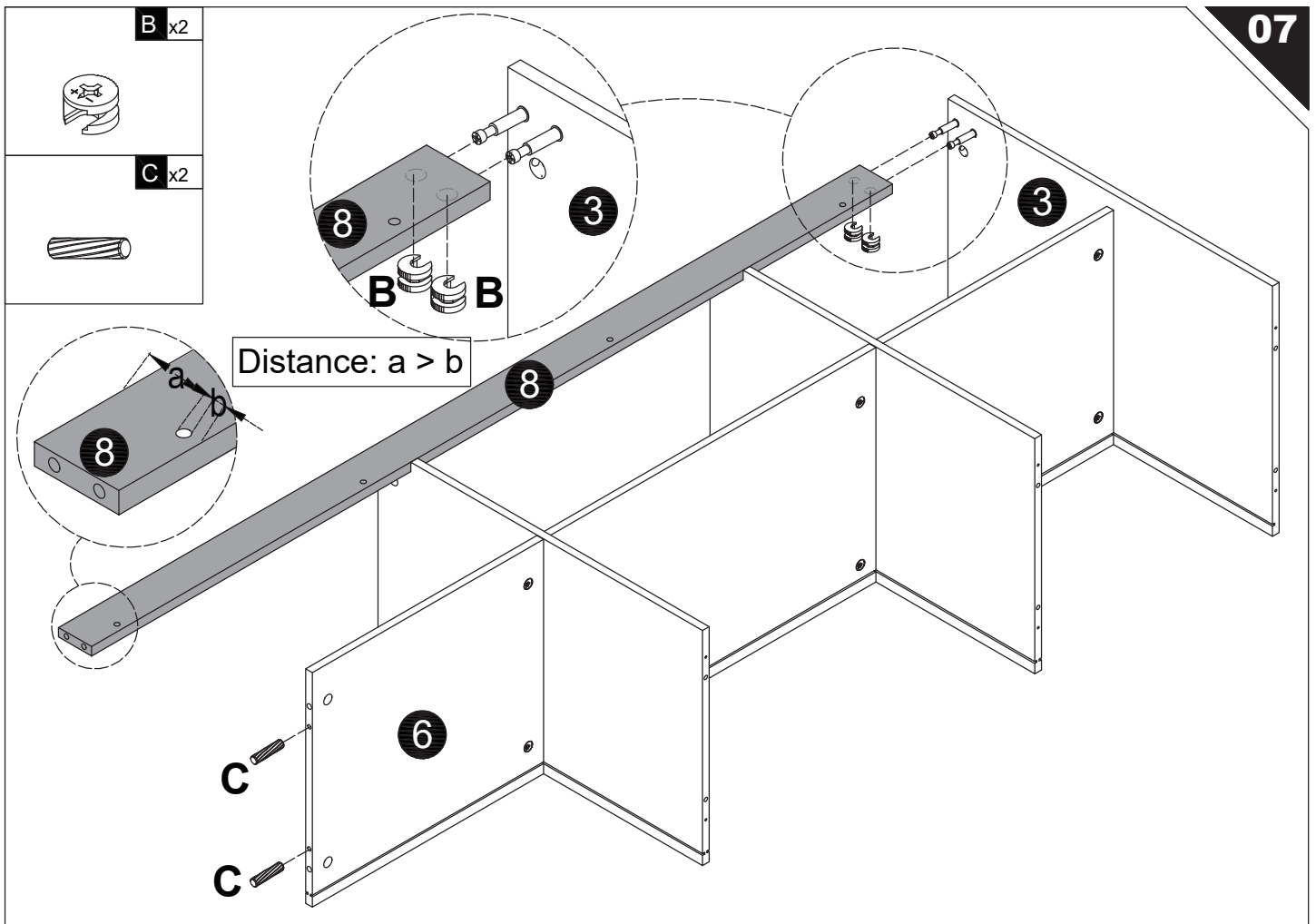
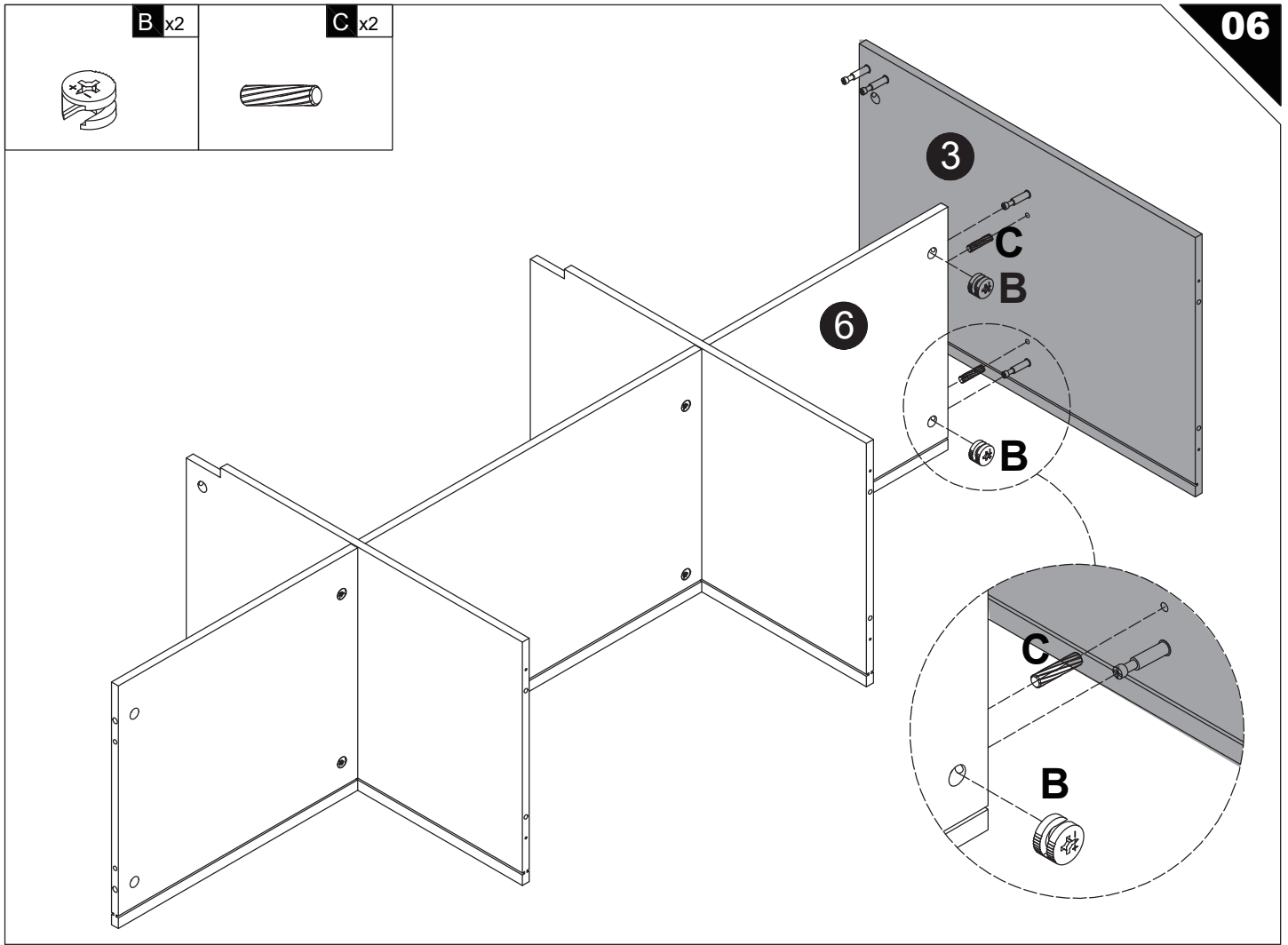
B x4

C x4

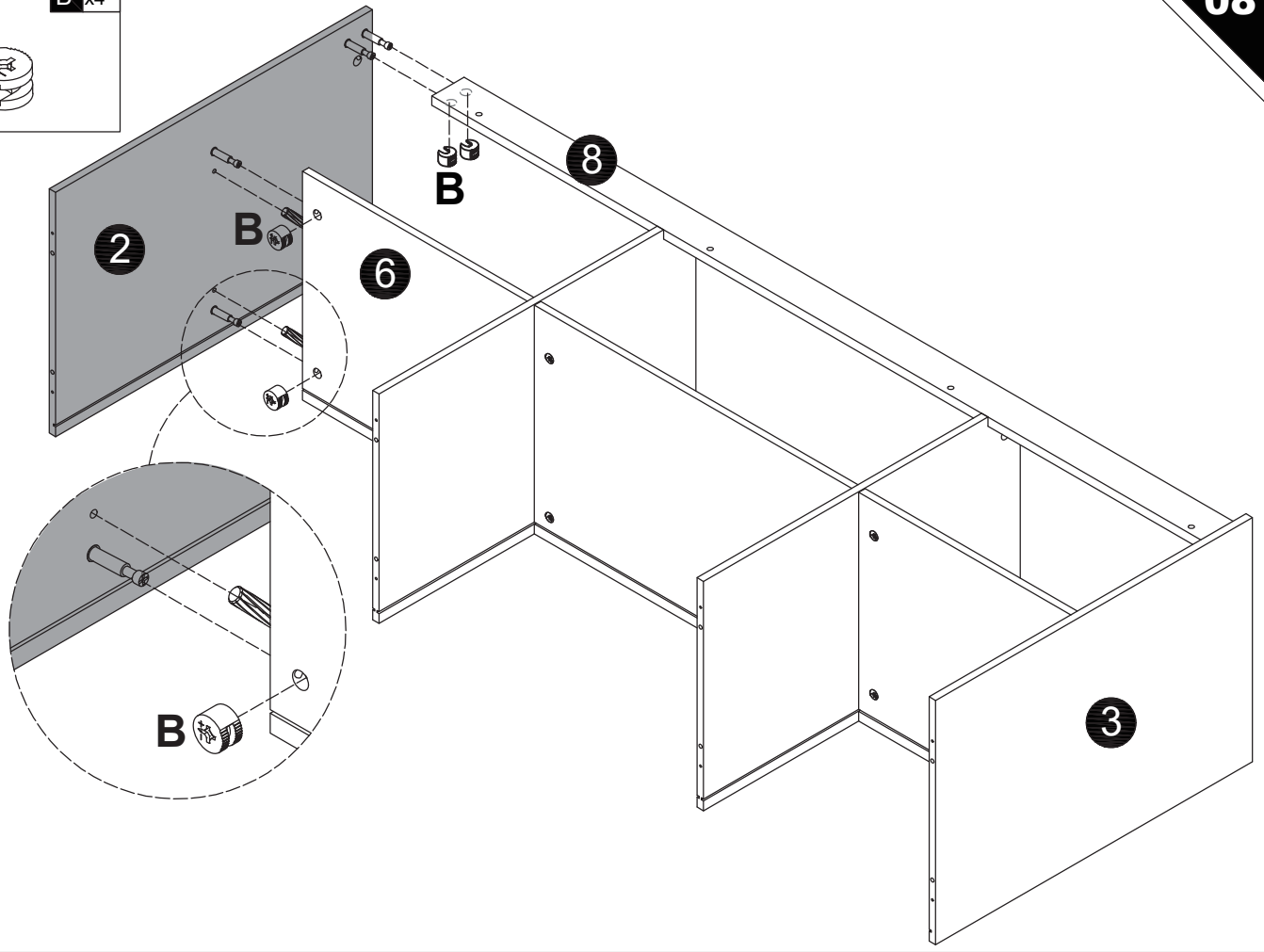


A x8

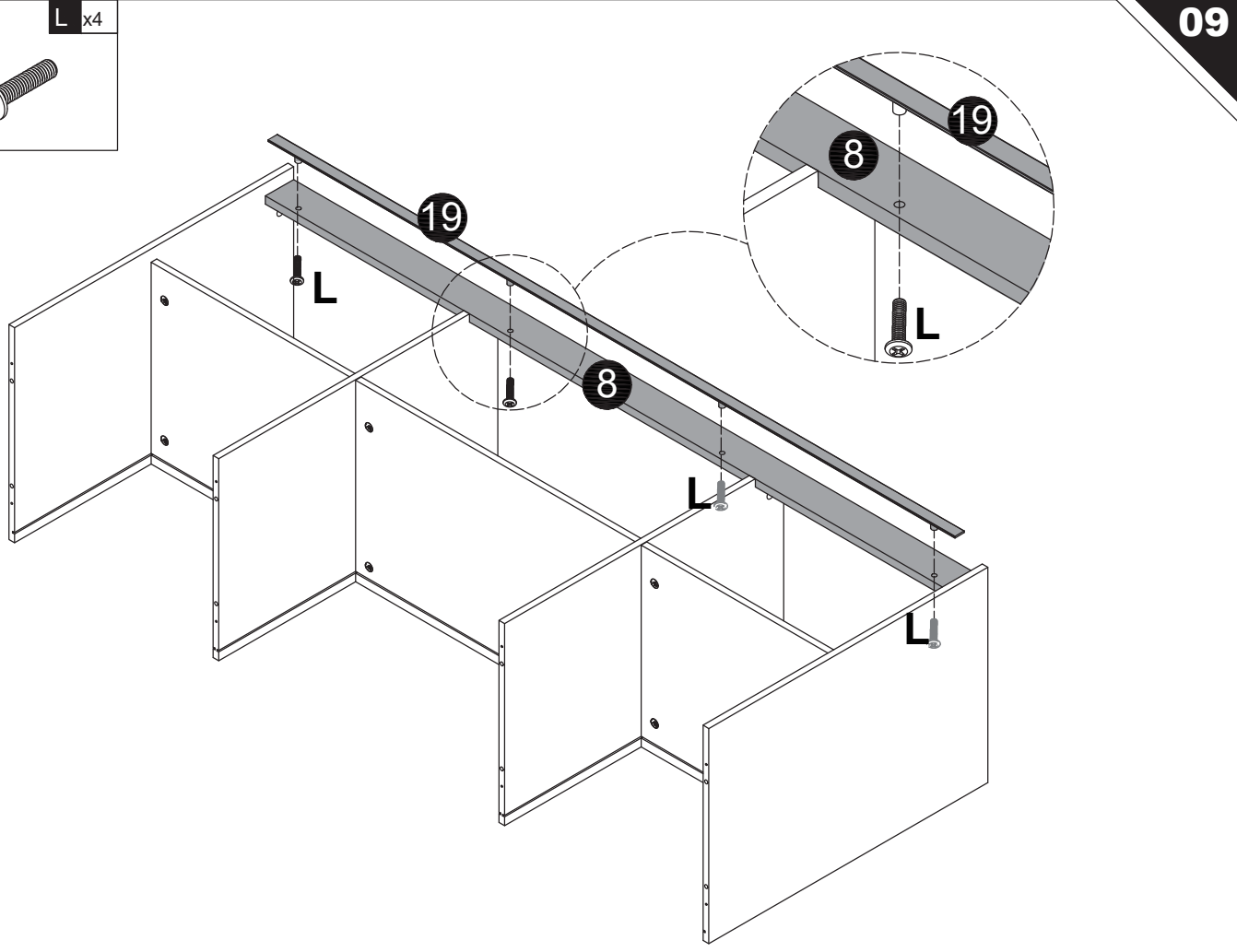




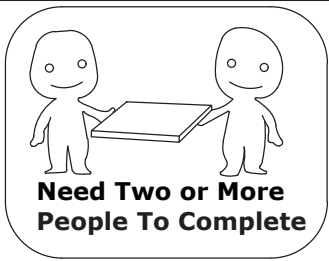
B x4



L x4

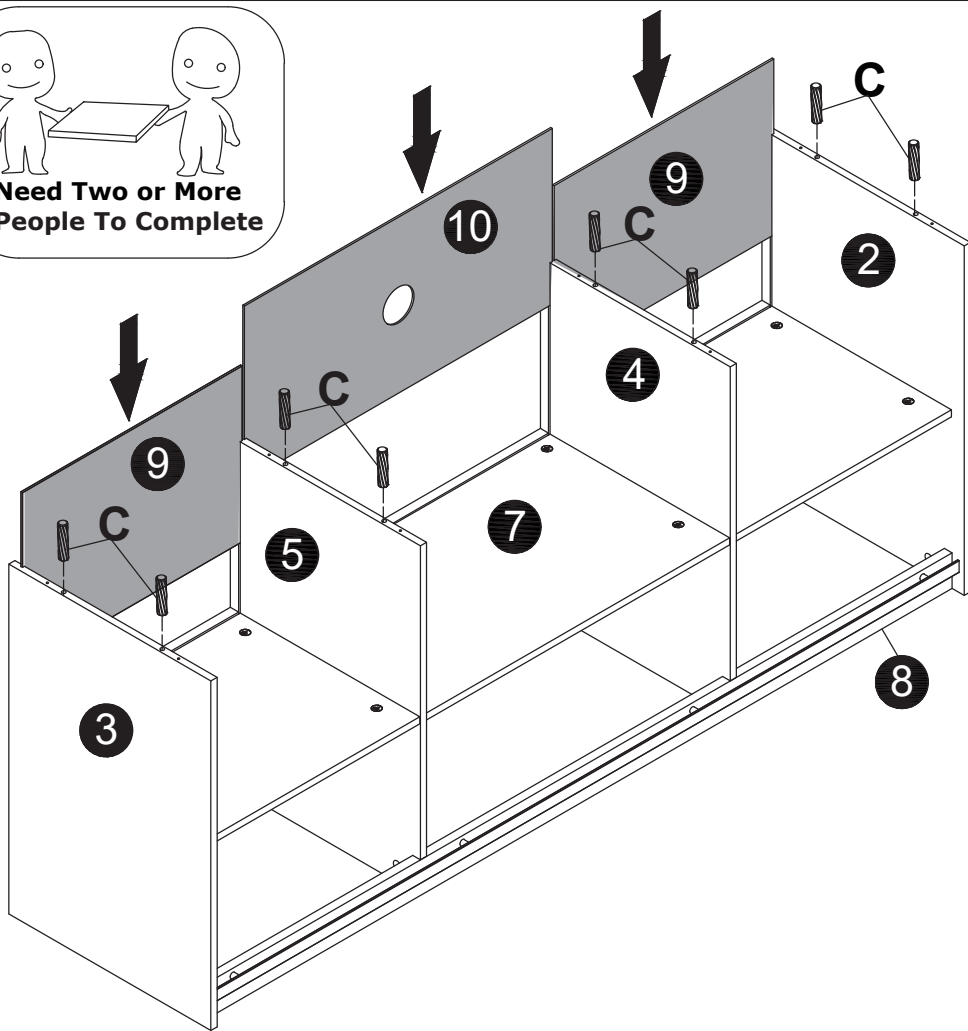


C x8

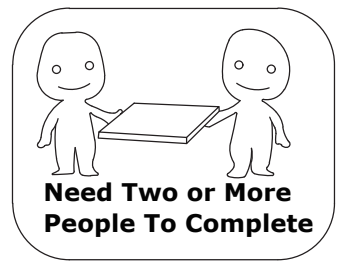


Need Two or More People To Complete

10

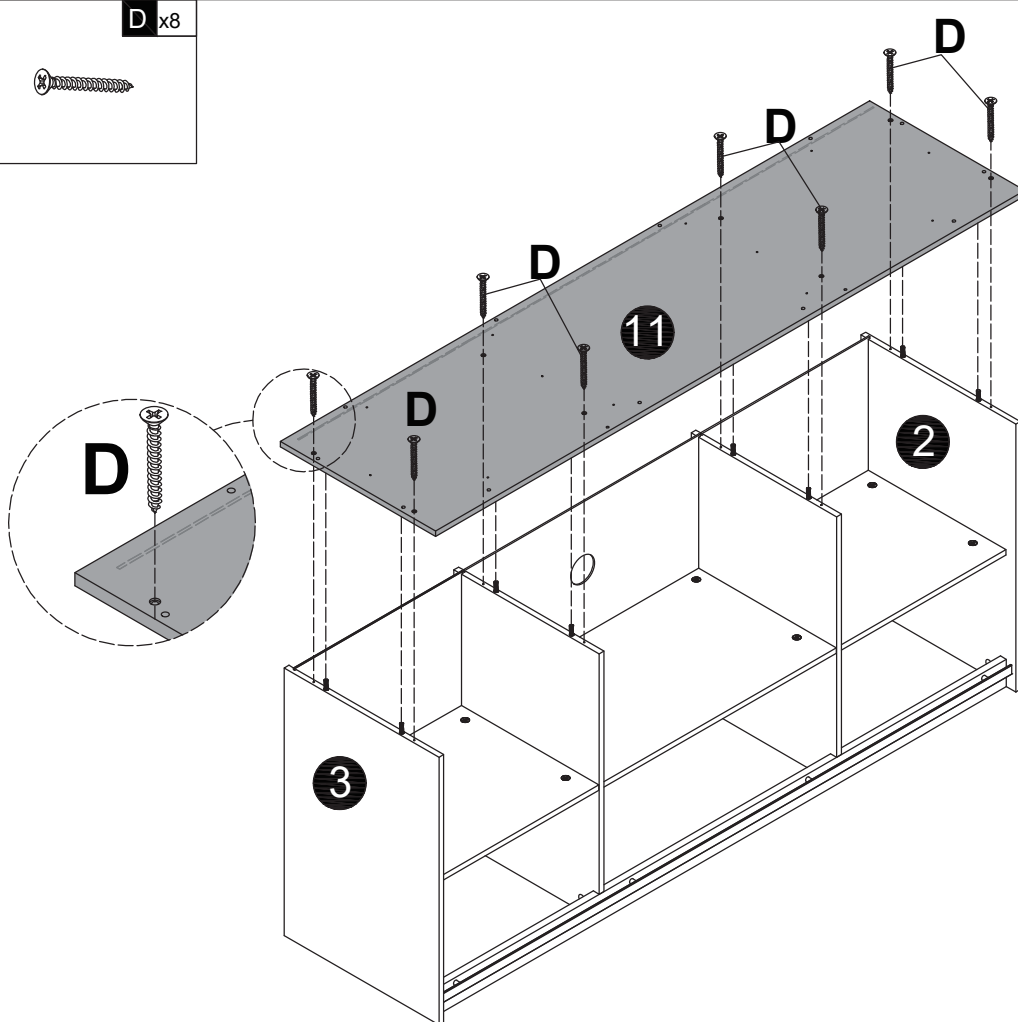


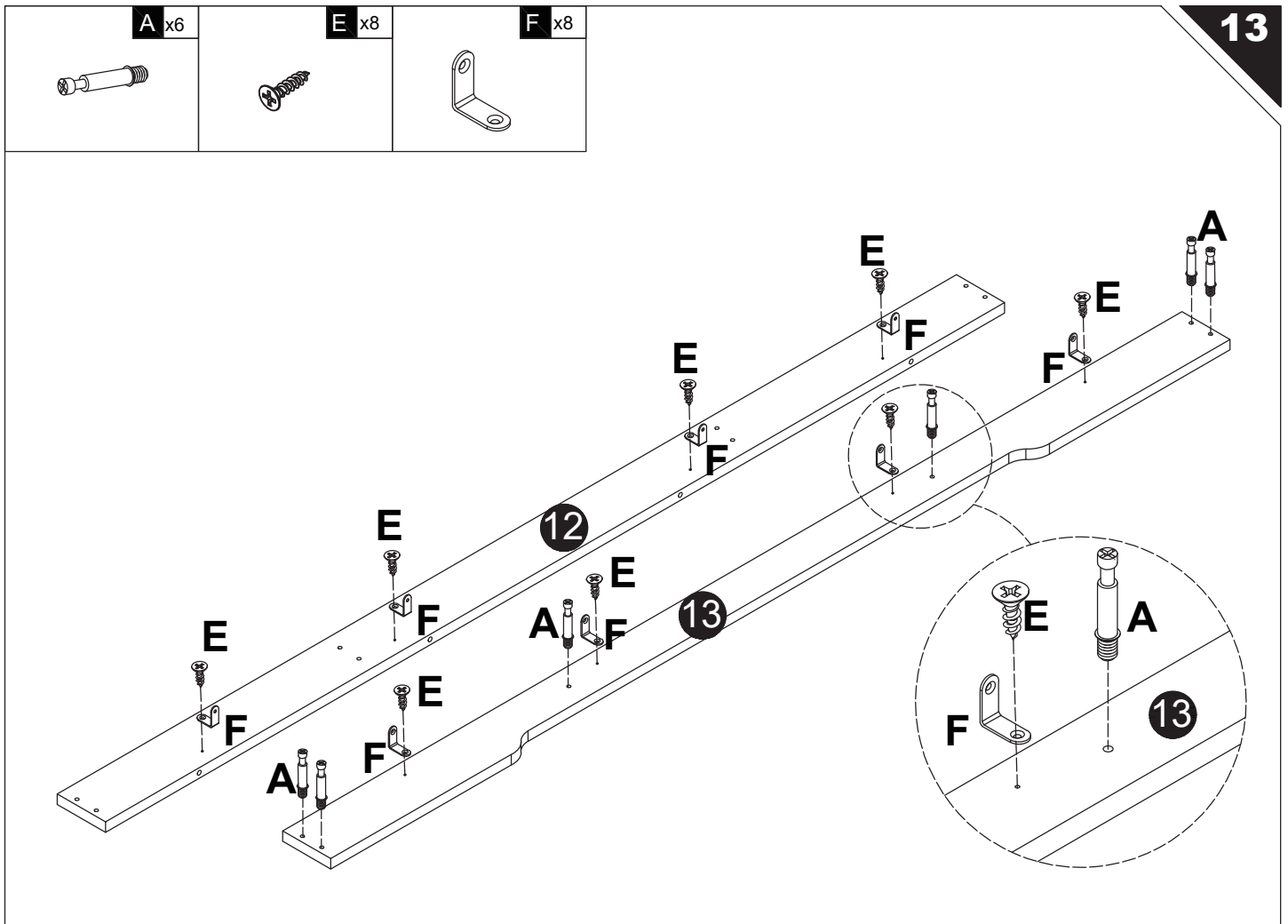
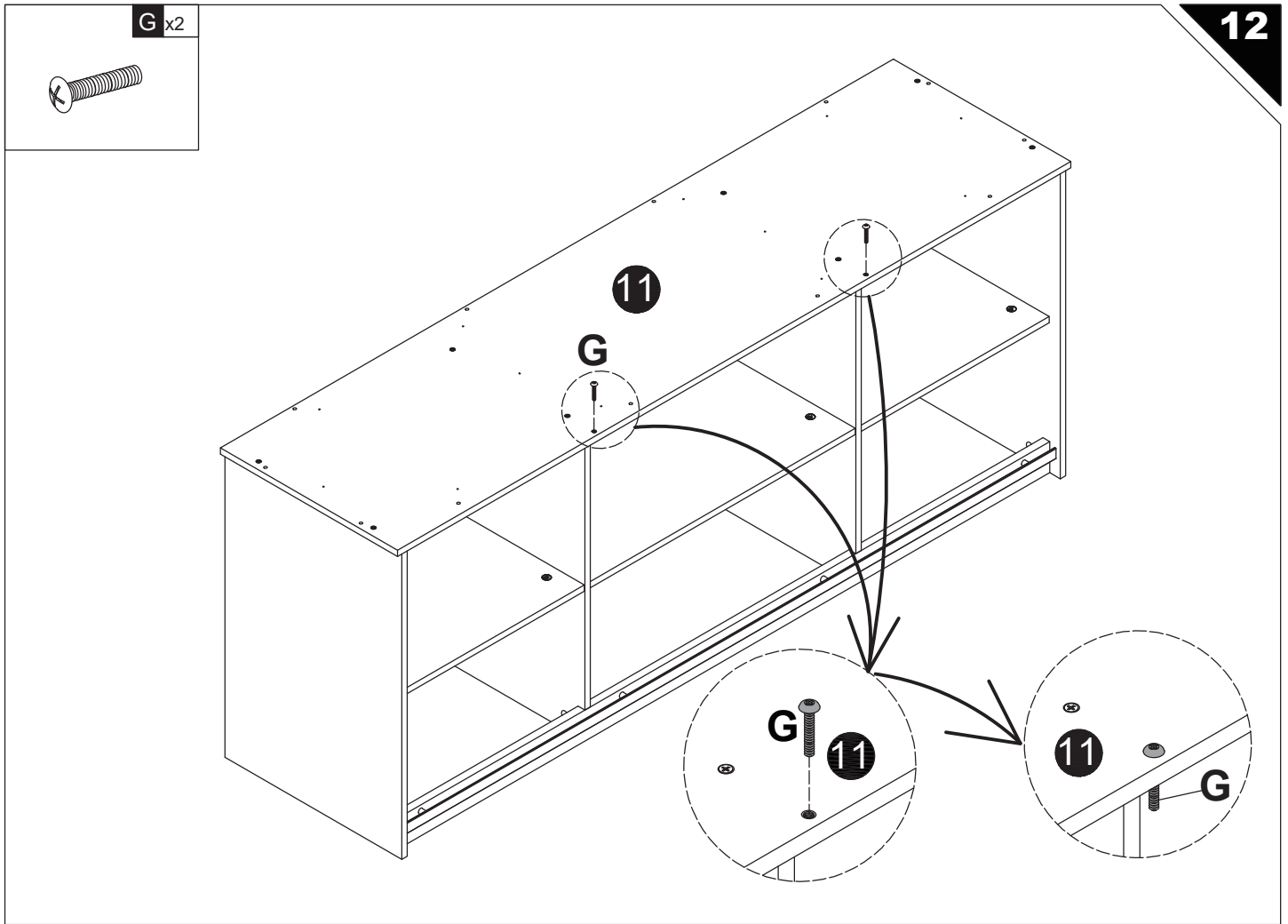
D x8

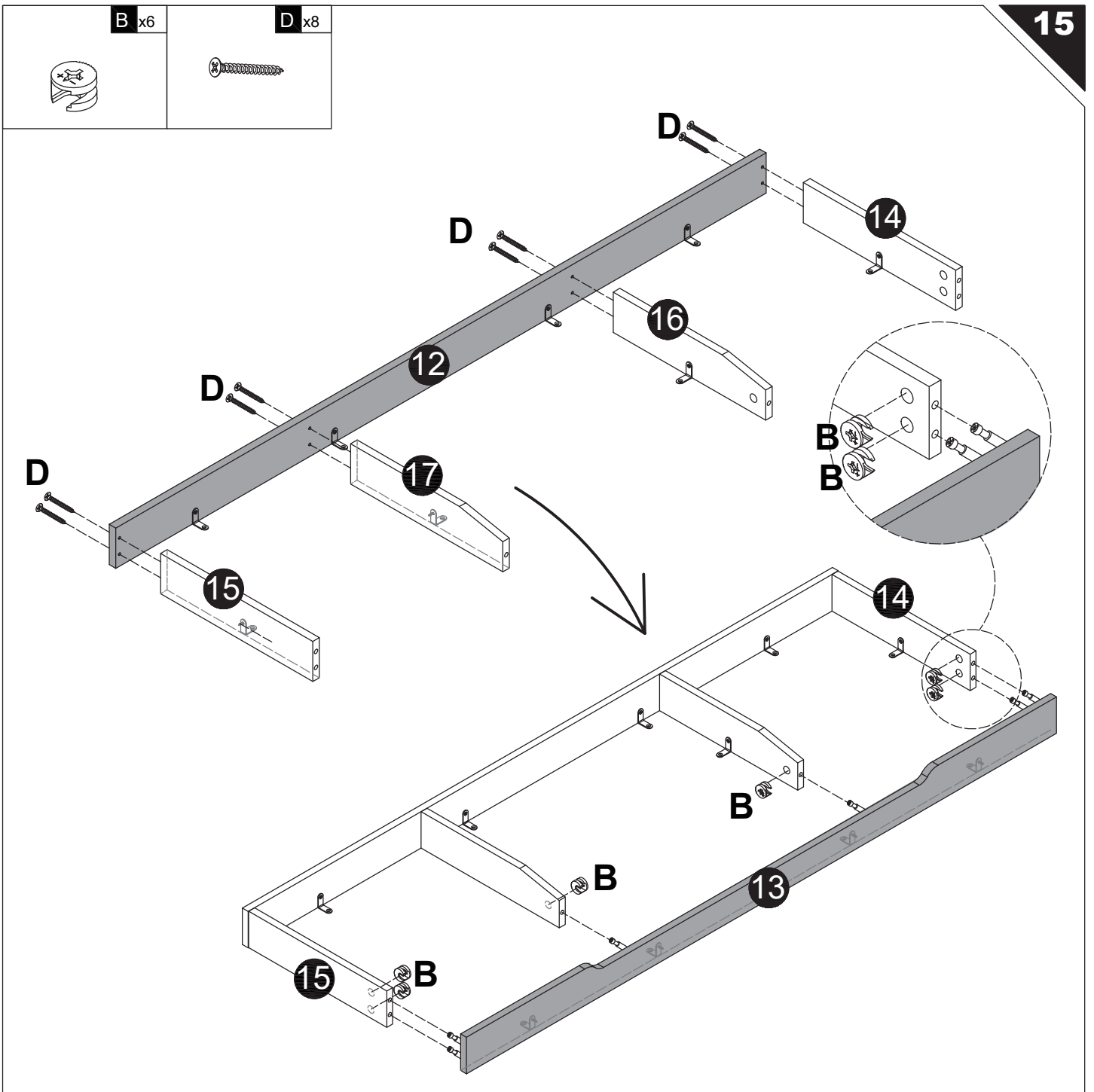
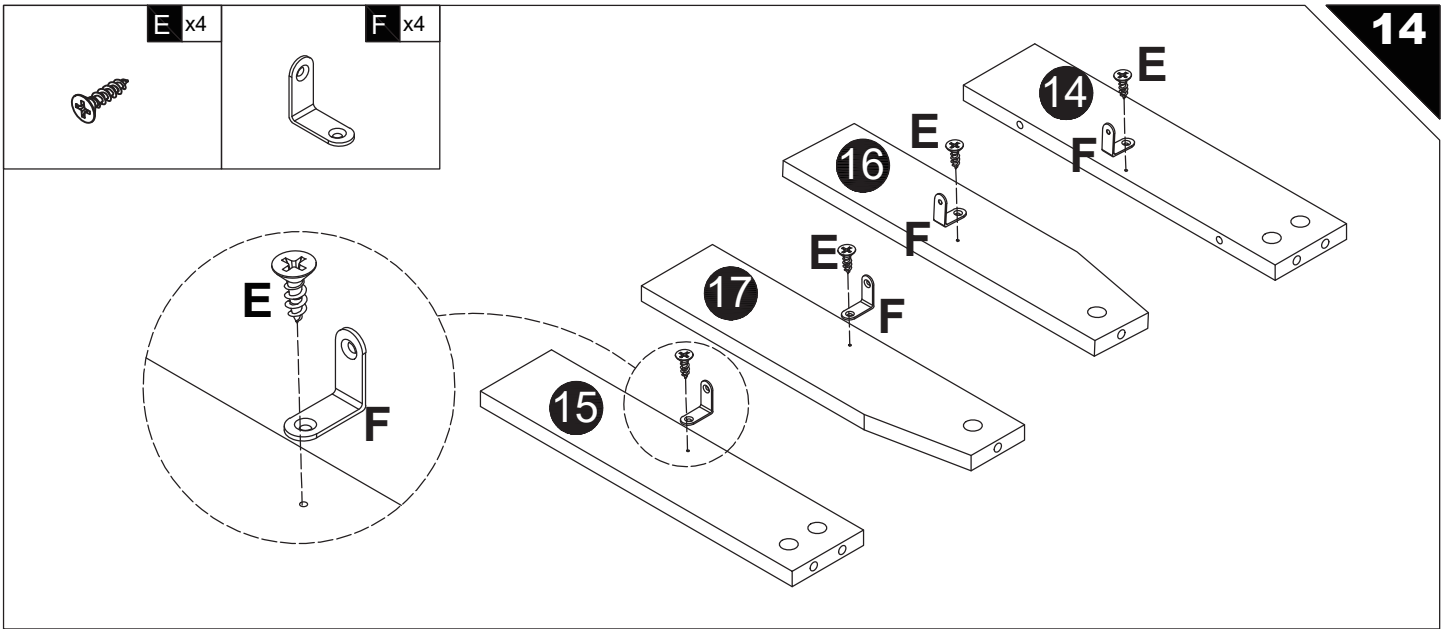


Need Two or More People To Complete

11



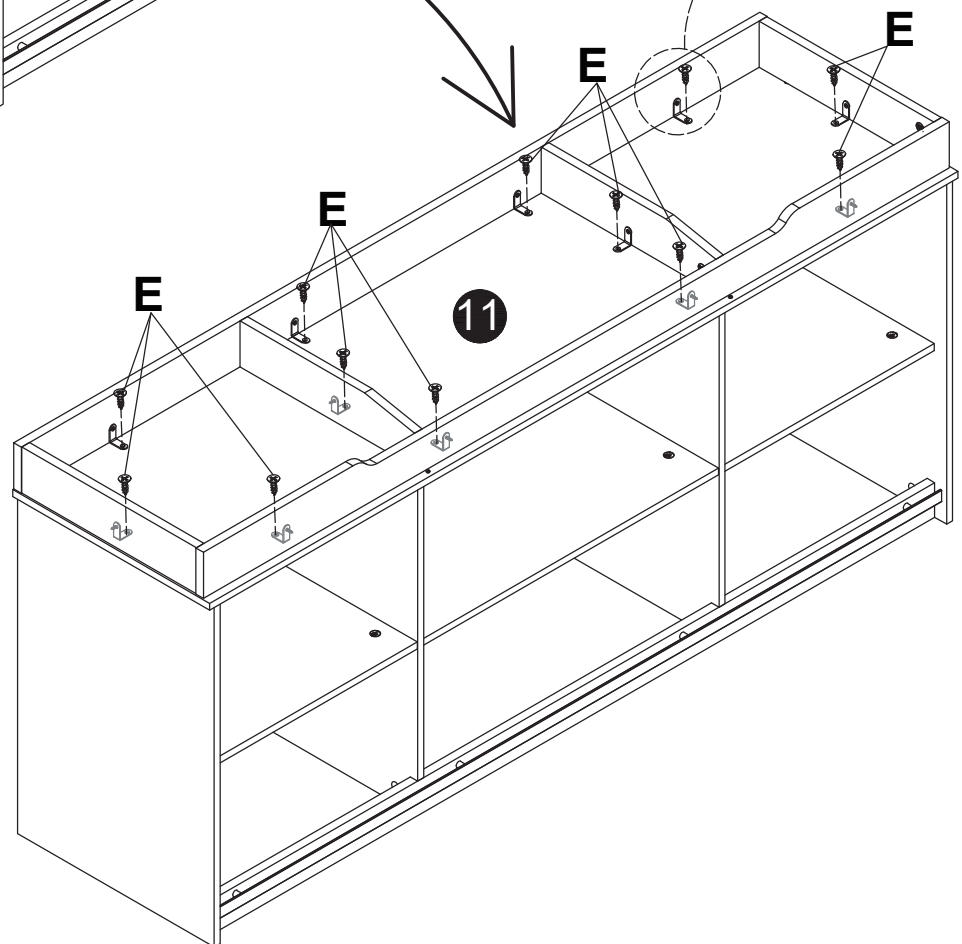
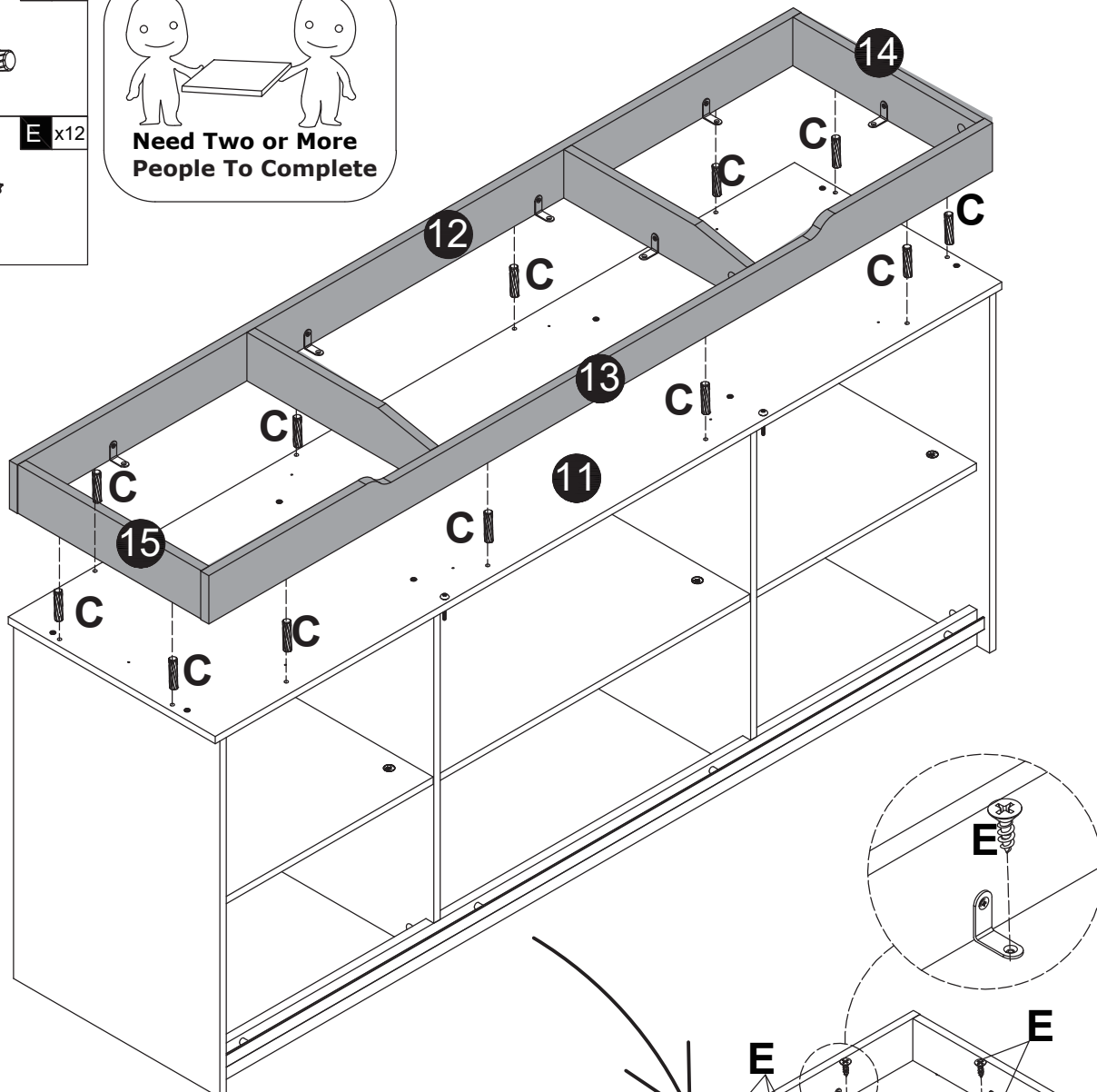
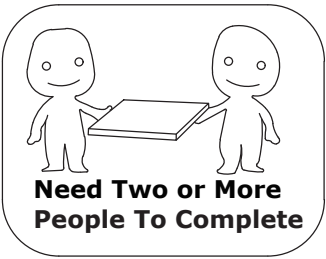




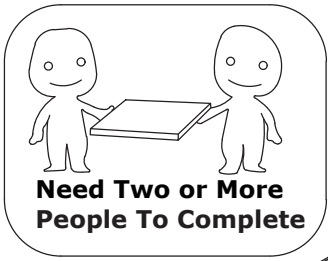
C x12



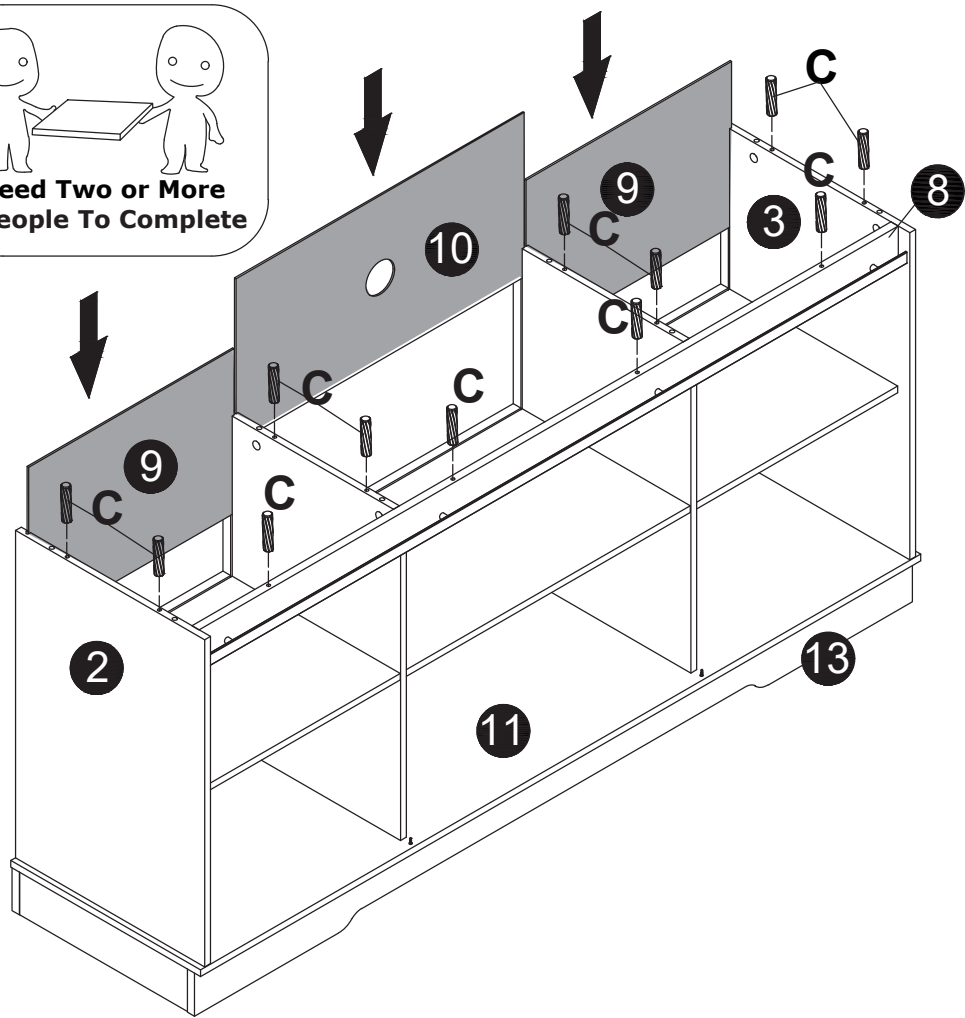
E x12



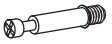
C x12



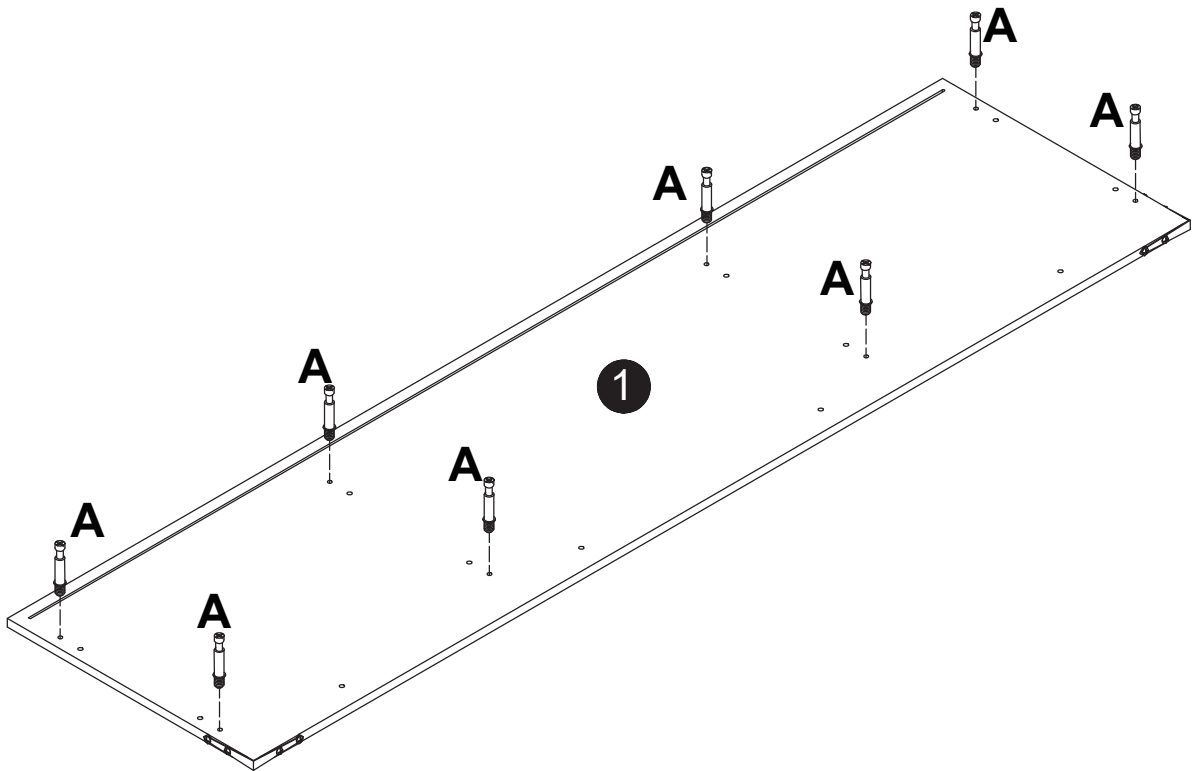
17



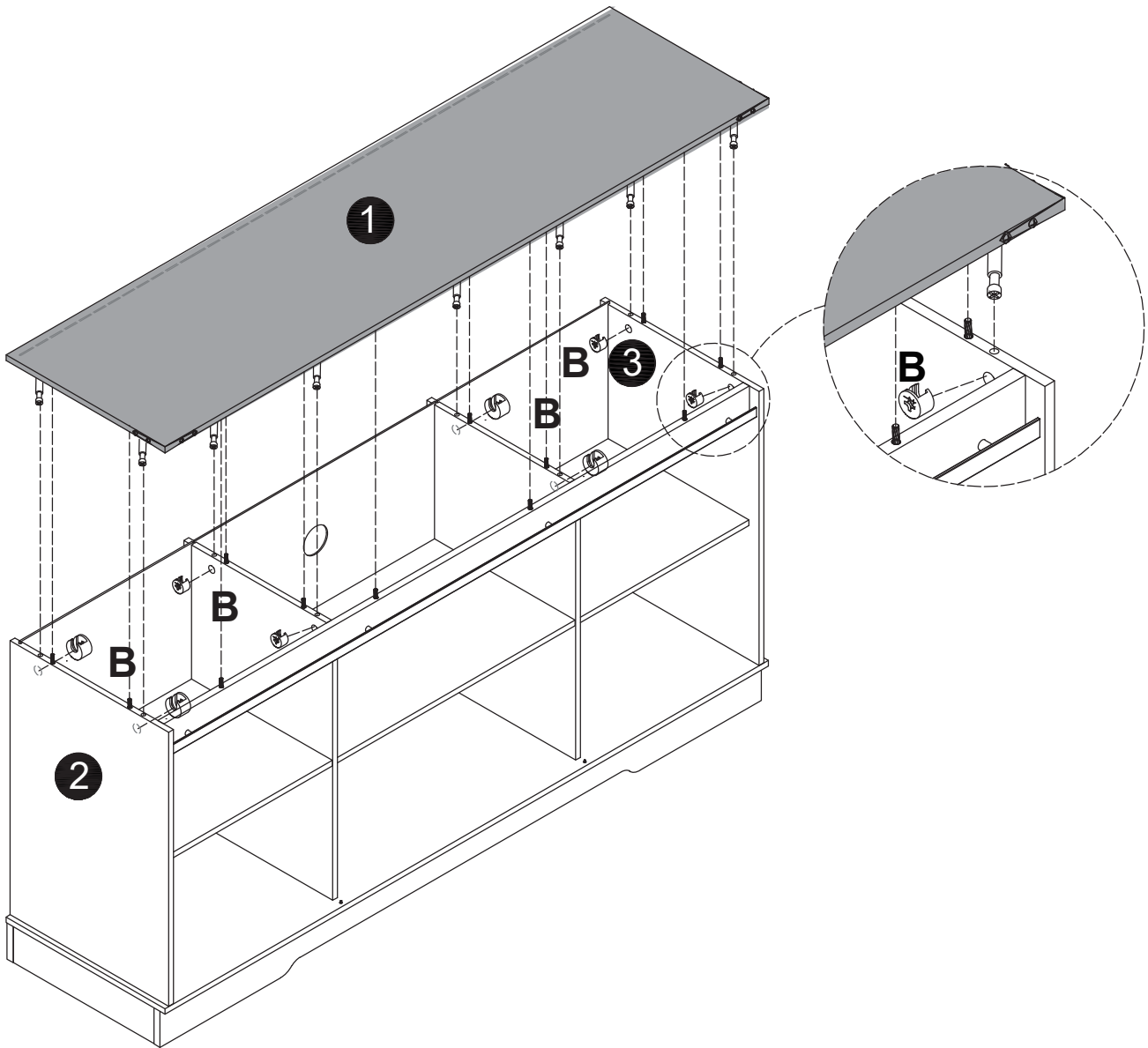
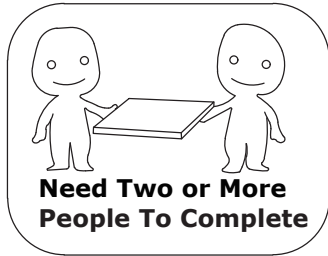
A x8



18

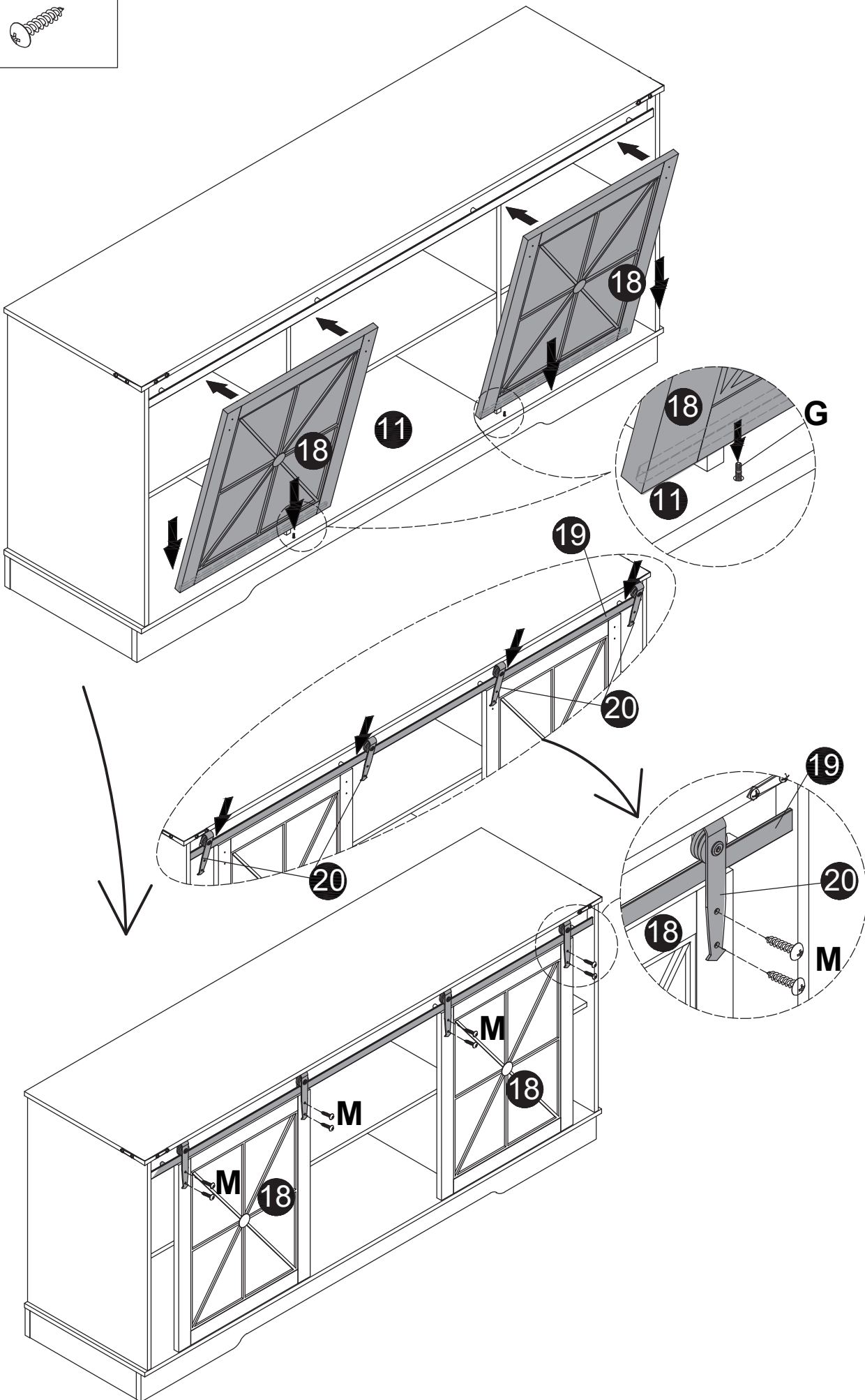


B x8



M x8

21



D x2



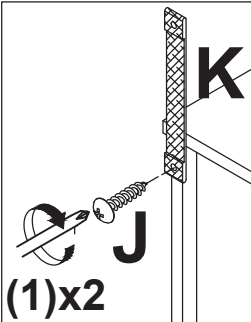
I x2



J x2

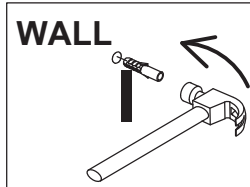


K x2



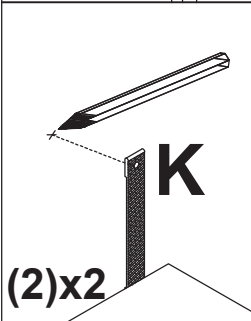
(1)x2

First fix the anti-rewind screw in the reserved hole of the product.



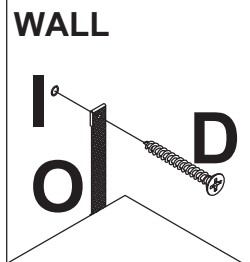
(4)x2

Then, put the expansion bolt into the hole



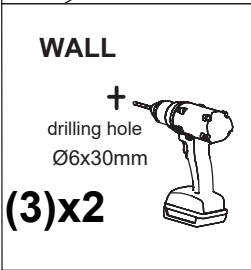
(2)x2

then, use a ruler to measure the approximate height of the product on the wall, and then mark it with a pen.



(5)x2

Finally, pass the matching screws through the "anti-rewind" and tighten them to fix them on the wall.



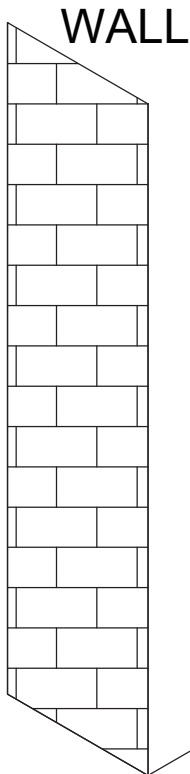
(3)x2

WALL

+
drilling hole
Ø6x30mm



Then use a tape drill to make holes in the wall that are suitable for the product screws.



WALL

