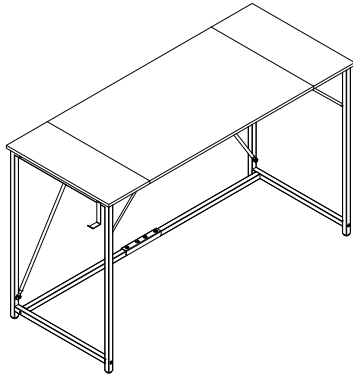
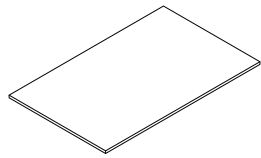


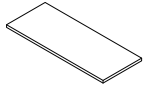
ASSEMBLY INSTRUCTIONS MONTAGEANLEITUNG



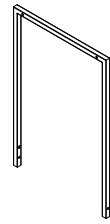
PARTS



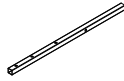
A X1



B X2



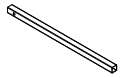
C X2



D X2



E X2



F X2



G X2



H X2



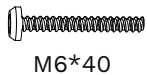
I X2



J X3



K X1



M6*40
① X10+1



M6*28
② X16+1



M6*16
③ X16+1



④ X4



⑤ X1

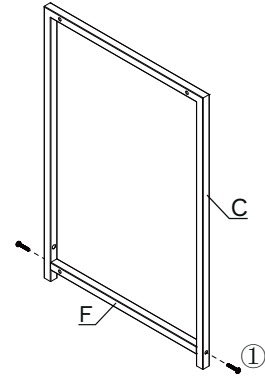


M6
⑥ X4+1



⑦ X1

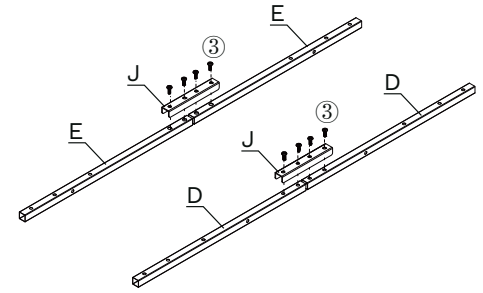
STEP 1



X2

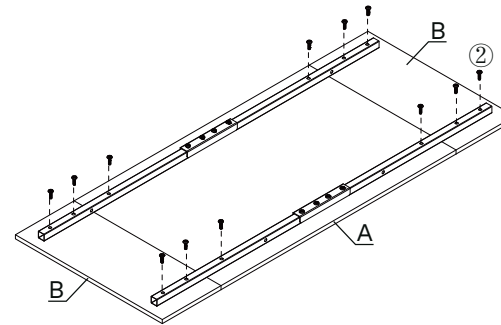
① X4

STEP 2



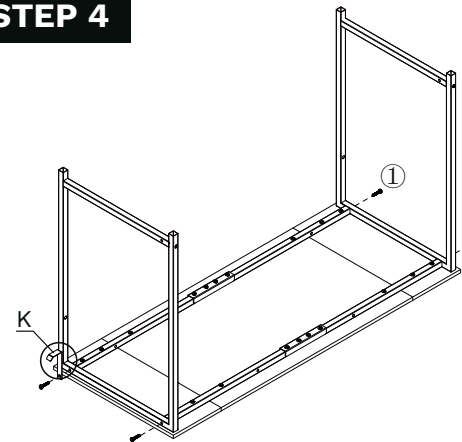
③ X8

STEP 3



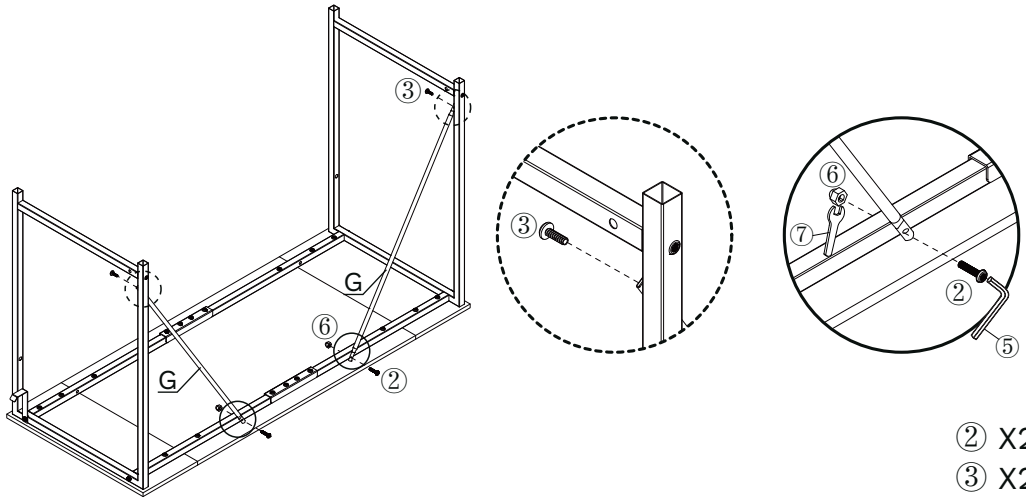
② X12

STEP 4



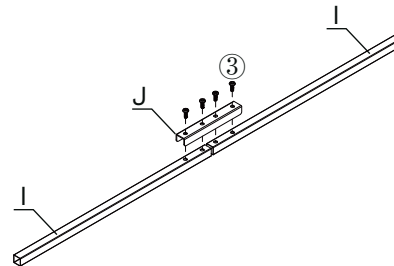
① X4

STEP 5



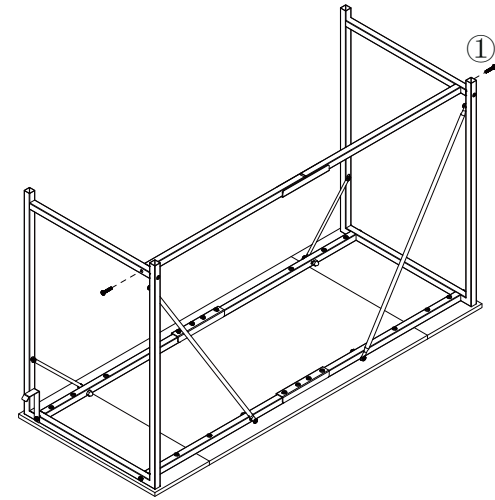
- ② X2
- ③ X2
- ⑥ X2

STEP 7



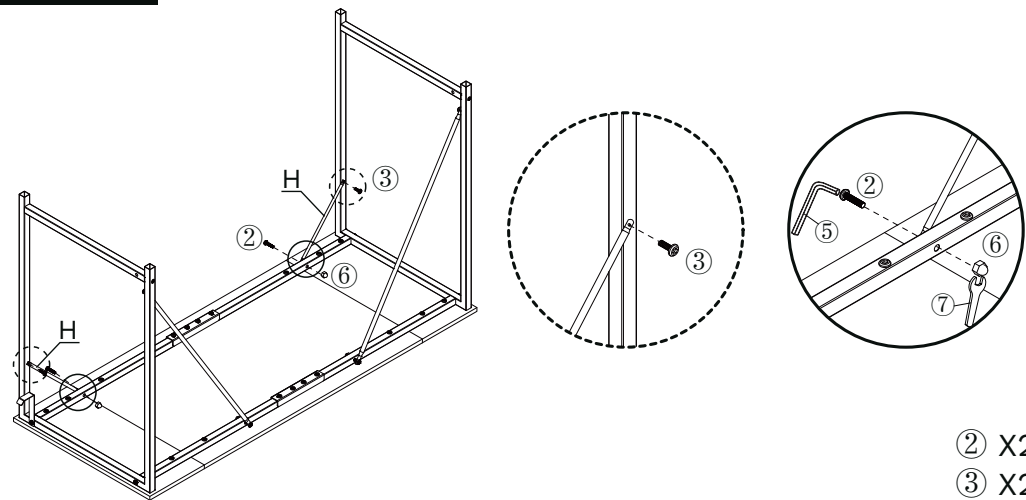
- ③ X4

STEP 8



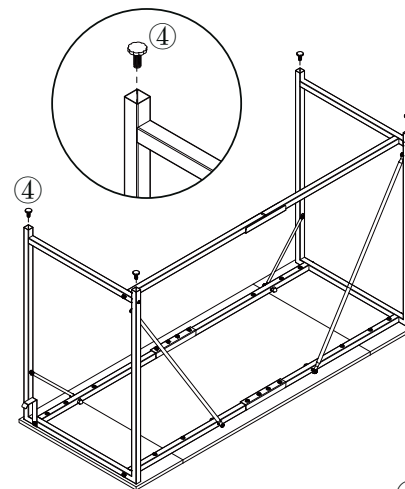
- ① X2

STEP 6



- ② X2
- ③ X2
- ⑥ X2

STEP 9



- ④ X4

FINISH

