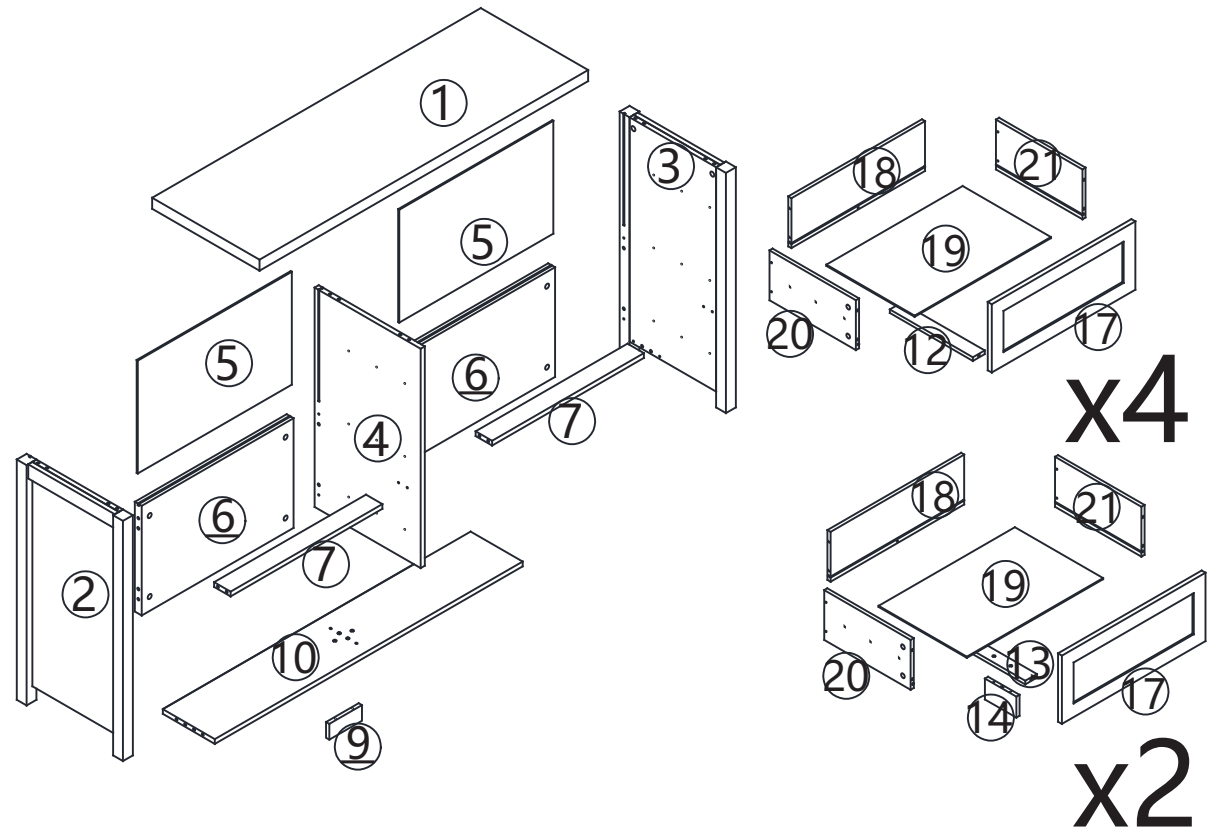
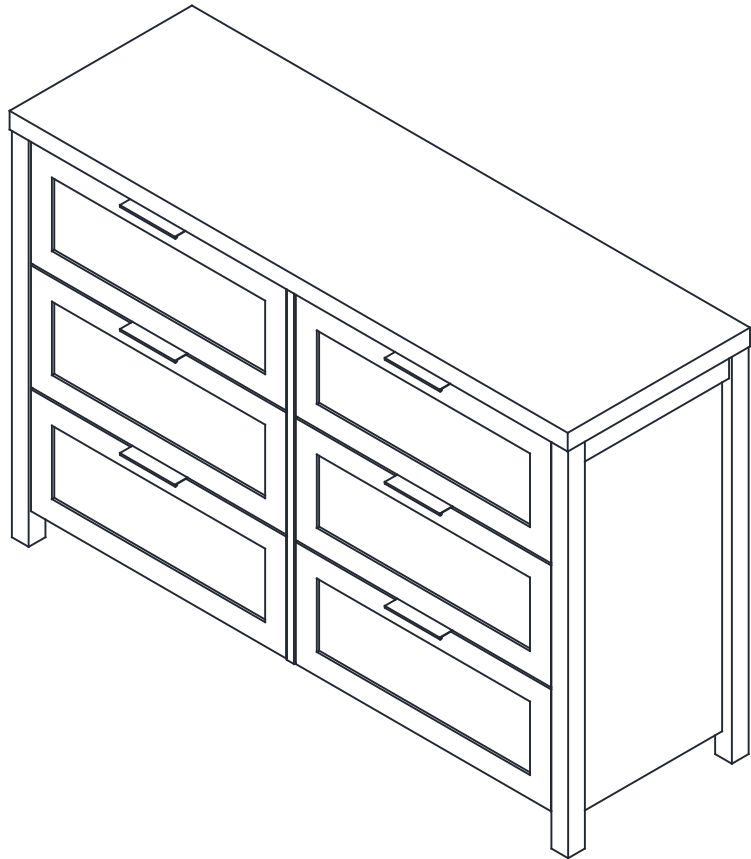





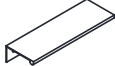













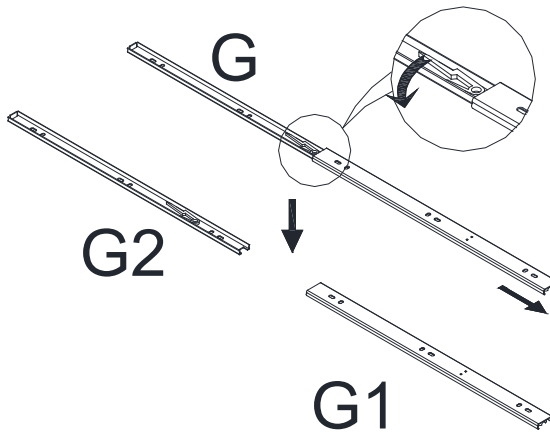


# Parts list



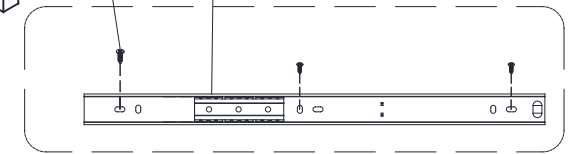
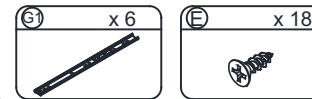
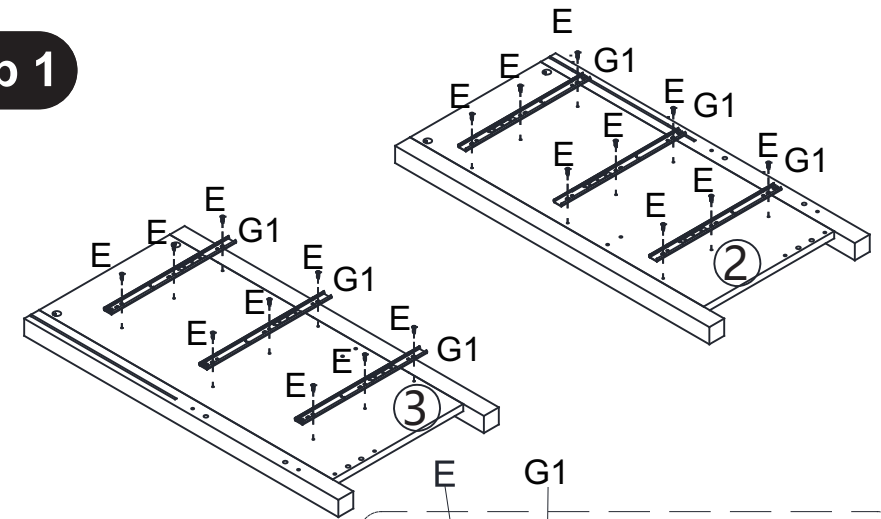
## Hardware list

<b>A</b> x56 	<b>B</b> x56 	<b>C</b> x19 $\phi 8*30\text{MM}$ 	<b>D</b> x38 $\phi 4*35\text{MM}$ 	<b>E</b> x84 $\phi 3*12\text{MM}$ 
<b>F</b> x6 	<b>G</b> x6 	<b>I</b> x56 	<b>H</b> x2 	  
<b>J</b> x6 	<b>K</b> x6 $\phi 3*16\text{MM}$ 	<b>L</b> x2 $\phi 8*50\text{MM}$ 	 	 

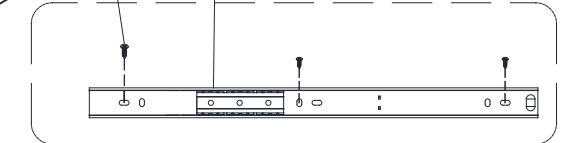
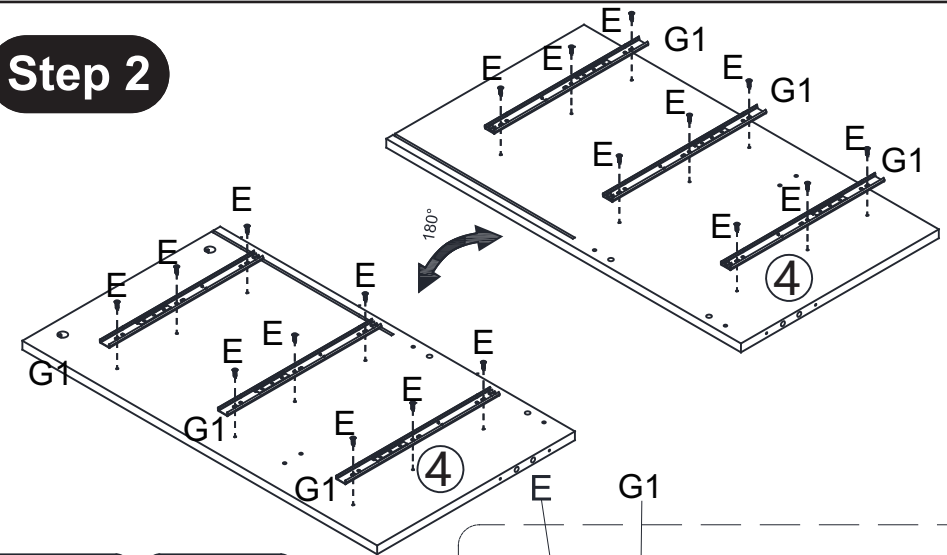


Flip the switch to separate G into G1G2

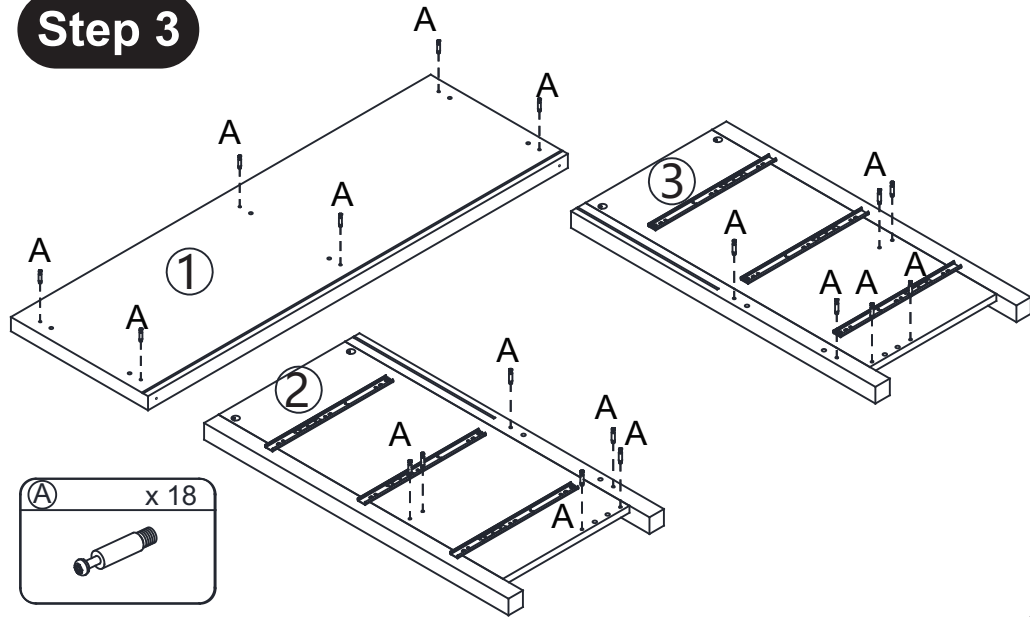
## Step 1



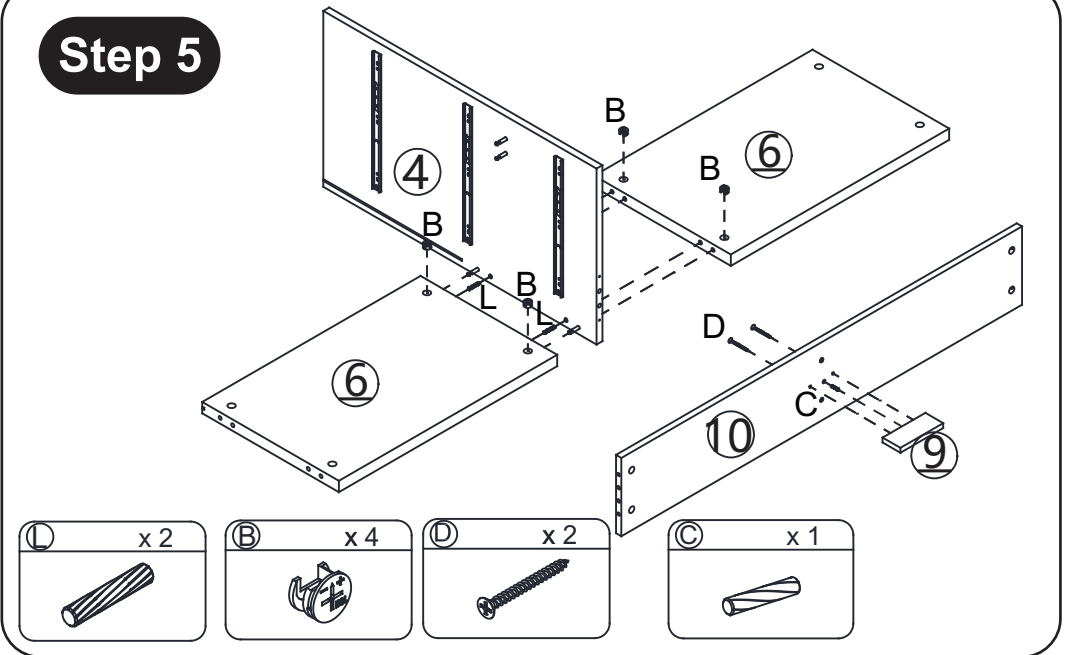
## Step 2



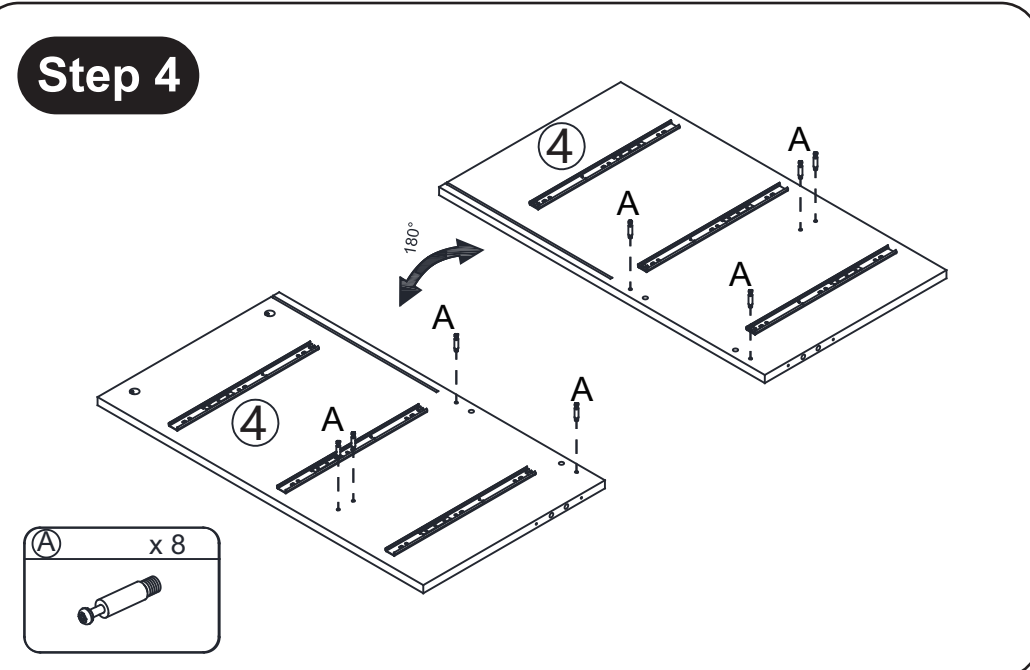
### Step 3



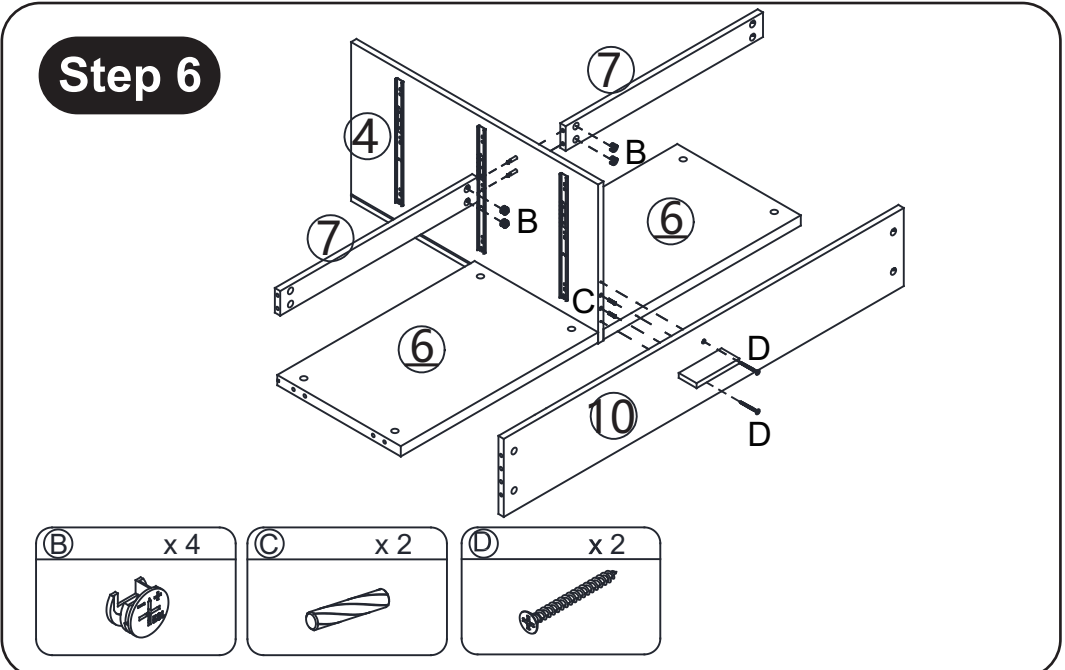
### Step 5



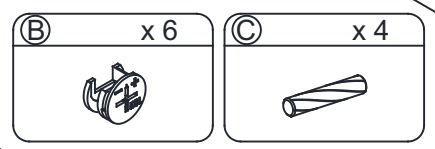
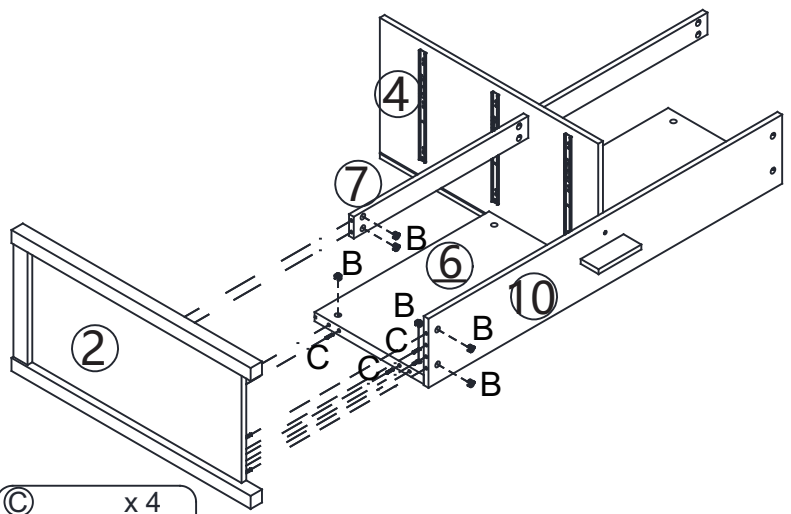
### Step 4



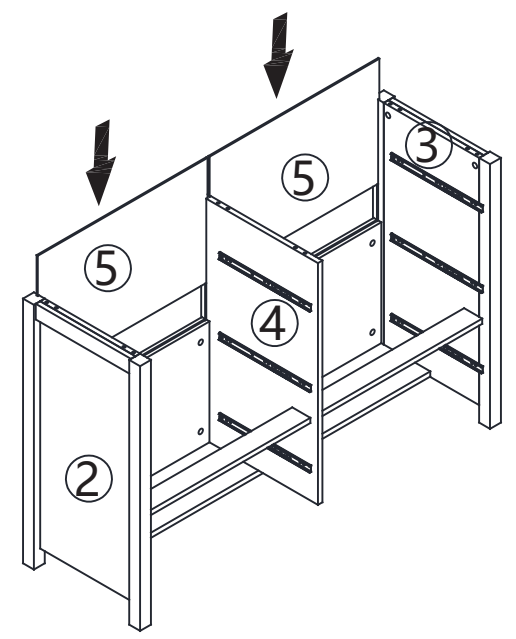
### Step 6



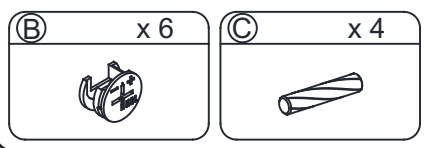
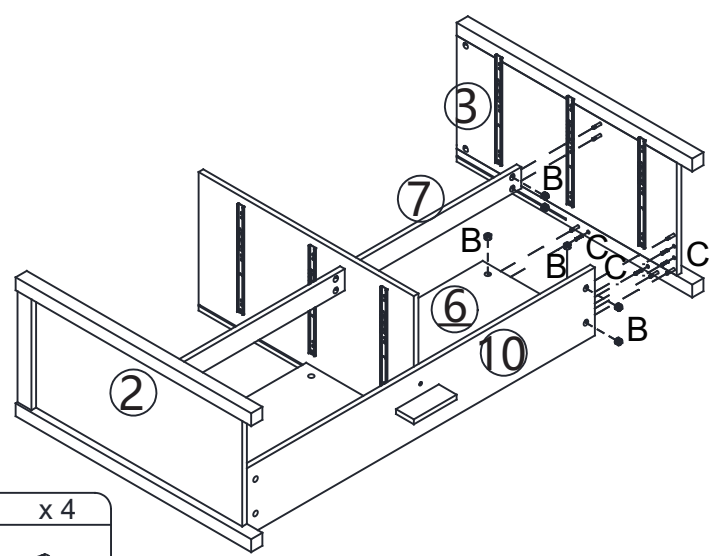
### Step 7



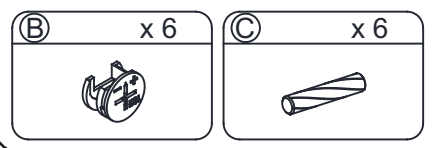
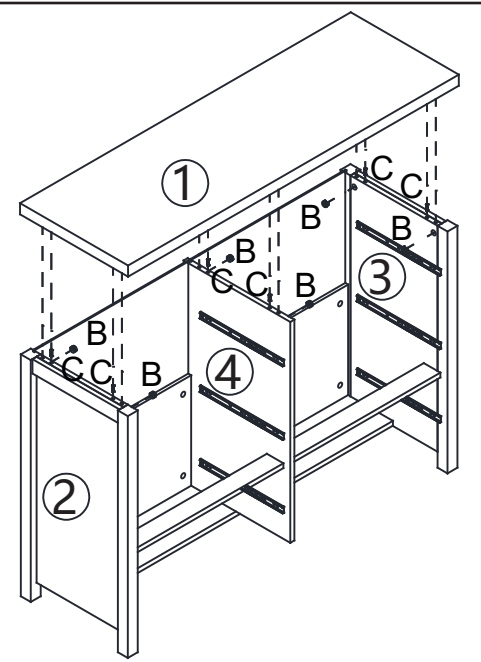
### Step 9



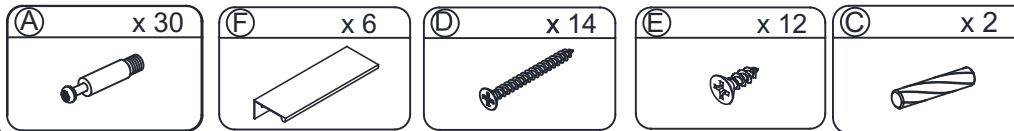
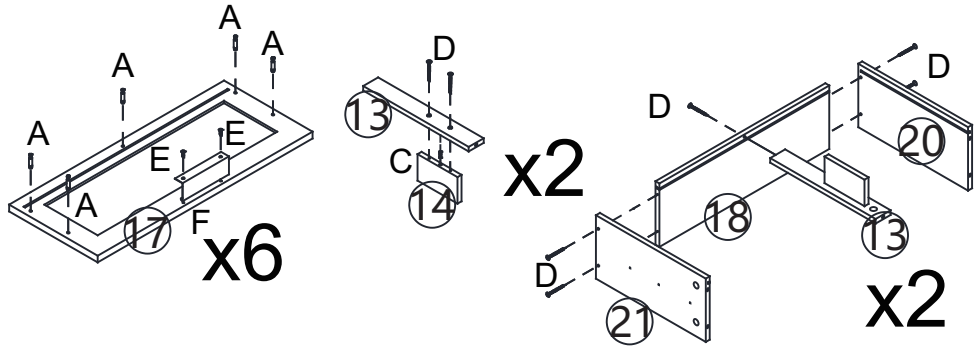
### Step 8



### Step 10



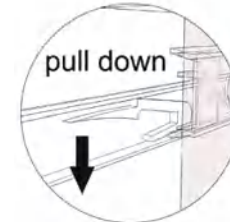
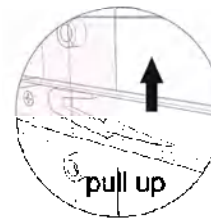
### Step 11



### Step 13

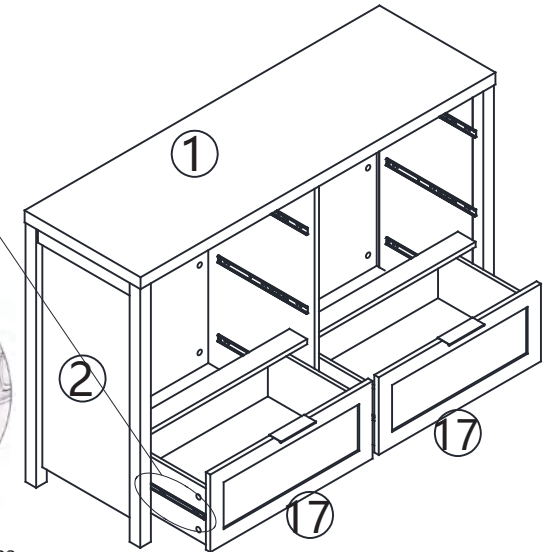
Install the drawer:

Take out the drawer:

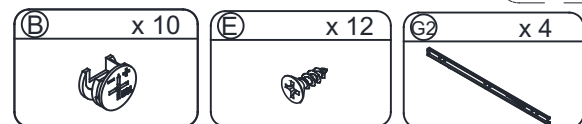
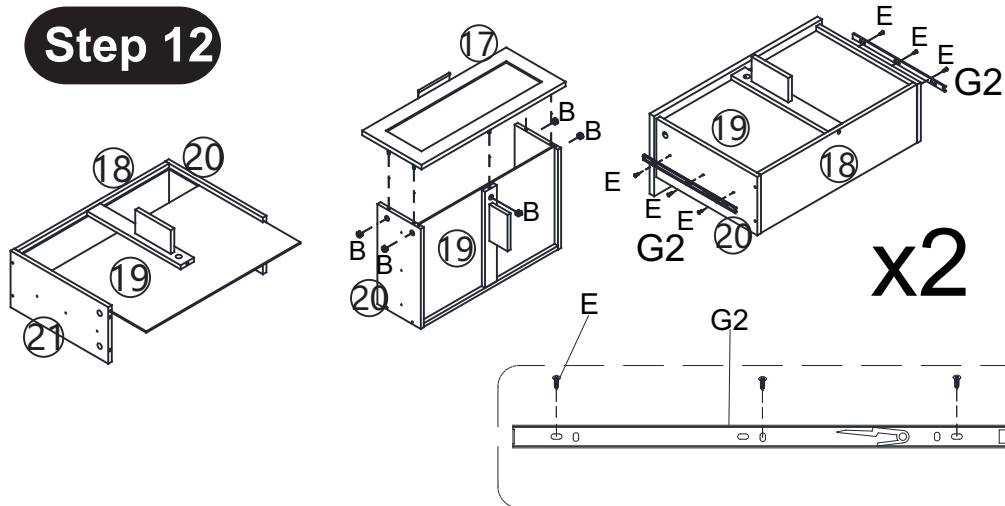


Left drawer slides

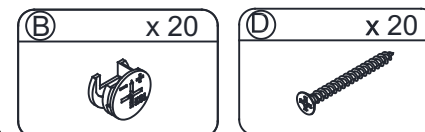
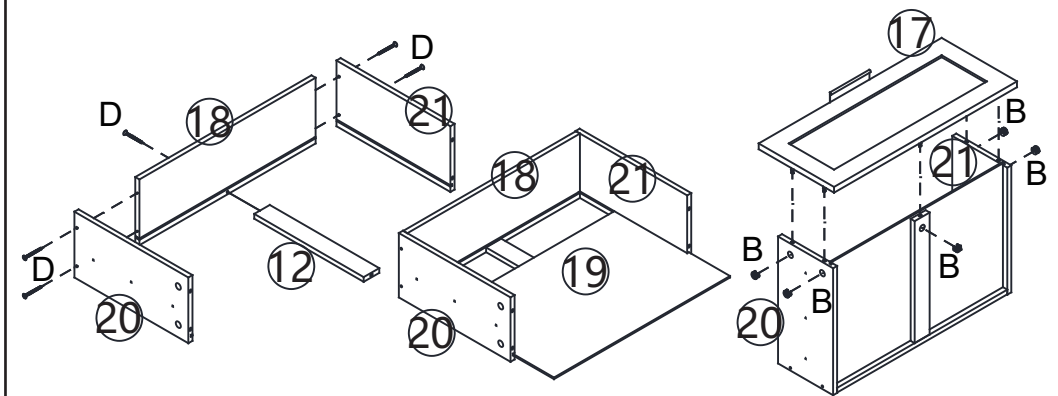
Right drawer slides



### Step 12

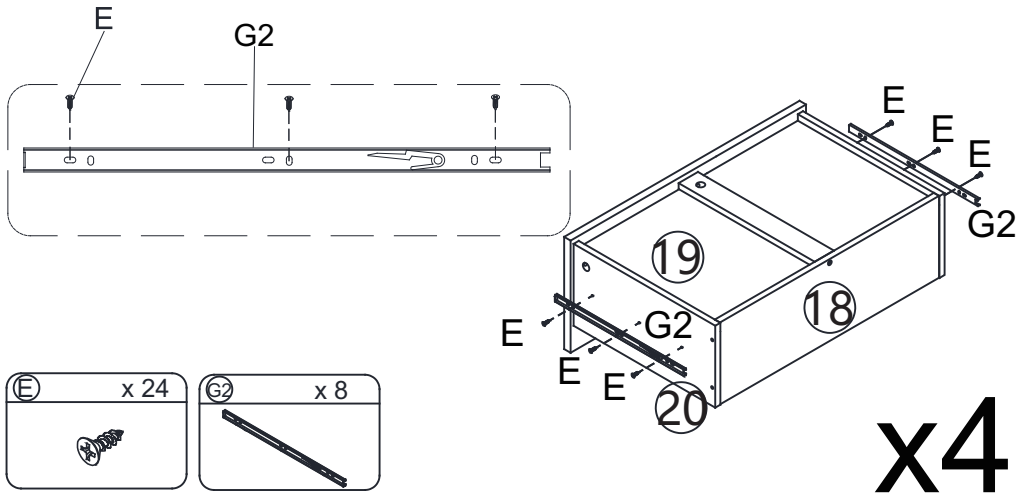


### Step 14

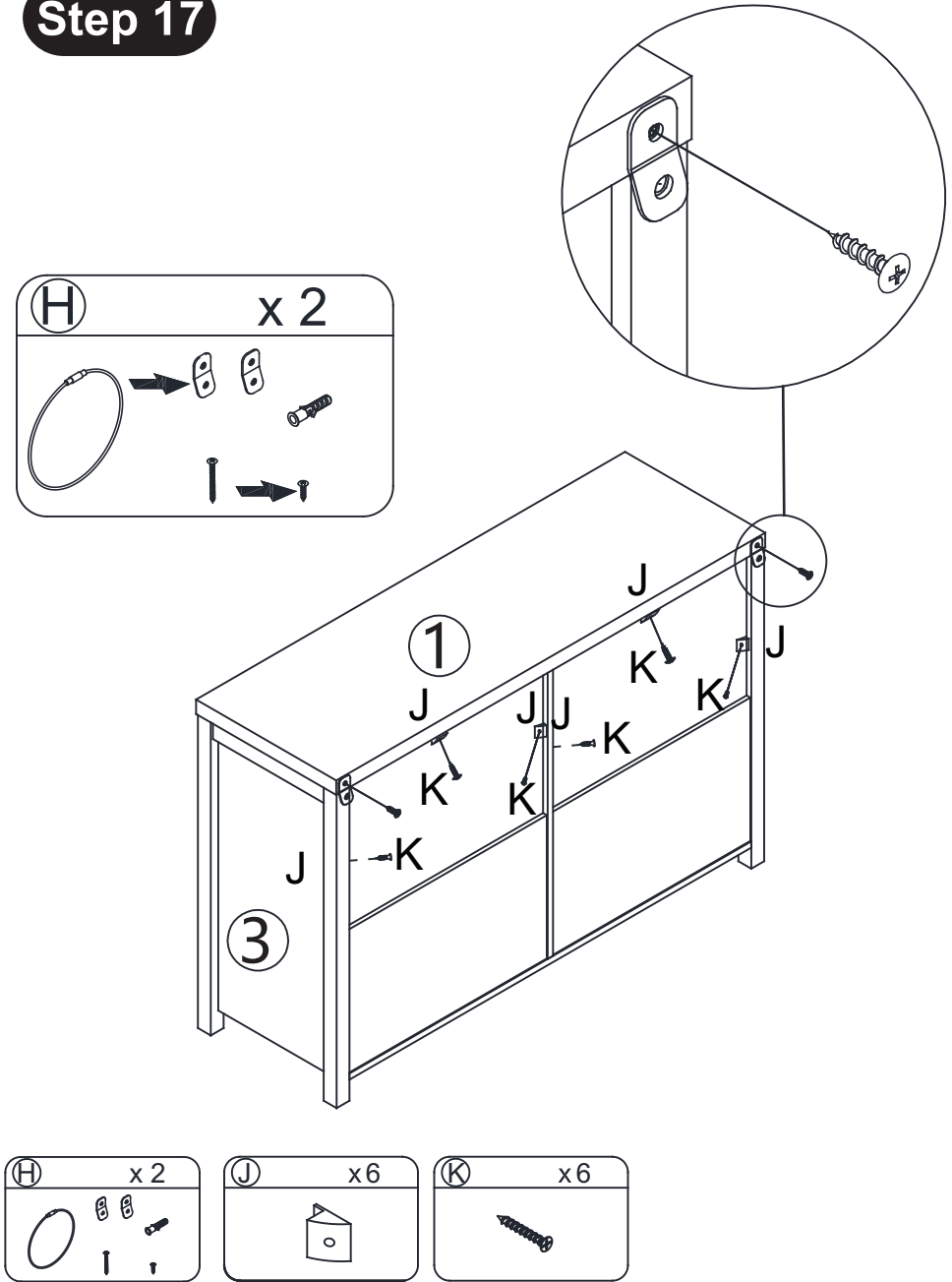


x4

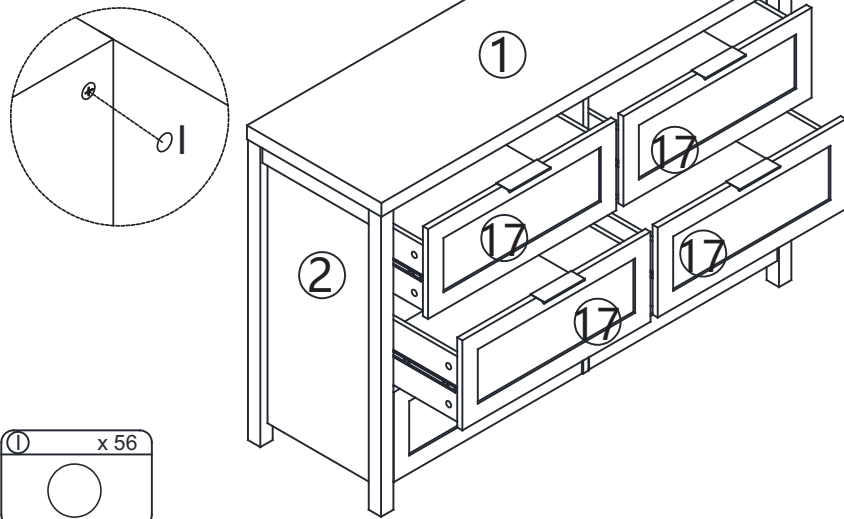
### Step 15



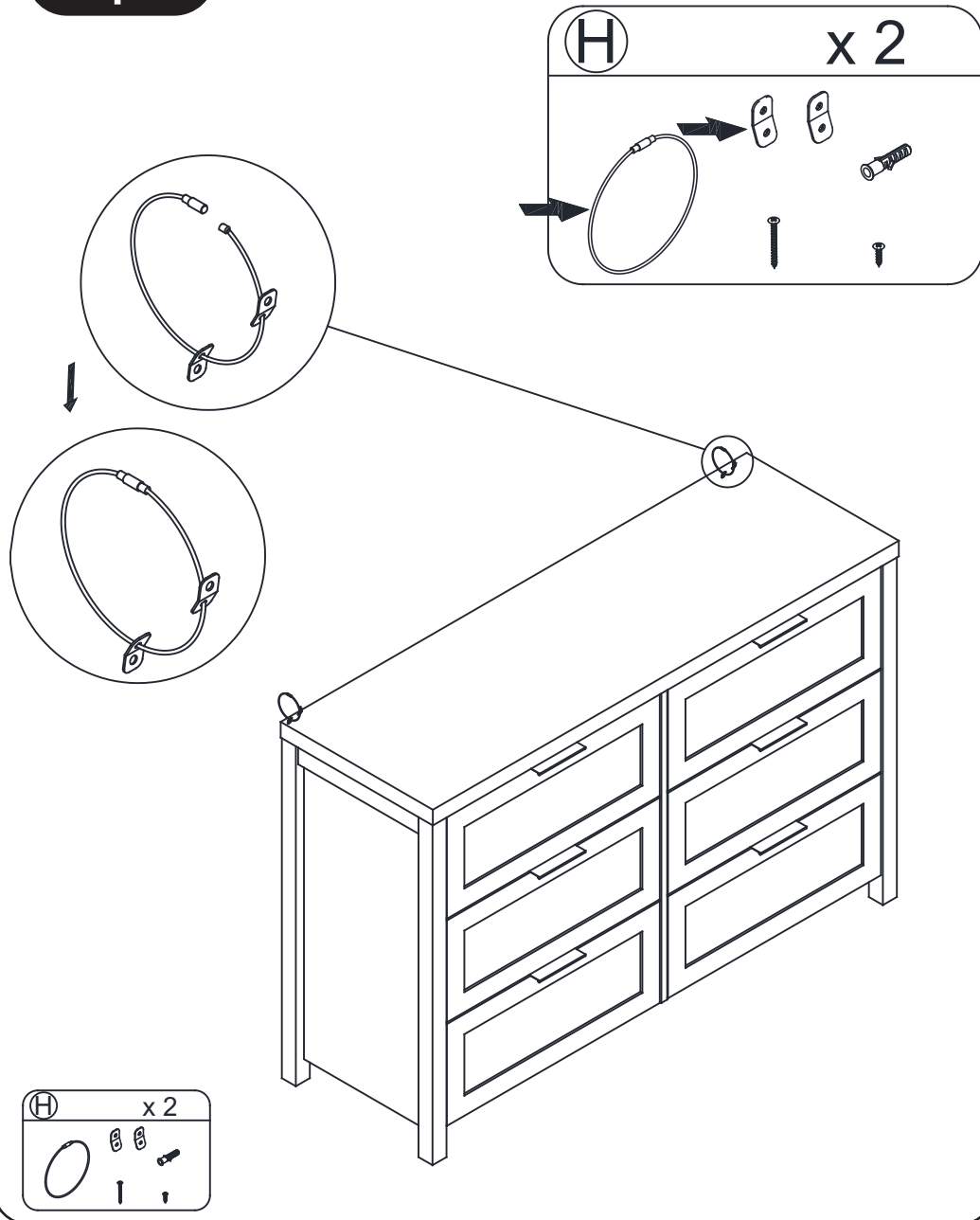
### Step 17



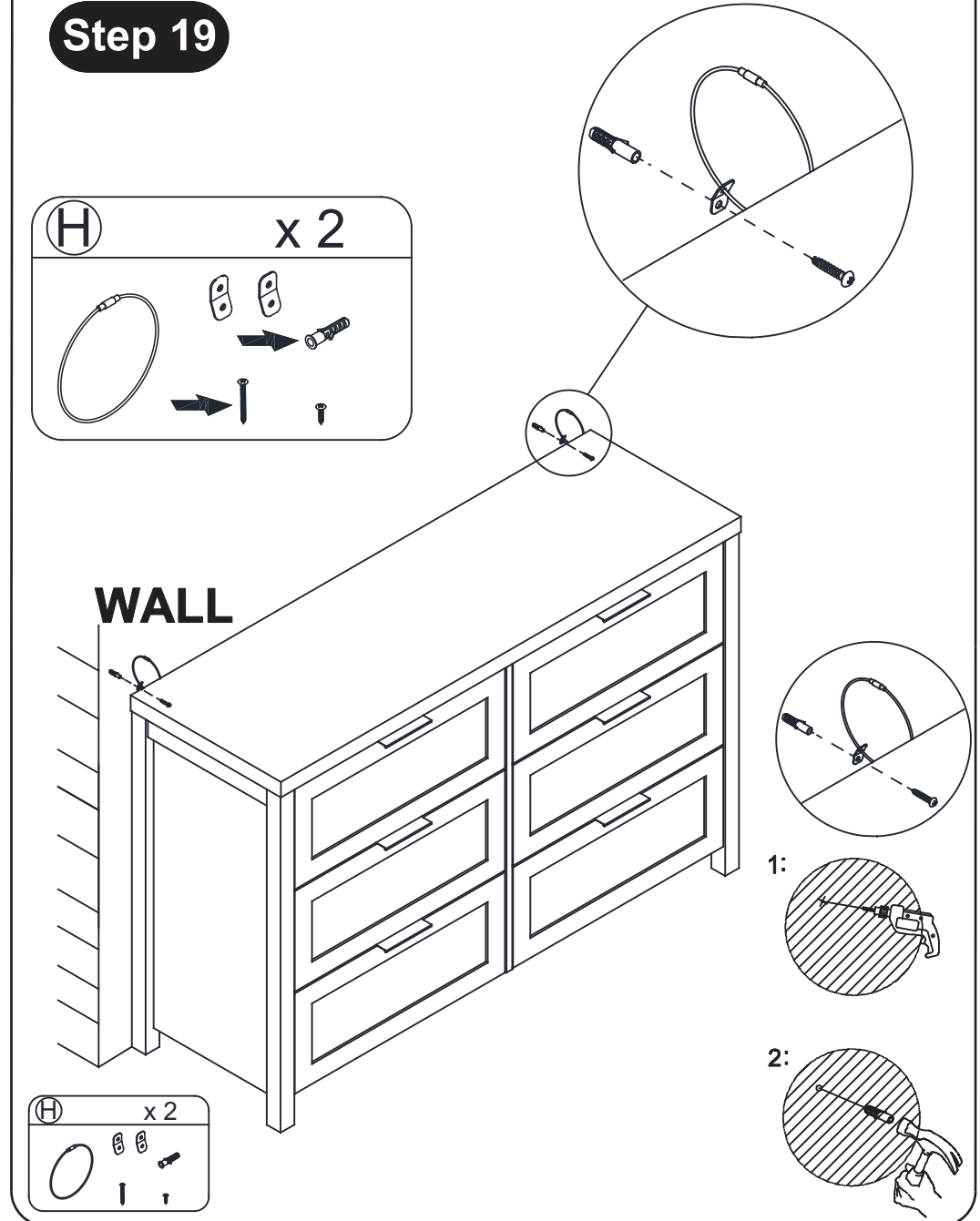
### Step 16



### Step 18



### Step 19



# **WARNING**



**Children have died from furniture tipover. To reduce the risk of furniture tipover:**

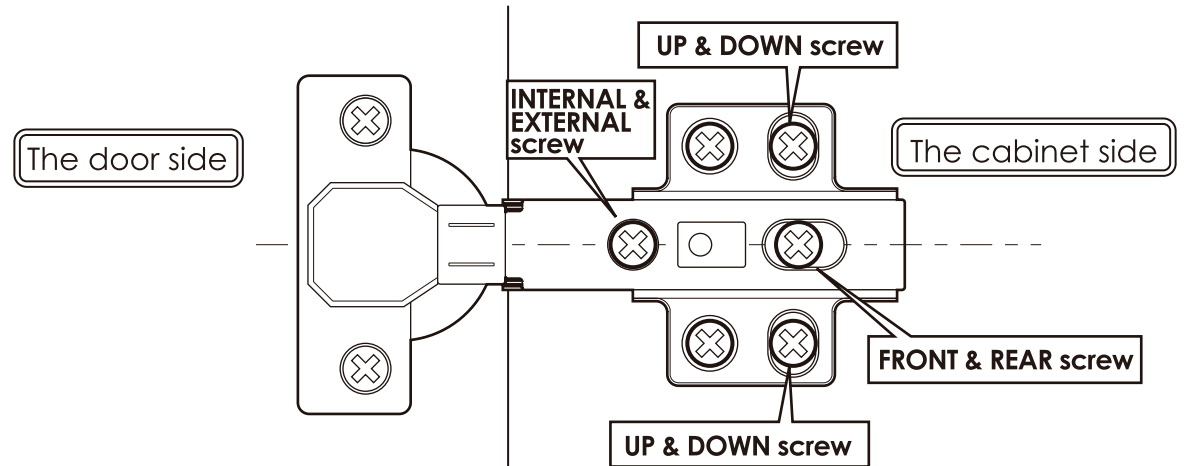
- **ALWAYS** install Anti-tip device provided.
- **NEVER** put a TV on this product.
- **NEVER** allow children to stand, climb or hang on drawers, doors, or shelves.
- **NEVER** open more than one drawer at a time.
- **Place heaviest items in the lowest drawers.**

***This is a permanent label.  
Do not remove!***

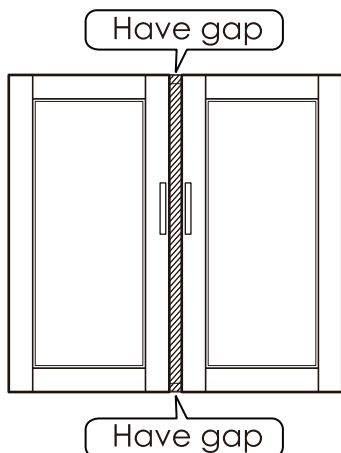
## Adjusting the door

- Before adjusting the hinge, please check whether the cabinet is skewed.
- If the skew can not be repaired, please remove the anti-tipping device first, then adjust the cabinet to vertical position.
- Please adjust the hinge with the door open.
- Please operate it with more than 2 people, one person holds the door and the other one adjusts the screw.
- Have trouble adjusting the door? Please check out our video on adjusting the door via our website

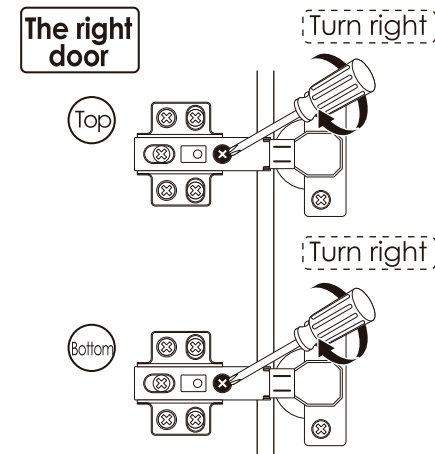
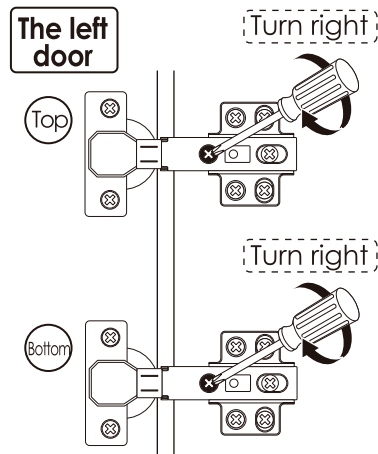
### Components Name



### Obvious gaps between doors or Doors don't look closed



- 1 Turn "internal & external screw" to the right can make the door approach inside. Please adjust the doors little by little.



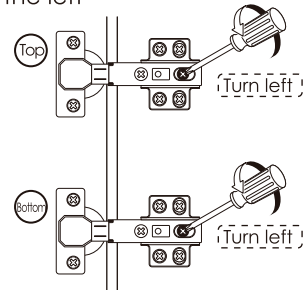
※ If the 2 doors are overlap, please turn the "internal & external screw" to the left.

### When door is crooked



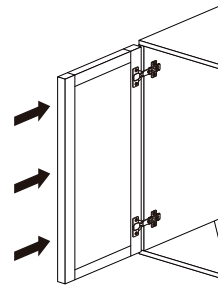
Please take the following steps to adjust first.

- 1 Rotate the "front and rear screws" to the left

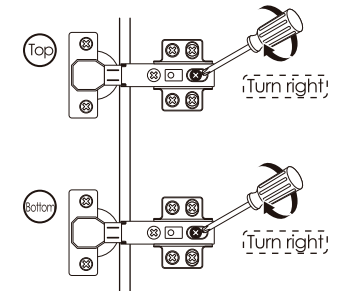


※ After adjusting the "front and rear screw", the door still does not change, please turn the "internal & external screw" to the right slightly.

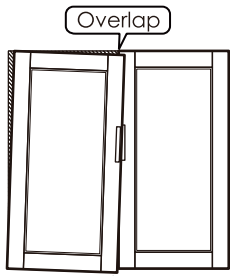
- 2 Push the door to the cabinet



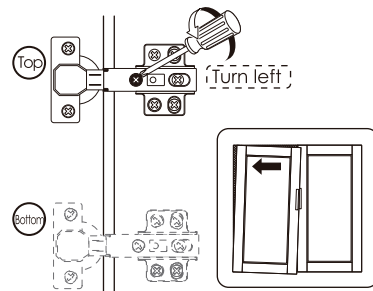
- 3 Rotate the "front and rear screws" to the right



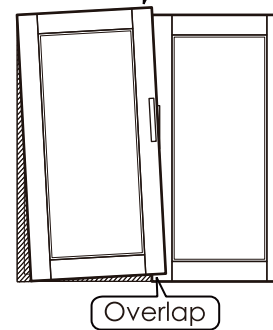
### When door is leaning



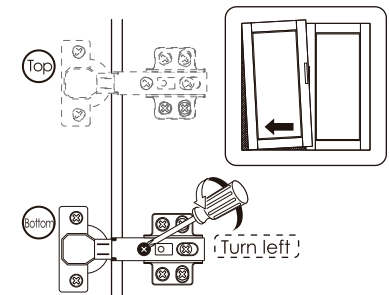
- 1 Turn "internal & external screw" to the left can make the top of the door tilted outward.



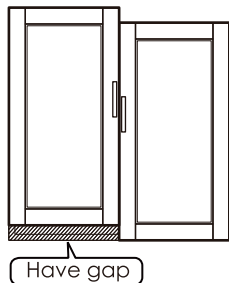
### Protruding to the upside



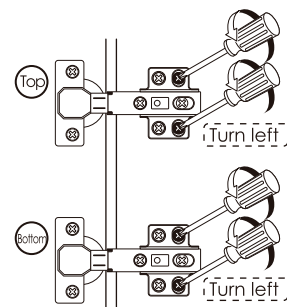
- 1 Turn "internal & external screw" to the left can make the bottom of the door tilted outward.



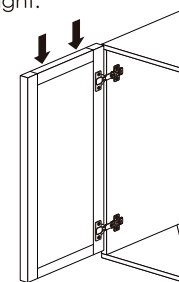
### When the door is higher on top



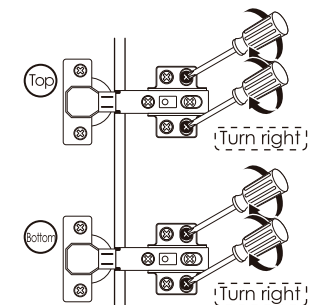
- 1 Turn "up & down screw" to the left



- 2 Lower the door's height so that 2 doors are of the same height.

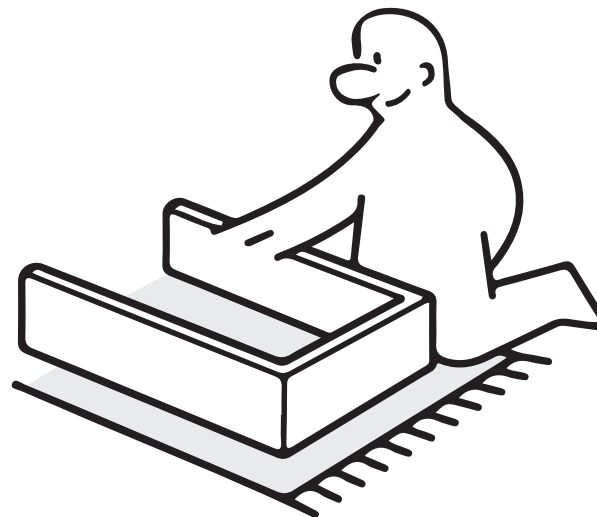
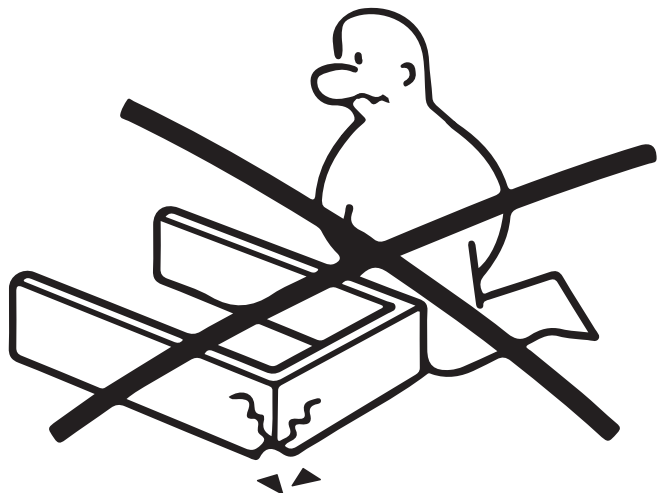


- 3 Turn "up & down screw" to the right



※ If the door is lower on bottom, please lift up the left door slightly on step 2

※ **Stay Scratch-Free: Safeguard Your Furniture by Assembling on Carpet.**



※ **Stuck in Assembly Limbo? Contact Our Support Team for Quick Solutions!**

