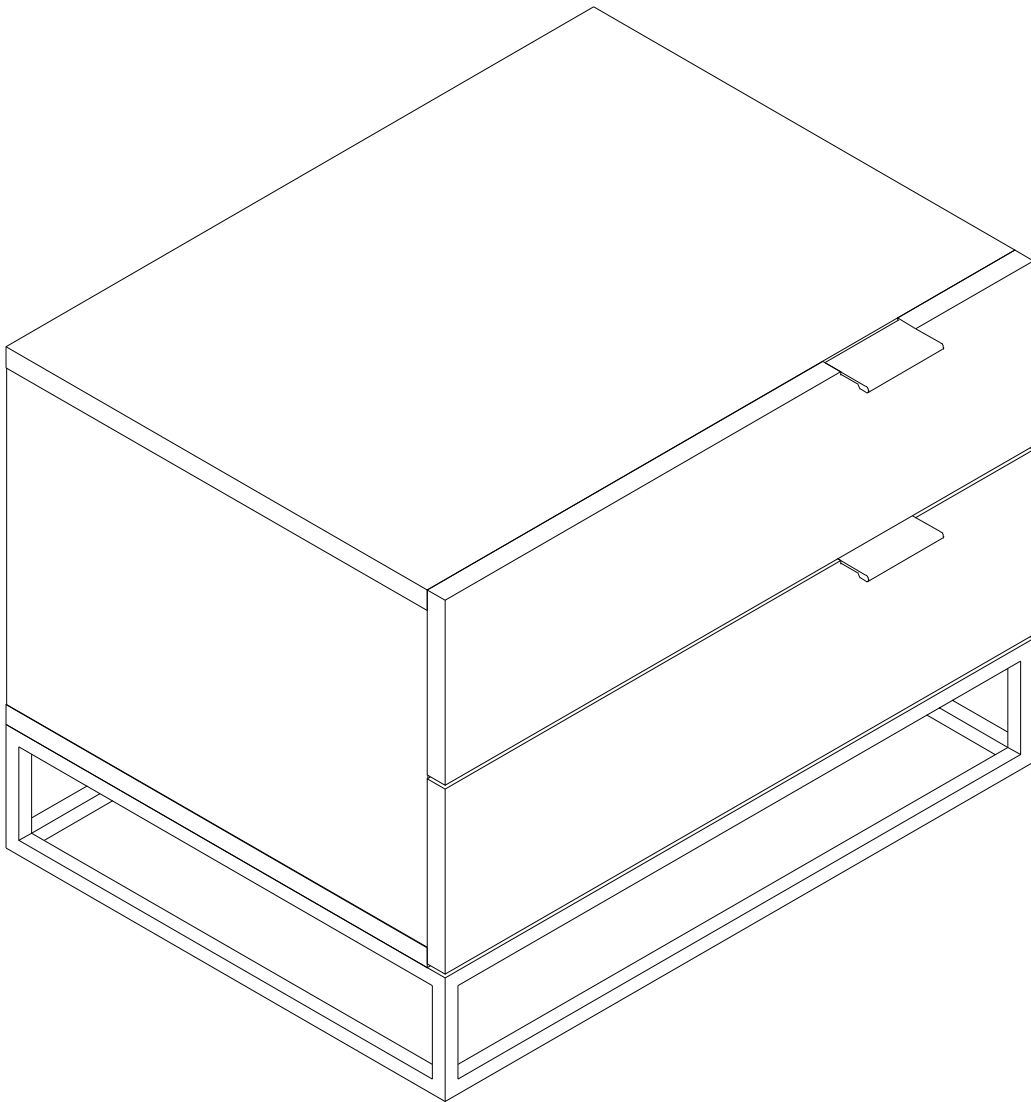
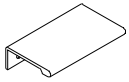
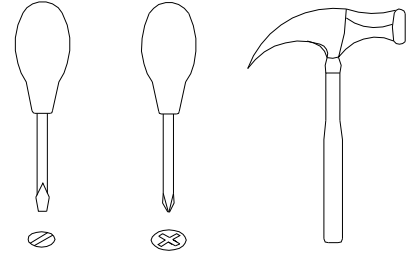
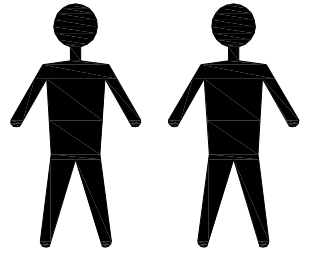


ASSEMBLY INSTRUCTION





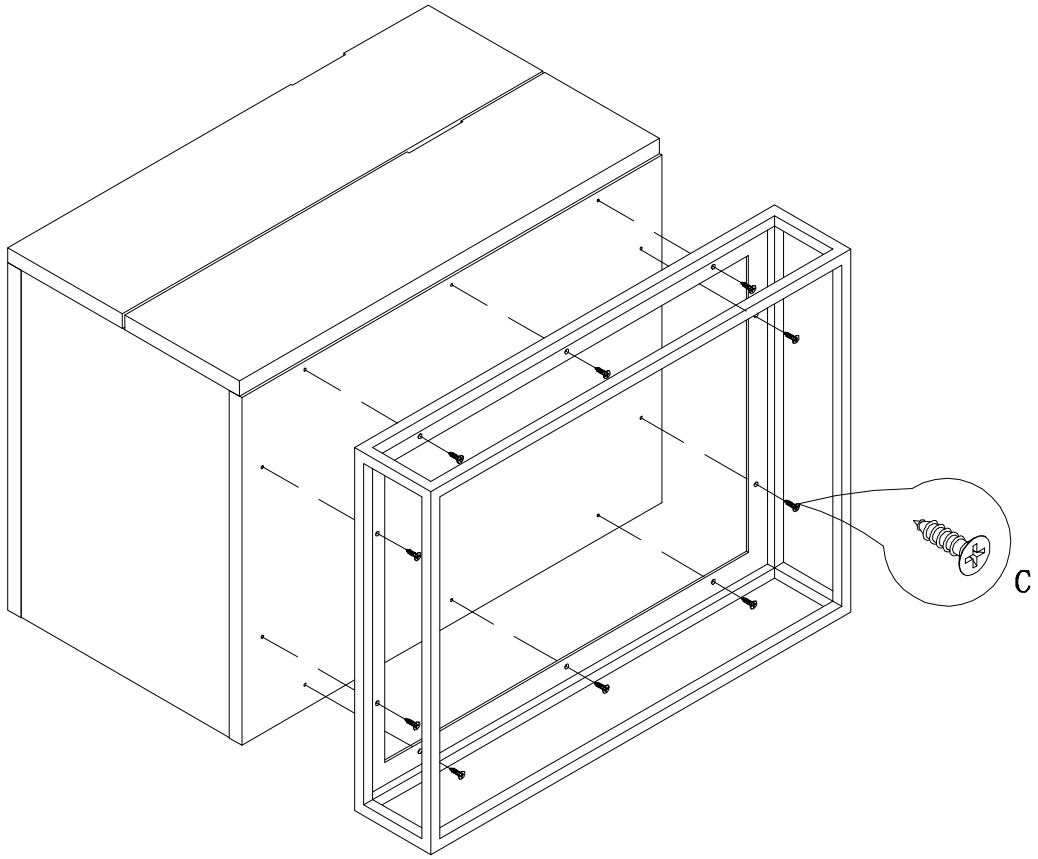
A x2
Spec:



B x4
Spec: Ø3.5*L11



C x10
Spec: 3.8*L16



1

2

