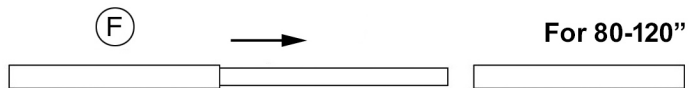
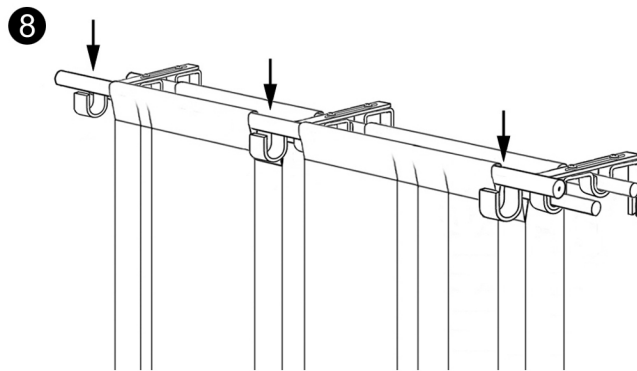


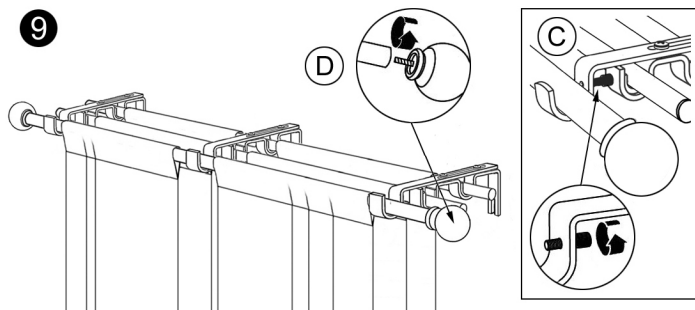
Use 2 telescopic rod sections  
(1 larger diam. and 1 smaller diam.).



Use 3 telescopic rod sections. Extend the smaller diam.  
rod that is nestled in the larger diam. rod. Then insert  
the smaller diam. center rod into the second larger  
diam. rod section.



Place drapery panels (not included) onto drapery rod  
and extend to desired length. Hang rod in front position  
on brackets.



Screw finials (D) onto ends of rod and tighten set  
screws on brackets (C) to secure rod in place.