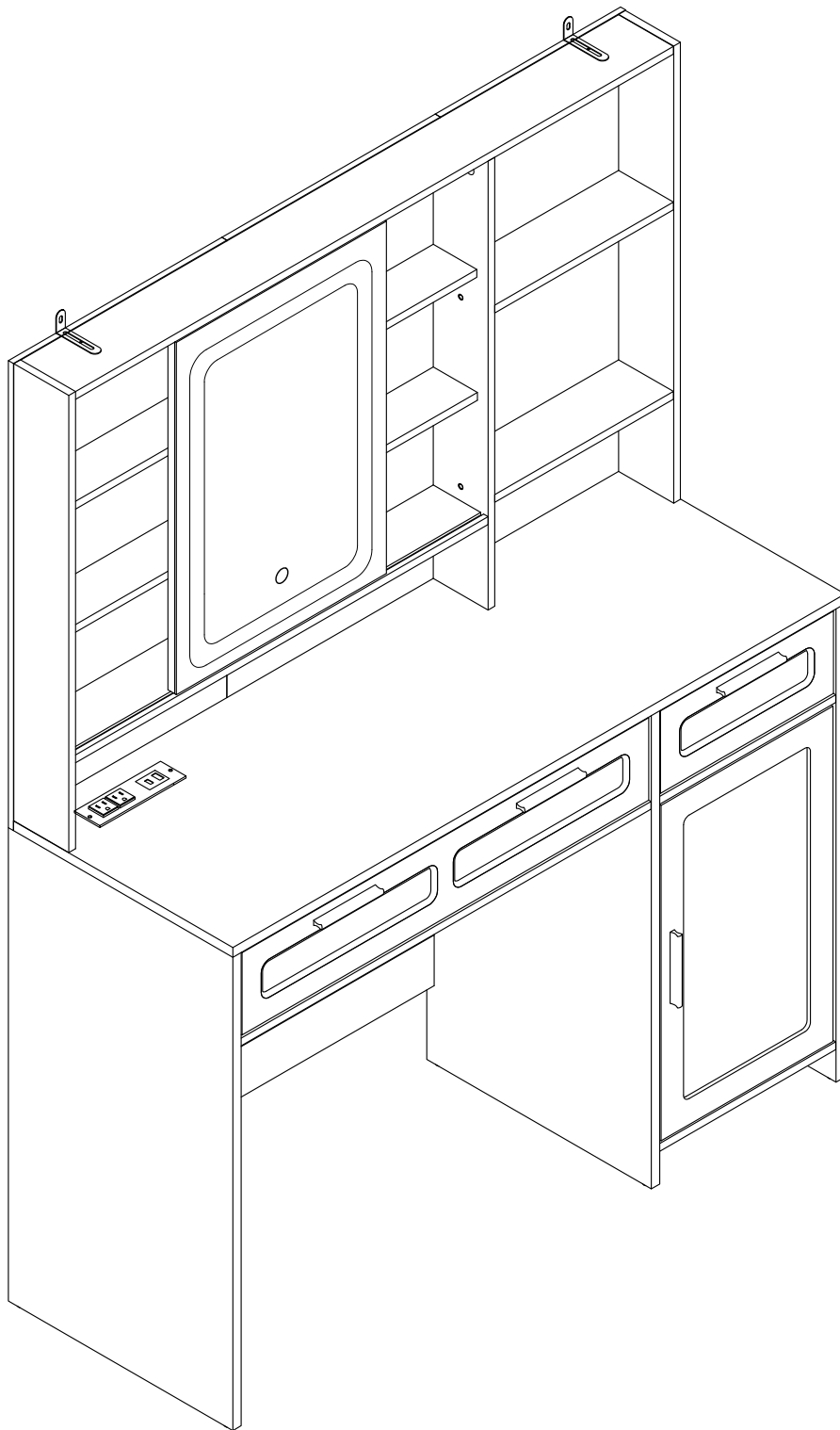

















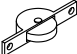




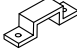

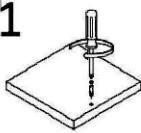
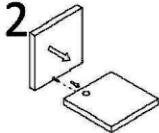

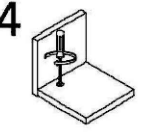



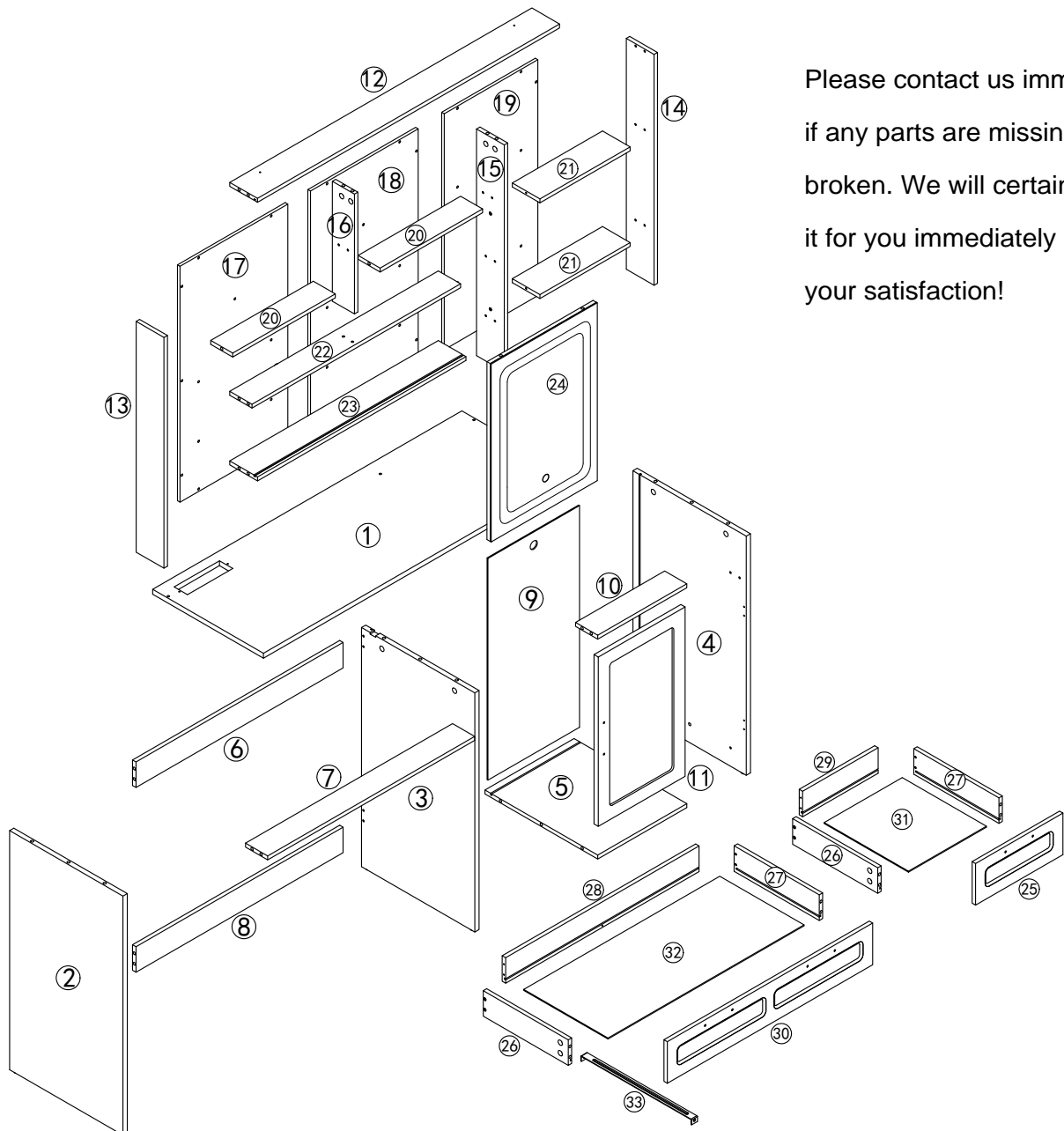
# User Manual



Please feel free to contact us, we offer 24h online services:  
**[service@hadulcet.com](mailto:service@hadulcet.com)**

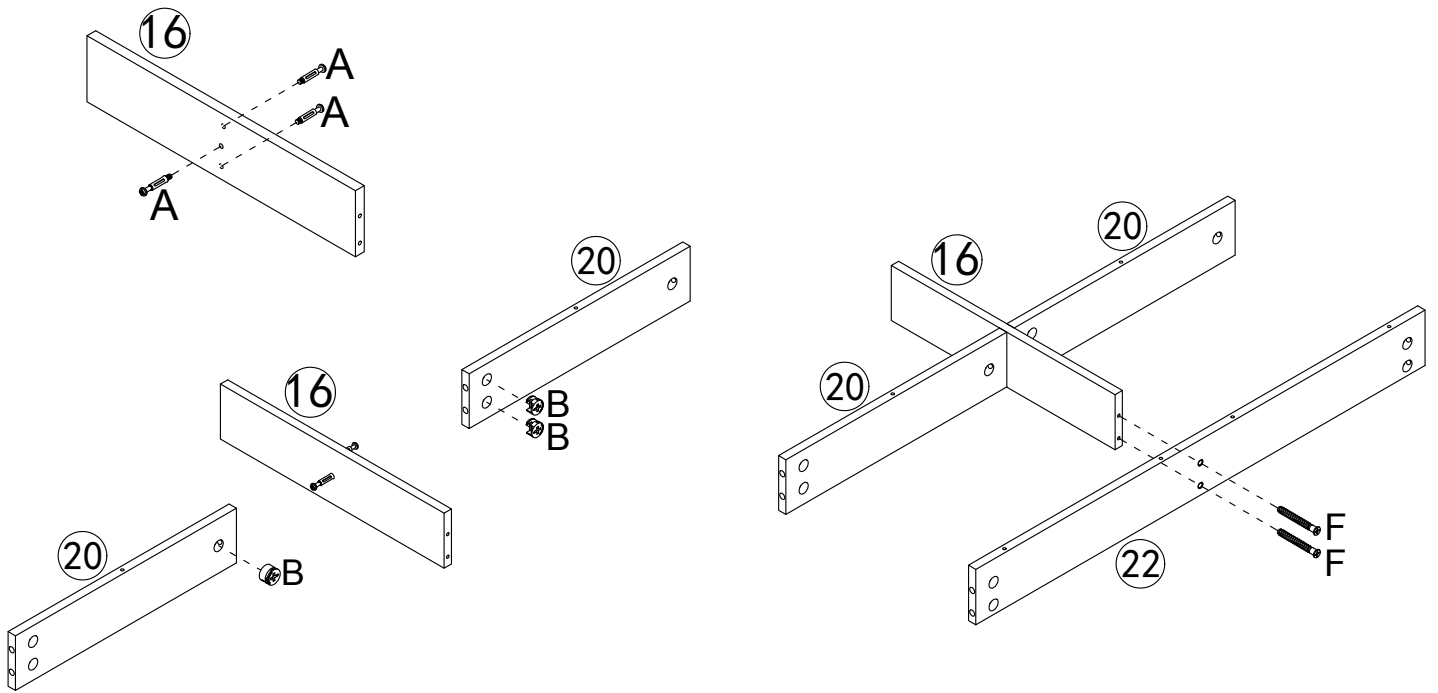
# Assembly Instruction

<b>A</b>	X59	<b>B</b>	X59	<b>C</b>	X4	<b>D</b>	X20	<b>E</b>	X1	<b>F</b>	X40	<b>G</b>	X5	<b>H</b>	X8
															
M6x35mm		Ø15x9mm				M3x14mm		4mm		M5x40mm		Ø8x30mm		M4x14mm	
<b>I</b>	X4	<b>J</b>	X18	<b>K</b>	X10	<b>M</b>	X2	<b>N</b>	X2	<b>O</b>	X2	<b>P</b>	X2	<b>Q</b>	X1
															
		M3x12mm		M4x35mm				Ø6x30mm				M4x12			
<b>S</b>	X1	<b>U</b>	X2	<b>V</b>	X2	<b>W</b>	X6	<b>X</b>	X1	<b>Y</b>	X1	<b>Z</b>	X6	<b>L</b>	X2
															
						M3x14mm									
<b>R</b>	X2	<p style="text-align: center;"><b>Cam Lock Fastening System</b></p> <p style="text-align: center;">Insert the cam bolt into the hole first, then insert the cam lock and lock it.</p> <div style="display: flex; justify-content: space-around;"> <div style="text-align: center;"> <p><b>1</b></p>  </div> <div style="text-align: center;"> <p><b>2</b></p>  </div> <div style="text-align: center;"> <p><b>3</b></p>  <p style="font-size: small;">The opening must point toward the edge of the board</p> </div> <div style="text-align: center;"> <p><b>4</b></p>  </div> </div>													
															






Please contact us immediately if any parts are missing or broken. We will certainly solve it for you immediately and to your satisfaction!

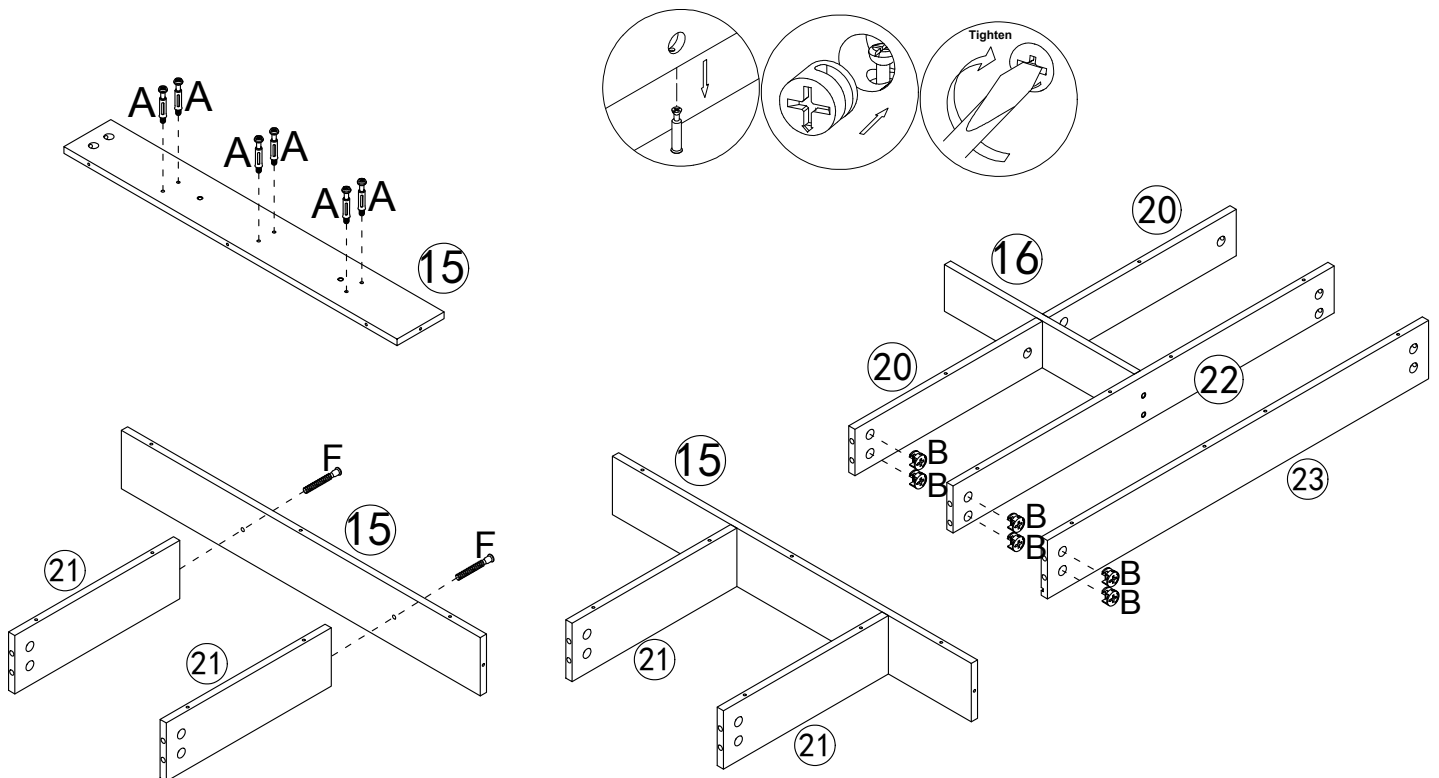
1






1. Screw three screws A into board #16. Use three screws B to secure board #20 and board #16 together (refer to diagram, mind the orientation of board #20). Use two screws F to attach board #22 to the side of board #16.

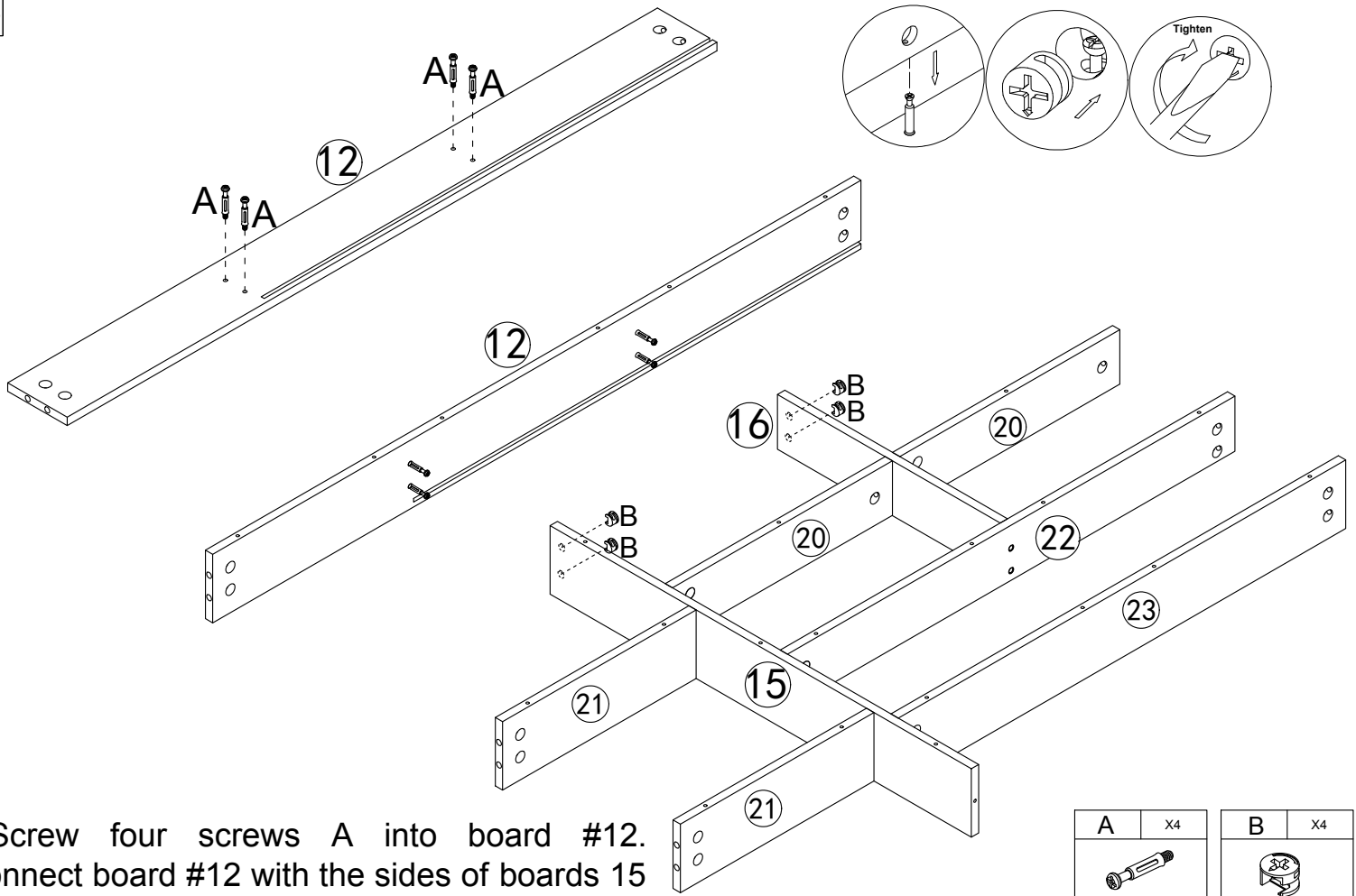
F	x2	A	x3	B	x3
					
M5x40mm		M6x35mm		Ø15x9mm	

2





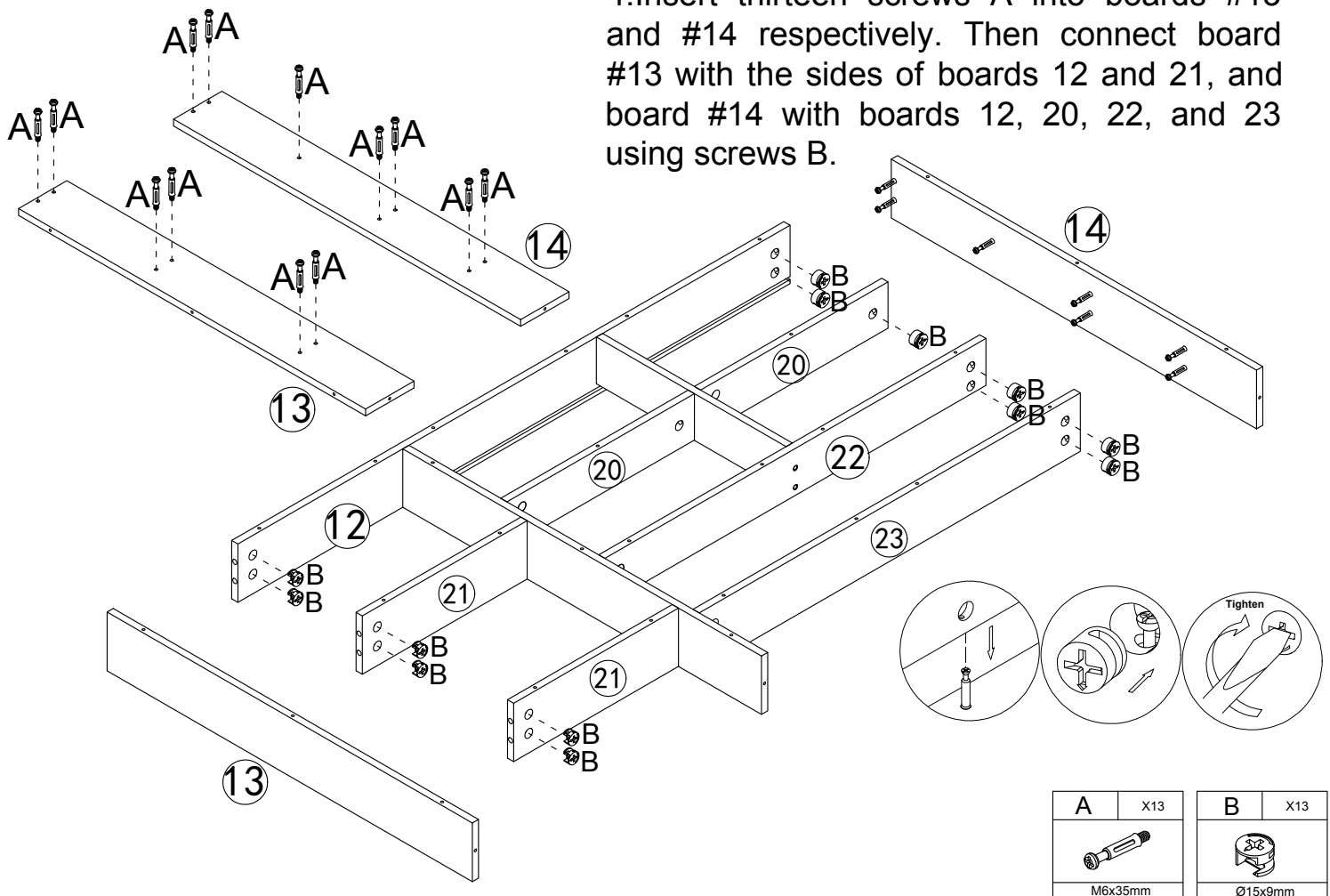
2. Screw six screws A into board #15. Use two screws F to fix board #15 with two boards #21. Connect board #15 horizontally with the side of boards 20, 22, and 23, then secure using six screws B.

F	x2	A	x6	B	x6
					
M5x40mm		M6x35mm		Ø15x9mm	



**3**

3. Screw four screws A into board #12. Connect board #12 with the sides of boards 15 and 16, and secure using four screws B.

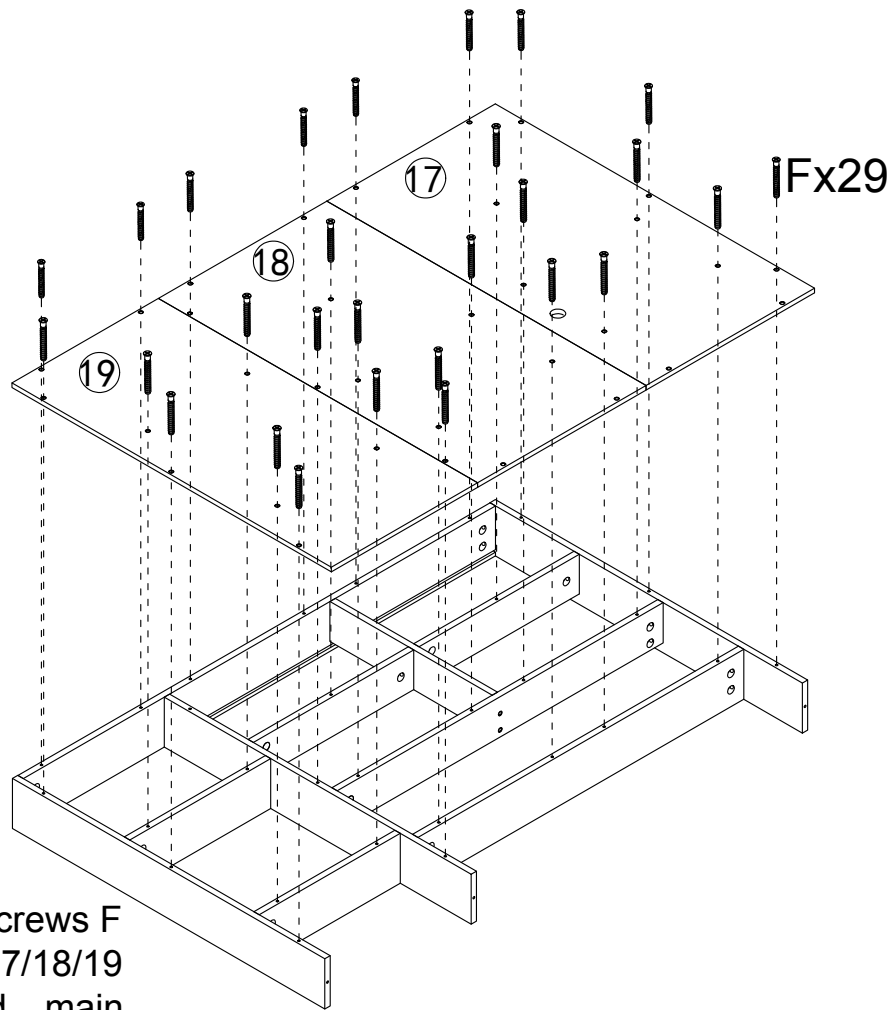
A	X4	B	X4
			
M6x35mm		Ø15x9mm	

**4**

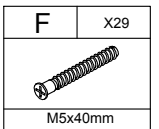
4. Insert thirteen screws A into boards #13 and #14 respectively. Then connect board #13 with the sides of boards 12 and 21, and board #14 with boards 12, 20, 22, and 23 using screws B.

A	X13	B	X13
			
M6x35mm		Ø15x9mm	

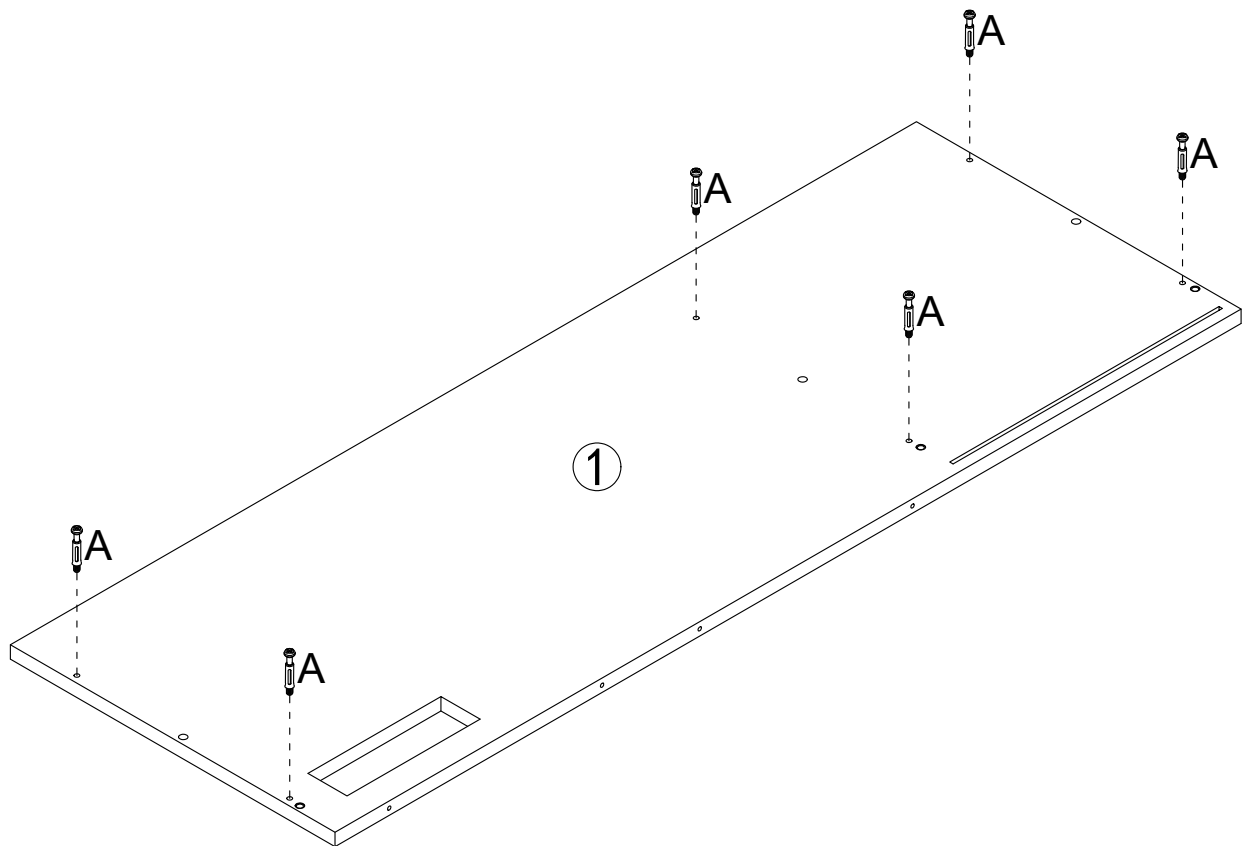
5



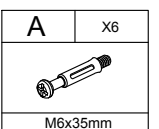
5. Use twenty-nine screws F to fasten boards #17/18/19 to the assembled main structure with the sides.



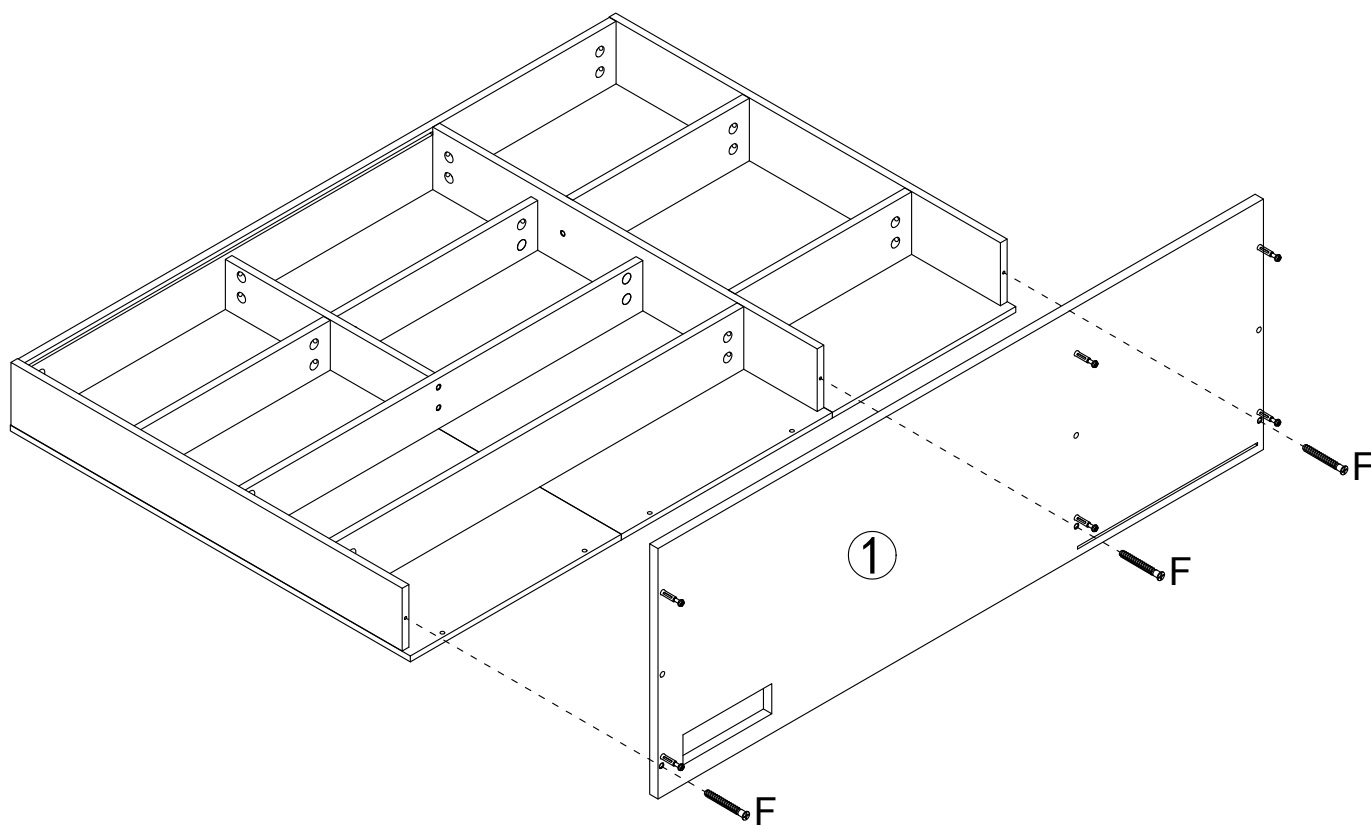
6



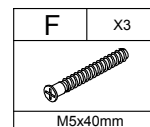
6. Screw six screws A into board #1 b.



7

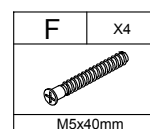
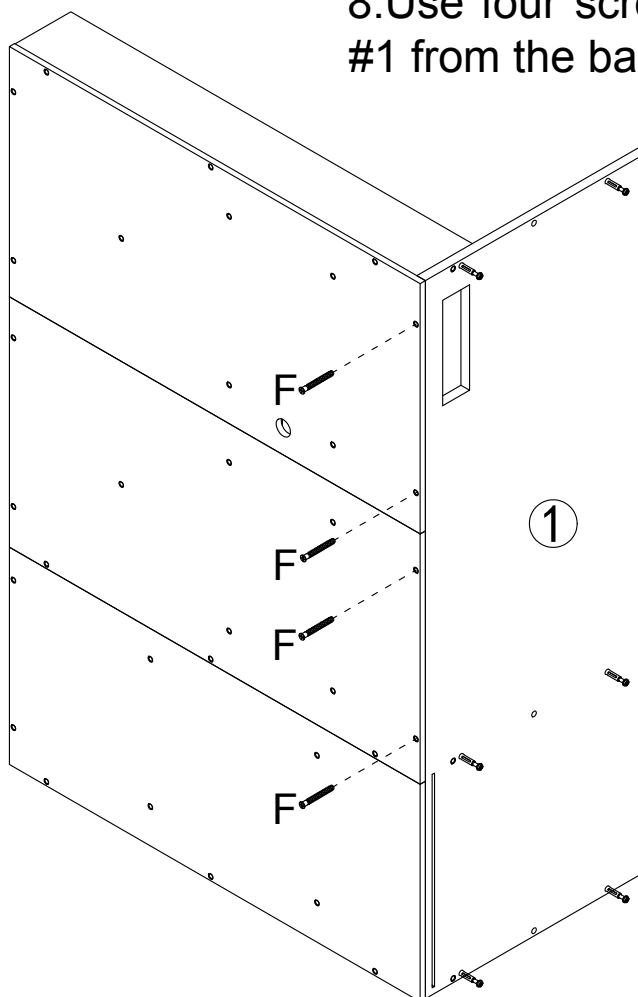


7. Use three screws F to connect board #1 with the bottom of assembled boards 13/14/15. with the sides.



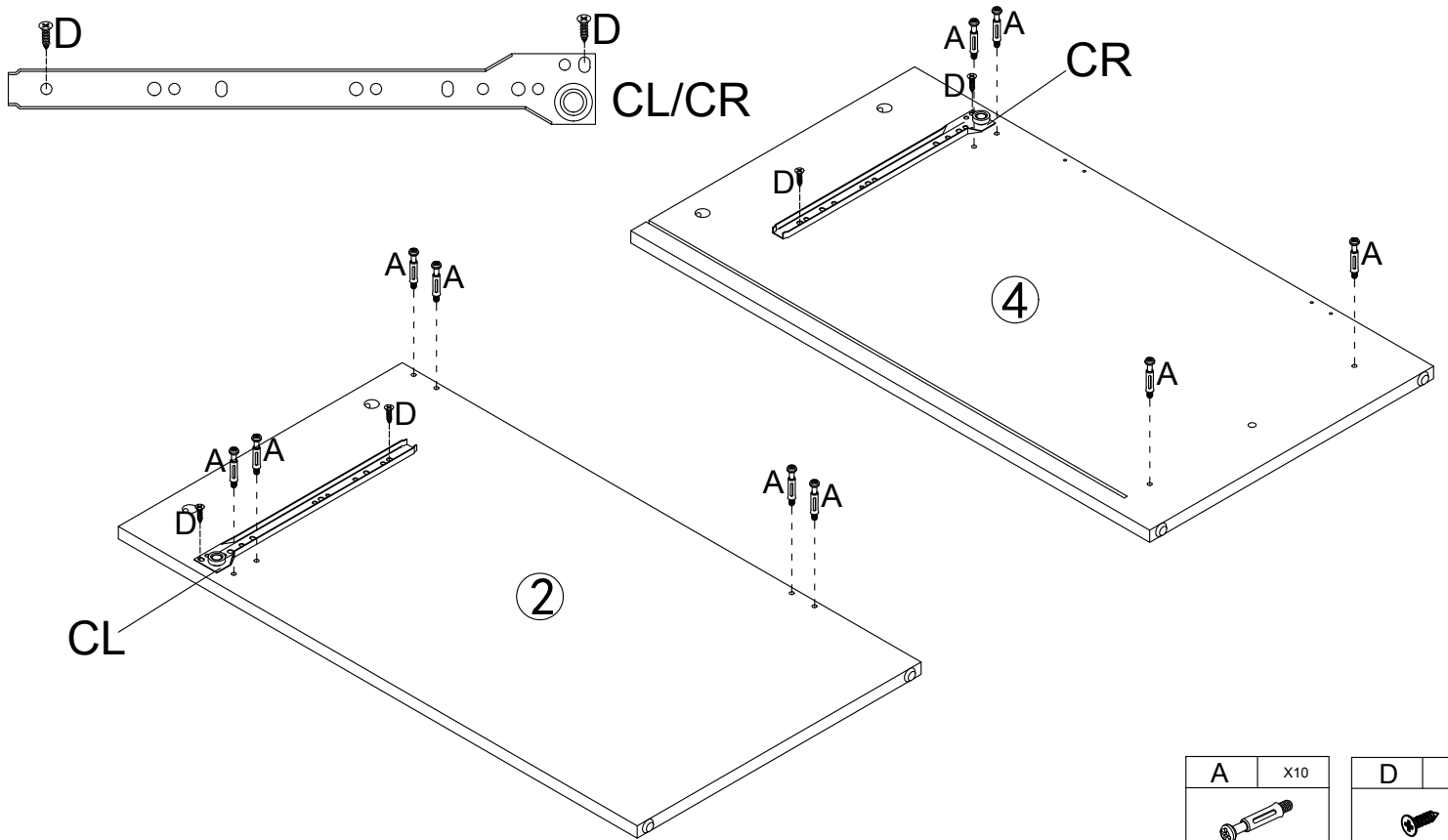
8



8. Use four screws F to secure board #1 from the back of the cabinet.



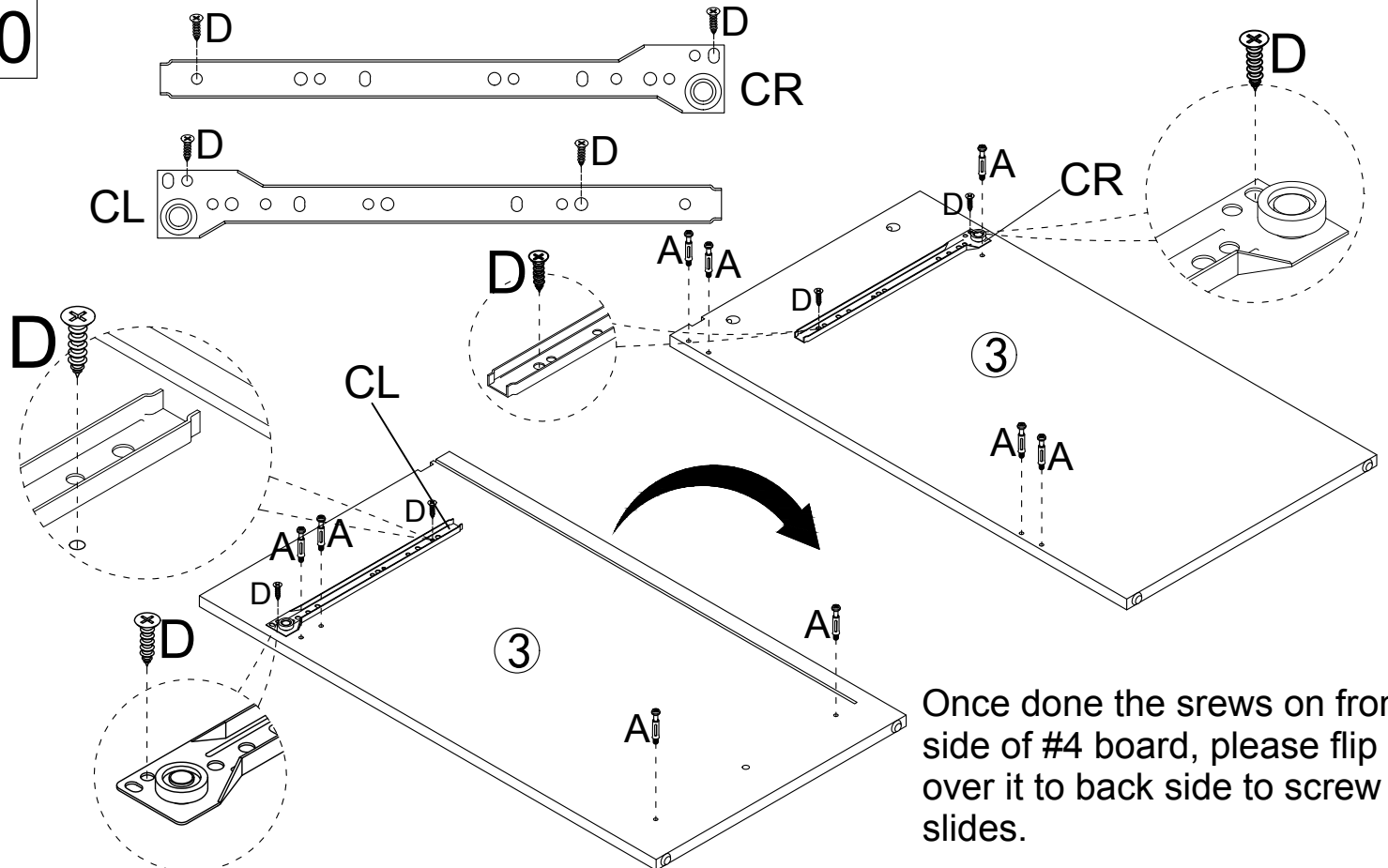
9

9. Use four screws D to attach CL to board #2 and CR to board #4 (refer to diagram for D screw hole positions). Screw ten screws A into boards #2 and #4 respectively.





A	x10	D	x4
			
M6x35mm		M3x14mm	

10

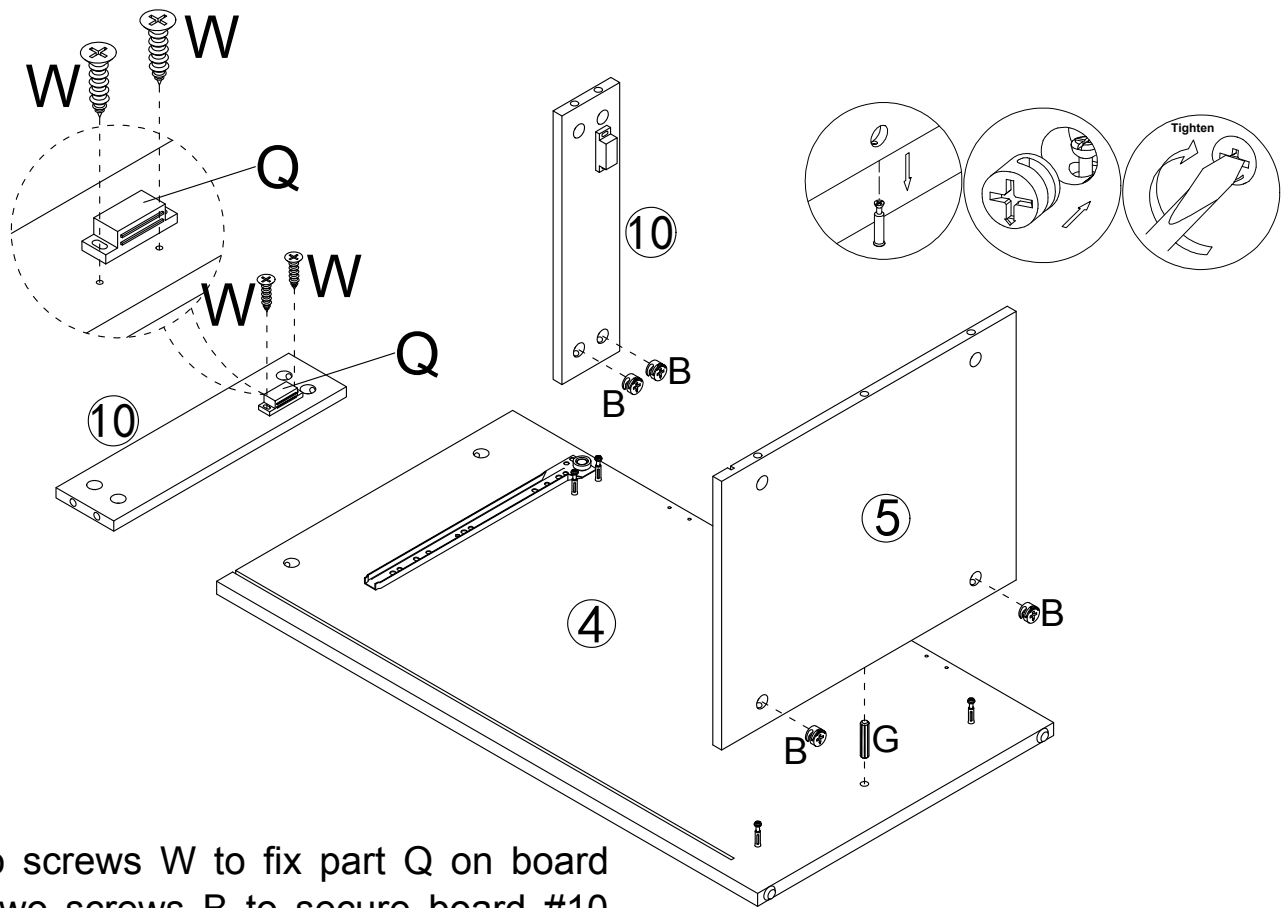


Once done the screws on front side of #4 board, please flip over it to back side to screw slides.

10. Use four screws D to attach CL to one side of board #3 with a groove, and CR to the other side of board #3 (refer to diagram for D screw hole positions). Screw nine screws A into both sides of board #3.

A	x9	D	x4
			
M6x35mm		M3x14mm	

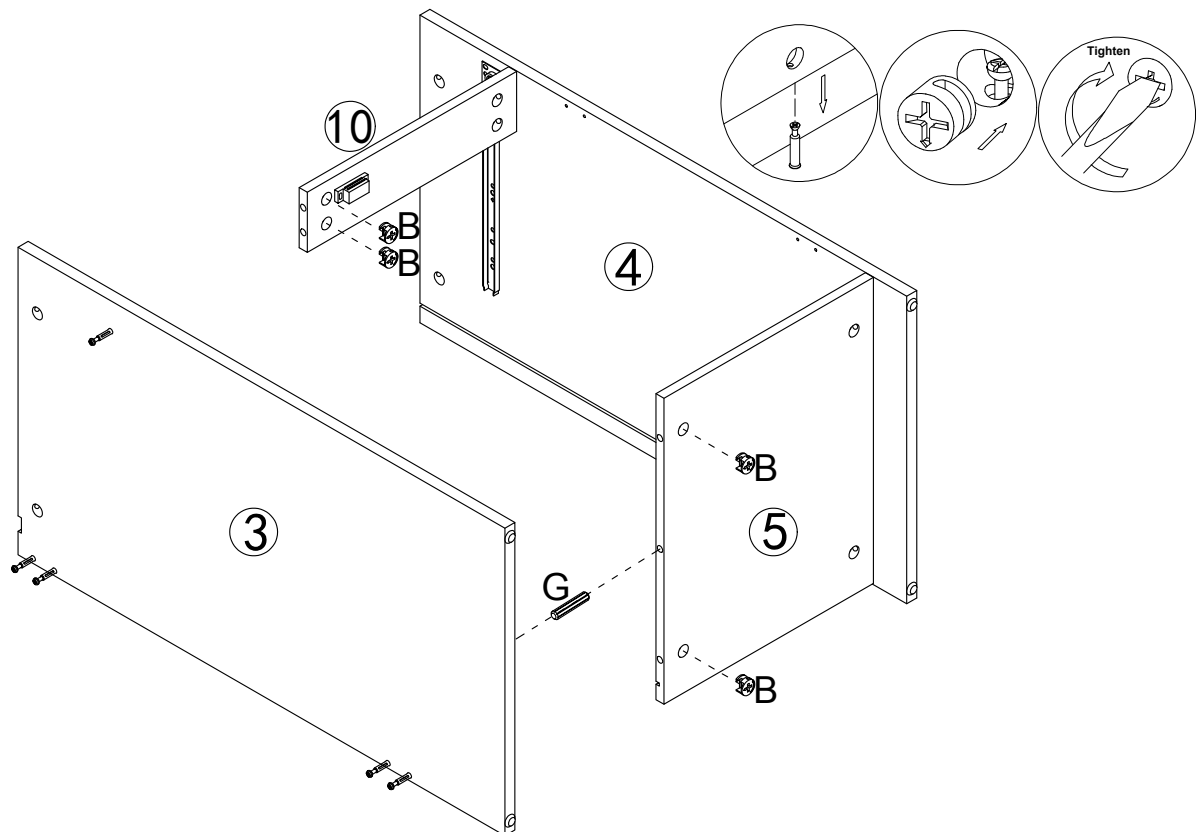
11



11. Use two screws W to fix part Q on board #10. Use two screws B to secure board #10 with board #4. Insert one piece of wooden peg G into board #5, then use two screws B to fix board #5 with board #4.

W	x2	Q	x1	G	x1	B	x4
M3x14mm				Ø8x30mm		Ø15x9mm	

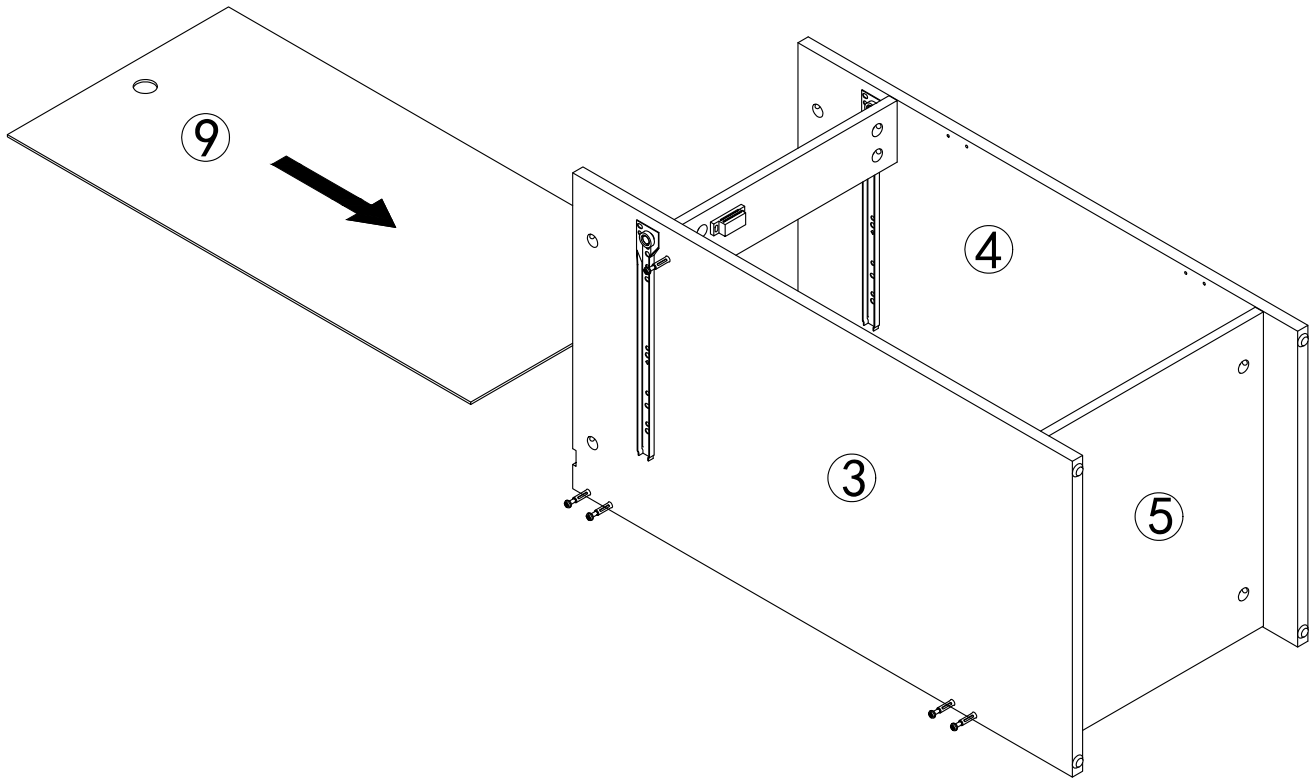
12



12. Insert one piece of wooden peg G into board #5, use four screws B to secure the grooved side of board #3 with boards #5 and #10.

G	x1	B	x4
Ø8x30mm		Ø15x9mm	

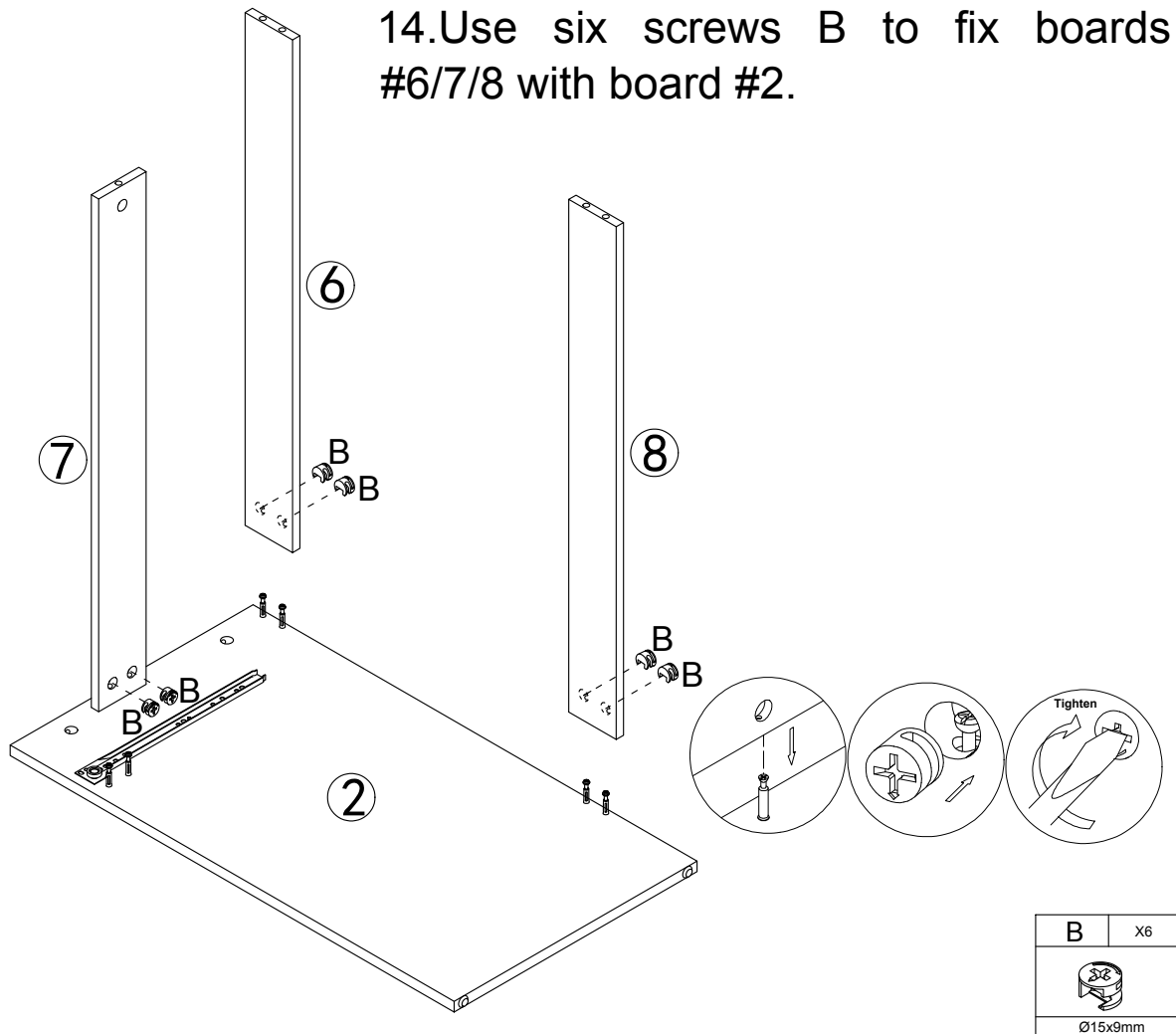
13



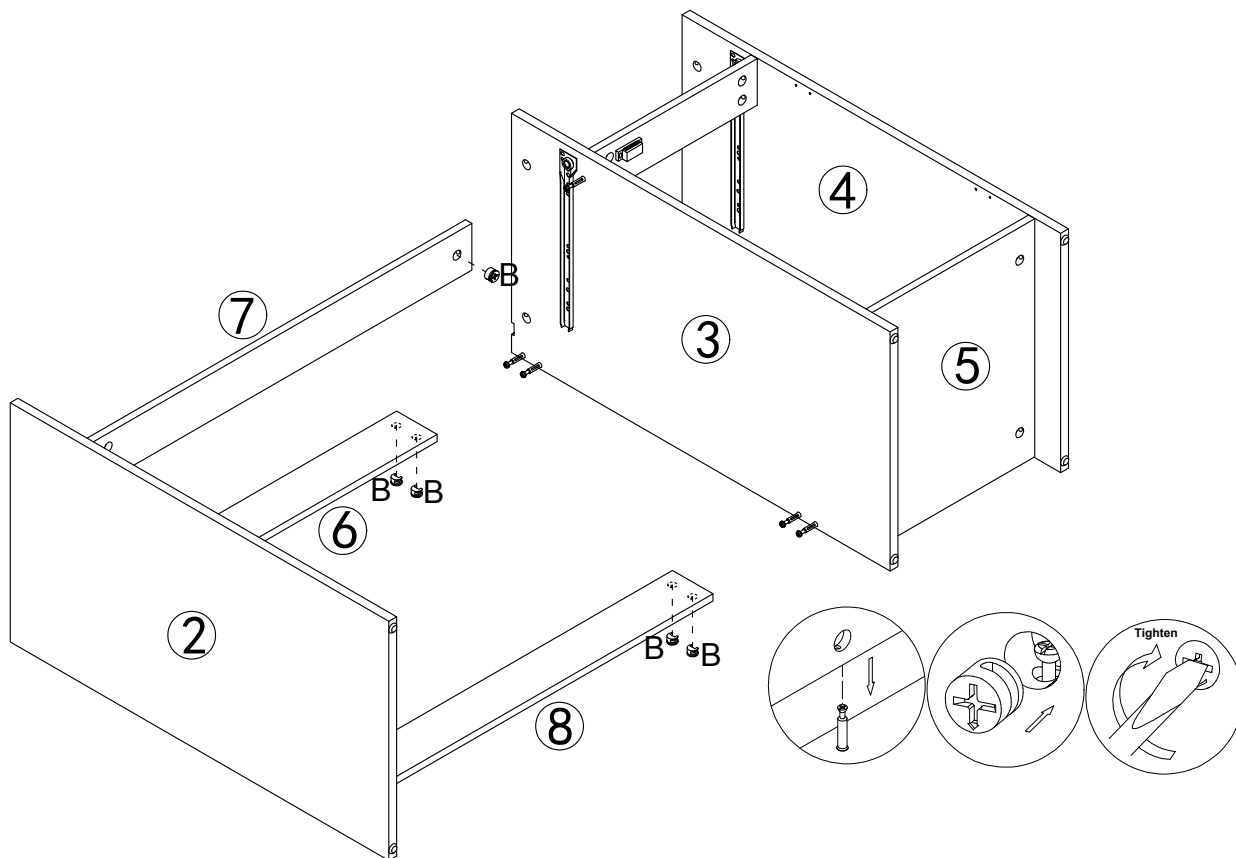
13. Insert back panel #9 along the grooves of boards #3 and #4.

14


14. Use six screws B to fix boards #6/7/8 with board #2.



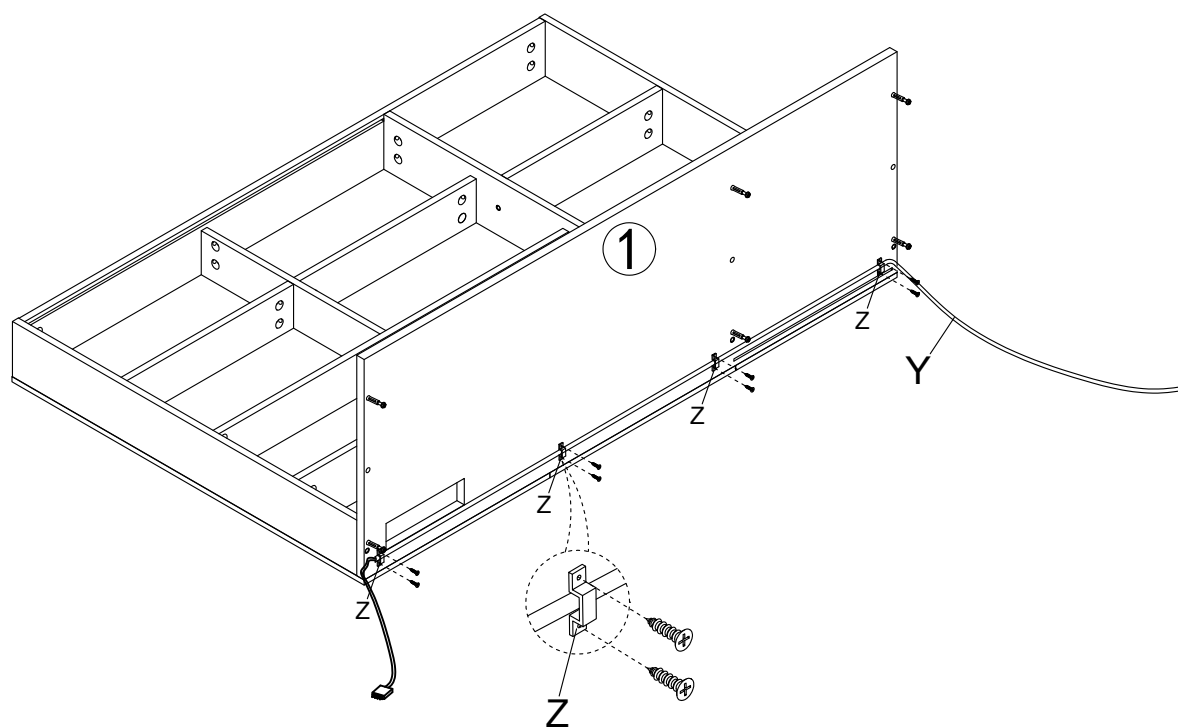
15





15. Use five screws B to fix the other side of boards #6/7/8 with board #3.

B	X5
	
<small>Ø15x9mm</small>	

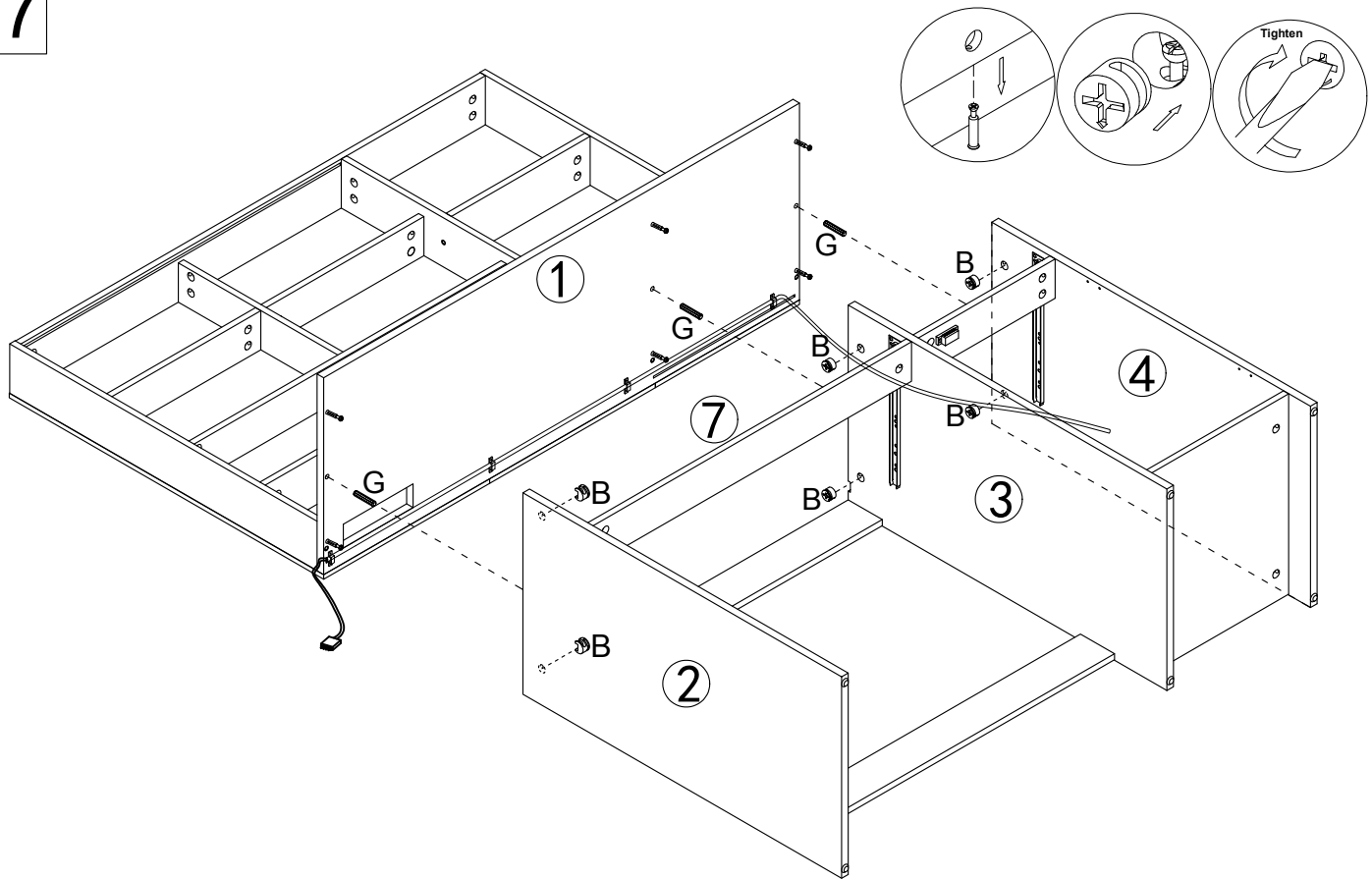
16





16. As shown, use four Z parts and eight J screws to horizontally secure part Y light strip on board #1.

Z	X4	Y	X1
			

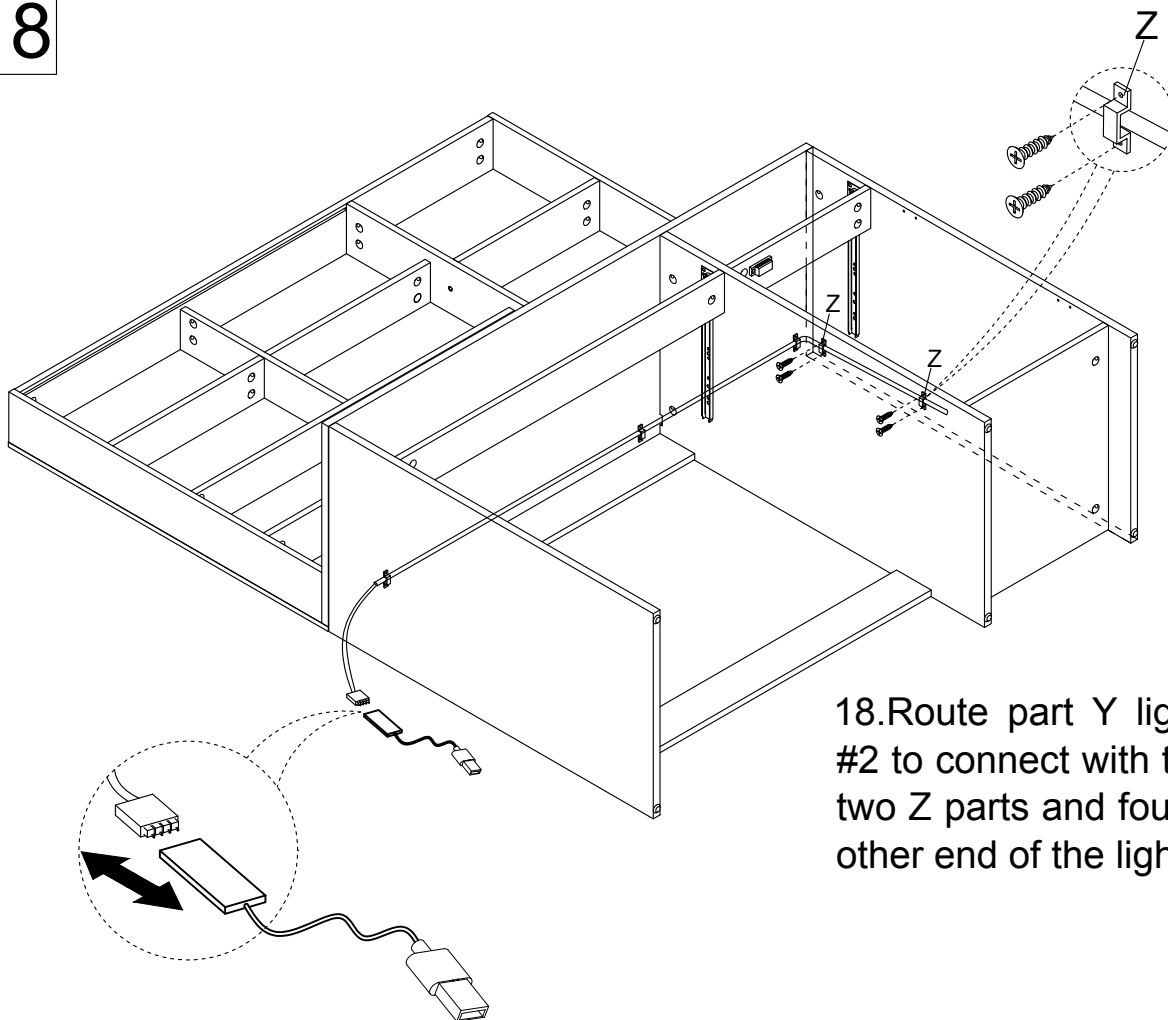
17






17. Insert three pieces of wooden peg G into board #1, then use six screws B to secure board #1 with boards #2, #3, and #4.

G	x3	B	x6
			
Ø8x30mm		Ø15x9mm	

18

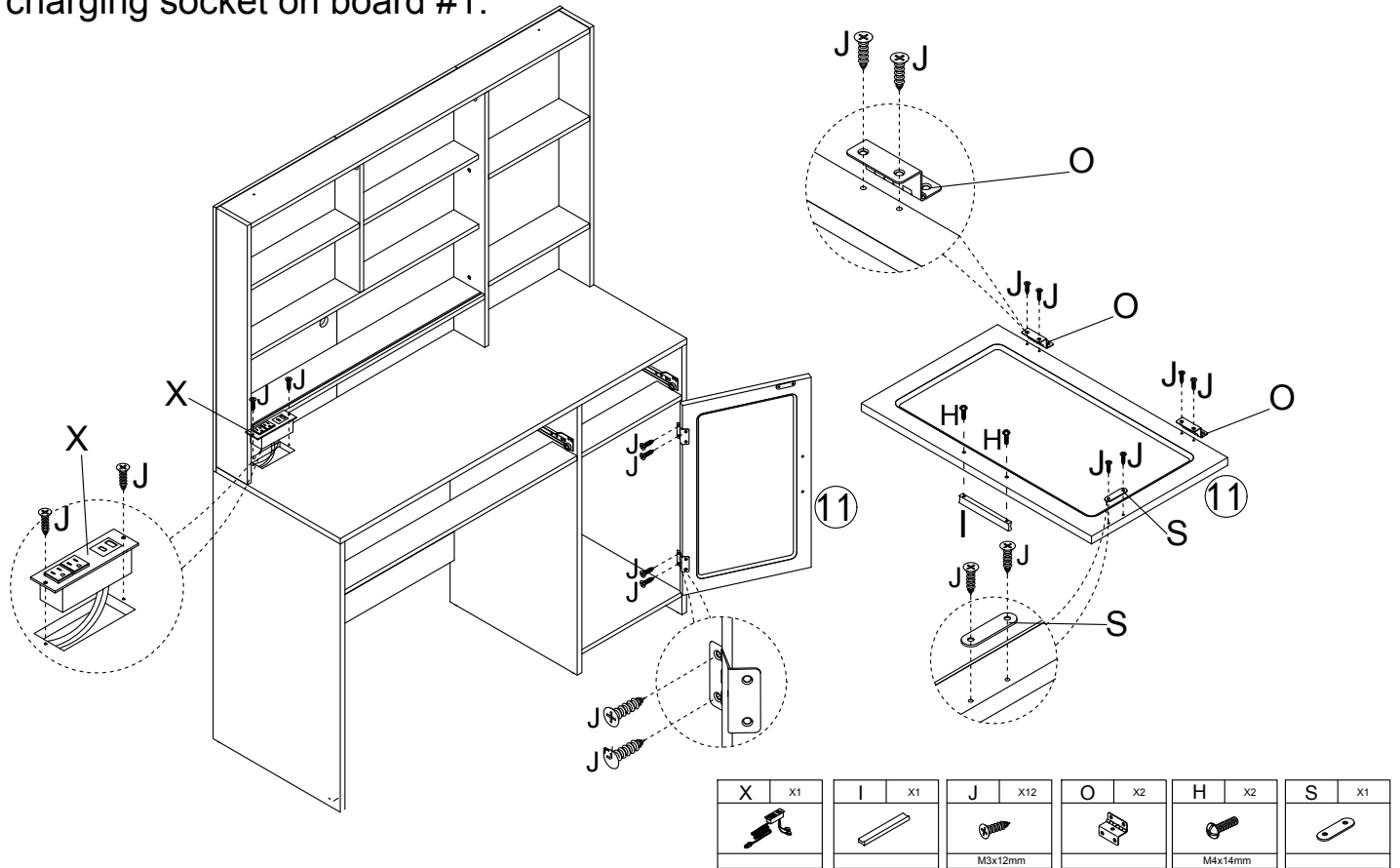


18. Route part Y light strip from board #2 to connect with the transformer; use two Z parts and four J screws to fix the other end of the light strip on board #3.

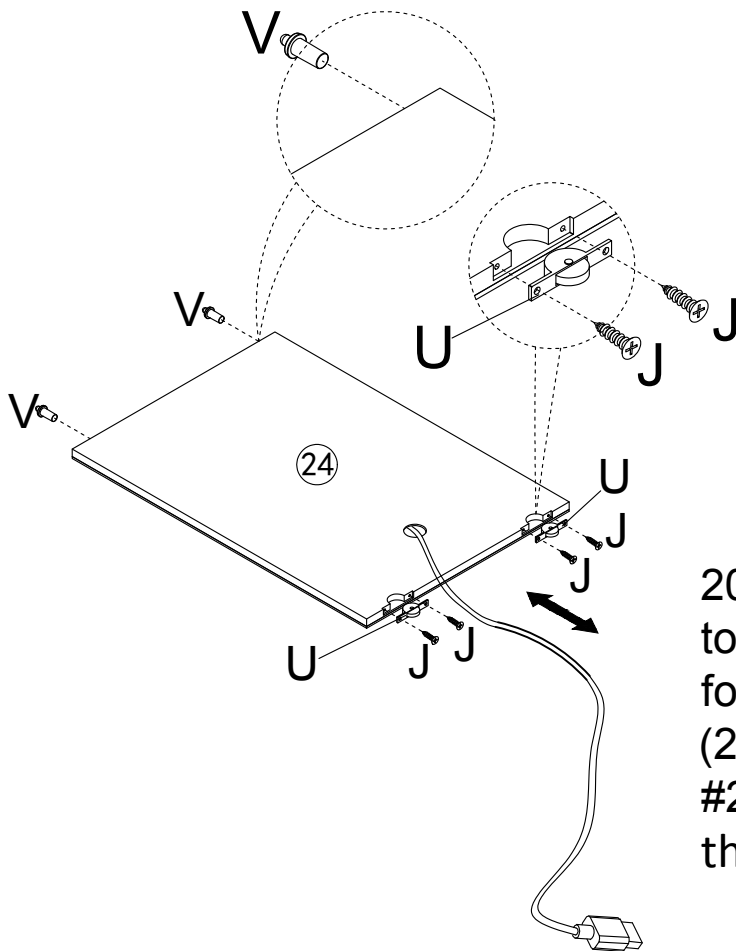
Z	x2	J	x4
			
		M3x12mm	

19

19. Use six J screws to fix hinges O (2pcs) and part S (1pcs) on board #11. Then use two H screws to secure handle I on the front of board #11. Use four J screws to fix board #11 to the cabinet via hinges O. Lastly, use two J screws to secure part X charging socket on board #1.



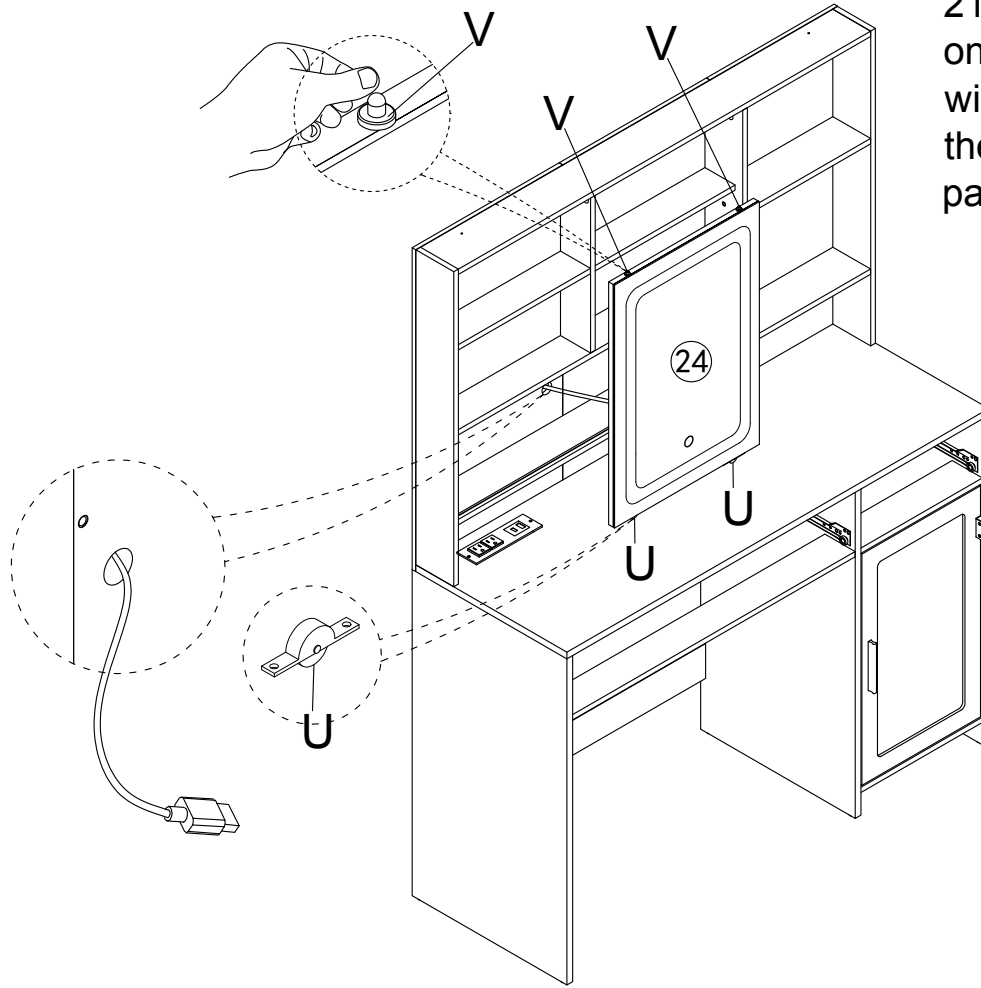
20



20. Insert part V (2pcs) into the top of mirror #24, then use four J screws to fix part U (2pcs) at the bottom of mirror #24. Connect part T wire to the power line of mirror #24.

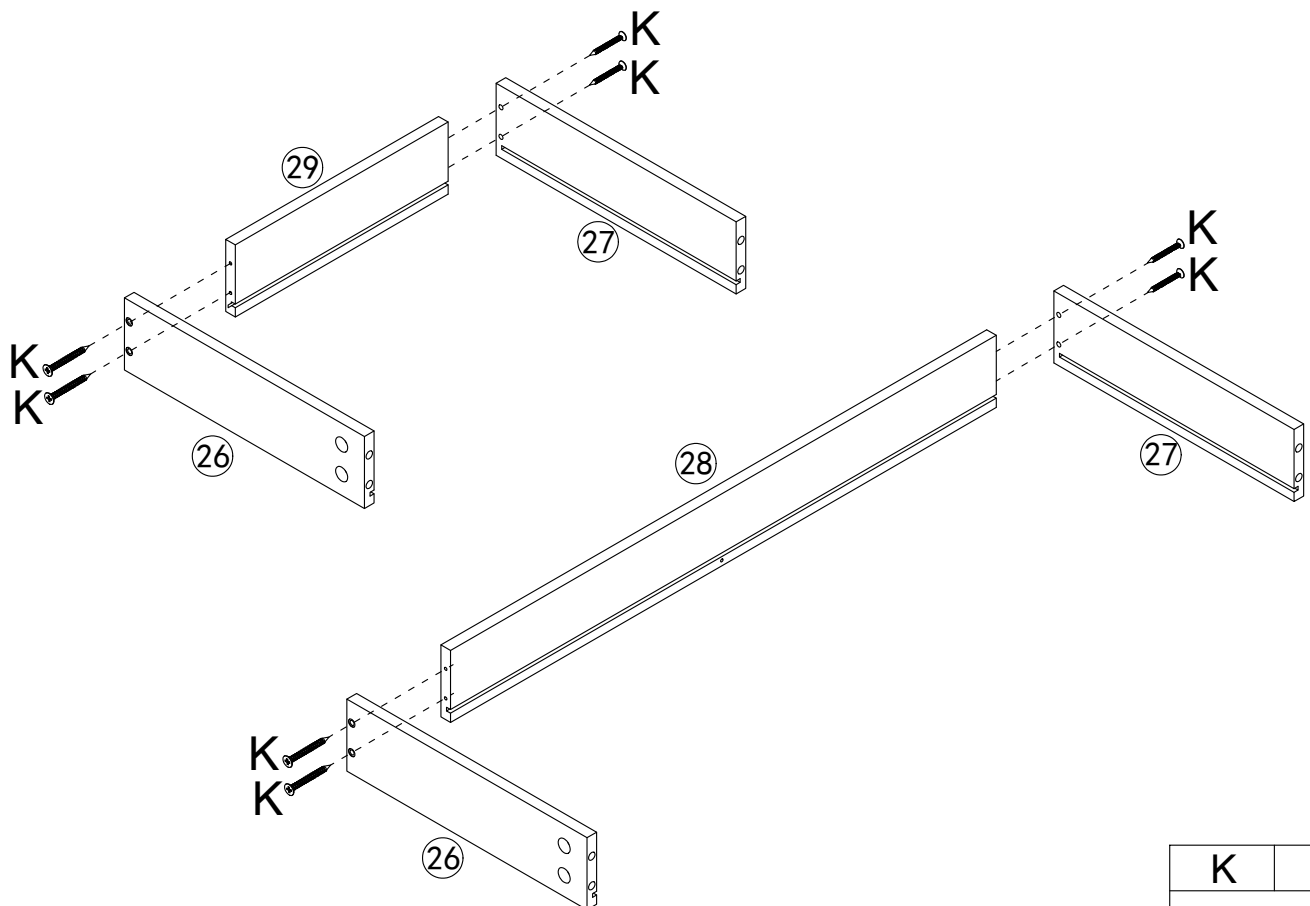
J	x4	U	x2	V	x2
	M3x12mm				

21




21. Secure mirror #24 onto the cabinet, with T wire coming out from the hole in the back panel.

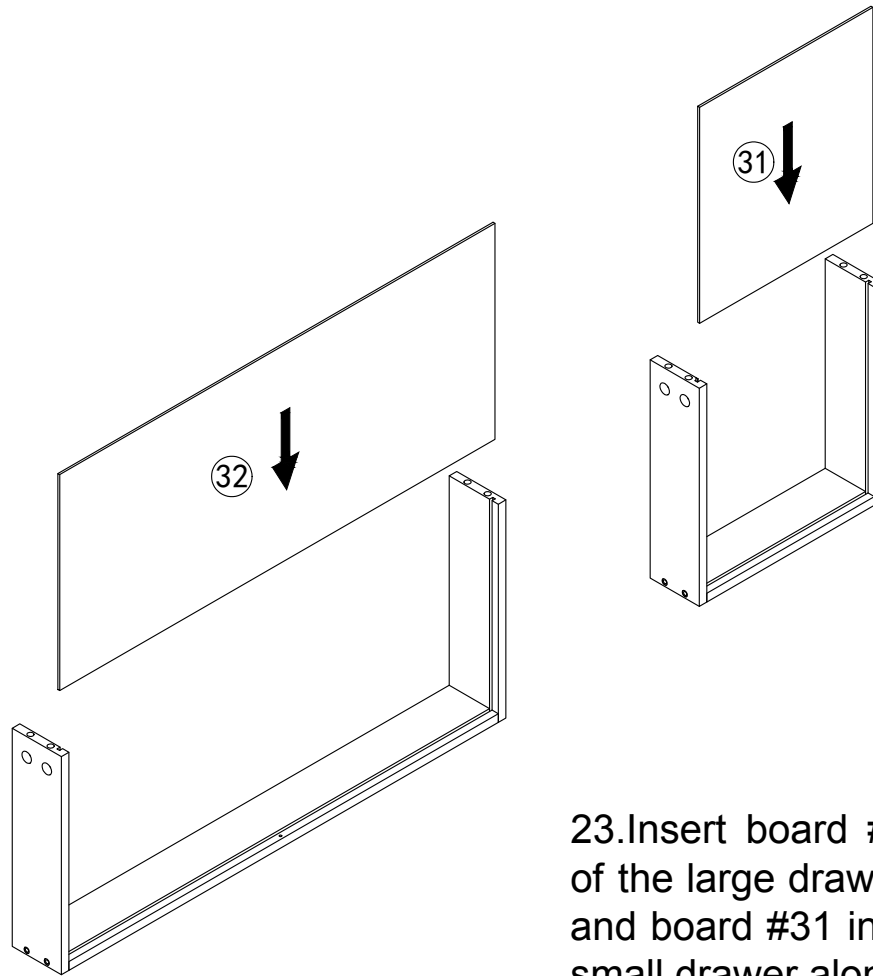
22



22. Use four K screws to secure boards #26/27/29 together. Use four K screws to secure boards #26/27/28 together.

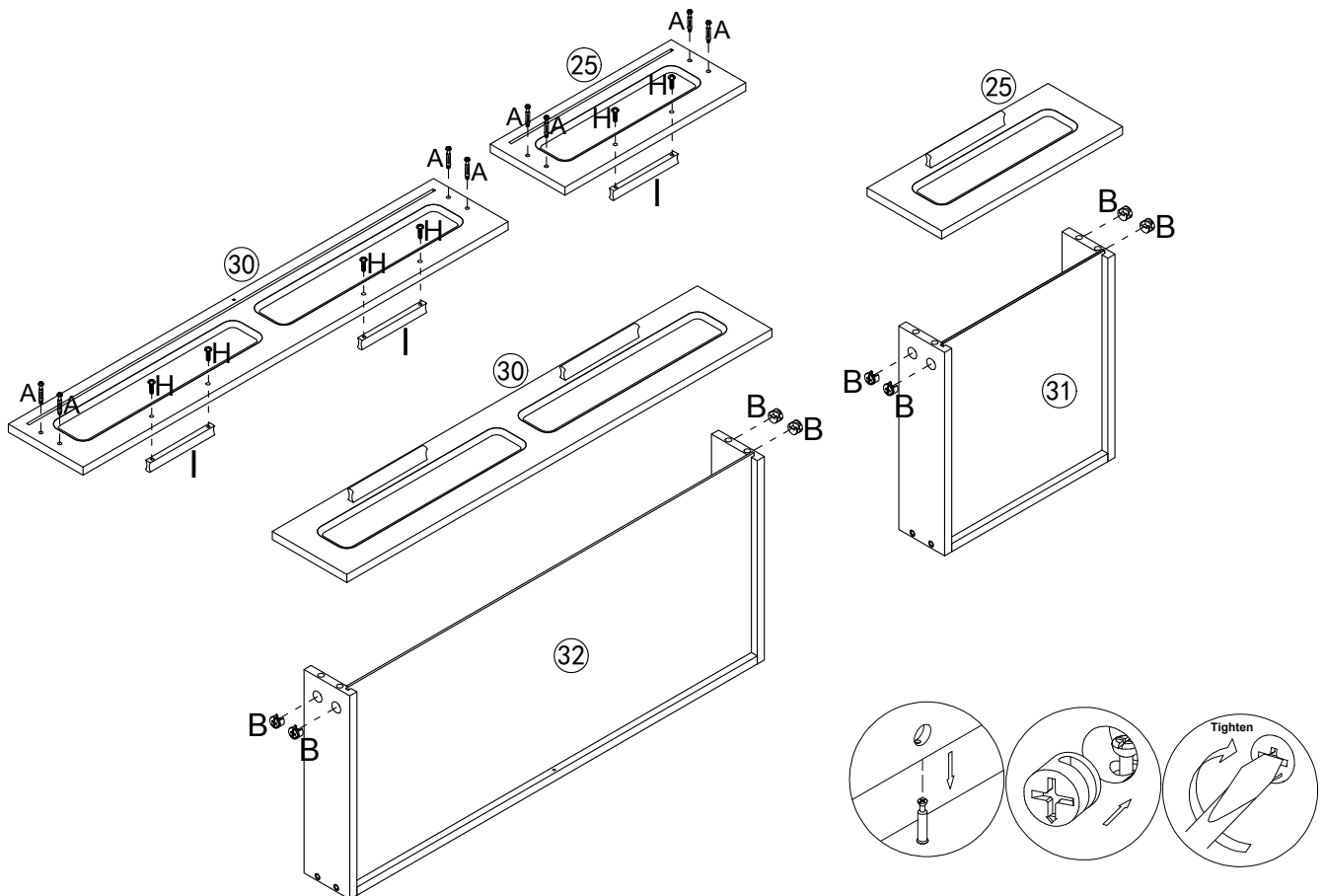
K	X8
	
M4x35mm	

23



23. Insert board #32 into the bottom of the large drawer along the groove, and board #31 into the bottom of the small drawer along the groove.

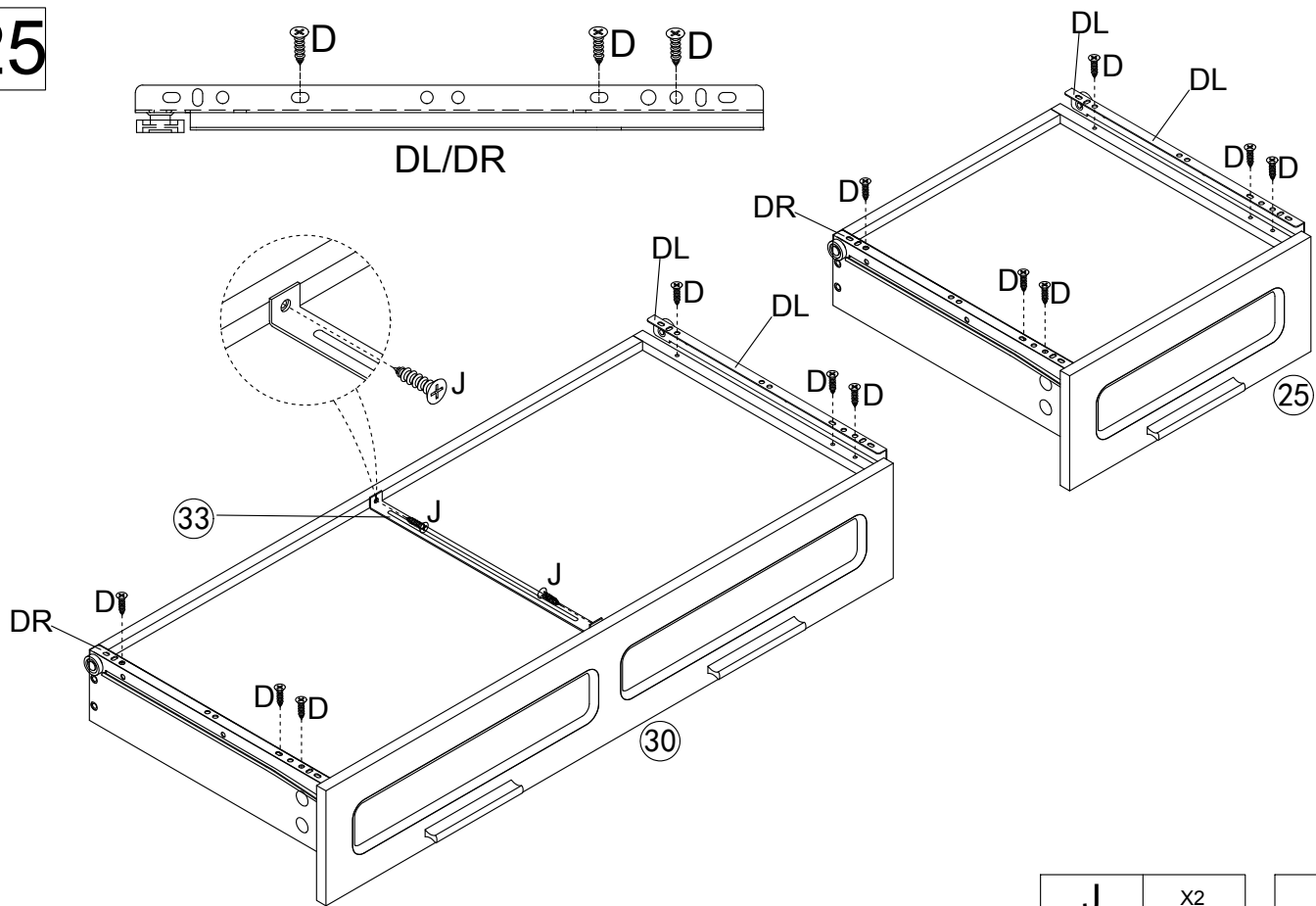
24




24. Use four H screws to fix handle I (2pcs) on board #30. Use two H screws to fix handle I (1pcs) on board #25. Insert eight screws A into boards #30 and #25 respectively, then secure both boards with eight B screws to the drawer body.


I	X3	H	X6	A	X8	B	X8
		M4x14mm		M6x35mm		Ø15x9mm	

25

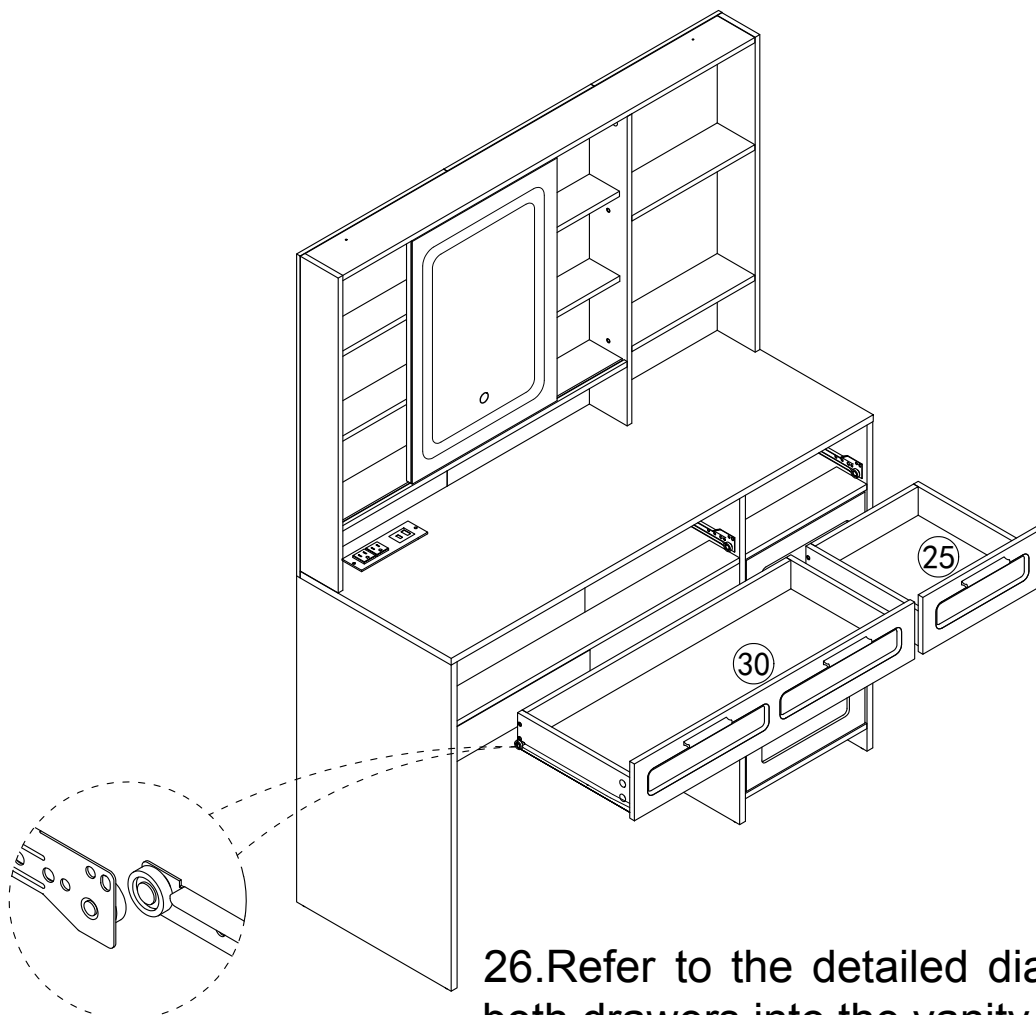


25. Use twelve D screws to fix DR (2pcs) and DL (2pcs) at both ends of the two drawers' bottoms. Then use two D screws to fix part #33 at the center of the bottom of the large drawer.

J	x2
	
M3x12mm	

D	x12
	
M3x14mm	

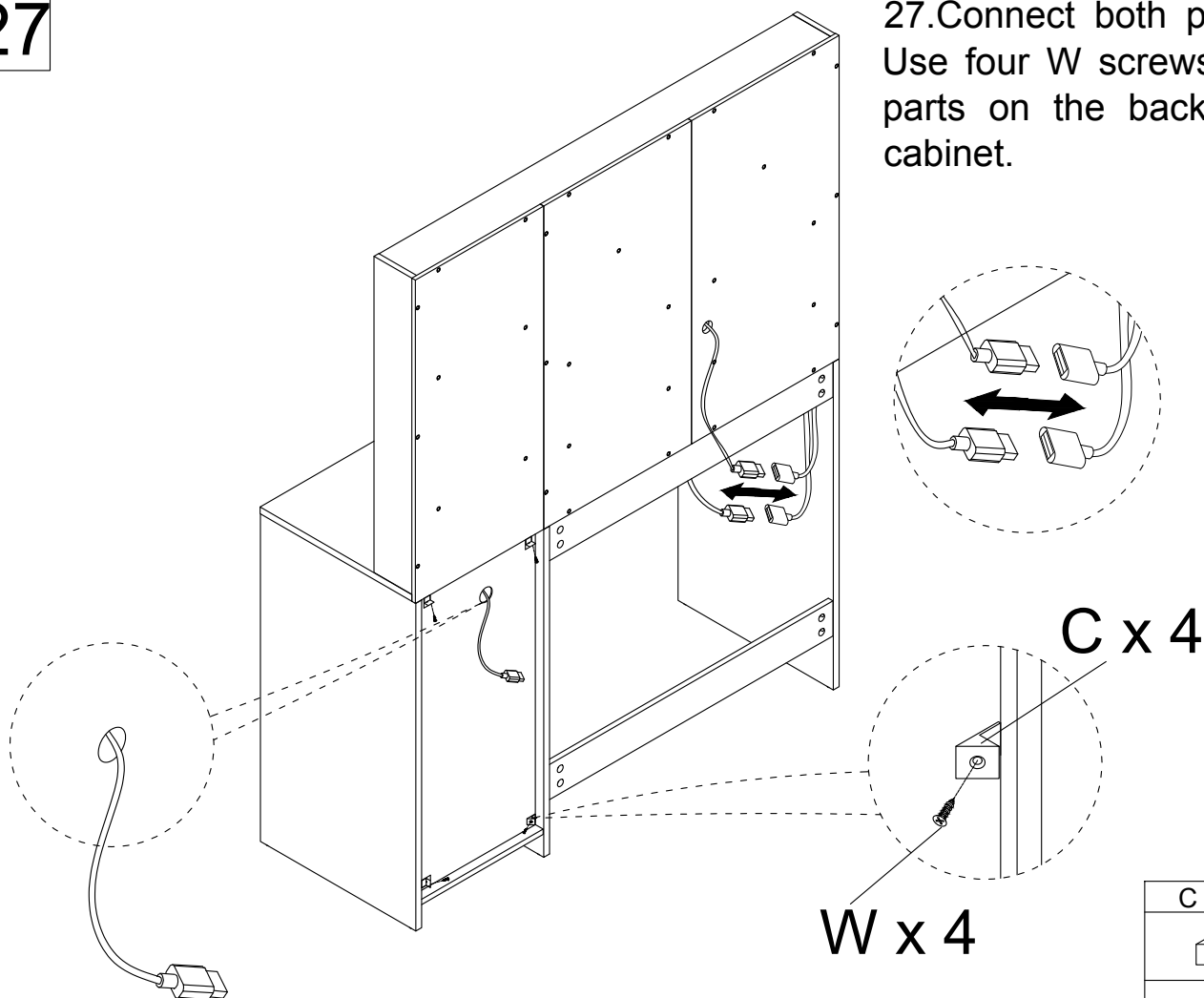
26



26. Refer to the detailed diagram to insert both drawers into the vanity table interior.

27

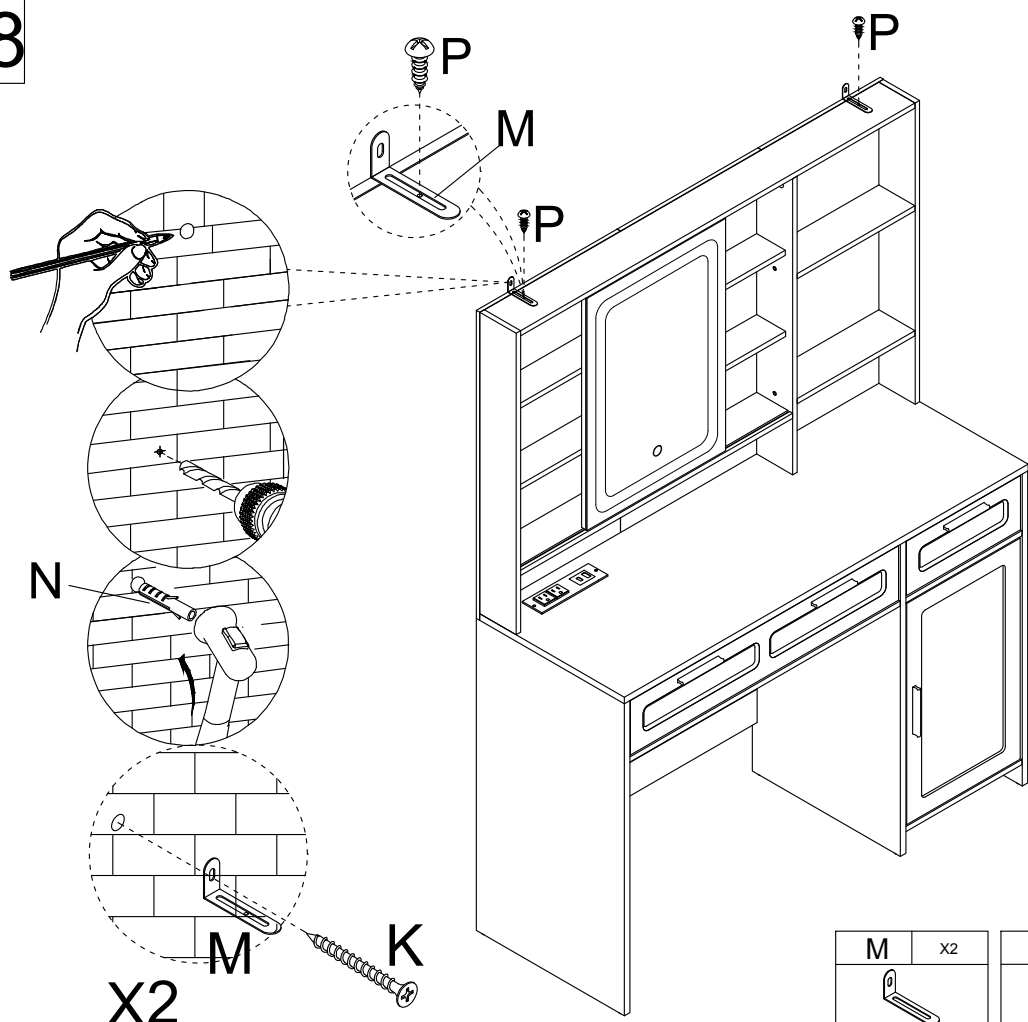
27. Connect both plugs together. Use four W screws to fix four C parts on the back of the base cabinet.



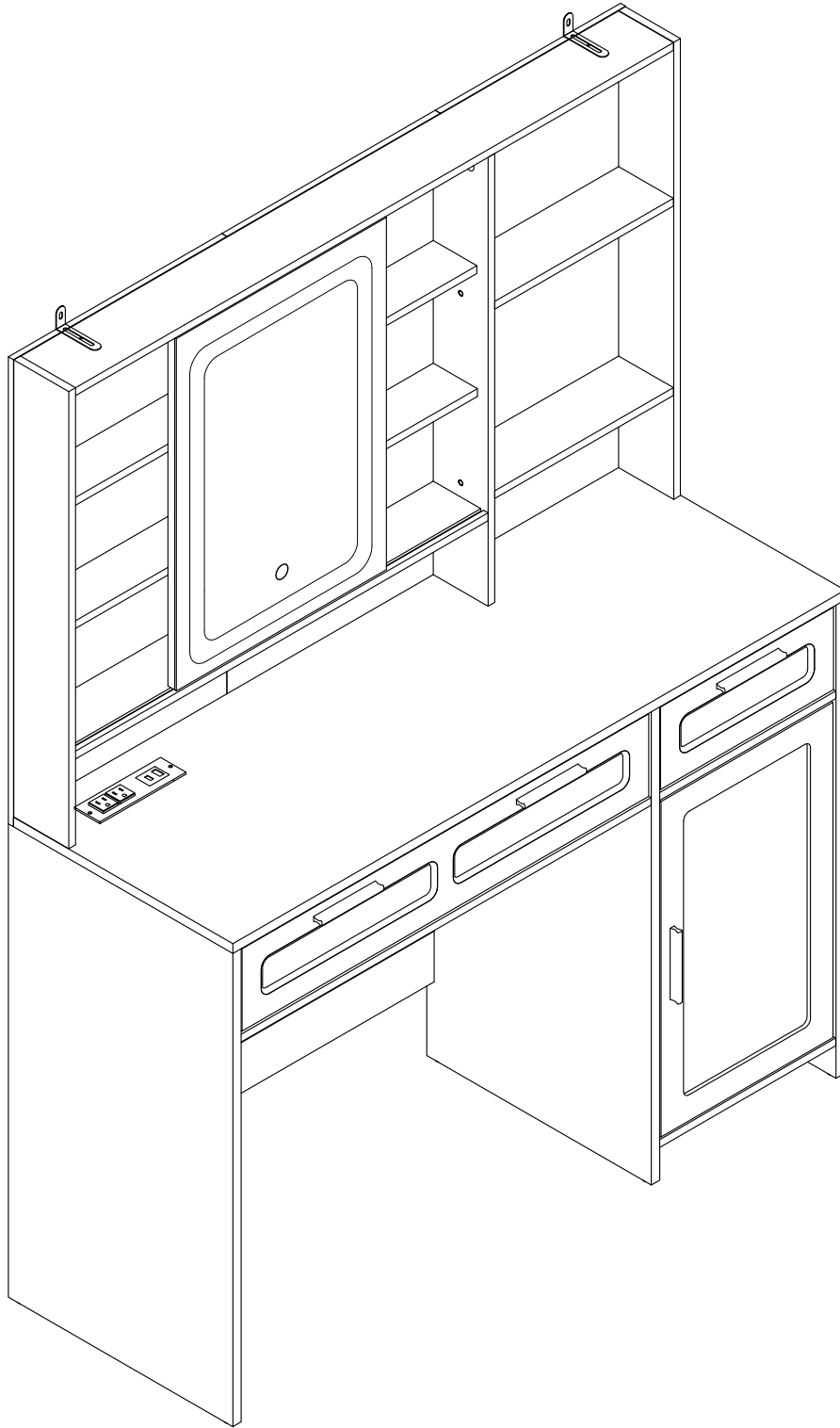
C	x4	W	x4
		M3x14mm	

28

28. Secure the vanity table to the wall: Measure and drill holes in advance, insert N bolts (2pcs) into the holes, use two M parts to secure the vanity table to the wall with two K screws, then use two P screws to fix the other end of the M parts to the vanity table.



M	x2	P	x2	N	x2	K	x2
		M4x12		Ø6x30mm		M4x35mm	



29. Installation complete! Let's put it to use!

# Thank You!

## For Your Purchase

---

Dear Customer,

Thank you for your recent order,

Now that you have got a finished make up vanity, hurry up and put it to use!

Each customer enjoys a one-year warranty, and please contact us to activate it. Once the warranty is activated, we promise to provide you with a risk-free experience.

You are particularly welcome to share your feeling on Amazon.

Have a wonderful day!

### **Contact us to unlock benefits**

- ✓ Activating the One-year Warranty
- ✓ Viewing the Installation Video
- ✓ Joining the New Product Trial Program

---

Please kindly contact us in time if you need customer service.



**service@hadulcet.com**

Thanks again for your purchasing!