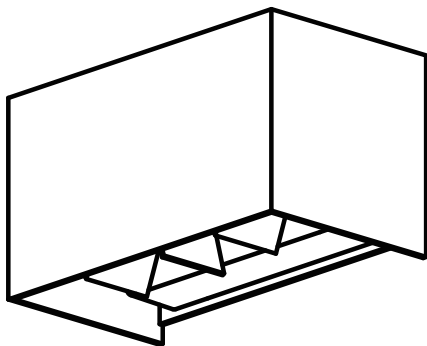


edishinē

Outdoor Wall Light

SKU: HOWL08D
[Instruction Manual]



Please pay attention to the warning signs
Read the instructions with caution before operating
and keep it properly

WARNING:

Risk of fire. Min 75°C supply conductors. Consult a qualified electrician to ensure correct installation. Before installation, please turn off the main power of the circuit breaker to prevent possible electric shock.

Packing List

Part	Description	Quantity
Wall light	0.65"×0.32"×0.32"	2pc
Wire connectors	Three-hole PA8	2pc
Mounting screw	ST3.9*30mm	4pc
Plastic expansion	6*28mm	4pc
Spanner	2.5*110mm	2pc
Instruction manual	A5 PAPER	1pc

Installation Instructions

NOTE: PLEASE INSTALL THIS WALL LANTERN 1.2 METERS 3.94 FEET ABOVE THE GROUND

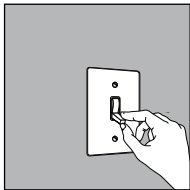


FIG.1 WALL SWITCH

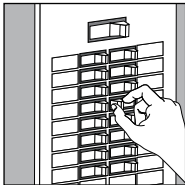


FIG.2 BREAKER PANEL

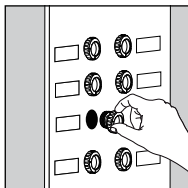


FIG.3 FUSE BOX

STEP 01: POWER OFF

FIG.1. Turn the wall switch to the "OFF" position.

Depending on which type of fuse box in your home:

FIG.2. Either turn the main (Master) switch to the "OFF" position to cut off the power supply of the entire home, or turn off the individual switch that supplies power to the fixture installation location.

OR

FIG.3. Either turn the main (Master) switch to the "OFF" position to cut off the power supply of the entire home, or unscrew the fuse that supplies or turn off the individual switch that supplies power to the fixture installation location.

STEP 02: ASSEMBLE THE LAMP

FIG.4. Remove the casing (no tools required) .

FIG.5. Use a wrench to unscrew the screws to separate the backplate.

FIG.6. Draw points on the wall.

FIG.7. Fix the expansion screws into the wall according to the points (FIG.6)

FIG.8. Run the wires through the backplate and secure the backplate to the wall with screws.

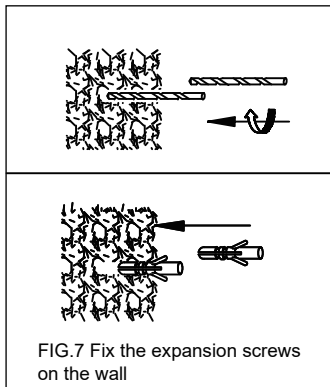
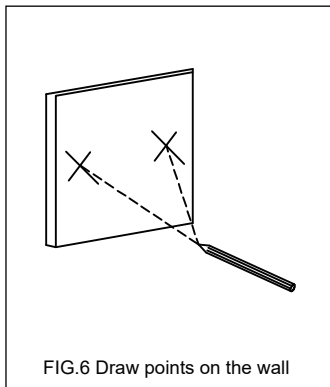
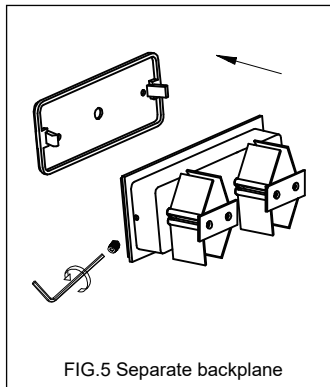
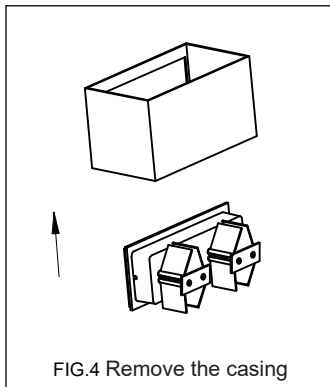
FIG.9. Connect black live wire, white neutral wire and ground wire with wire connectors, be sure that the wires are connected sturdily.

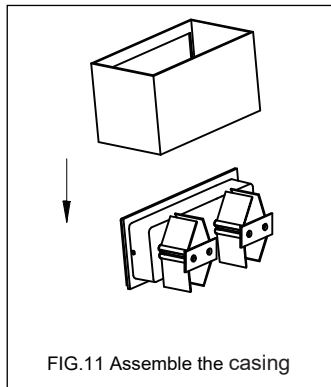
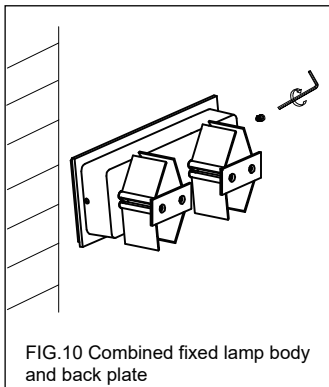
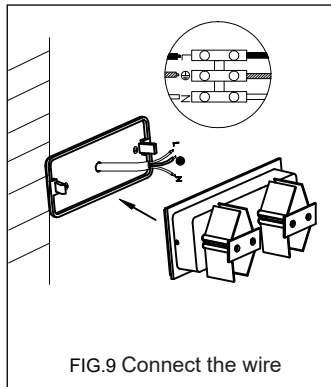
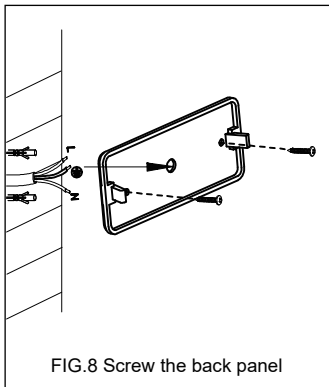
FIG.10. Use screws to combine the light body with the back plate and fix it on the wall

FIG.11. Assemble the casing (no tools required) .

STEP 03: POWER ON

Turn on the main (Master) switch to get the power back, the light will turn on automatically.





Specifications:

- Input Voltage: 120VAC 60HZ
- Max Load Power :12W
- Material: Aluminum and glass
- IP Rating: IP54

One Year Limited Warranty

Supported by our professional R&D team and QC team, we provide One Year Warranty for materials and workmanship from the purchase date. Please note that the warranty does not cover damage caused by personal misuse or improper installation.

Please attach your Order ID and Name so that our dedicated customer service team can help you better.