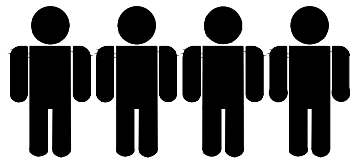
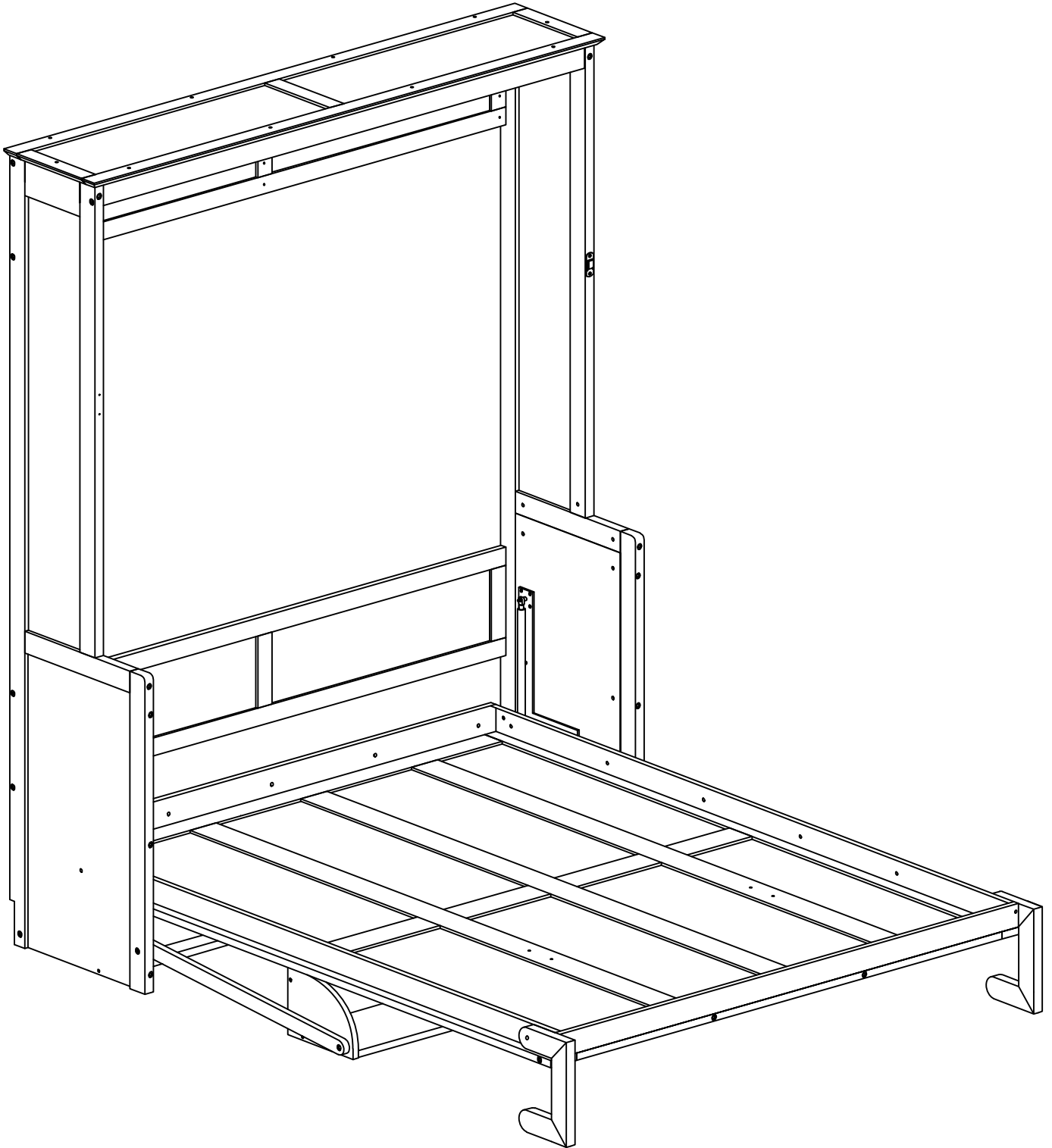
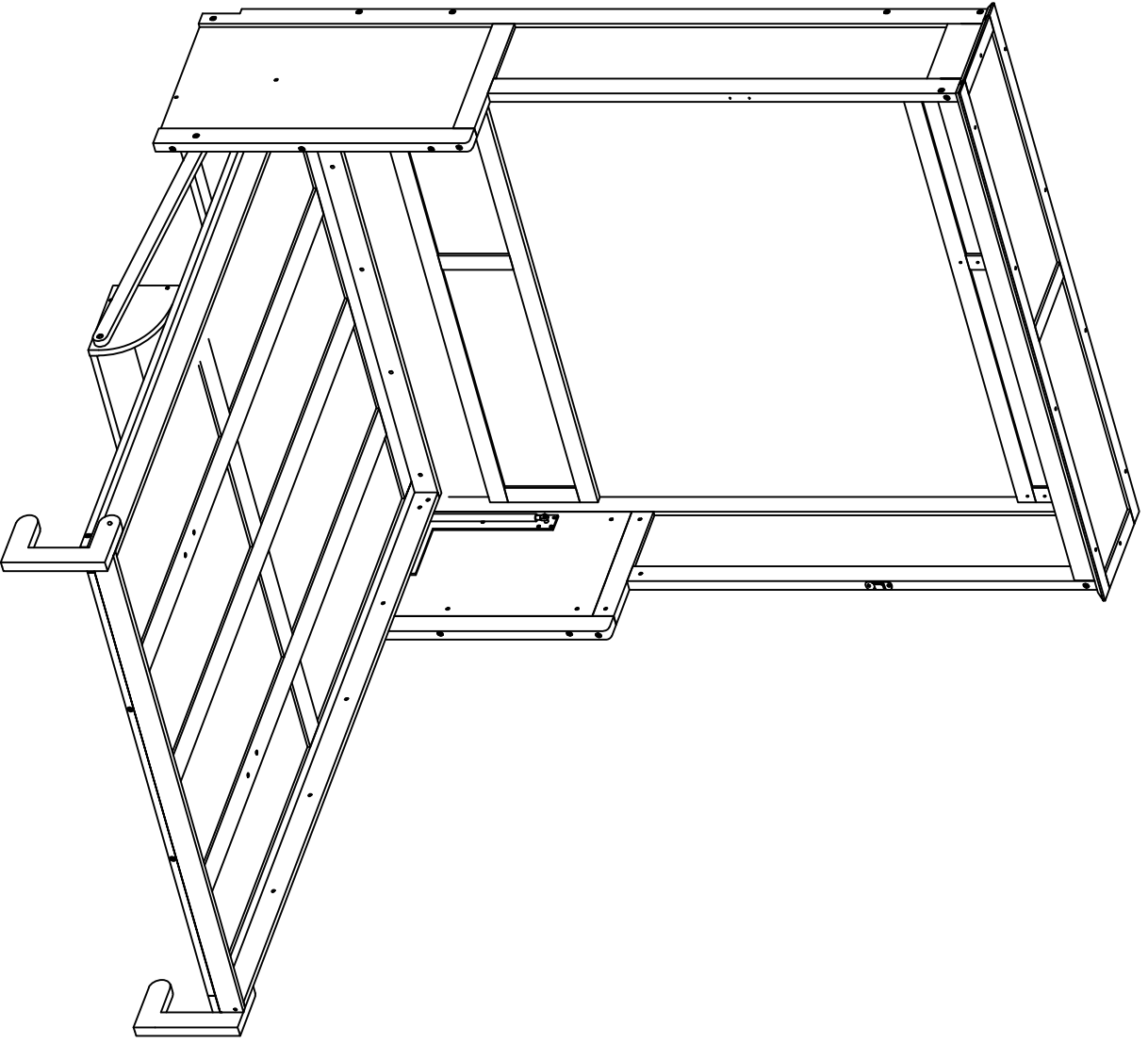


ASSEMBLY INSTRUCTIONS
SKU CODE: (SD33032)
ITEM NAME: QUEEN MURPHY BED WITH SHELF

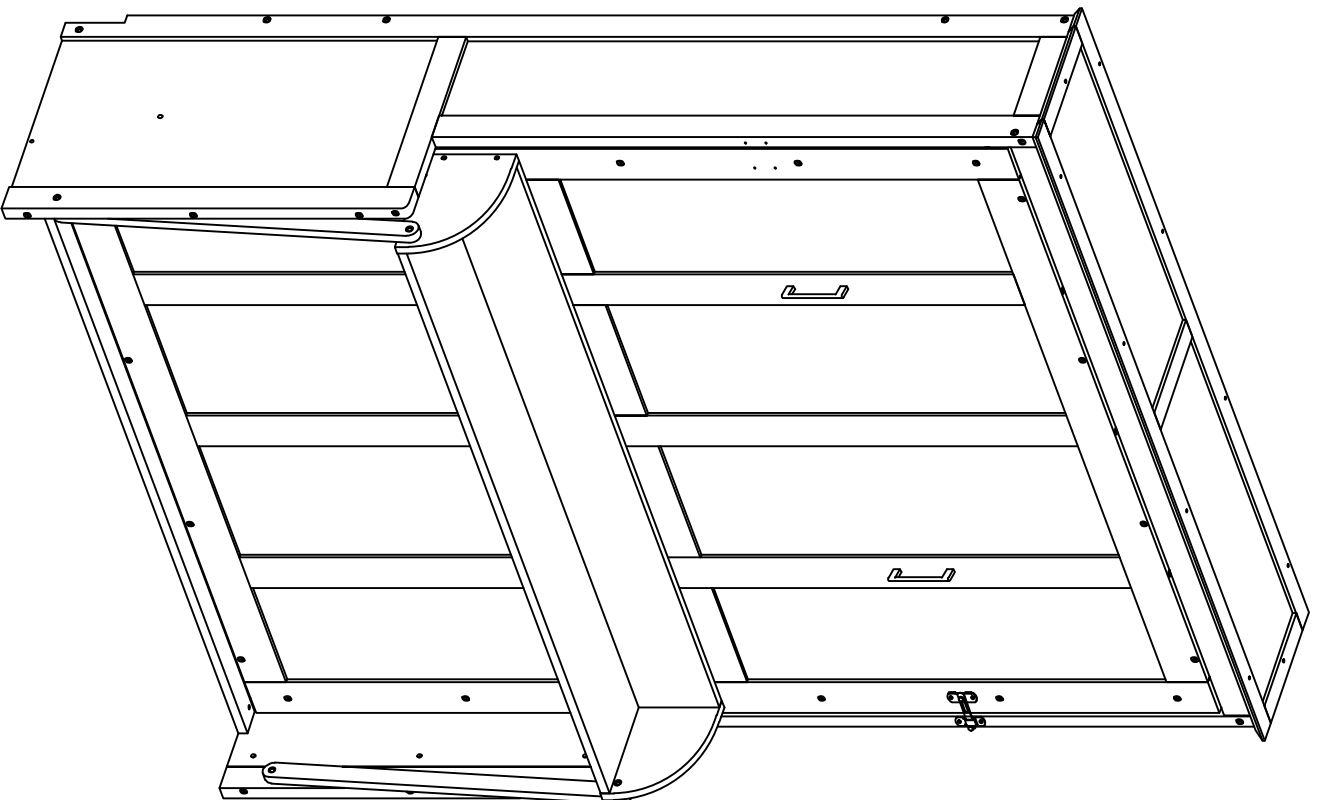


Suggestion:
Four people are required to
assemble and move this model.

OPTION 1



OPTION 2



WALL ANCHORING REQUIREMENTS & INSTALLATION RECOMMENDATIONS

Important information to read before starting the assembly.
Keep this information for future reference.



IMPORTANT WARNINGS

Risk of serious injuries if the wall bed tips over.

To prevent wall bed from tipping over, mount it permanently to the wall.

Only a qualified person* must carry out the installation and any possible adjustment of the wall bed (including disassembly). If the wall bed is not firmly mounted (anchored) to the wall, it might tip over and cause serious injuries to the installer, users of the bed as well as the people near the bed.

The choice of wall anchoring depends on the type of wall. Use wall anchors suitable for the wall material.

* Qualified person: it is necessary to have a good understanding of the wall structure where the bed is anchored, including the positioning of the wall studs and structural components in the case of a wood or metal structure. If you do not have the necessary skills, make sure that the wall anchoring is done by someone who has the qualifications and required knowledge. When you choose the installer, make sure to comply with all applicable regulations in the province, state or country where the furniture is installed.

IMPORTANT WARNINGS

INSTALLATION AND APPROPRIATE HARDWARE

Using appropriate hardware, all the anchor screws of the wall bed must be firmly secured to the wood or metal studs, the structural components, or a masonry wall.

Only wall anchor screws for wood-frame walls are provided with this bed.

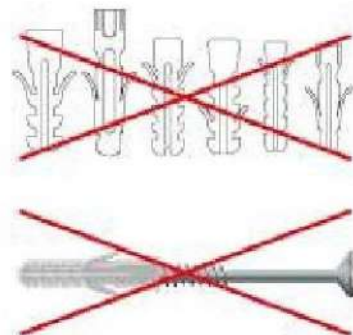
NEVER USE DRYWALL ANCHOR SCREWS OR SECURE THE BED TO DRYWALL

See wall anchoring requirements and installation notes provided in the instruction manual, according to the type of wall, and use the appropriate anchors such as described in this manual.

NUMBER OF SCREWS NEEDED

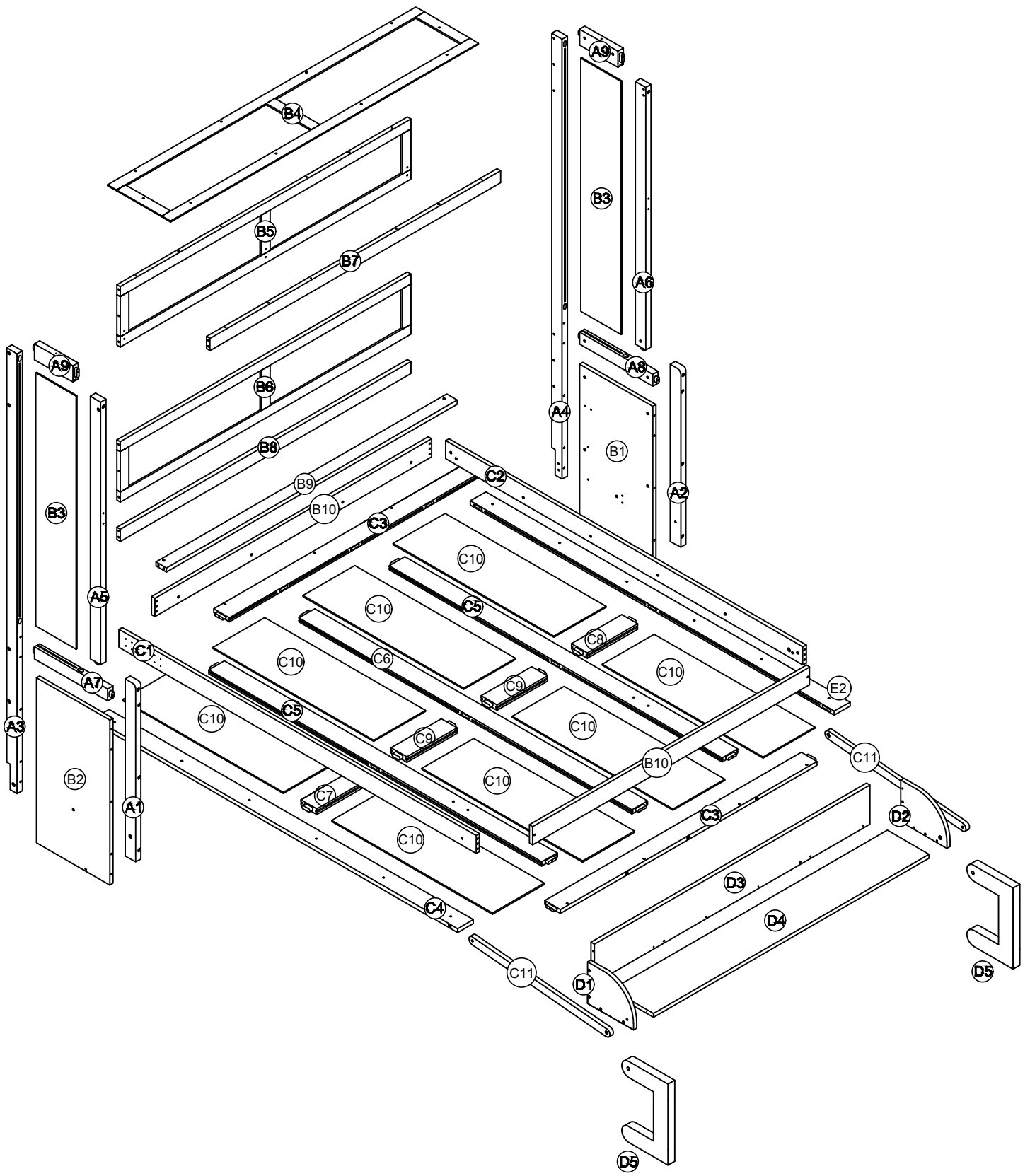
Two (2) screws are required for each anchor point. Three (3) wall anchor points are necessary for the proper installation of the wall bed. So you need a total of six (6) wall anchor screws.

THE SCREWS MUST BE VERY WELL ANCHORED TO THE STRUCTURAL COMPONENTS OF THE WALL.



** A CERTIFIED CONSTRUCTION PROFESSIONAL, IN COMPLIANCE WITH APPLICABLE REGULATIONS IN THE PROVINCE, STATE, OR COUNTRY WHERE THE FURNITURE IS INSTALLED.

ASSEMBLY INSTRUCTION



Part List (Box 1)

A1



Wood Bar-1pc

A2



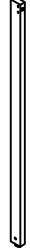
Wood Bar-1pc

A5



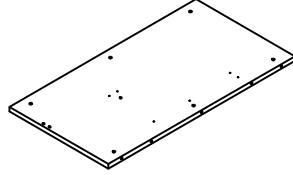
Wood Bar-1pc

A6



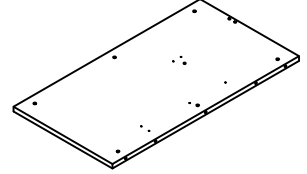
Wood Bar-1pc

B1



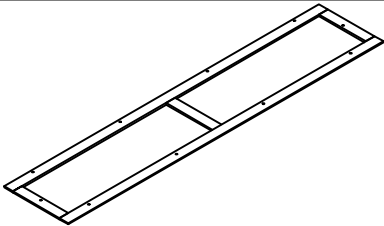
Left Bottom Panel -1pc

B2



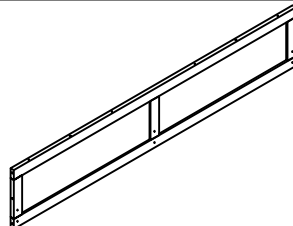
Right Bottom Panel -1pc

B4



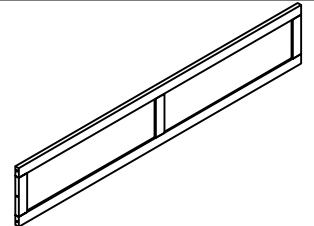
Cap Panel-1pc

B5



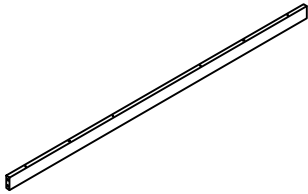
Upper Back Panel-1pc

B6



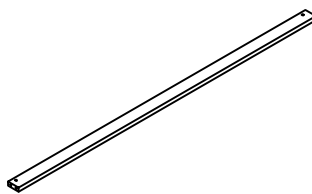
Lower Back Panel-1pc

B7



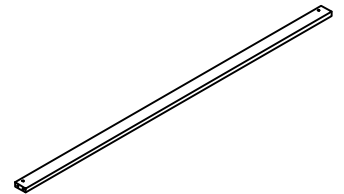
Wood Bar-1pc

B8



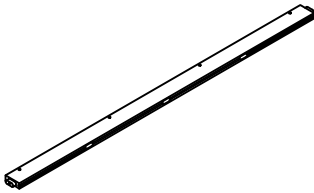
Wood Bar-1pc

B9



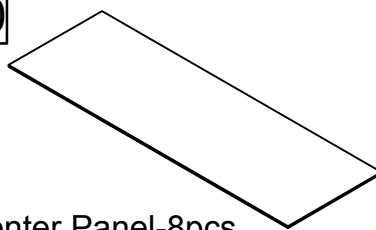
Wood Bar-1pc

C3



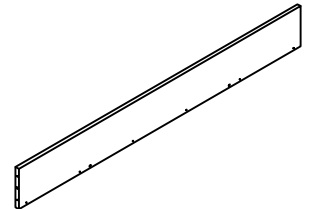
Wood Bar-2pcs

C10



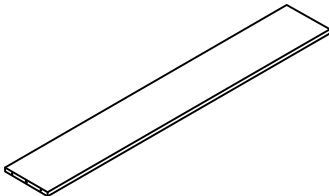
Center Panel-8pcs

D3



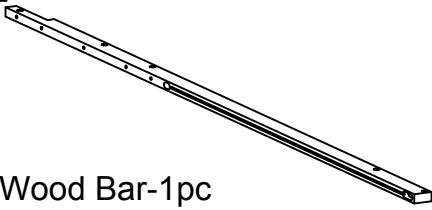
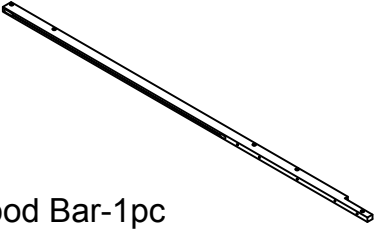
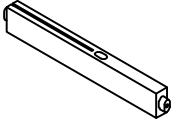
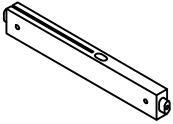
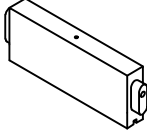
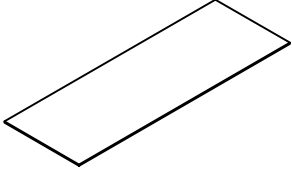
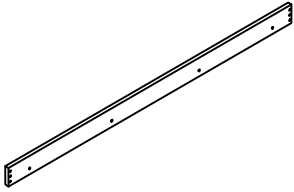
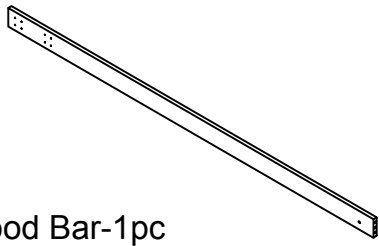
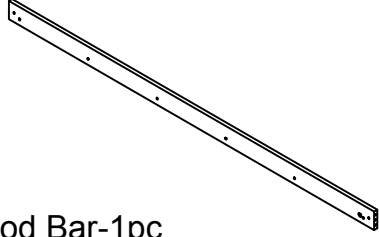
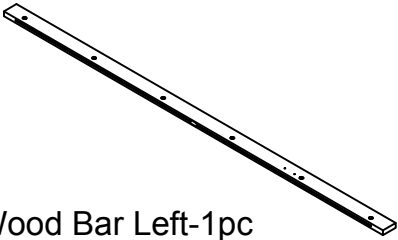
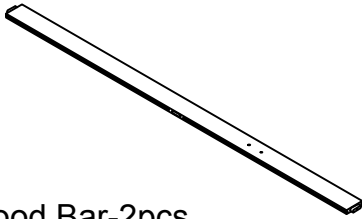
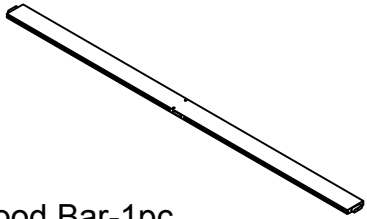
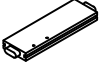
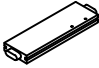
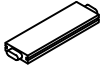
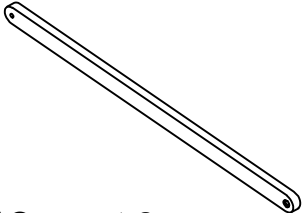
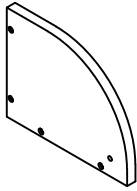
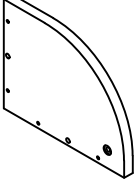
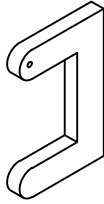
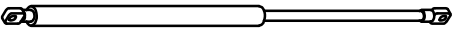
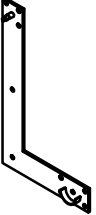
Shelf Panel-1pc

D4



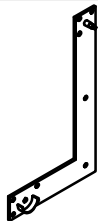
Shelf Panel-1pc

Part List & Hardware List (Box 2)

<p>A3</p>  <p>Wood Bar-1pc</p>	<p>A4</p>  <p>Wood Bar-1pc</p>	<p>A7</p>  <p>Left Lower Bar-1pc</p>
<p>A8</p>  <p>Right Lower Bar-1pc</p>	<p>A9</p>  <p>Left & Right Upper Bar-2pcs</p>	<p>B3</p>  <p>Left & Right Upper Panel-2pcs</p>
<p>B10</p>  <p>Wood Bar-2pcs</p>	<p>C1</p>  <p>Wood Bar-1pc</p>	<p>C2</p>  <p>Wood Bar-1pc</p>
<p>C4</p>  <p>Wood Bar Left-1pc</p>	<p>C5</p>  <p>Wood Bar-2pcs</p>	<p>C6</p>  <p>Wood Bar-1pc</p>
<p>C7</p>  <p>Wood Bar-1pc</p>	<p>C8</p>  <p>Wood Bar-1pc</p>	<p>C9</p>  <p>Wood Bar-2pcs</p>
<p>C11</p>  <p>Shelf Support-2pcs</p>	<p>D1</p>  <p>Shelf Left Side Panel-1pc</p>	<p>D2</p>  <p>Shelf Right Side Panel-1pc</p>
<p>D5</p>  <p>Leg Irons-2pcs</p>	<p>D6</p>  <p>Gas Spring-2pcs</p>	<p>D7</p>  <p>Left Metal Corner Bracket-1pc</p>

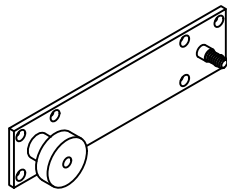
Part List & Hardware List (Box 2)

D8



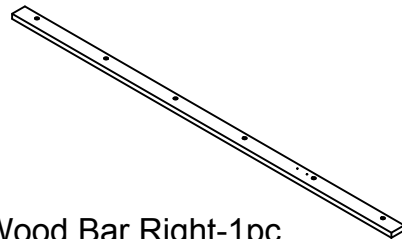
Right Metal Corner Bracket-1pc

E1




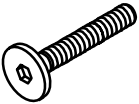
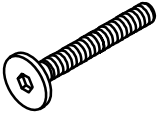
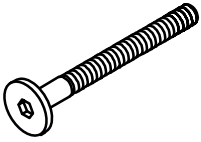
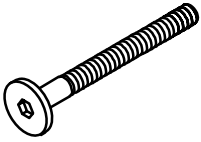
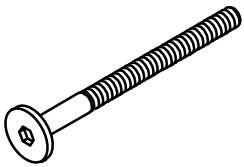
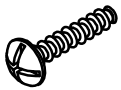
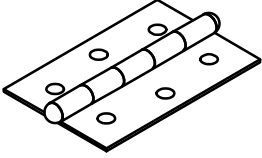
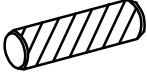
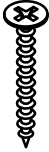
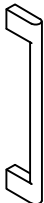



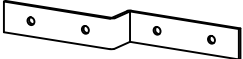


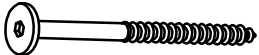



Metal Connecting Plate-2pcs

E2



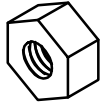
Wood Bar Right-1pc

Hardware List (Box 2)

<p>1</p>  <p>Plastic Wall Anchors 8pcs</p>	<p>2</p>  <p>Ø1/4" x 30 mm Hex-Head Bolts 2pcs</p>	<p>3</p>  <p>Ø1/4" x 40 mm Hex-Head Bolts 4pcs</p>
<p>4</p>  <p>Ø1/4" x 60 mm Hex-Head Bolts 24pcs</p>	<p>5</p>  <p>Ø1/4" x 70 mm Hex-Head Bolts 16pcs</p>	<p>6</p>  <p>Ø1/4" x 100 mm Hex-Head Bolts 20pcs</p>
<p>7</p>  <p>5/32" x 30 Pan-Head Bolts 4pcs</p>	<p>8</p>  <p>Hinges 3pcs</p>	<p>9</p>  <p>Ø8 x 30 mm Wood Dowels 32pcs</p>
<p>10</p>  <p>M4 x 40 mm Anchor Screws 8pcs</p>	<p>11</p>  <p>Handles 2pcs</p>	<p>12</p>  <p>Ø1/4" x 13 mm Horizontal-Hole Nuts 60pcs</p>
<p>13</p>  <p>Ø1/4" x 15 mm Canopy Head Nuts 6pcs</p>	<p>14</p>  <p>Ø19 / Ø8 x 2 mm Washer 6pcs</p>	<p>15</p>  <p>160x20x2mm Metal Corner Brackets 4pcs</p>
<p>16</p>  <p>Allen Key 2pcs</p>	<p>17</p>  <p>Screws 1/4" x 40 10pcs</p>	<p>18</p>  <p>Screws 1/4" x 100 10pcs</p>
<p>19</p>  <p>M4 x 20 mm Pan-Head Screws 8pcs</p>	<p>20</p>  <p>M3 x 15 mm Wood Screws 18pcs</p>	<p>21</p>  <p>M4 x 20 mm Wood Screws 36pcs</p>

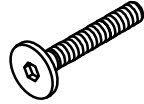
Hardware List (Box 2)

22



Nut 4pcs

23



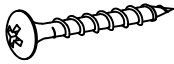
M8 x 40 mm
Hex-Head Bolts 2pcs

24



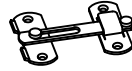
Wrench Key 13- 1pc

25



M4 x 40 mm
Wood Screws 14pcs

26

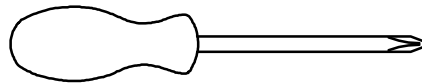


Lock 1set

27

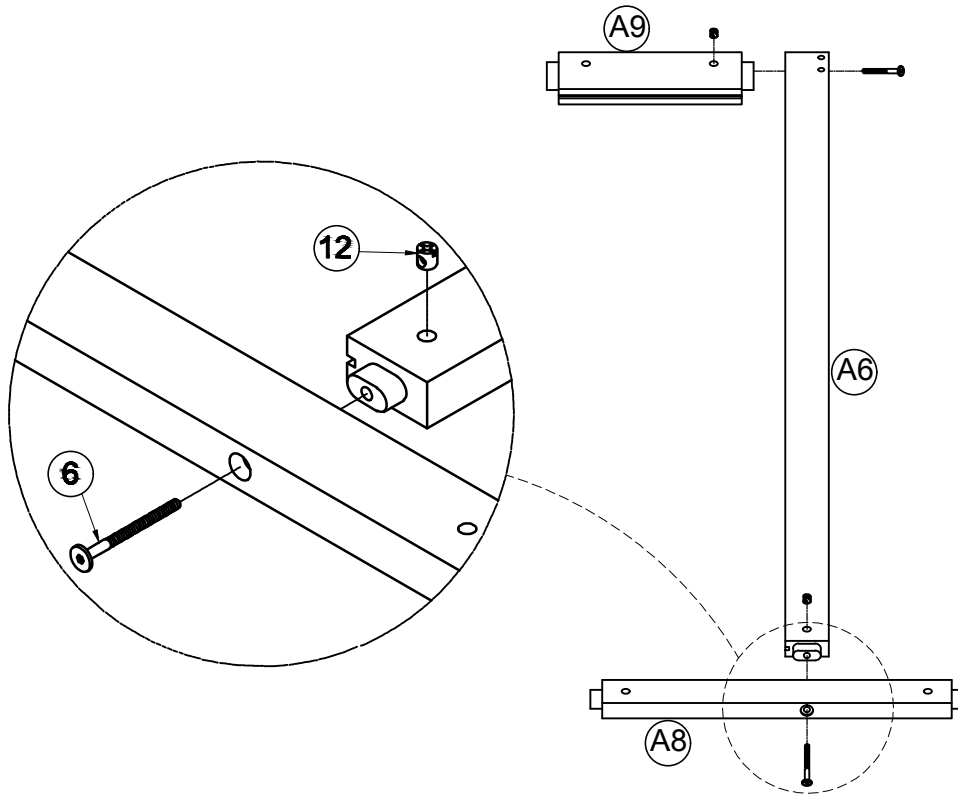


M3.5 x 15 mm
Wood Screws 4pcs

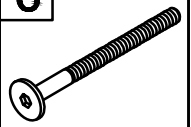


Assembly Tools Required (Not Included)

STEP1: Follow below illustration.



6



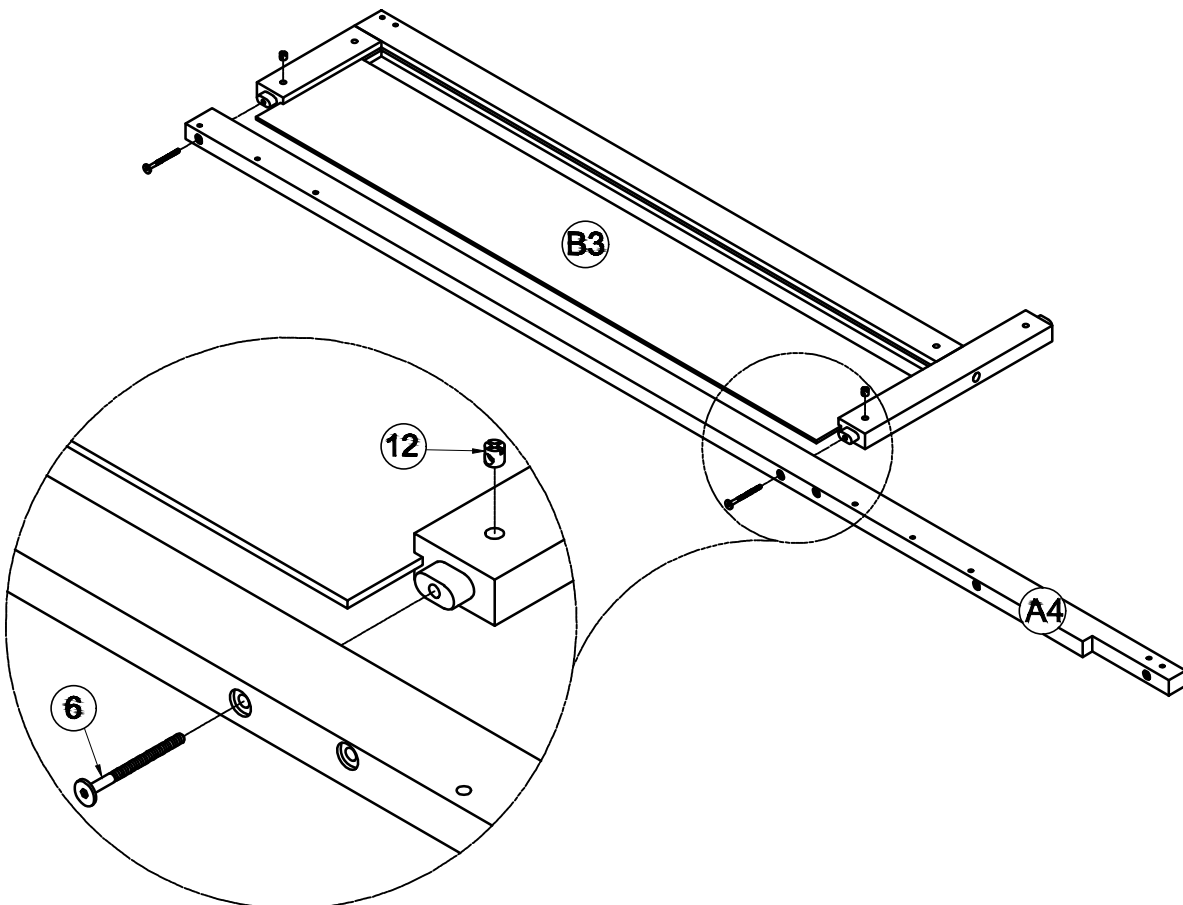
2(pcs)

12

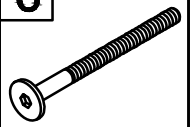


2(pcs)

STEP2: Follow below illustration.



6



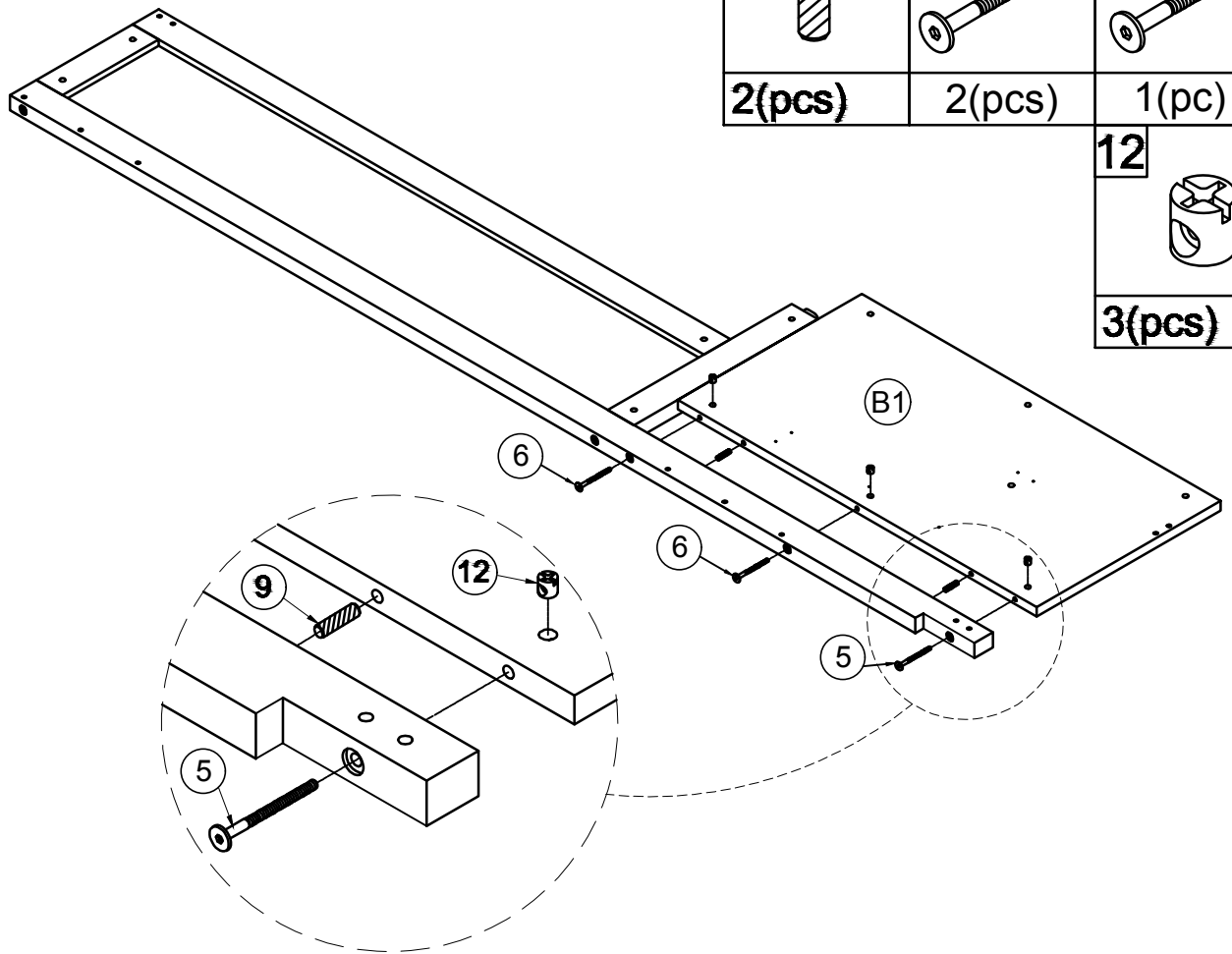
2(pcs)

12



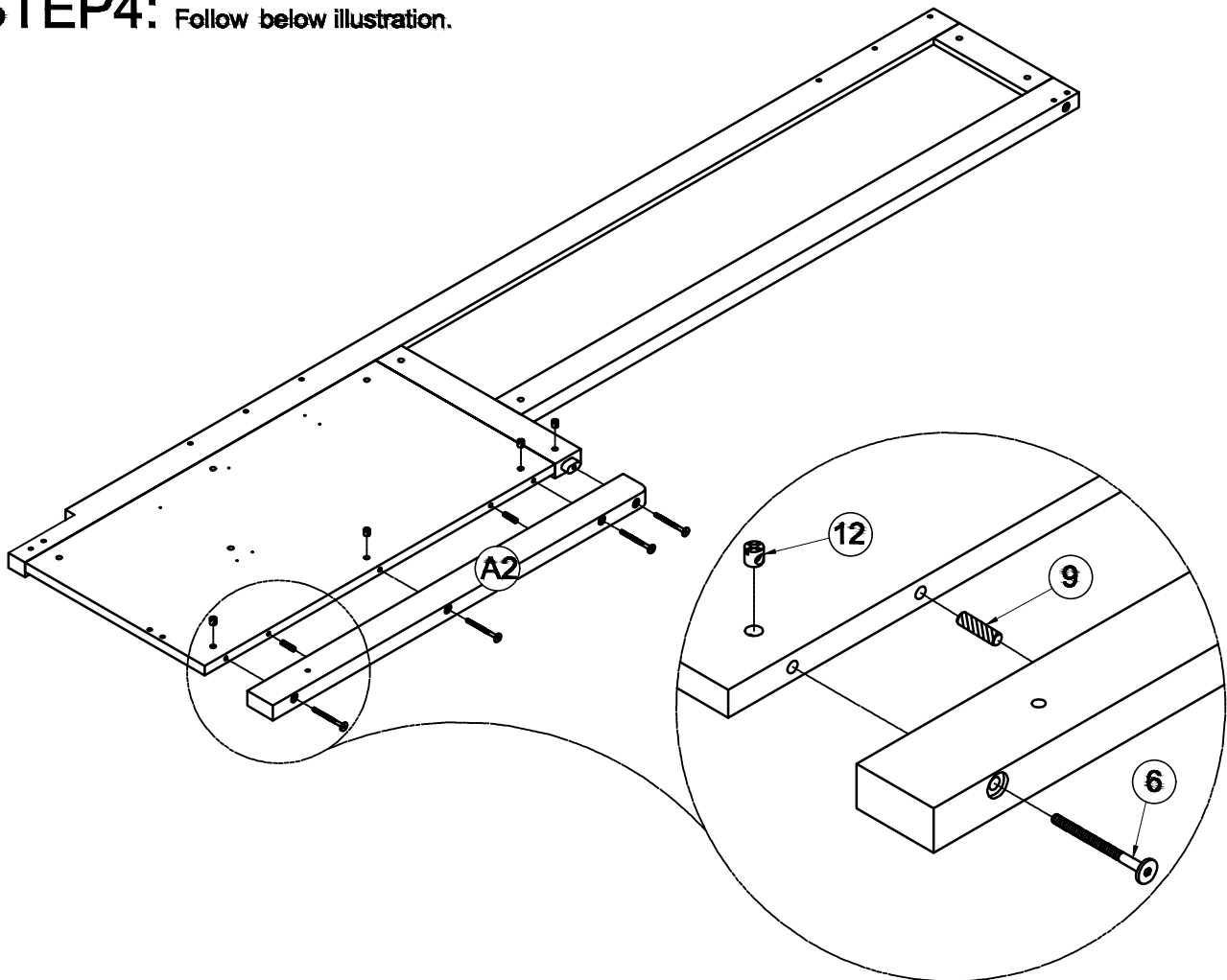
2(pcs)

STEP3: Follow below illustration.



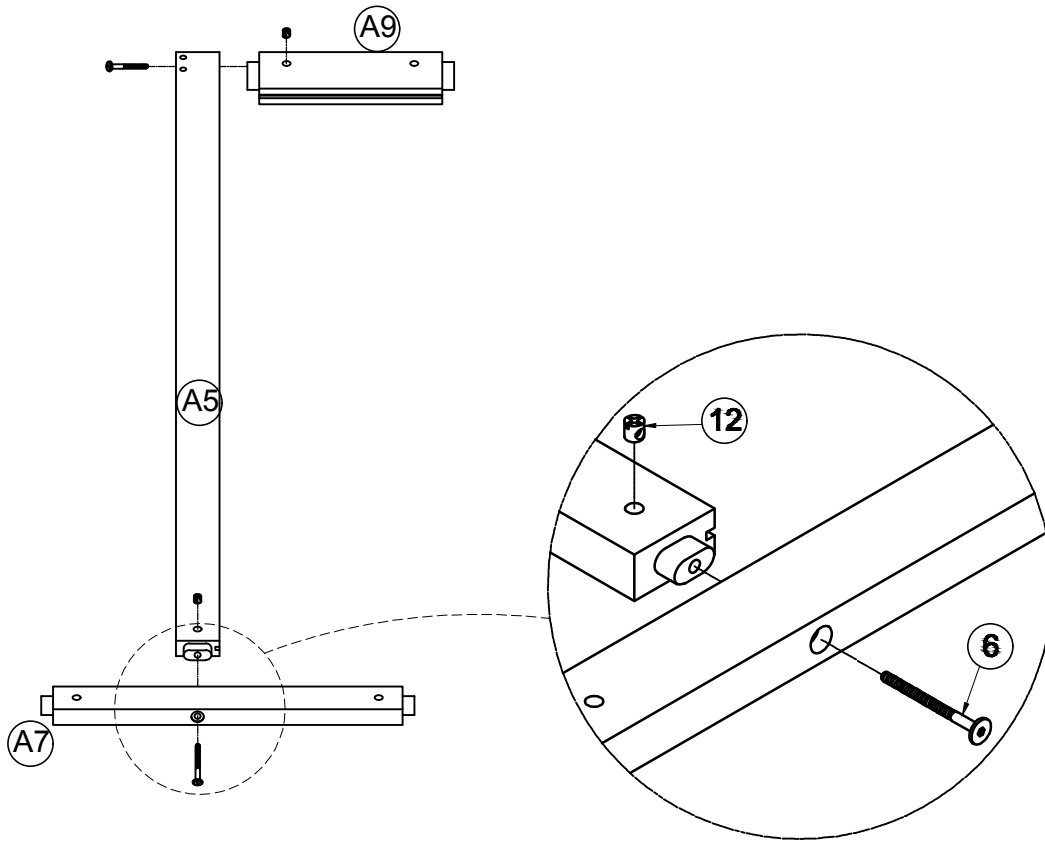
9		6		5	
2(pcs)		2(pcs)		1(pc)	
					12
					3(pcs)

STEP4: Follow below illustration.

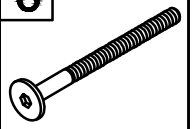


6	
4(pcs)	
12	
4(pcs)	
9	
2(pcs)	

STEP5: Follow below illustration.



6



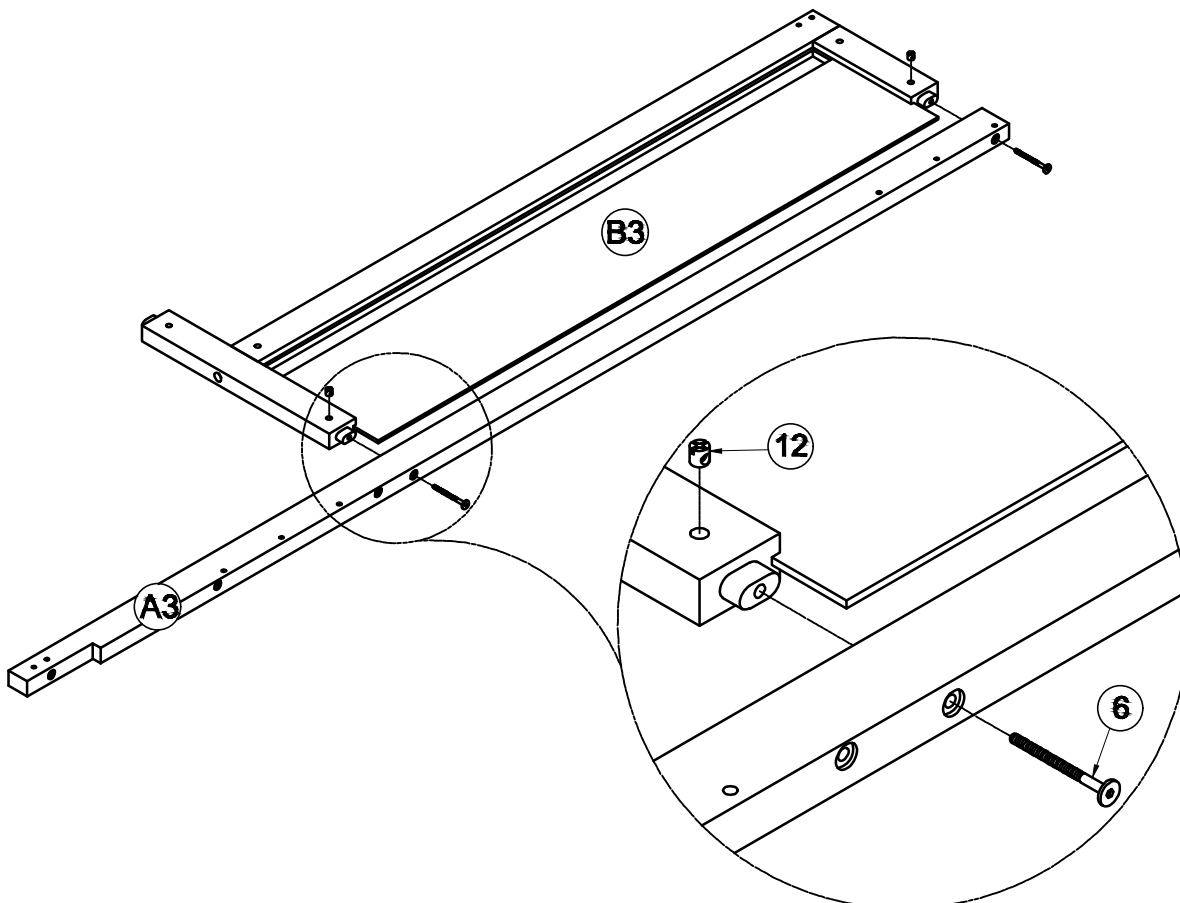
2(pcs)

12

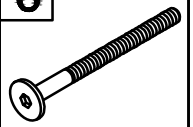


2(pcs)

STEP6: Follow below illustration.



6



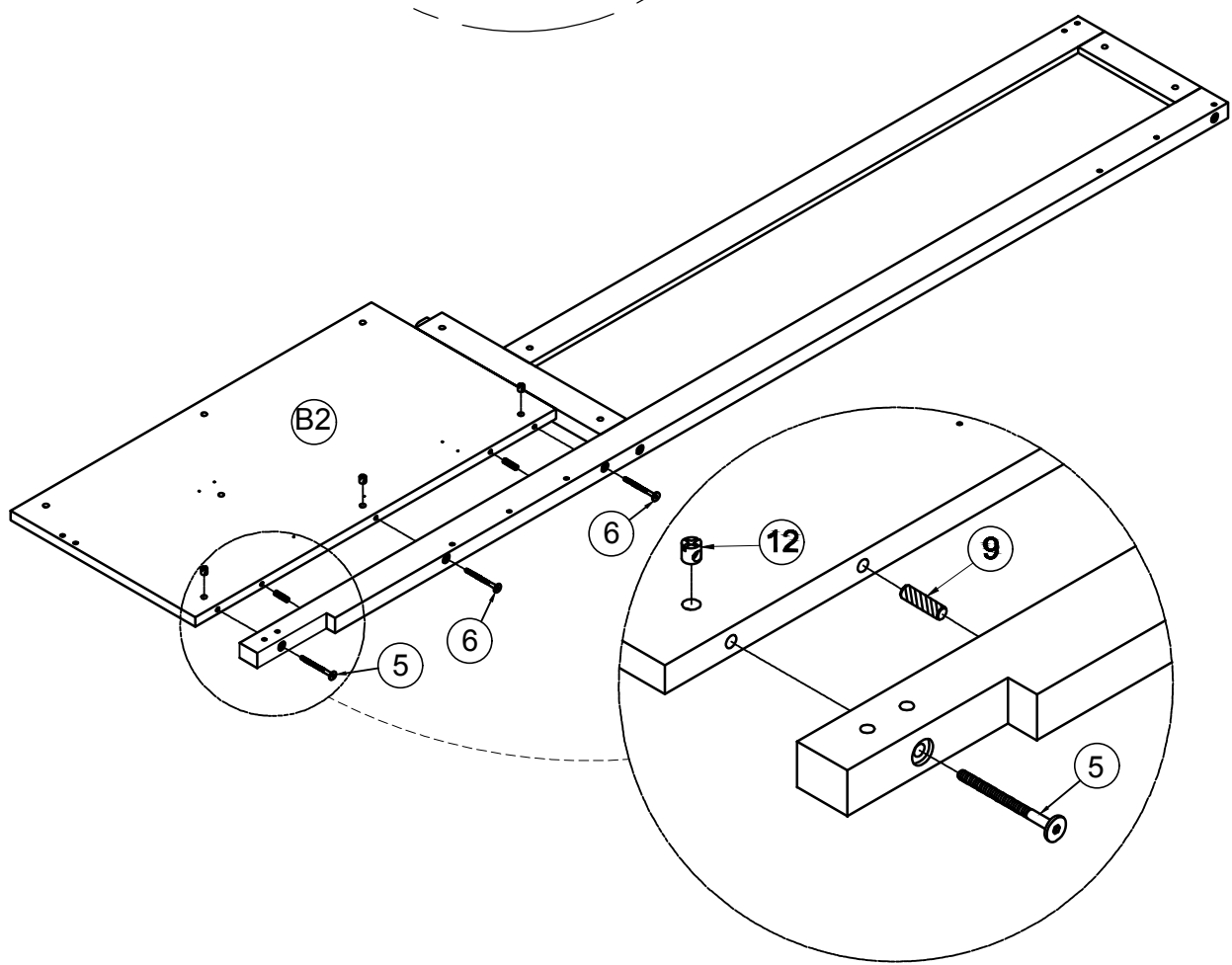
2(pcs)

12



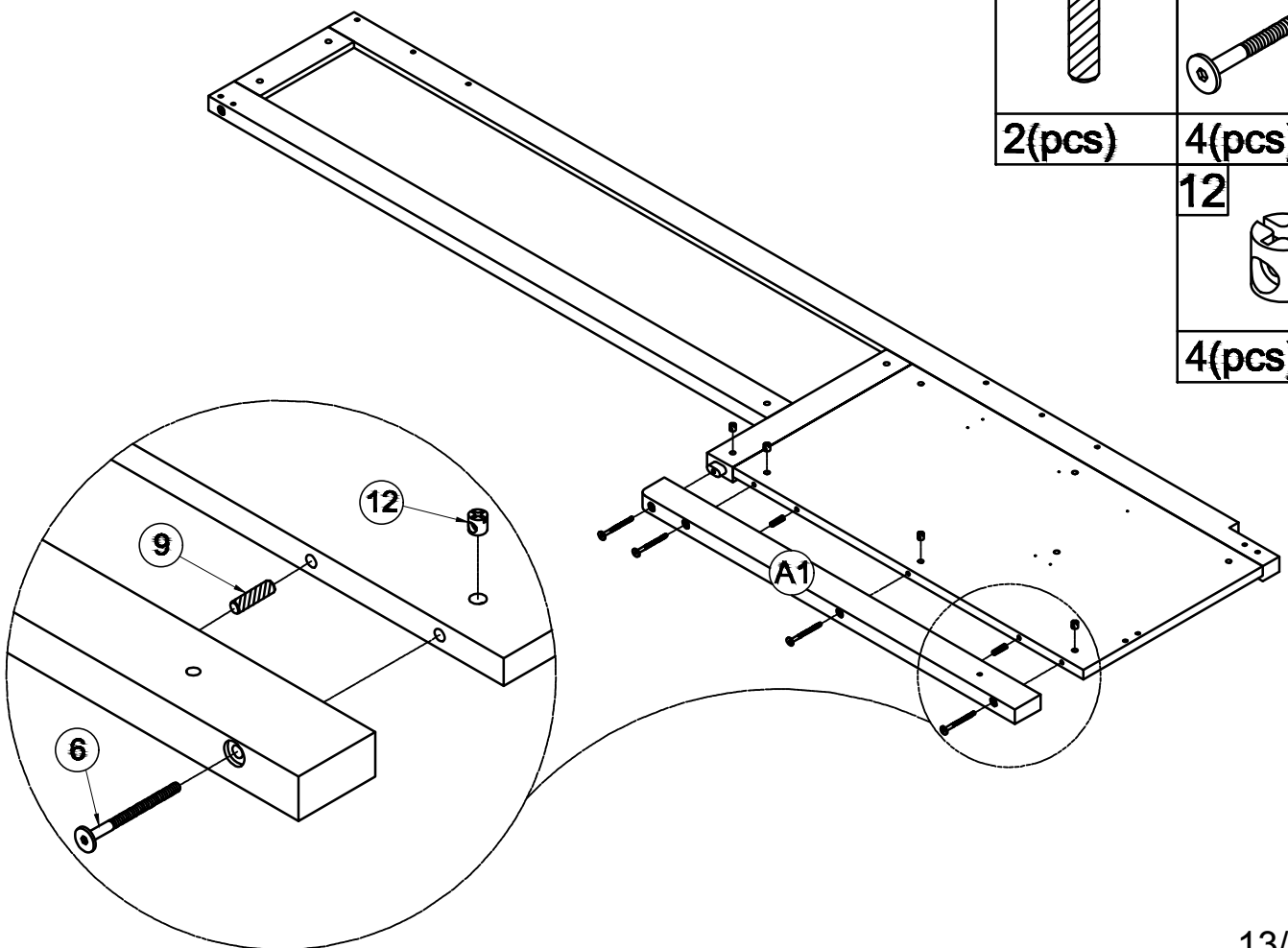
2(pcs)

STEP7: Follow below illustration.




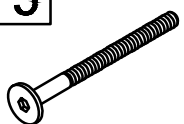

- | | |
|--------|--|
| 5 | |
| 1(pc) | |
| 6 | |
| 2(pcs) | |
| 12 | |
| 3(pcs) | |
| 9 | |
| 2(pcs) | |

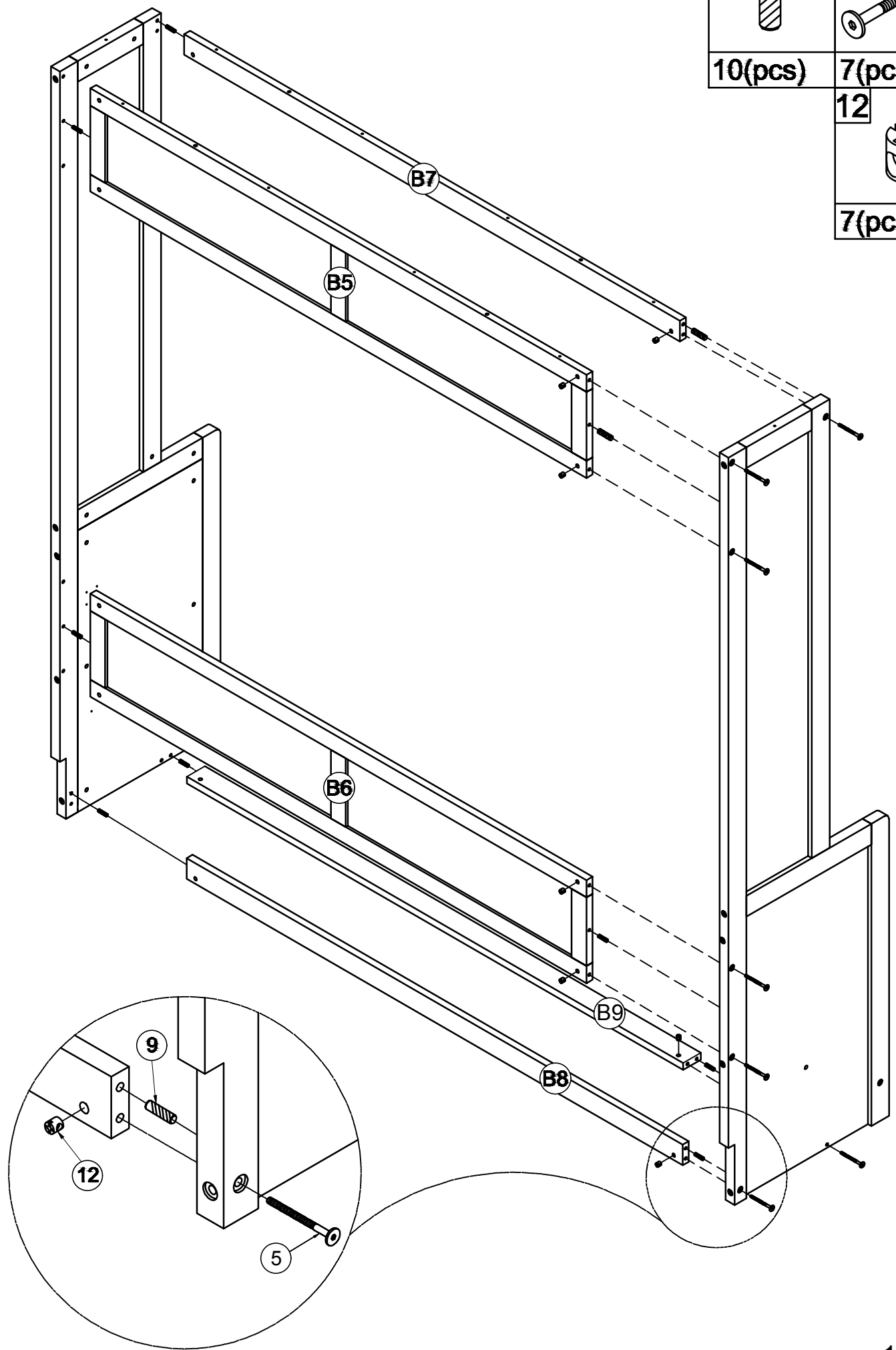
STEP8: Follow below illustration.



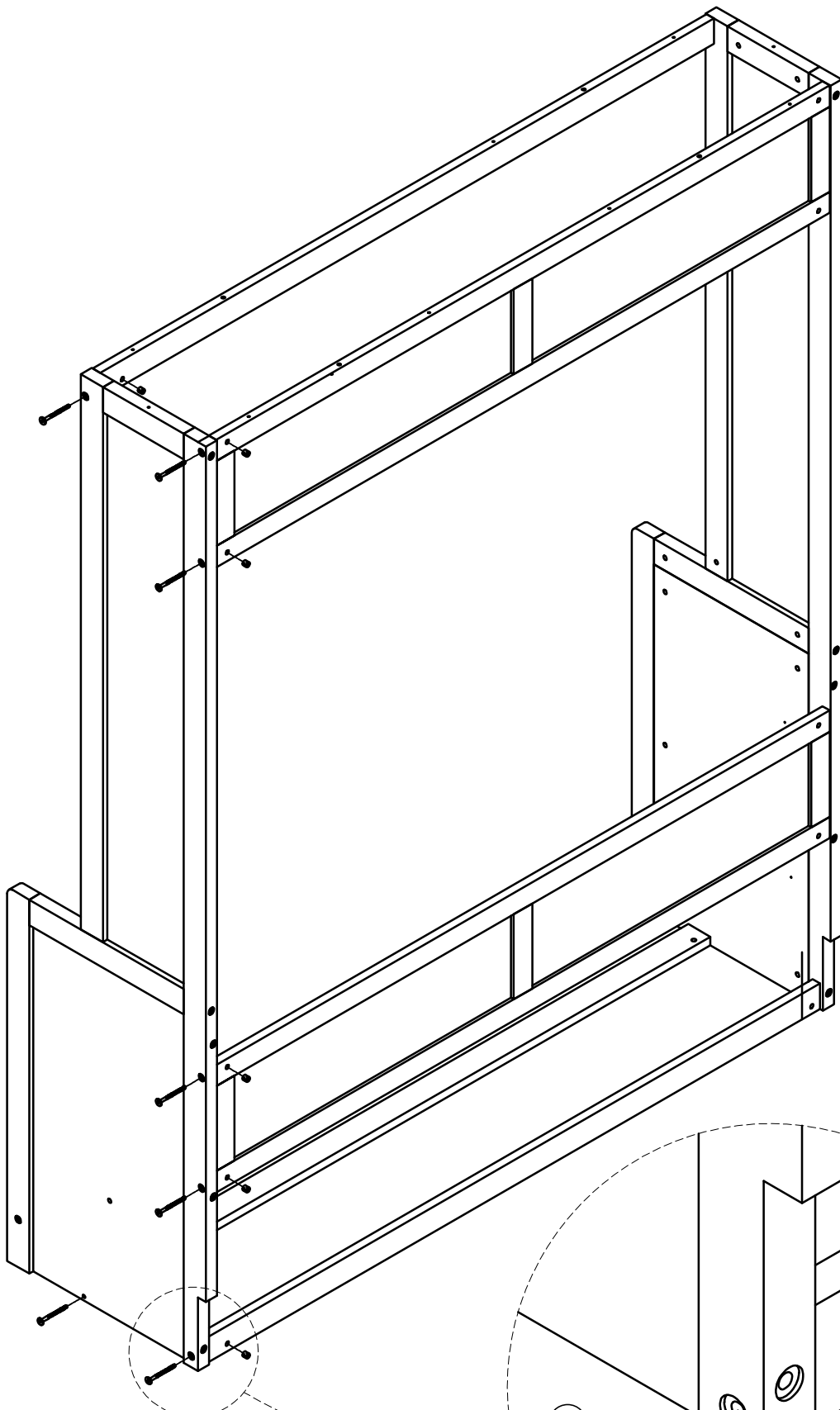
- | | |
|--------|--|
| 9 | |
| 2(pcs) | |
| 6 | |
| 4(pcs) | |
| 12 | |
| 4(pcs) | |

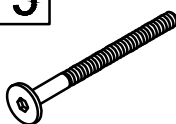

STEP9: Follow below illustration.

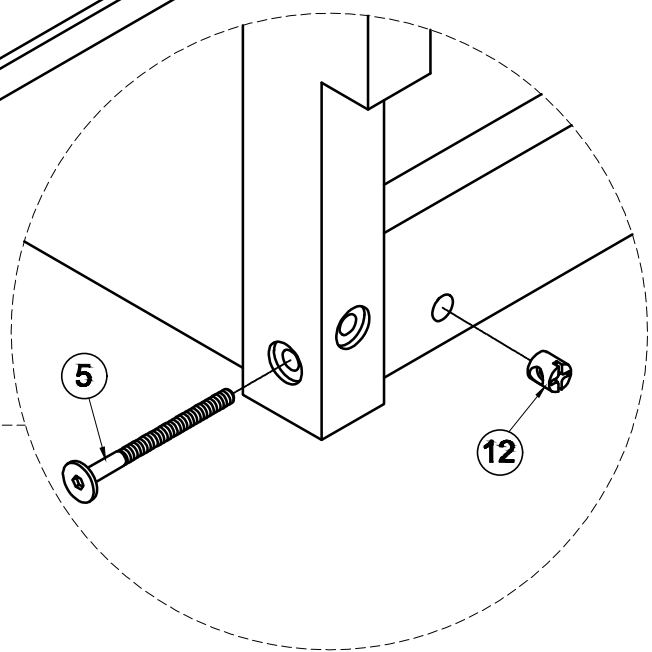
9		5	
10(pcs)		7(pcs)	
		12	
		7(pcs)	



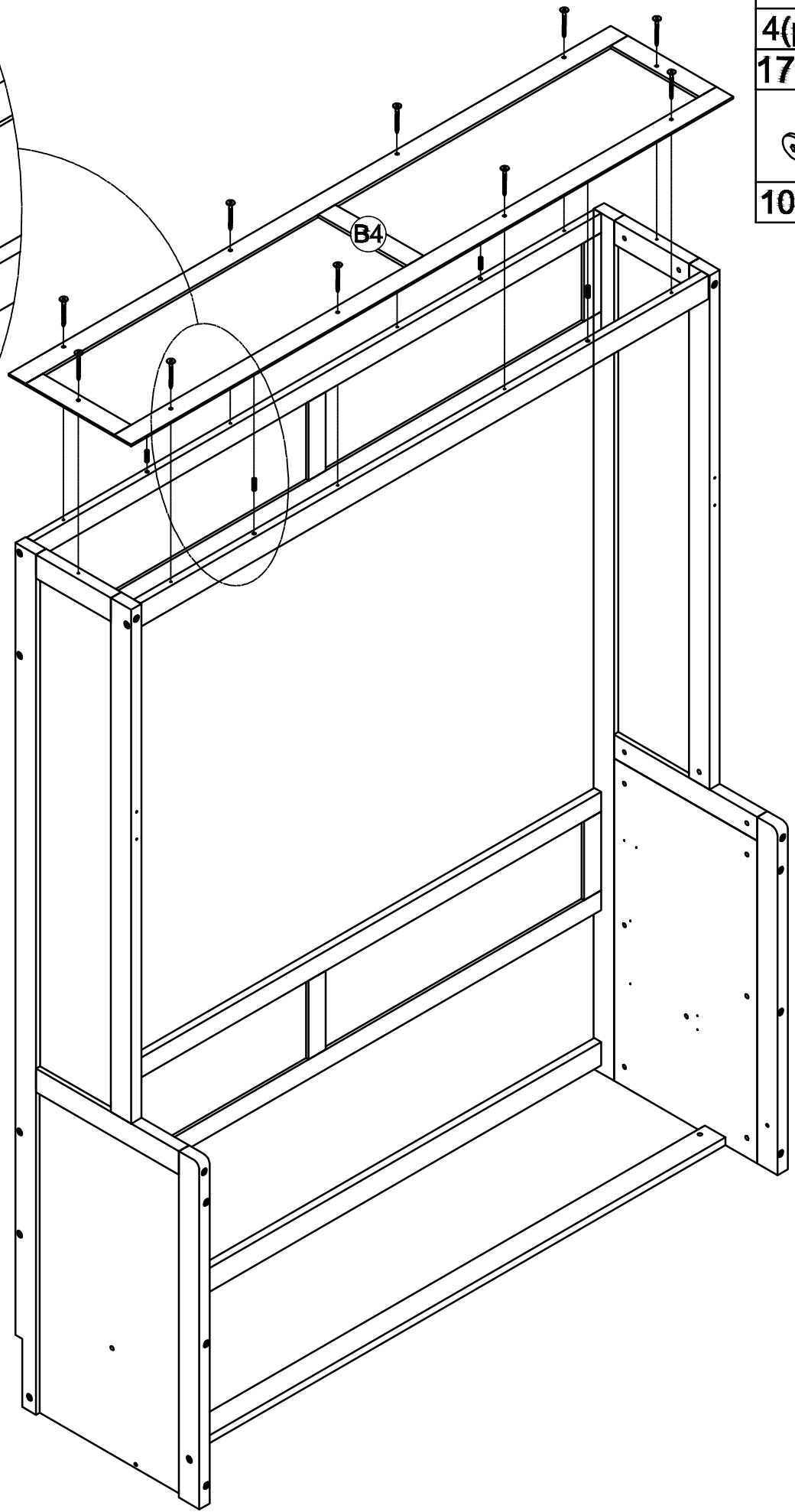
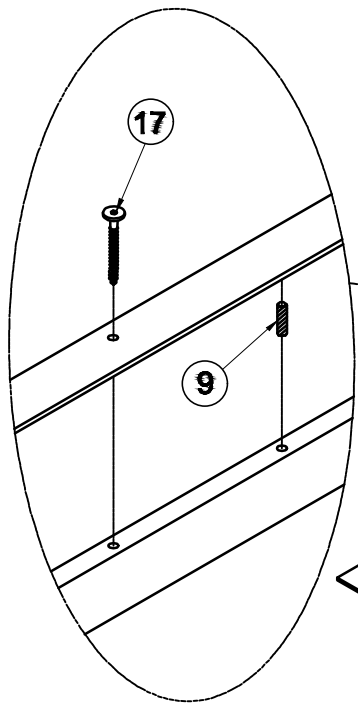
STEP10: Follow below illustration.

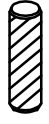



- | |
|---|
| 5 |
|  |
| 7(pcs) |
| 12 |
|  |
| 7(pcs) |

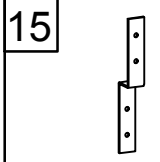


STEP11: Follow below illustration.

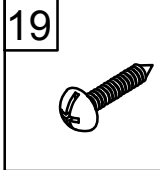


9	
4(pcs)	
17	
10(pcs)	

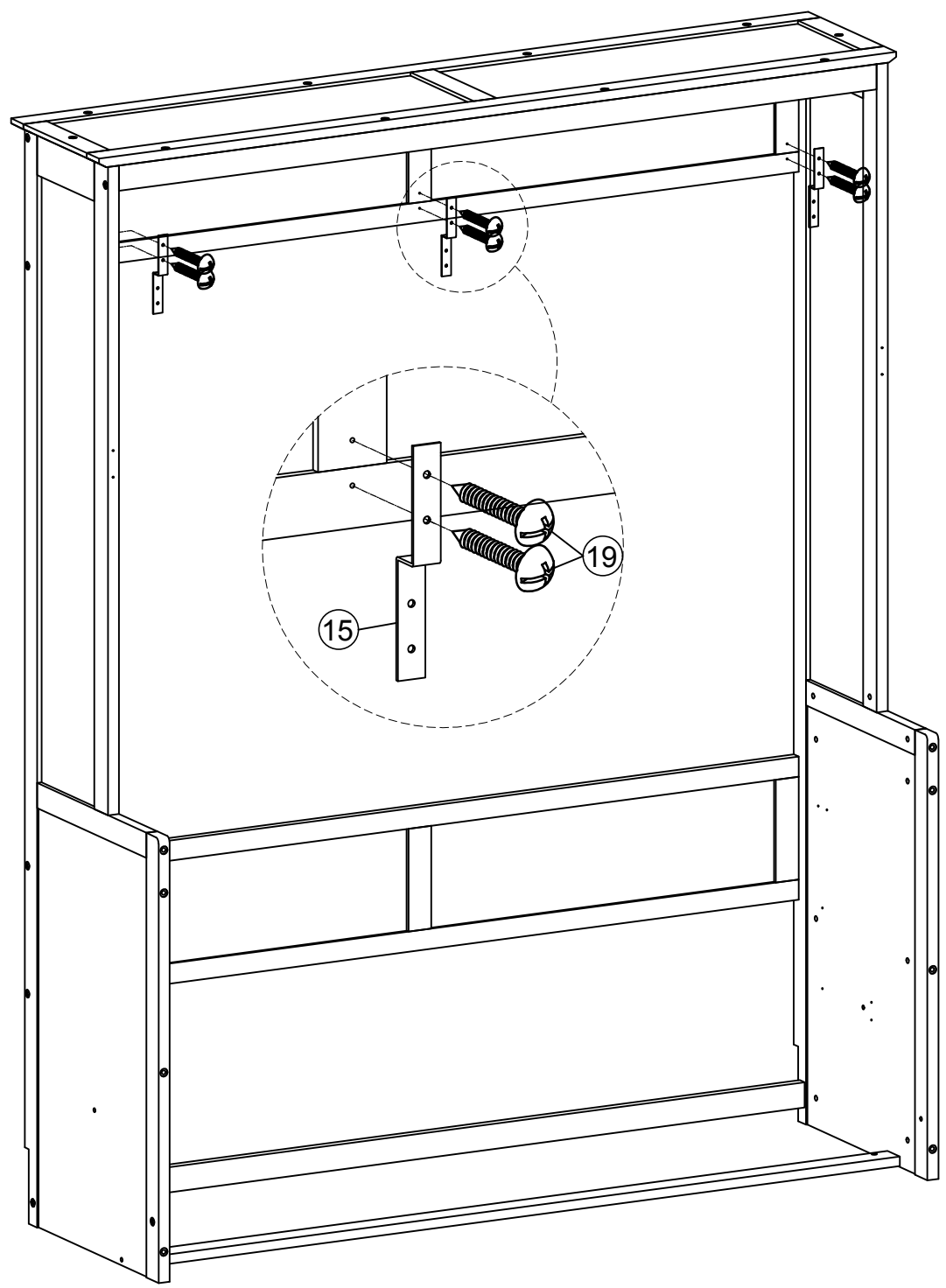
STEP12: Follow below illustration.



3(pcs)



6(pcs)

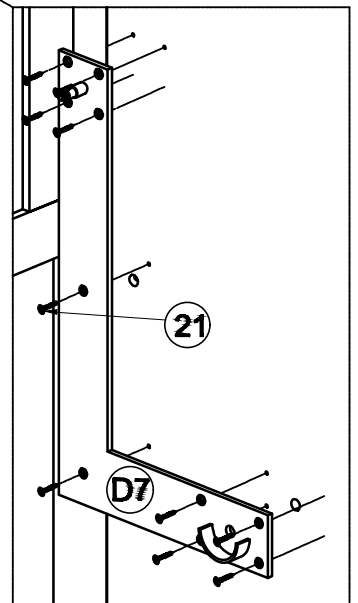
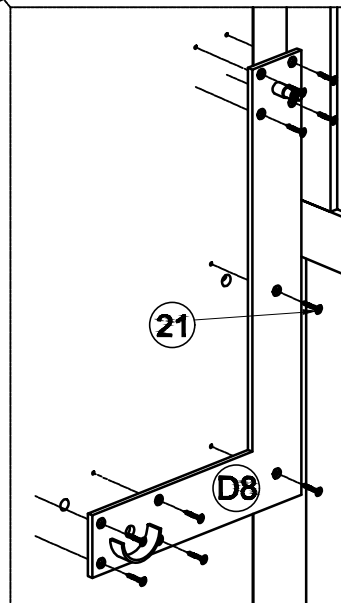
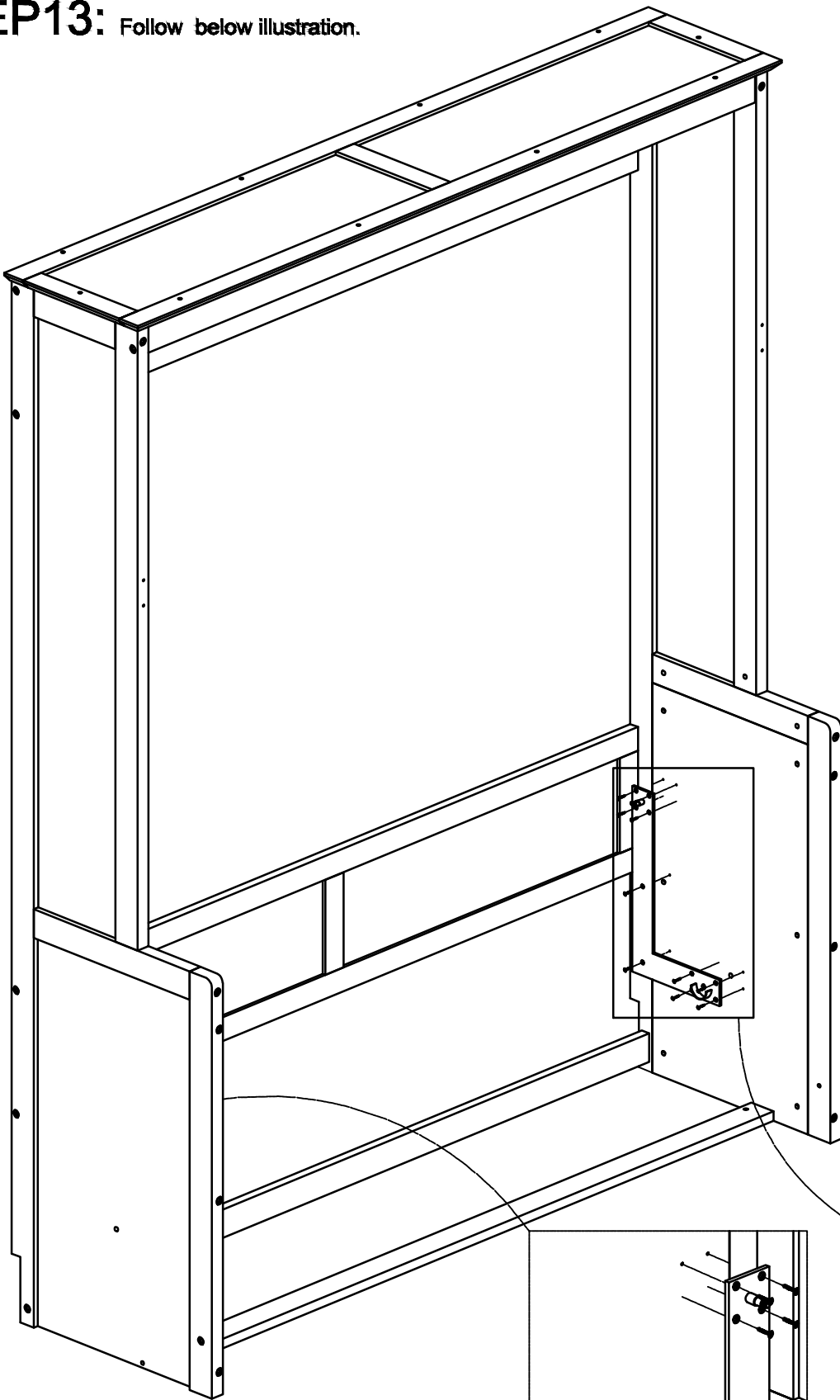


STEP13: Follow below illustration.

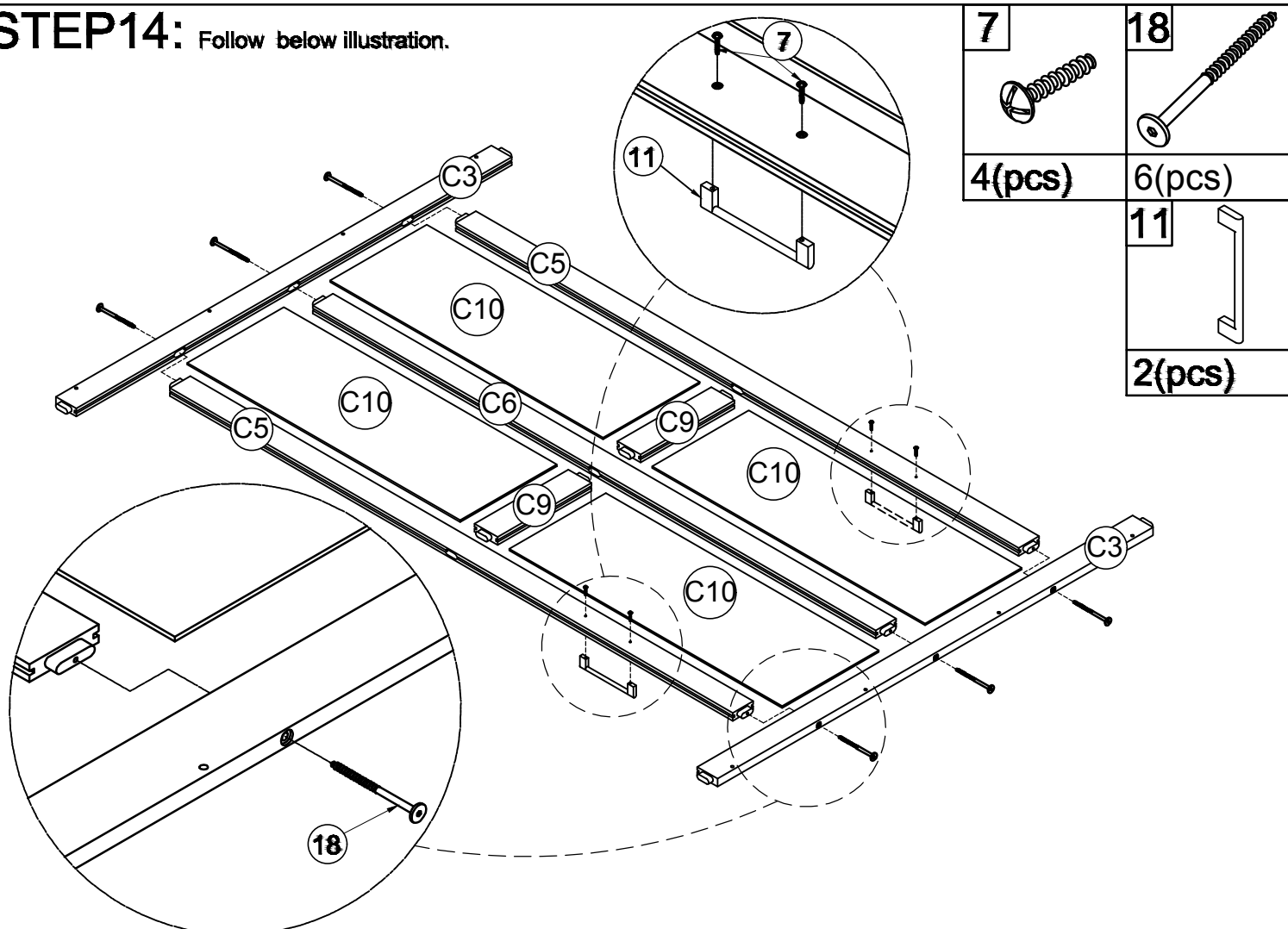
21



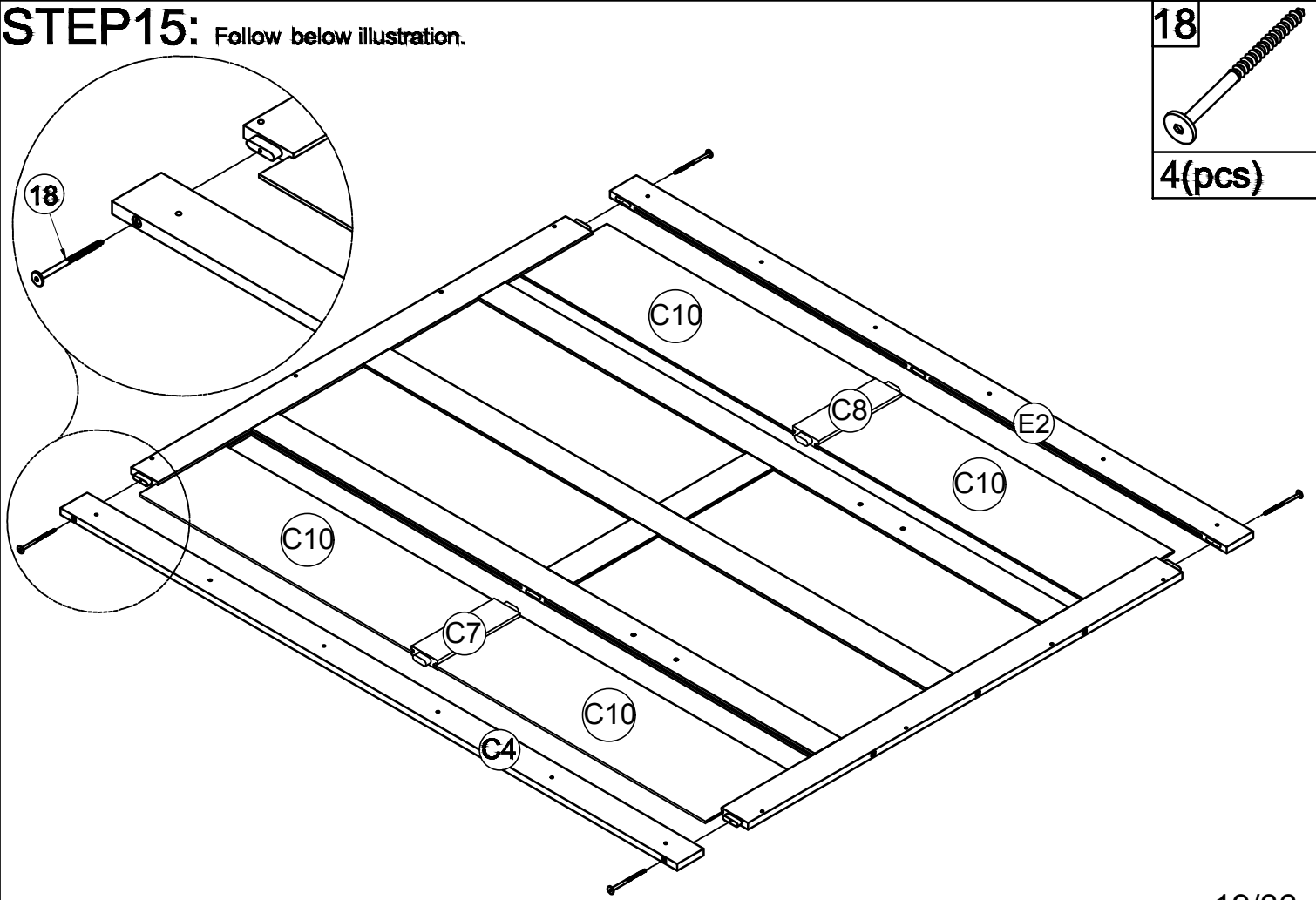
20(pcs)



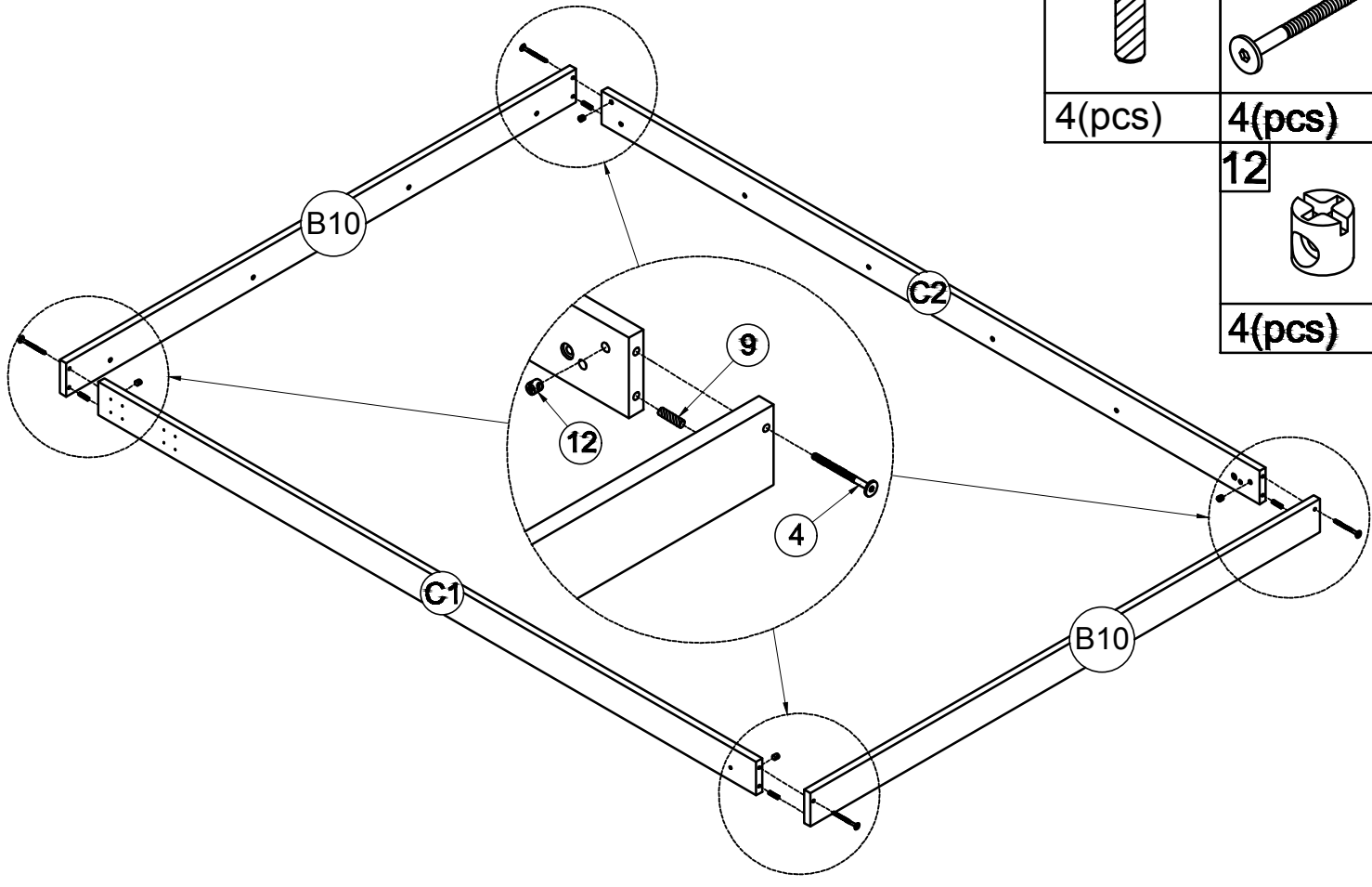
STEP14: Follow below illustration.



STEP15: Follow below illustration.

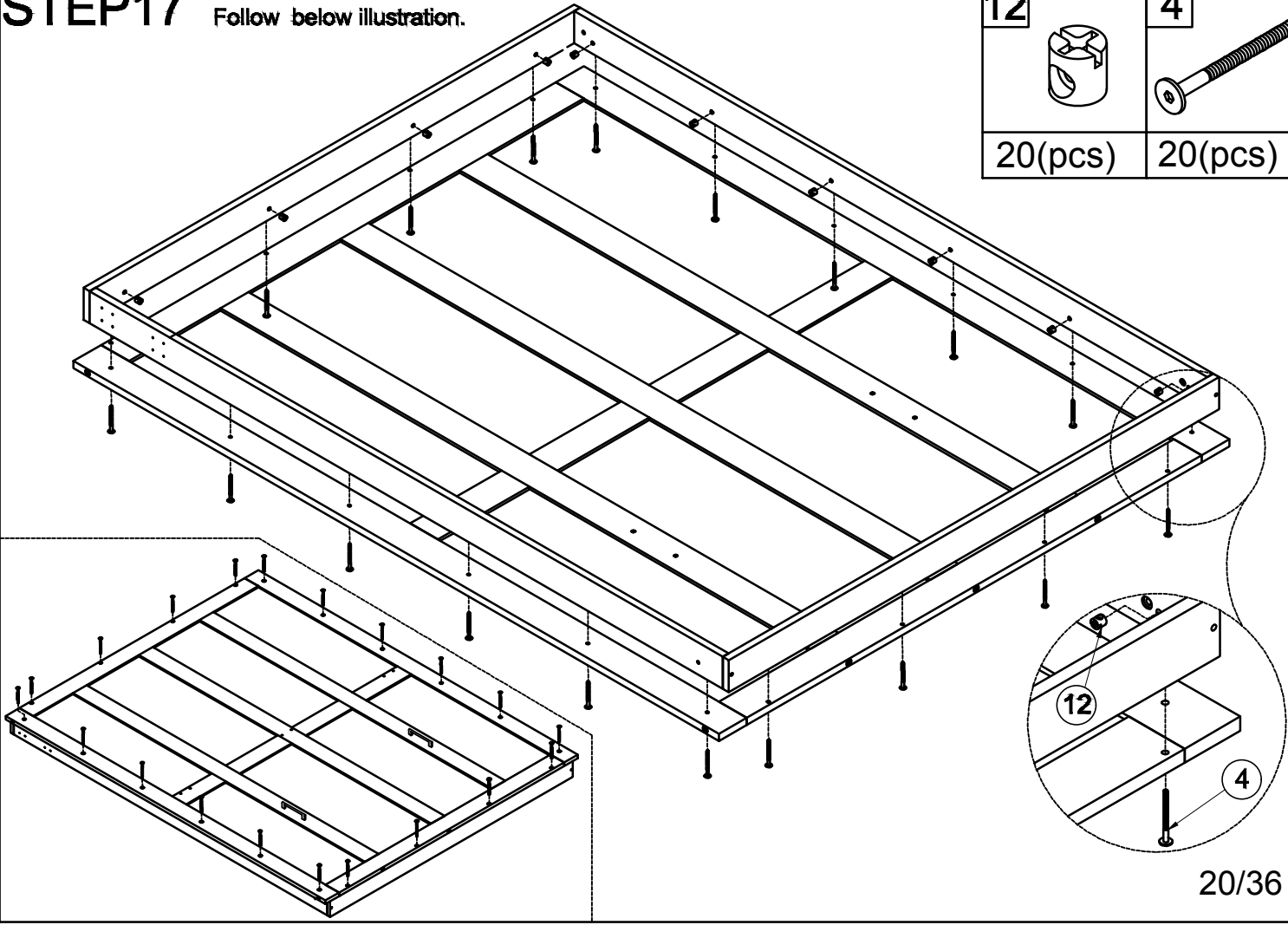


STEP16: Follow below illustration.



9		4	
4(pcs)		4(pcs)	
		12	
		4(pcs)	

STEP17 Follow below illustration.



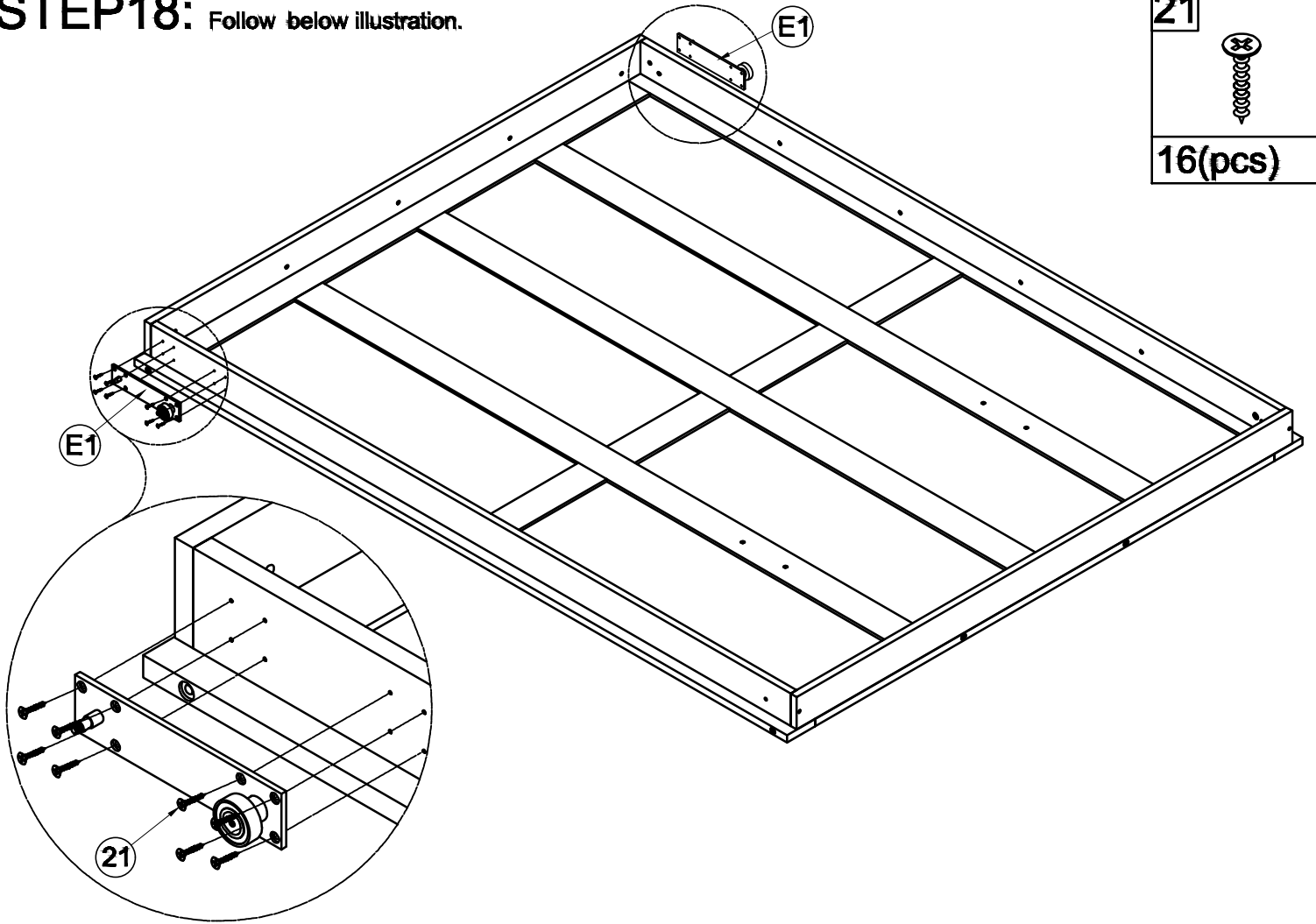
12		4	
20(pcs)		20(pcs)	

STEP18: Follow below illustration.

21



16(pcs)

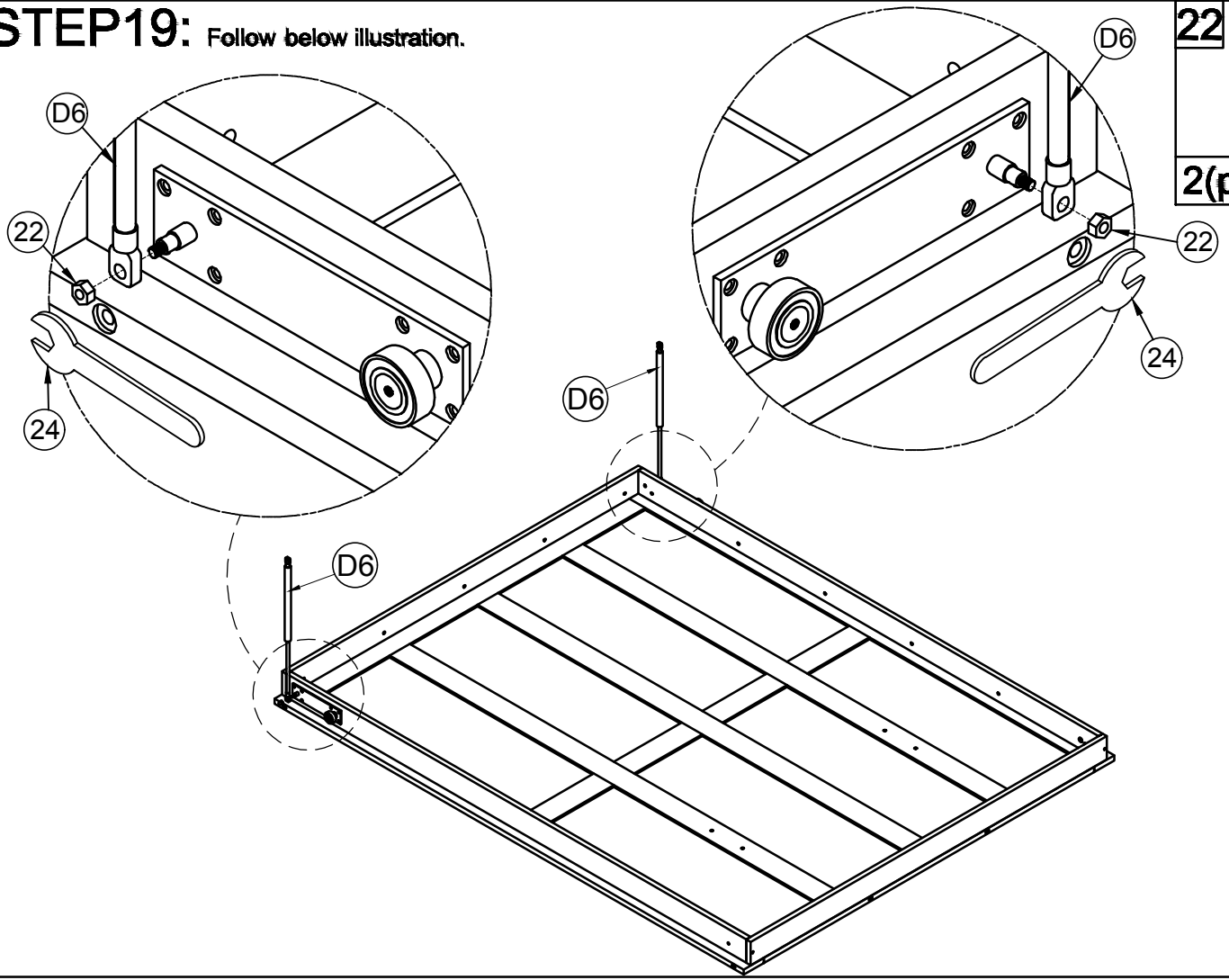


STEP19: Follow below illustration.

22

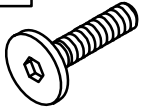


2(pcs)



STEP20: Follow below illustration.

23



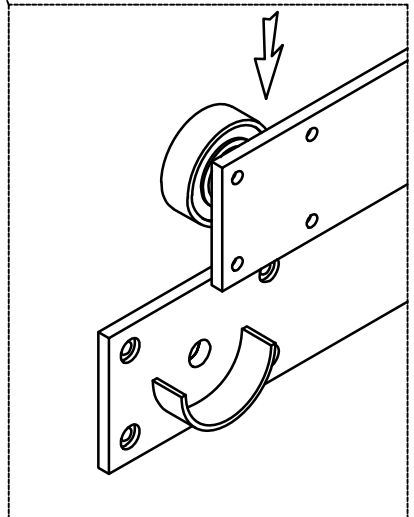
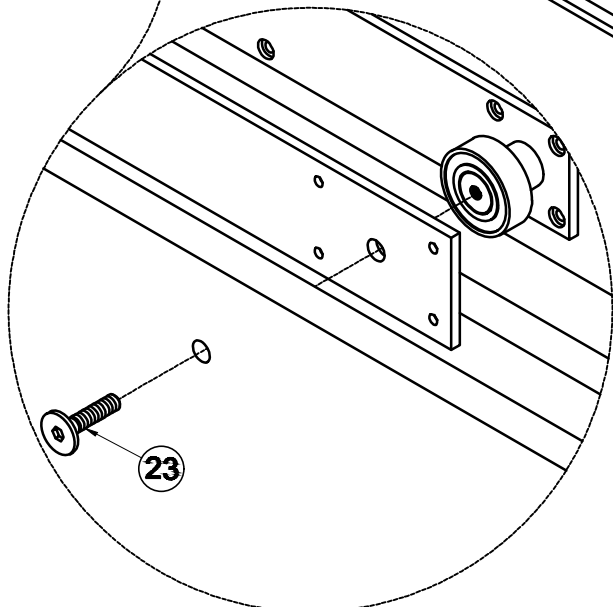
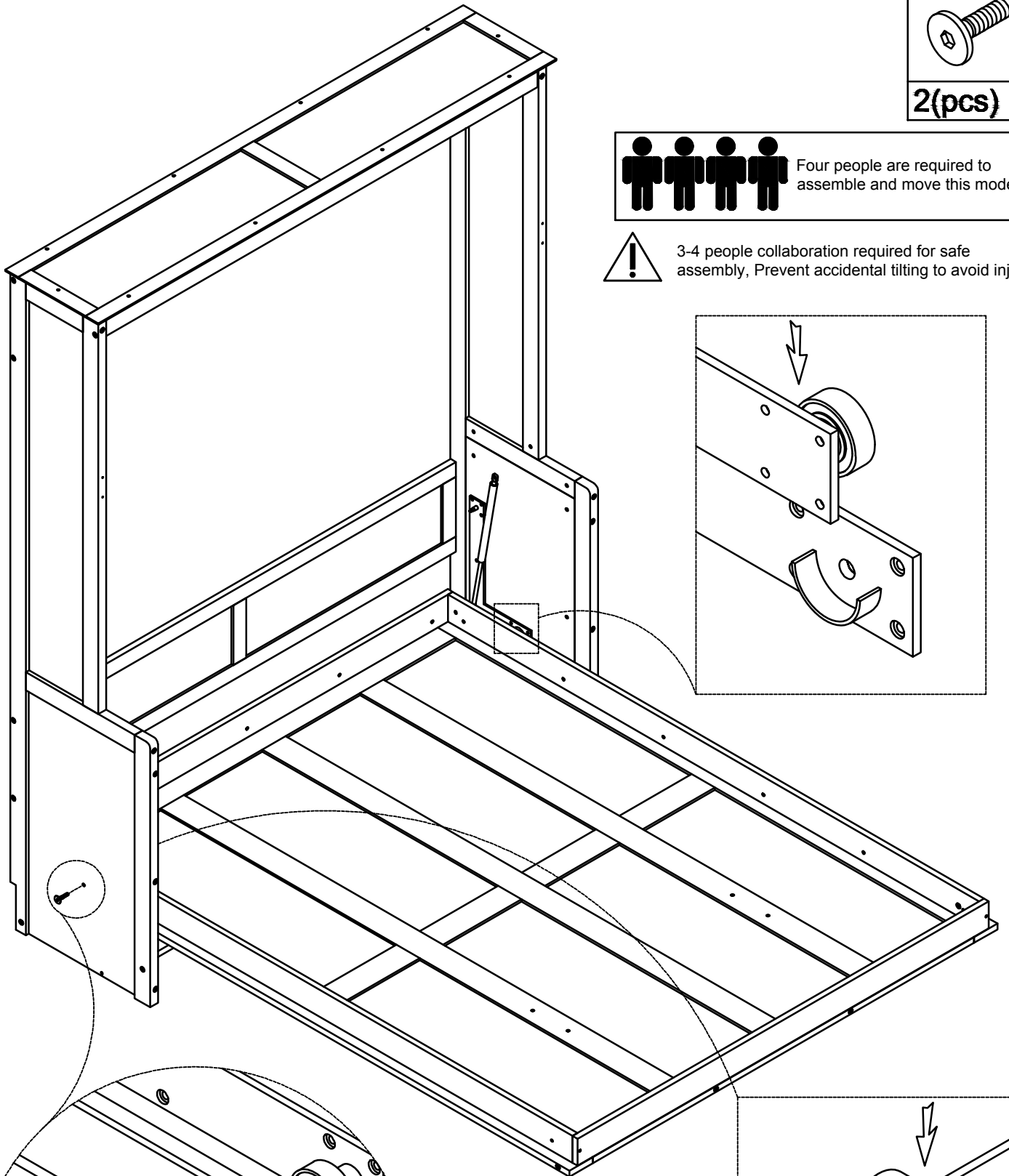
2(pcs)




Four people are required to assemble and move this model.




3-4 people collaboration required for safe assembly, Prevent accidental tilting to avoid injury.



STEP21: Follow below illustration.

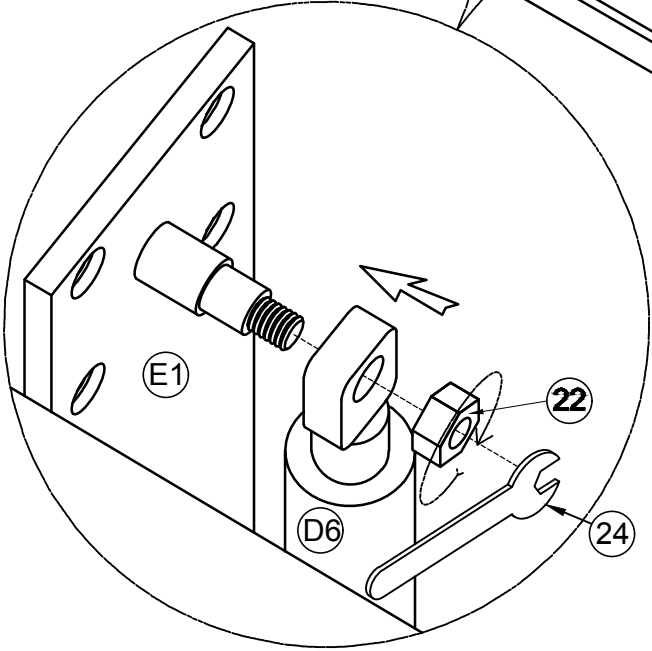
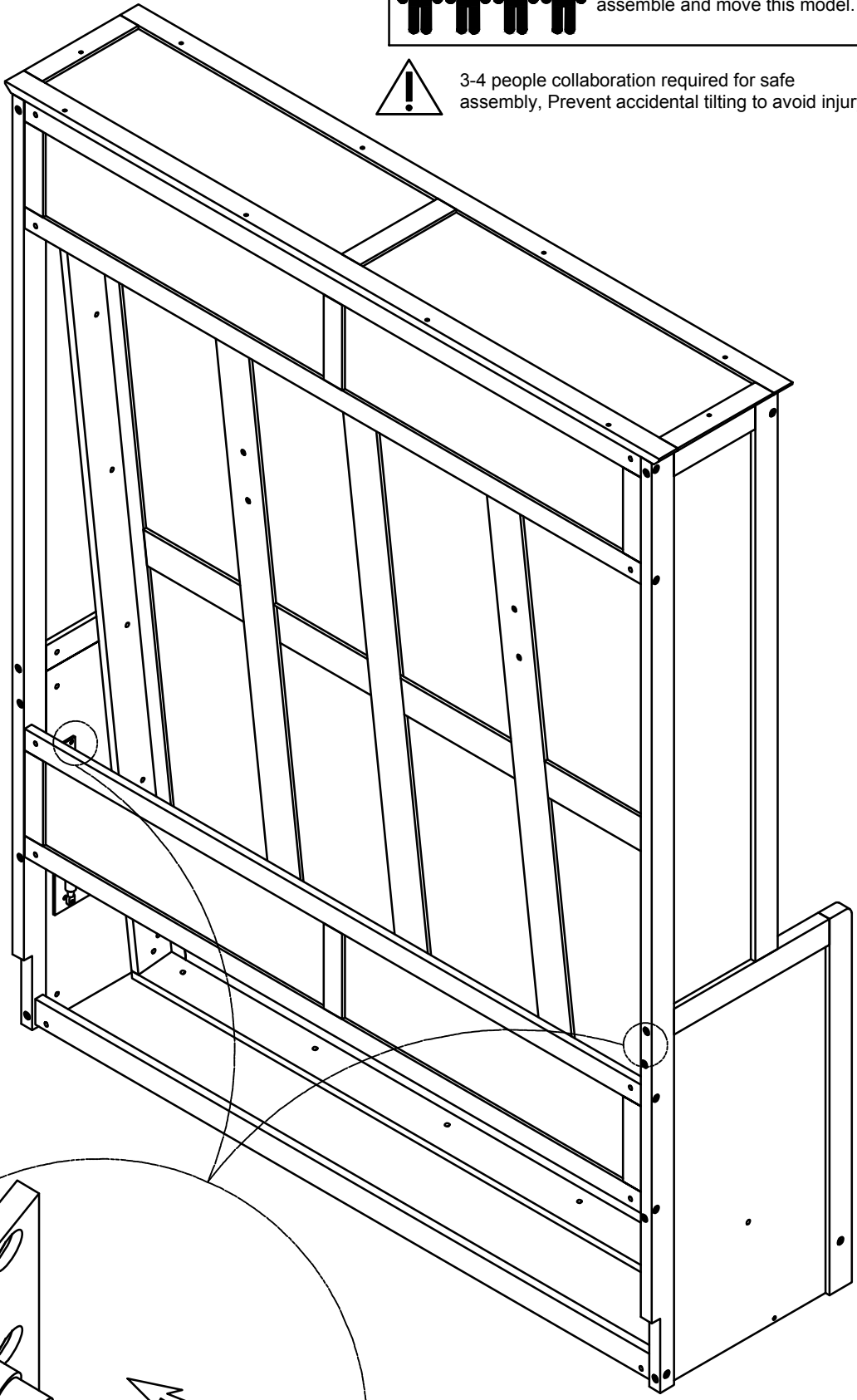
 Four people are required to assemble and move this model.

 3-4 people collaboration required for safe assembly, Prevent accidental tilting to avoid injury.

22



2(pcs)





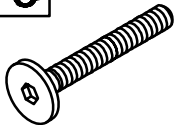
STEP22: Follow below illustration.

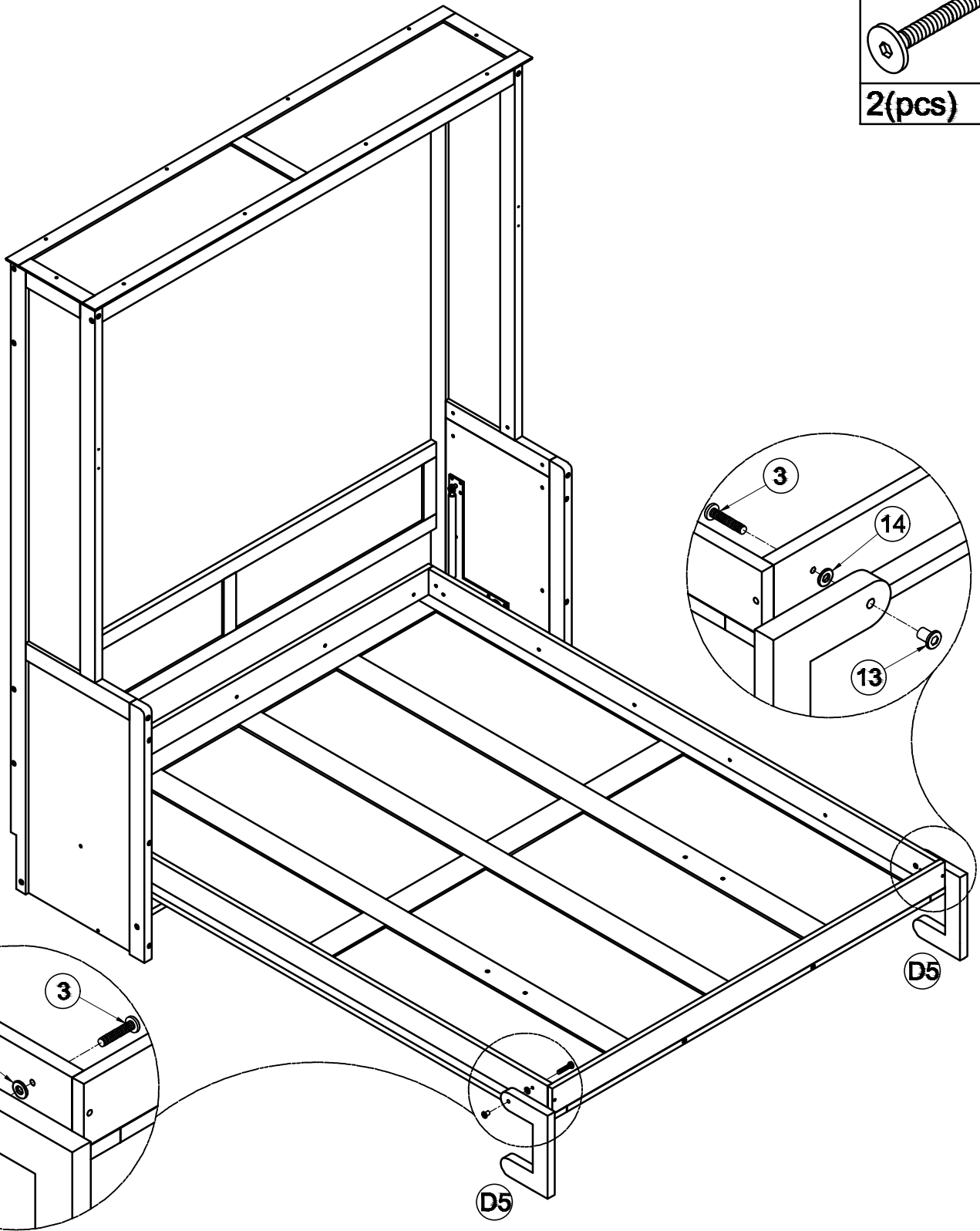


Four people are required to assemble and move this model.

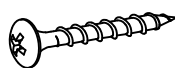



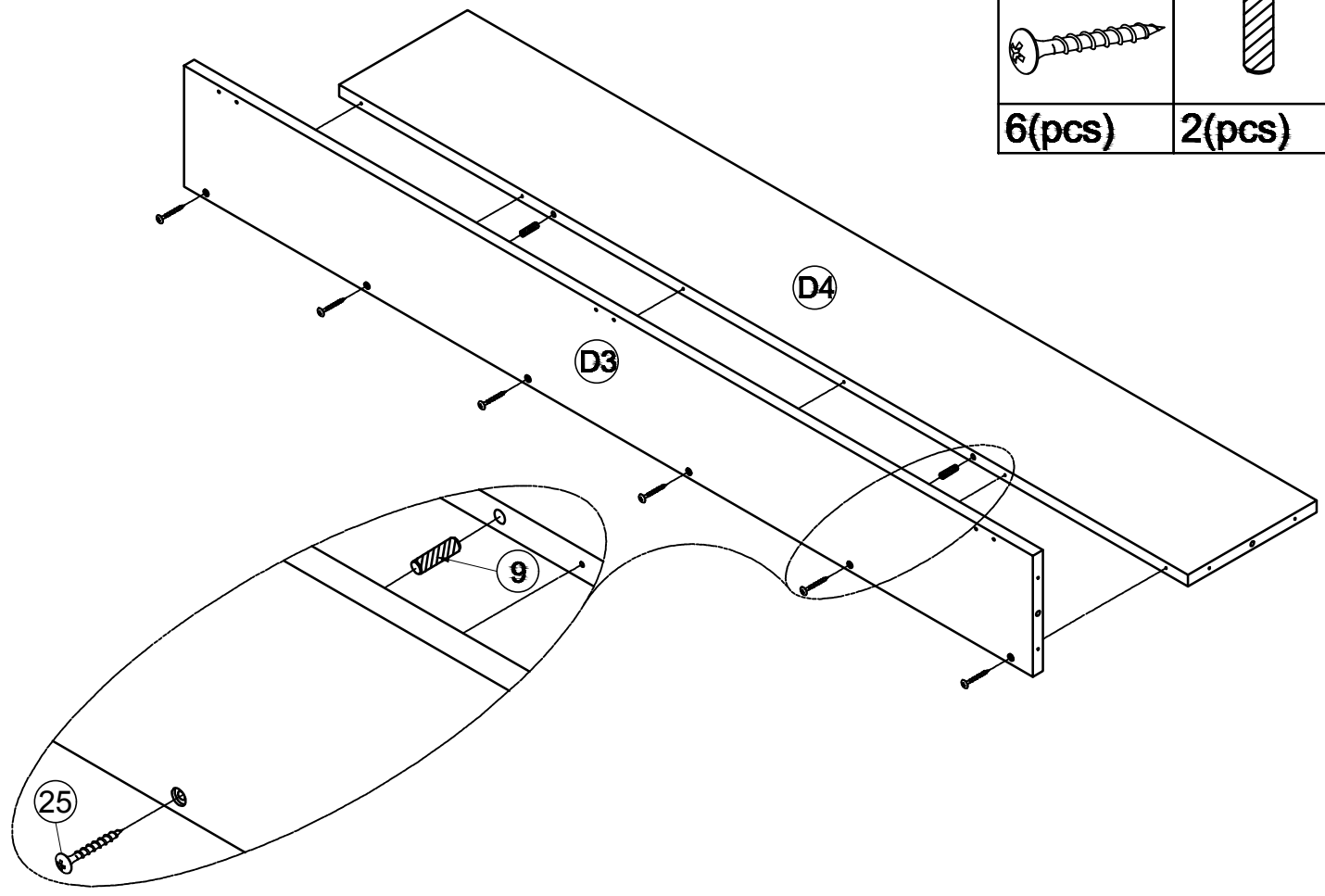
3-4 people collaboration required for safe assembly, Prevent accidental tilting to avoid injury.

14		13	
2(pcs)		2(pcs)	
		3	
		2(pcs)	

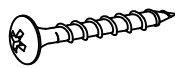



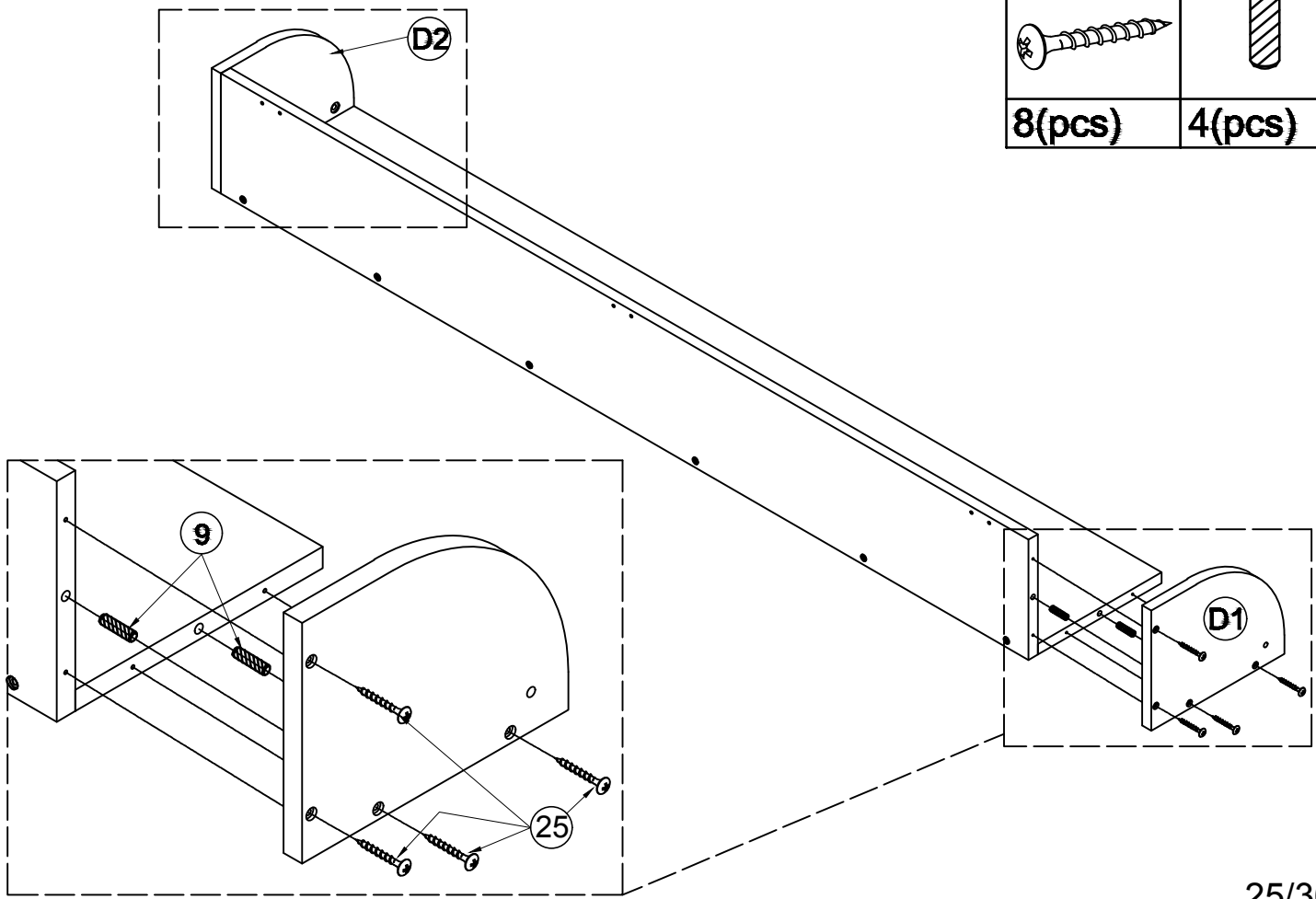
STEP23: Follow below illustration.

25	9
	
6(pcs)	2(pcs)


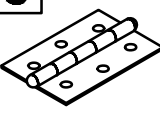


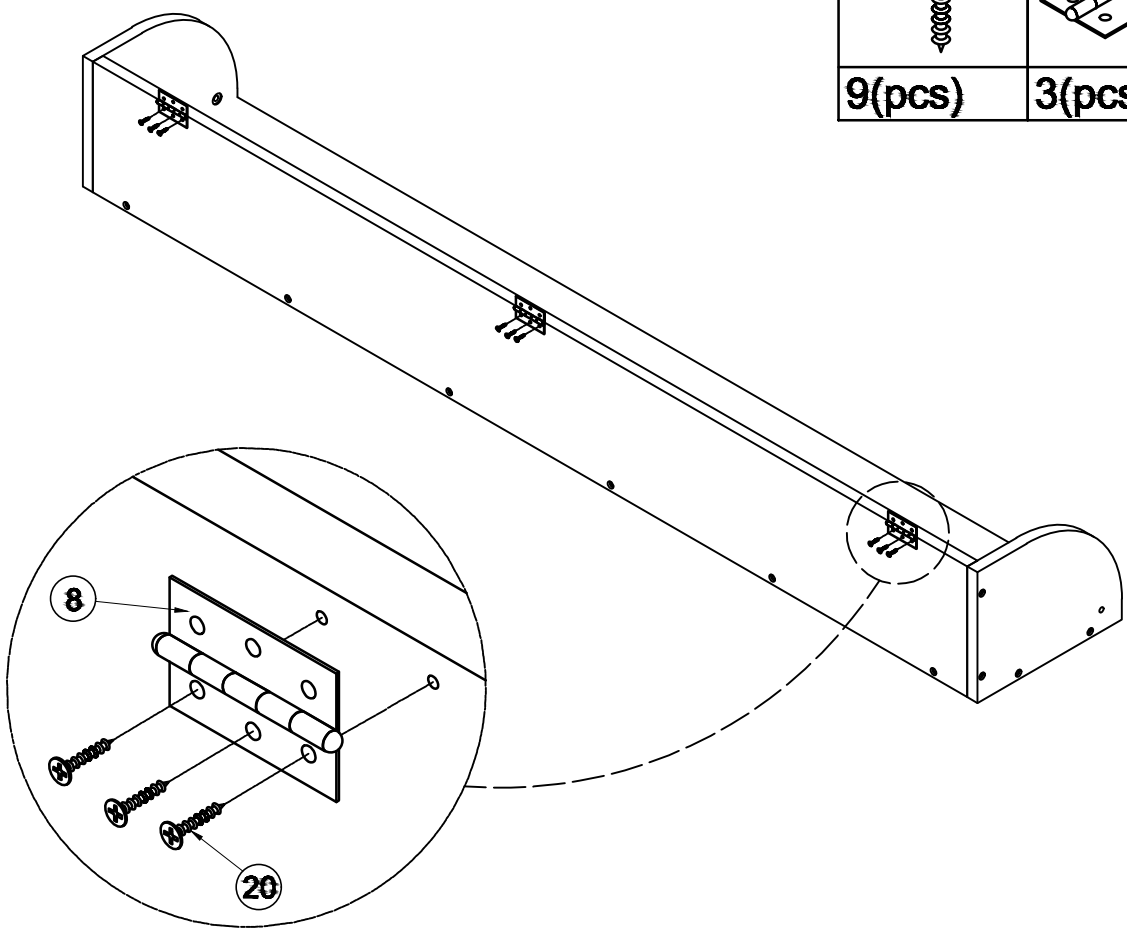
STEP24: Follow below illustration.

25	9
	
8(pcs)	4(pcs)




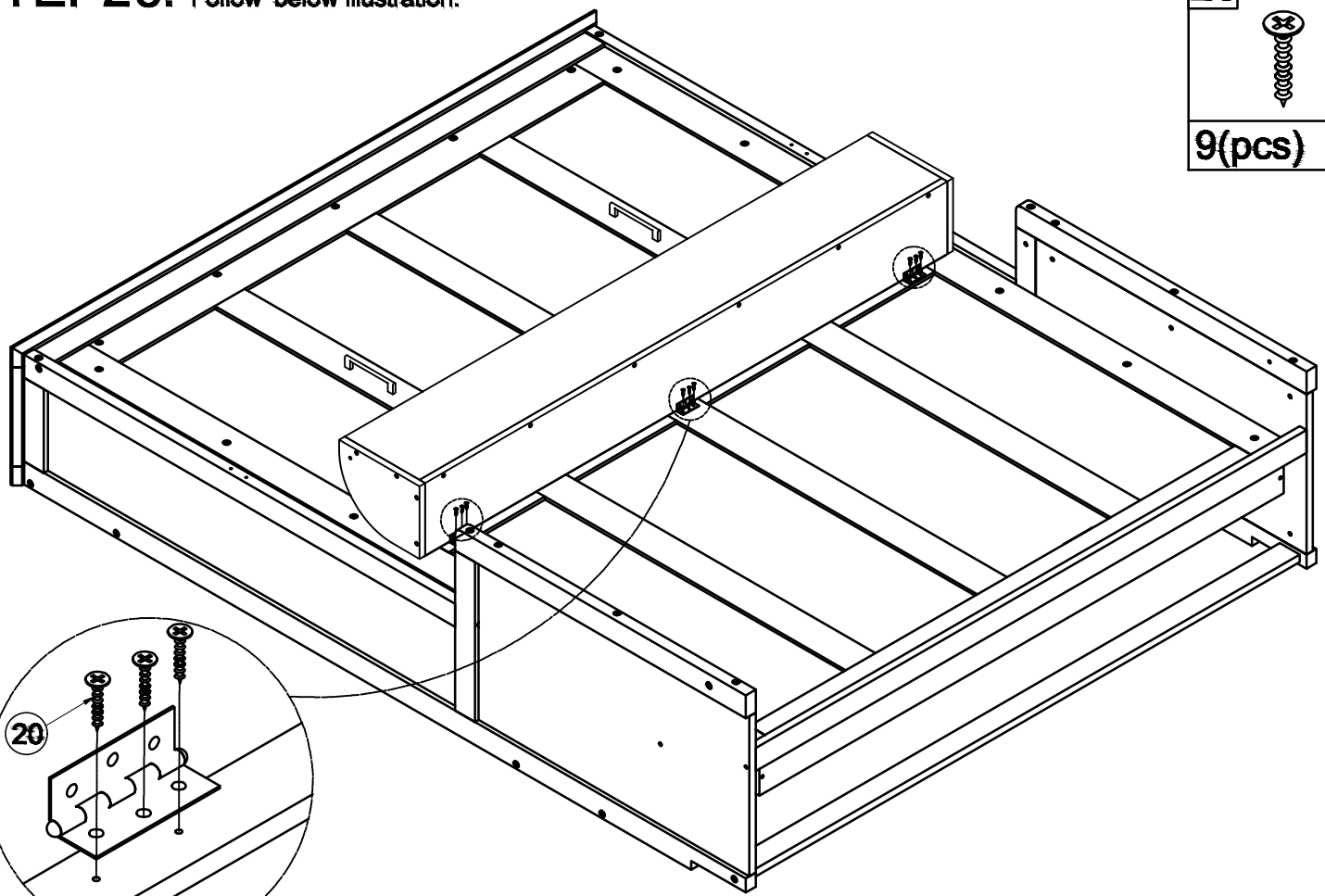
STEP25: Follow below illustration.

20	8
	
9(pcs)	3(pcs)

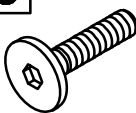

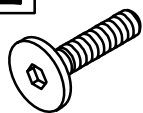



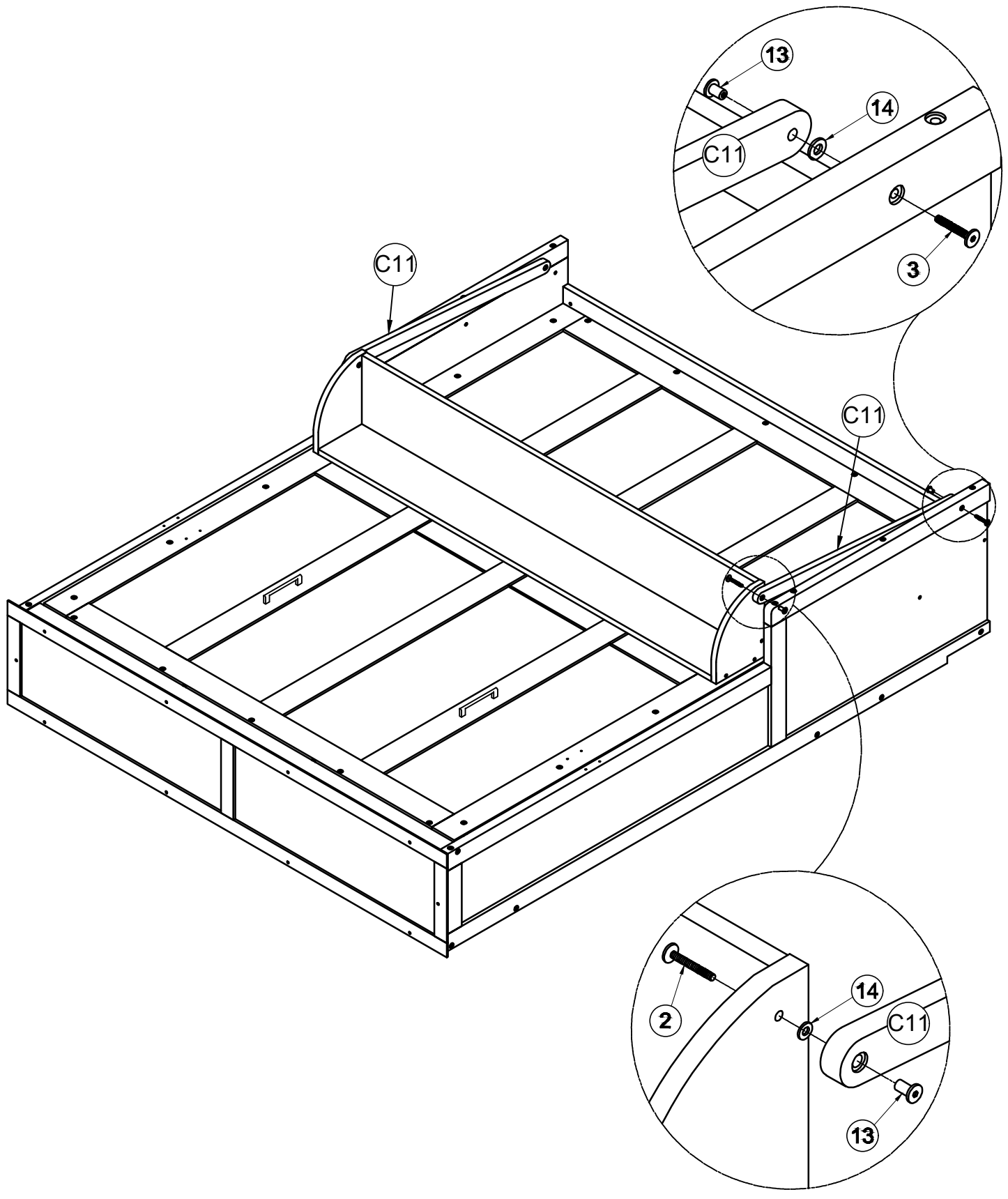
STEP26: Follow below illustration.

20

9(pcs)

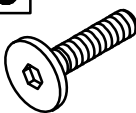

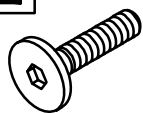



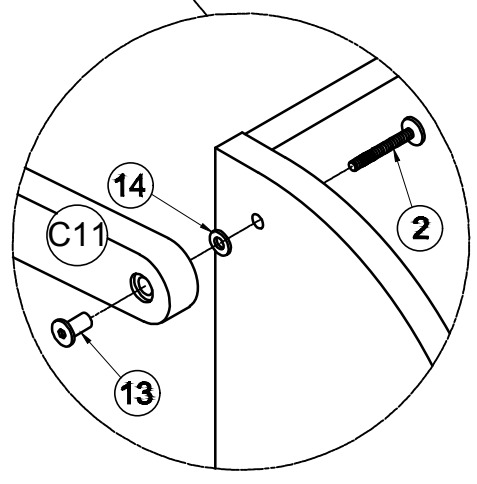
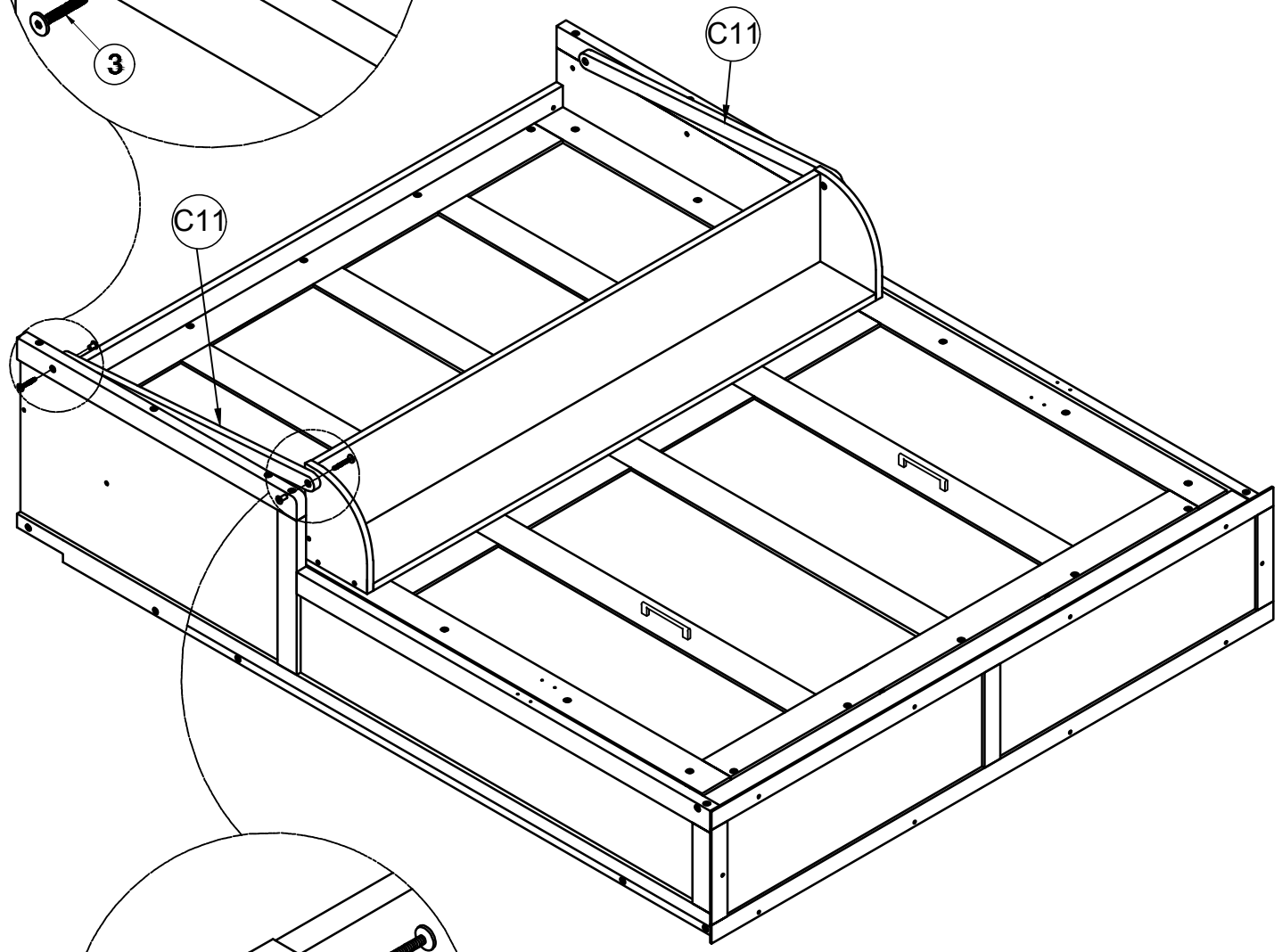
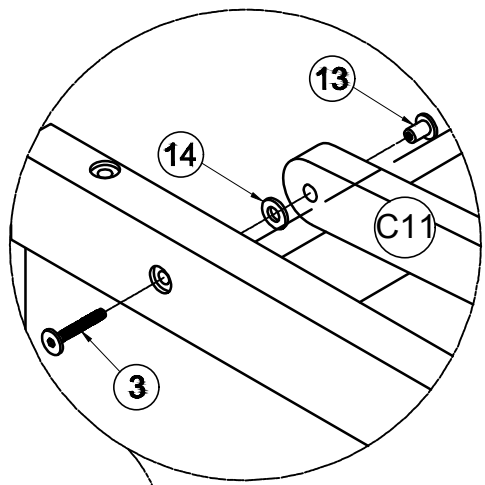
STEP27: Follow below illustration.

3 	14 	2 	13 
1(pc)	2(pcs)	1(pc)	2(pcs)



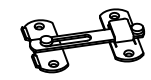

STEP28: Follow below illustration.

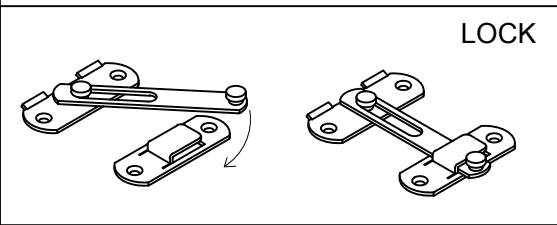
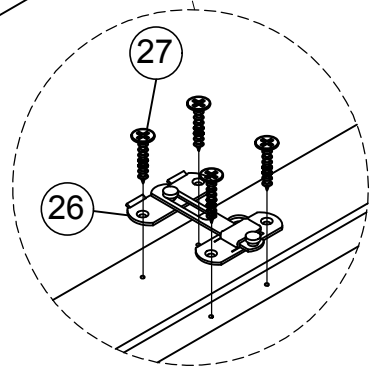
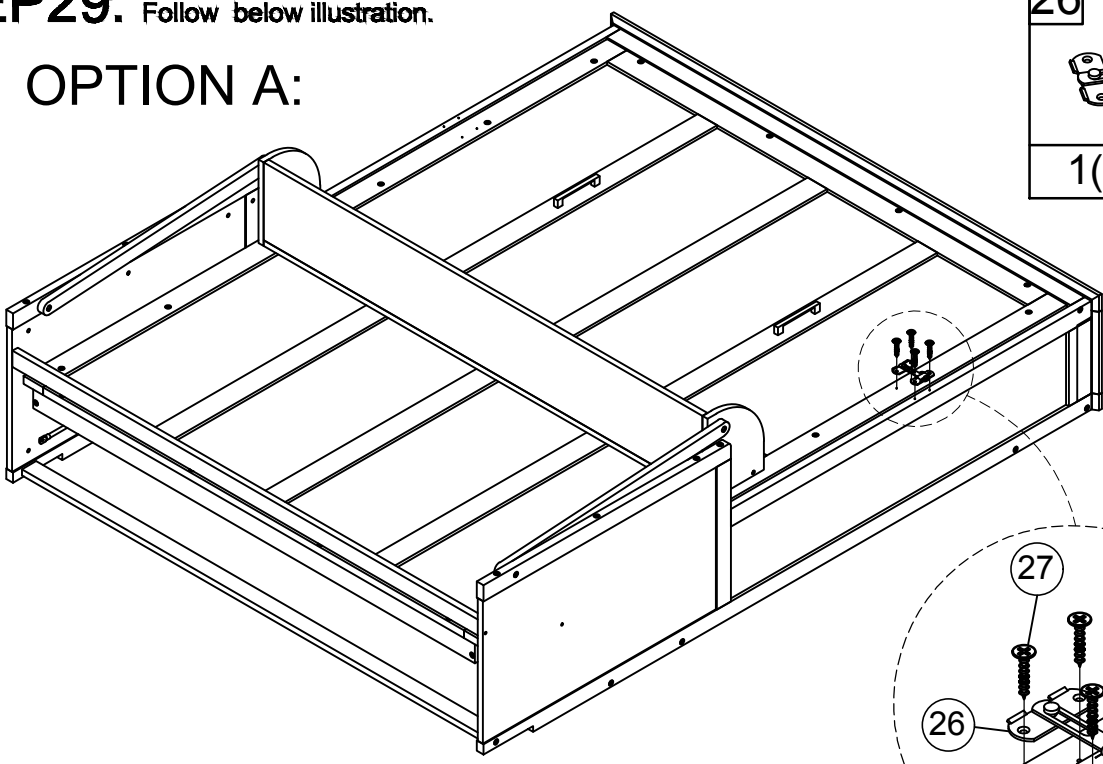
3 	14 	2 	13 
1(pc)	2(pcs)	1(pc)	2(pcs)



STEP29: Follow below illustration.

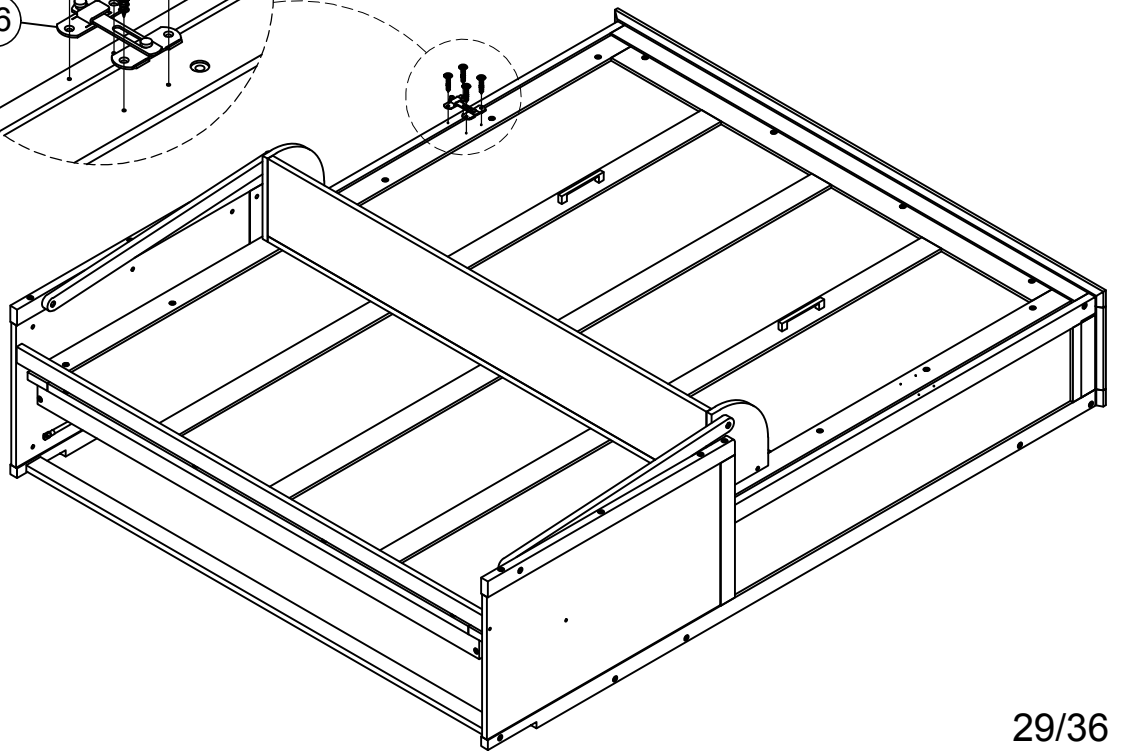
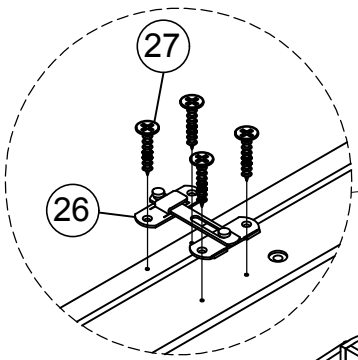
OPTION A:

26	27
	
1(set)	4(pcs)

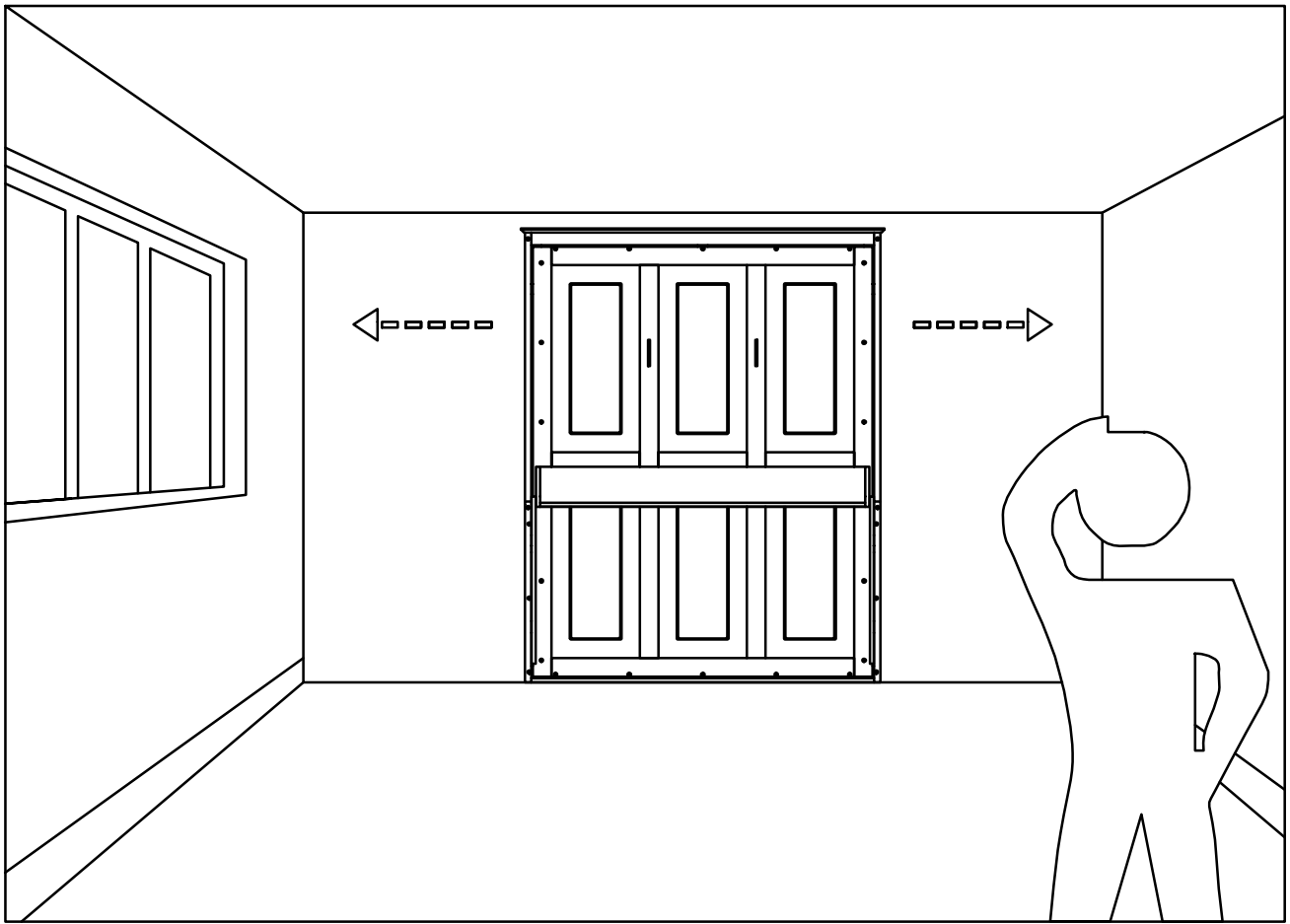


OR

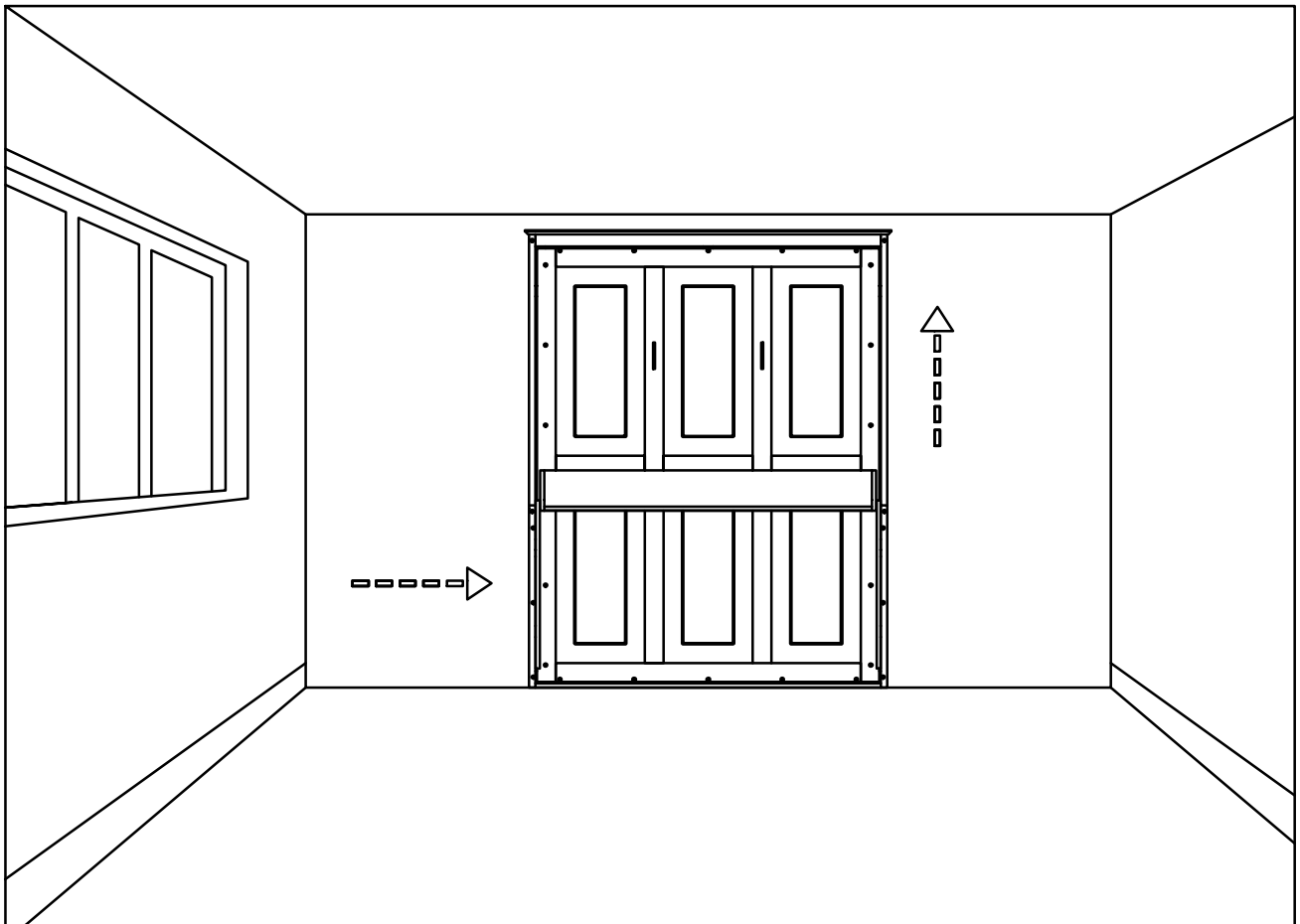
OPTION B:



1- Determine the position of the bed in the room.



2- Put the bed back in its place. Please keep it vertical and horizontal.



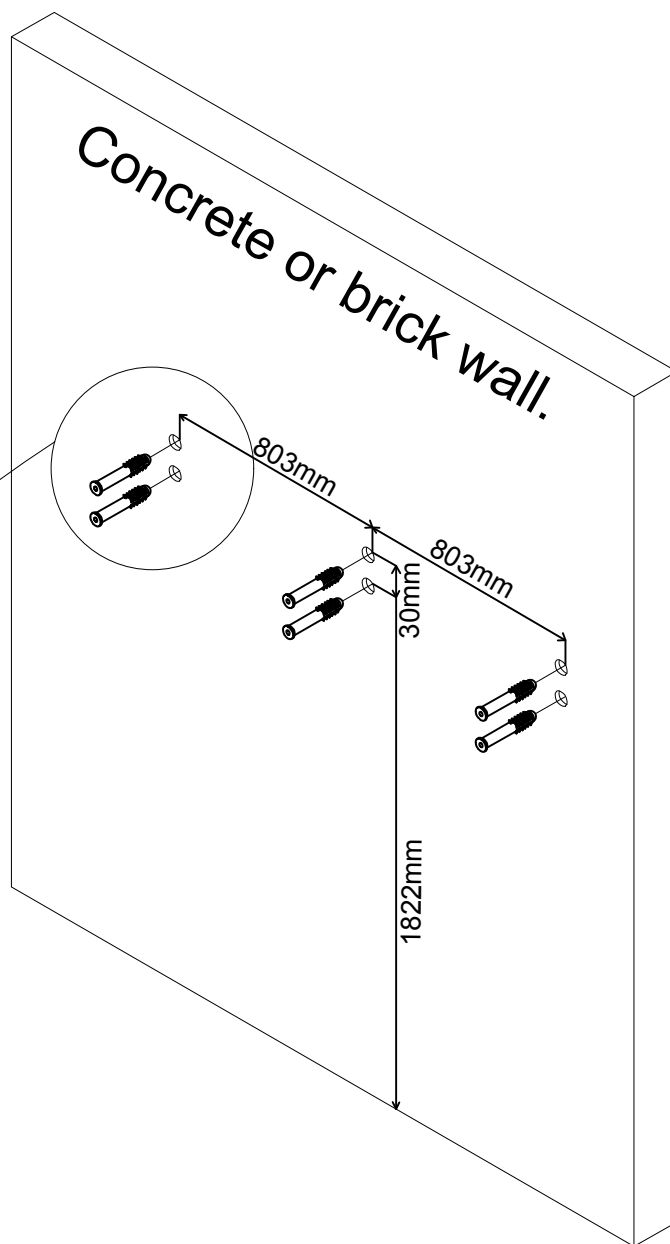
STEP 30: Follow below illustration:

Make sure that it is fixed to a concrete or brick wall, not a hollow panel wall.

1



6(pcs)

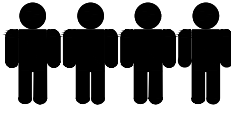



5/16" (8xD50mm)

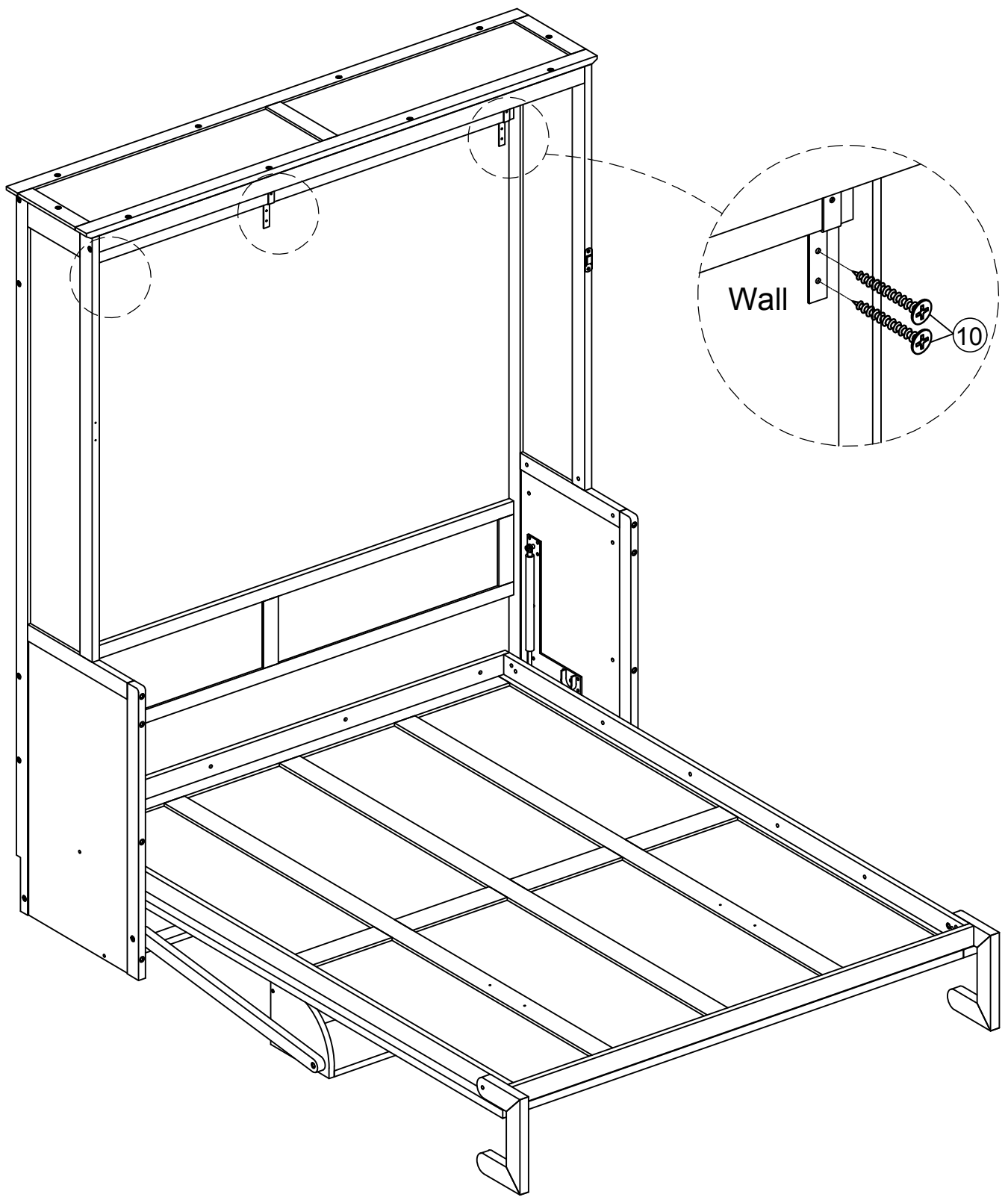
1

STEP31: Follow below illustration.

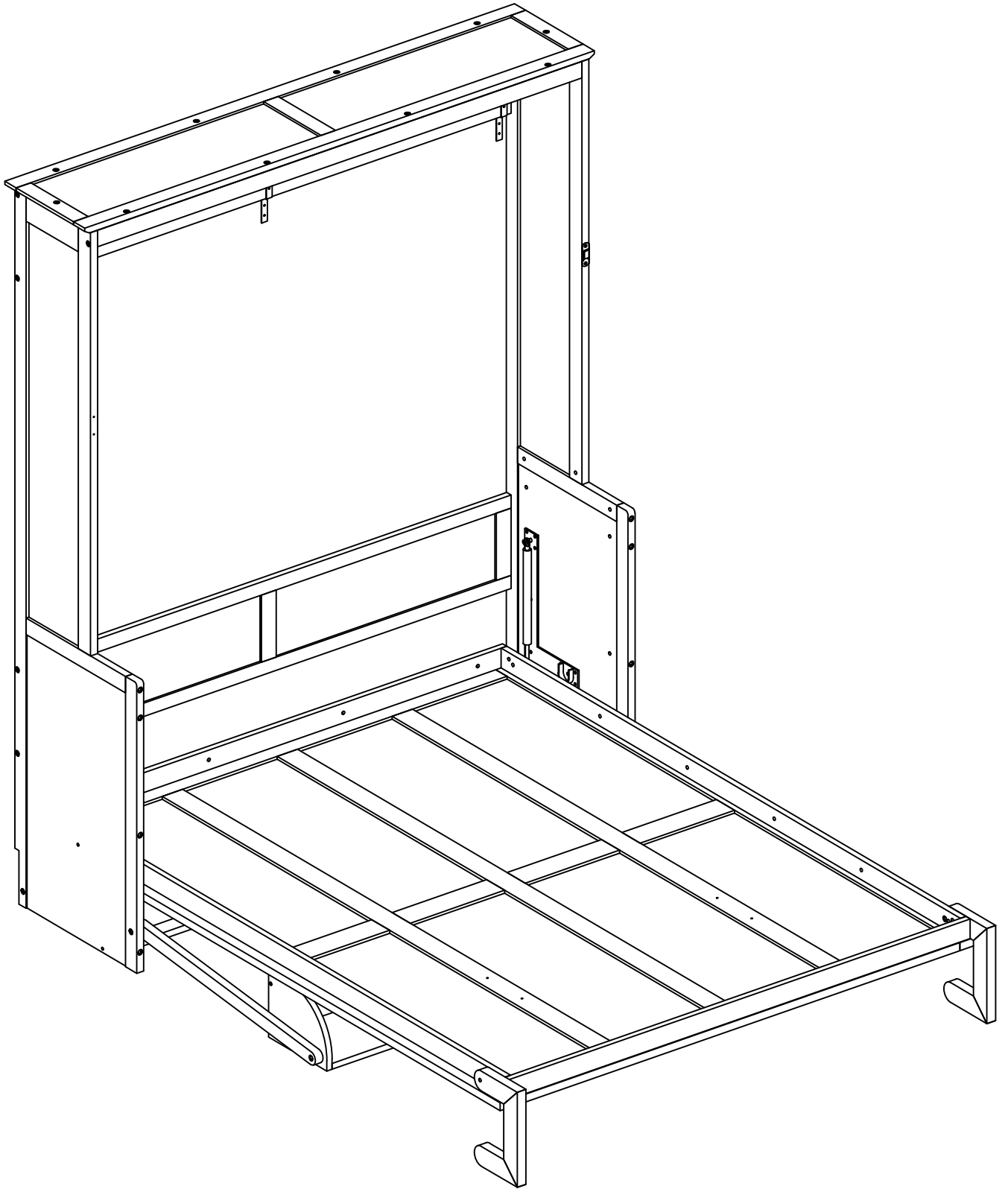
10
6(pcs)

 Four people are required to assemble and move this model.

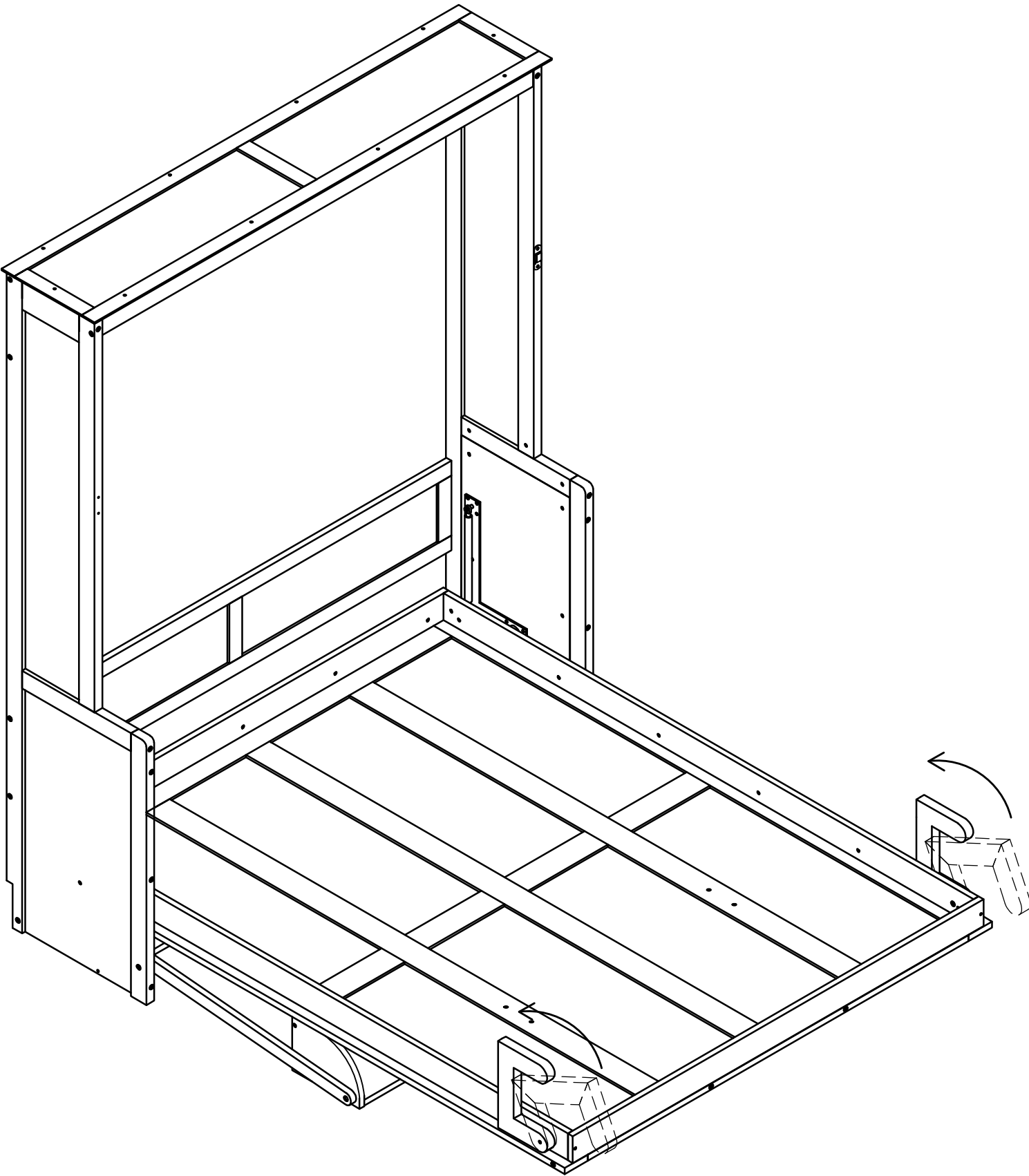
 3-4 people collaboration required for safe assembly, Prevent accidental tilting to avoid injury.



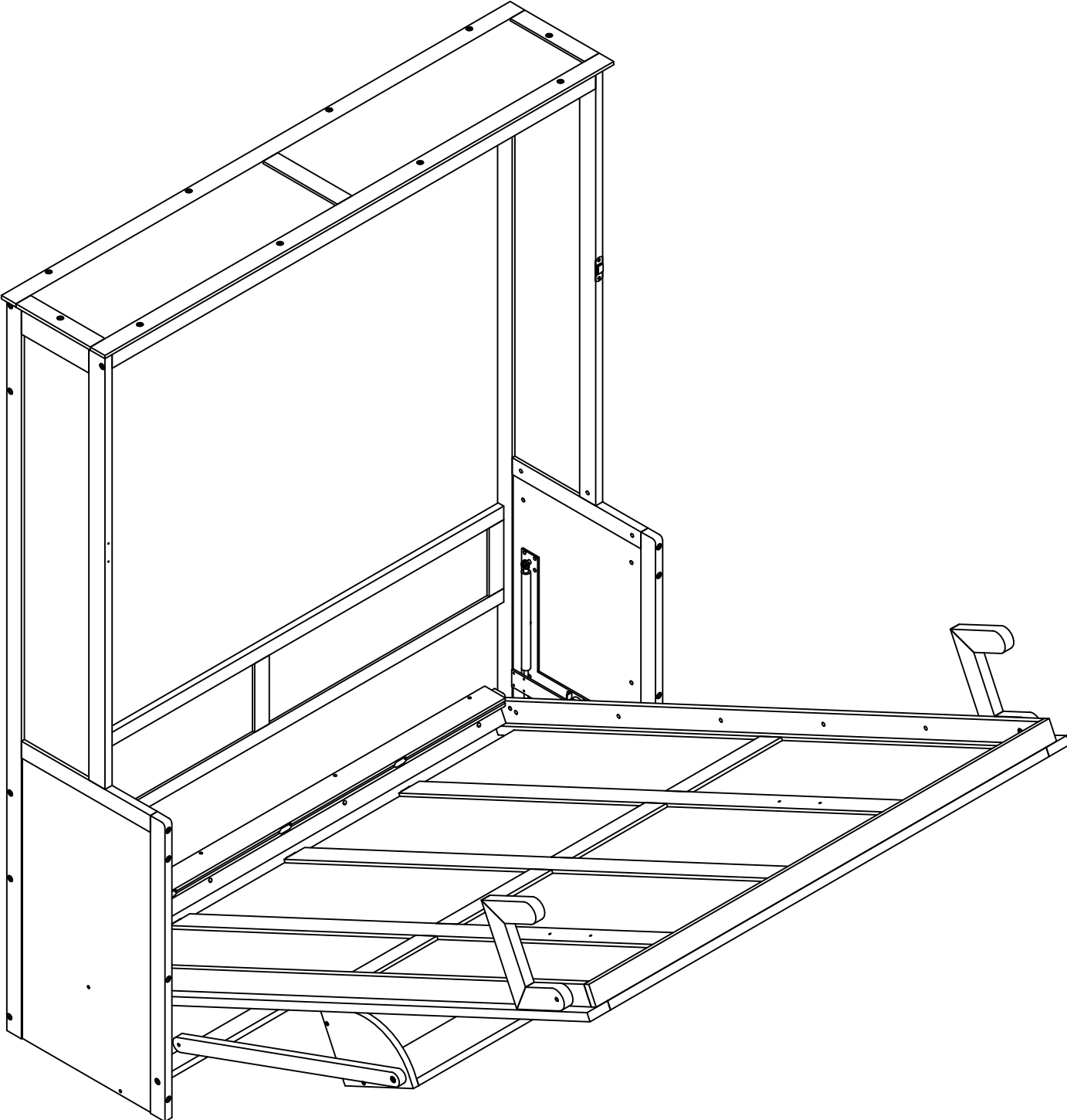
OPTION 1



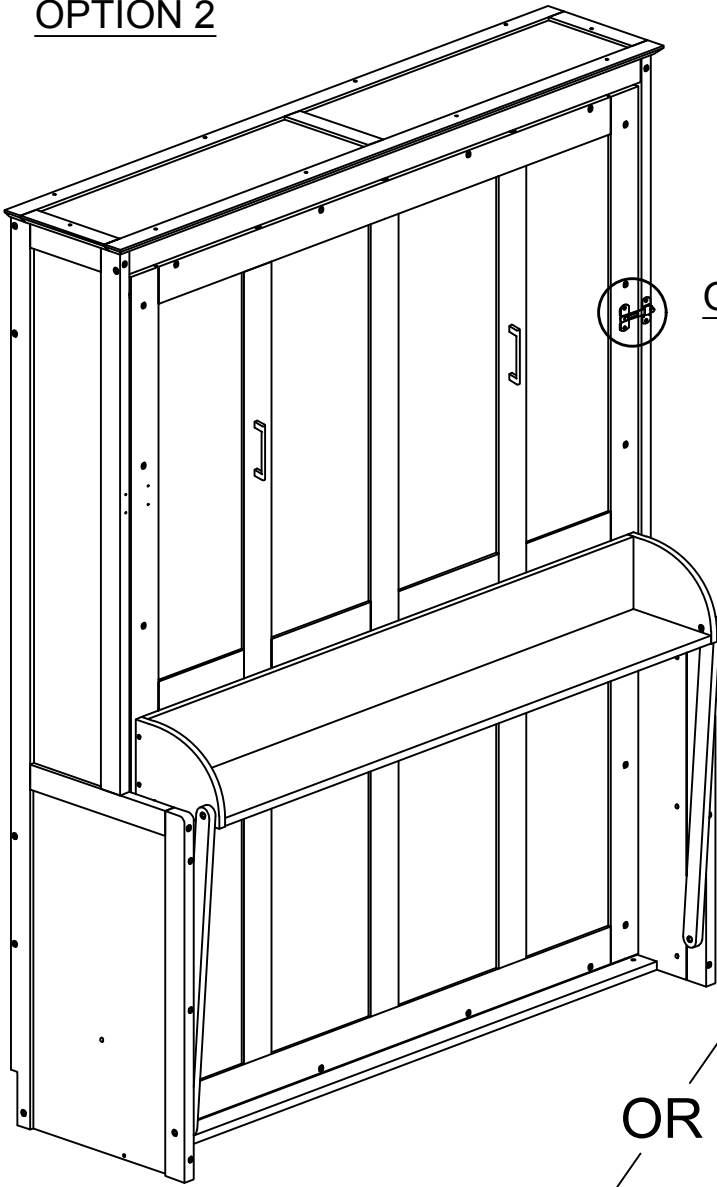
STEP 32: Follow below illustration.



STEP33: Follow below illustration.



OPTION 2



OPTION A

OR

OPTION B

