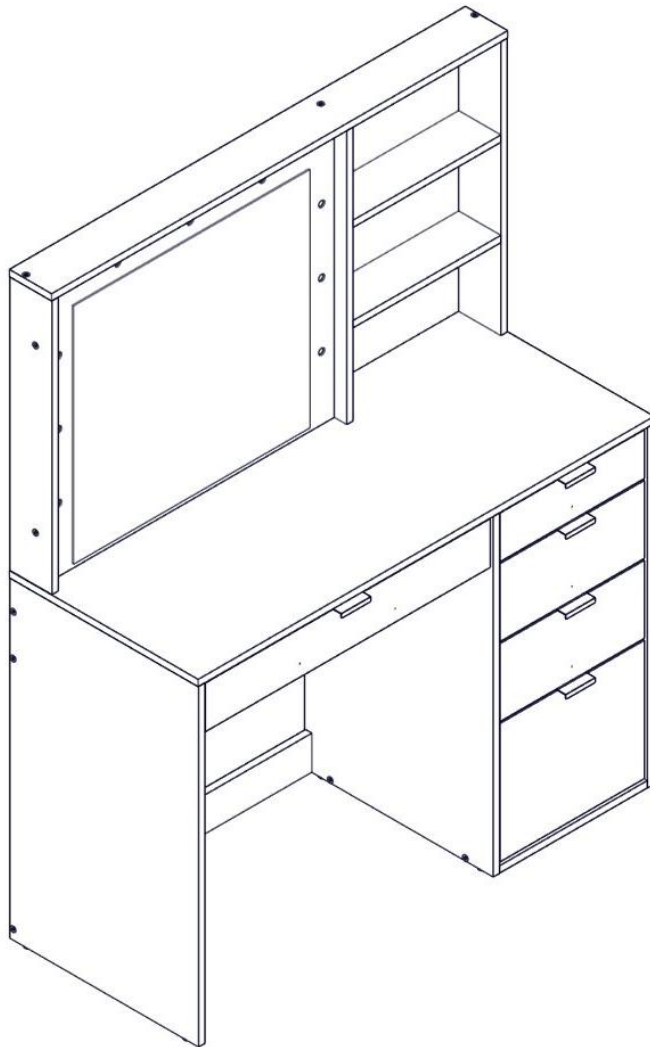


# **Assembly Instructions**

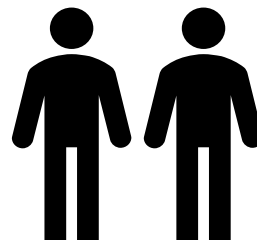
# Assembly instructions

Warning -CHOKING HAZARD - Small Parts Not for children under 3 years. Adult assembly required.



**Images for illustrative purposes only.**

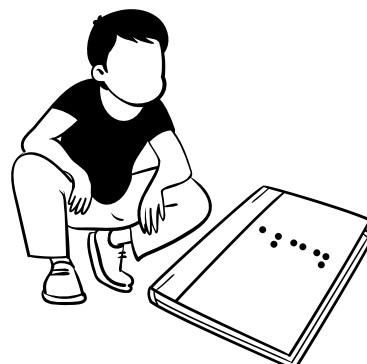
The assembly must be done by 2 people.

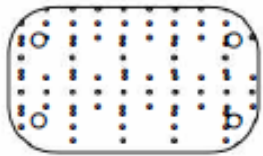


Tools needed to assemble the furniture.



Assemble the furniture on a clean, flat surface.





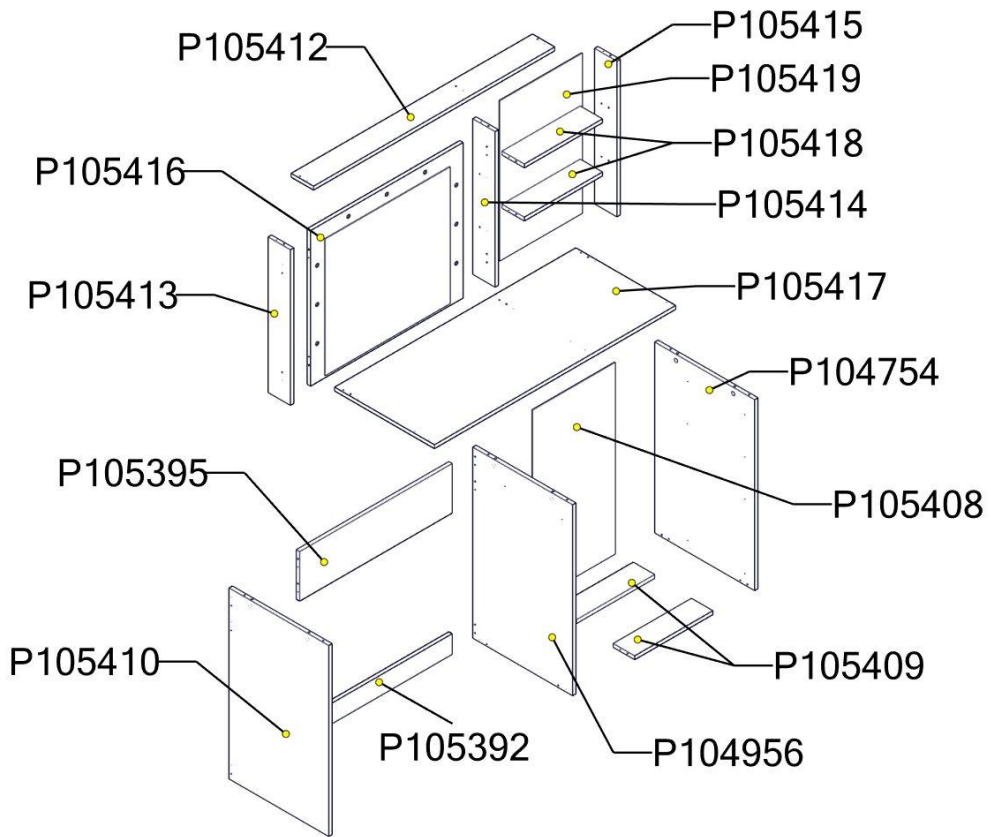
To Remove the printed number, apply a small amount of Glass Cleaner or Hand sanitizer and wipe with a paper towel.



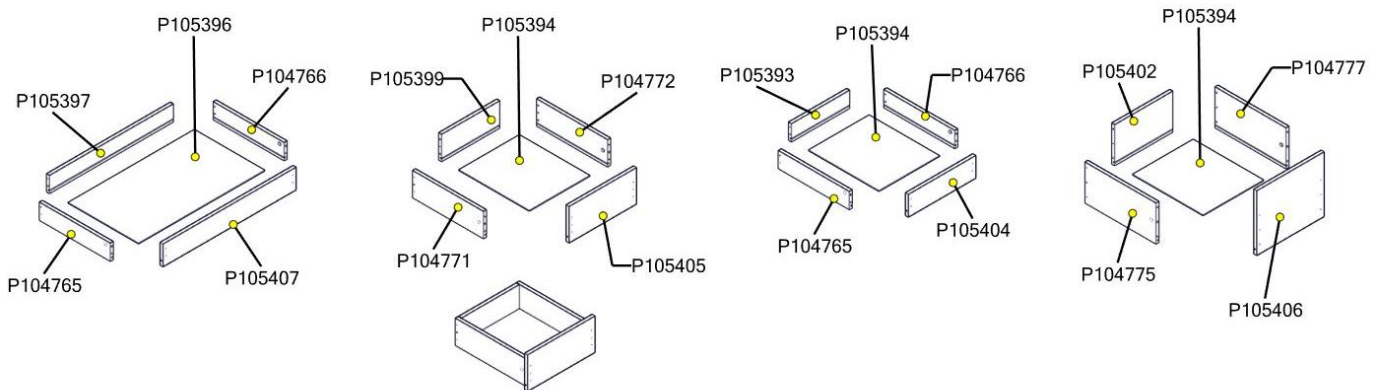
**IDENTIFICAÇÃO DAS PEÇAS / IDENTIFICACIÓN DE LAS PIEZAS PARTS  
IDENTIFICATION**

QTD.	CÓDIGO / CODE	DESCRIÇÃO (Internal production data)	Description	C x L x E	L x W x T
1	P104754	LATERAL DIREITA	RIGHT SIDE	740 x 447 x 15 mm	29.13 x 17.60 x 0.59 in
2	P104765	LATERAL DE GAVETA ESQ.	LEFT DRAWER SIDE	360 x 80 x 15 mm	14.17 x 3.15 x 0.59 in
2	P104766	LATERAL DE GAVETA DIR.	RIGHT DRAWER SIDE	360 x 80 x 15 mm	14.17 x 3.15 x 0.59 in
2	P104771	LATERAL DE GAVETA ESQ.	LEFT DRAWER SIDE	360 x 120 x 15 mm	14.17 x 4.72 x 0.59 in
2	P104772	LATERAL DE GAVETA DIR.	RIGHT DRAWER SIDE	360 x 120 x 15 mm	14.17 x 4.72 x 0.59 in
1	P104775	LATERAL DE GAVETA ESQUERDA	LEFT DRAWER SIDE	360 x 180 x 15 mm	14.17 x 7.09 x 0.59 in
1	P104777	LATERAL DE GAVETA DIREITA	DRAWER RIGH T SIDE	360 x 180 x 15 mm	14.17 x 7.09 x 0.59 in
1	P104956	DIVISÓRIA	DIVISION	740 x 447 x 15 mm	29.13 x 17.60 x 0.59 in
1	P105392	RODAPE	BASEBOARD	683 x 80 x 15 mm	26.89 x 3.15 x 0.59 in
1	P105393	CABECEIRA DE GAVETA	DRAWER HEAD	295 x 80 x 15 mm	11.61 x 3.15 x 0.59 in
4	P105394	FUNDO DE GAVETA	DRAWER BOTTOM	308 x 358 x 3 mm	12.13 x 14.09 x 0.12 in
1	P105395	REFORÇO	REINFORCEME NT	683 x 192 x 15 mm	26.89 x 7.56 x 0.59 in
1	P105396	FUNDO DE GAVETA	DRAWER BOTTOM	641 x 358 x 3 mm	25.24 x 14.09 x 0.12 in
1	P105397	CABECEIRA DE GAVETA	DRAWER HEAD	628 x 80 x 15 mm	24.72 x 3.15 x 0.59 in
2	P105399	CABECEIRA DE GAVETA	DRAWER HEAD	295 x 120 x 15 mm	11.61 x 4.72 x 0.59 in
1	P105402	CABECEIRA DE GAVETA	DRAWER HEAD	295 x 180 x 15 mm	11.61 x 7.09 x 0.59 in
1	P105404	FRENTE DE GAVETA	DRAWER FRONT	342 x 100 x 15 mm	13.46 x 3.94 x 0.59 in
2	P105405	FRENTE DE GAVETA	DRAWER FRONT	342 x 160 x 15 mm	13.46 x 6.30 x 0.59 in
1	P105406	FRENTE DE GAVETA	DRAWER FRONT	342 x 284 x 15 mm	13.46 x 11.18 x 0.59 in
1	P105407	FRENTE DE GAVETA	DRAWER FRONT	675 x 100 x 15 mm	26.57 x 3.94 x 0.59 in
1	P105408	COSTA	REAR PANEL	743 x 370 x 3 mm	29.25 x 14.57 x 0.12 in
2	P105409	RODAPE	BASEBOARD	350 x 96 x 15 mm	13.78 x 3.78 x 0.59 in
1	P105410	LATERAL ESQUERDA	LEFT SIDE	740 x 447 x 15 mm	29.13 x 17.60 x 0.59 in
1	P105412	CHAPÉU	HAT	1080 x 100 x 15 mm	42.52 x 3.94 x 0.59 in
1	P105413	LATERAL SUP. ESQUERDA	LEFT SIDE	603 x 100 x 15 mm	23.74 x 3.94 x 0.59 in
1	P105414	DIVISORIA	DIVISION	603 x 100 x 15 mm	23.74 x 3.94 x 0.59 in
1	P105415	LATERAL SUP. DIREITA	RIGHT SIDE	603 x 100 x 15 mm	23.74 x 3.94 x 0.59 in
1	P105416	PEÇA DO ESPELHO	MIRROR PART	683 x 603 x 15 mm	26.89 x 23.74 x 0.59 in
1	P105417	TAMPO	TOP	1080 x 447 x 15 mm	42.52 x 17.60 x 0.59 in
2	P105418	PRATELEIRA	SHELF	350 x 100 x 15 mm	13.78 x 3.94 x 0.59 in
1	P105419	COSTA	REAR PANEL	621 x 370 x 3 mm	24.45 x 14.57 x 0.12 in

# Mobile



# Drawers



## IDENTIFICATION OF ACCESSORIES

**NOTE: Separating the accessories before starting assembly will make it easier. In case of doubt in the identification, place the accessory on the ruler.**

	QTD.	CÓDIGO / CODE	DESCRIÇÃO	Descripción	Description
	38	000107	PREGO 10 X 10	CLAVO 10 X 10	NAIL 10 X 10
	7	000108	PREGO 12 X 12	CLAVO 12 X 12	NAIL 12 X 12
	2	001178	P.FLANGE 3,5 X 16 CAB. PHILLIPS BC	TORNILLO 3,5X16	SCREW 3,5 X 16
	4	001423	FIXADOR DE COSTA	FIJADOR DE ESPALDA	BACK FIXER
	56	001802	CAVILHAS DE MADEIRA 6X30 PINUS	TARUGO 6X30MM	DOWEL 6X30MM
	7	001901	SAPATA DESLIZADORA PRETA 15 X 6	ZAPATO 15 X 6	SHOE 15 X 6
	4	001925	CAVILHA 6 X 50MM MADEIRA	TARUGO 6 X 50MM	DOWEL 6 X 50MM
	50	004214	P.CHATO 3,5 X 14 CAB. PHILLIPS REBAIXADA ZB	TORNILLO 3,5 X 14MM	SCREW 3,5 X 14MM
	13	005256	P.CHATO 4,0 X 20 CAB. PHILLIPS ZB/BC	TORNILLO PLANO 4,0 X 20 BC	FLAT SCREW 4,0 X 20 BC
	13	018458	SUPORTE TRIANGULAR PRETO	SOPORTE TRIANGULO	TRIANGLE SUPPORT
	17	030945	PARAFUSO DE ACO P/ MINIFIX	TORNILLO DE ACERO PARA MINIFIX	STEEL SCREW FOR MINIFIX

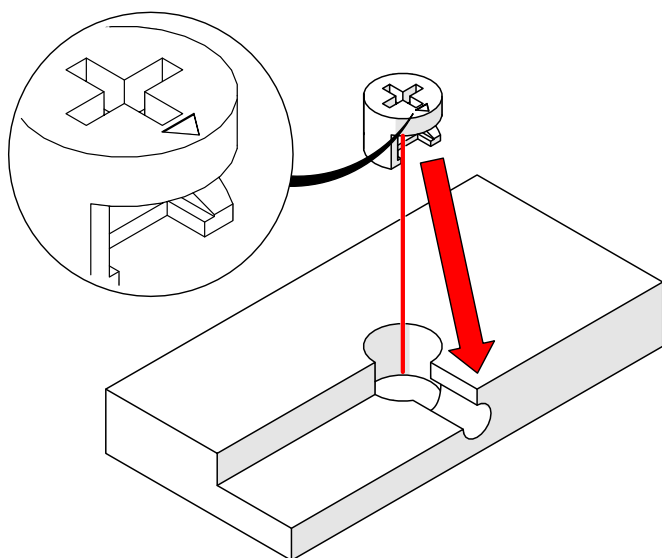
## IDENTIFICATION OF ACCESSORIES

**NOTE: Separating the accessories before starting assembly will make it easier. In case of doubt in the identification, place the accessory on the ruler.**

	17	030950	TAMBOR P/ MINIFIX 15MM ZAMAQ	CILINDRO 15MM	BARREL 15MM
	2	032069	BUCHA PARA GESSO	CASQUILLO DE FIJACION PARA YESO	FIXING BUSHING FOR PLASTER
	2	051980	P.CHATO 4,5 X 50 BC	P.CHATO 4,5 X 50 BC	P.CHATO 4,5 X 50 BC
	2	055606	SUP. P/ FIXACAO DE PAREDE (EUA)	SOPORTE DE FIJACIÓN	FIXATION SUPPORT
	1	055607	ABRACADEIRA NYLON 300 MM	ABRACADEIRA NYLON 300 MM	NYLON CLAMP 300 MM
	1	055660	ESPELHO 560 X 530 X 3MM	ESPEJO 560 X 530 X 3MM	MIRROR 560 X 530 X 3MM
	1	058788	CHAVE ALLEN Z 3X40MM	LLAVE ALLEN	ALLEN WRENCH
	5	PX	PUX. STILE ALFA 70MM	TIRADOR DE PUERTA 70MM	DOOR HANDLE 70MM
	34	075515	P. ESTRUTURAL 5 X 40 CAB. 13 ALLEN 3 C/PONTA ZB/BC	TORNILLO 5 X 40	SCREW 5 X 40
	5	CRM350	CORREDICA 350MM	SISTEMA DE CAJONES DESILZANTES	SLIDING DRAWER SYSTEM
	20	13MM	TAPA FURO 13MM	TAPA DEL AGUJERO 13MM	SCREW CAP COVER 13MM
	16	19MM	TAPA FURO 19MM	TAPA DEL AGUJERO 19MM	SCREW CAP COVER 19MM

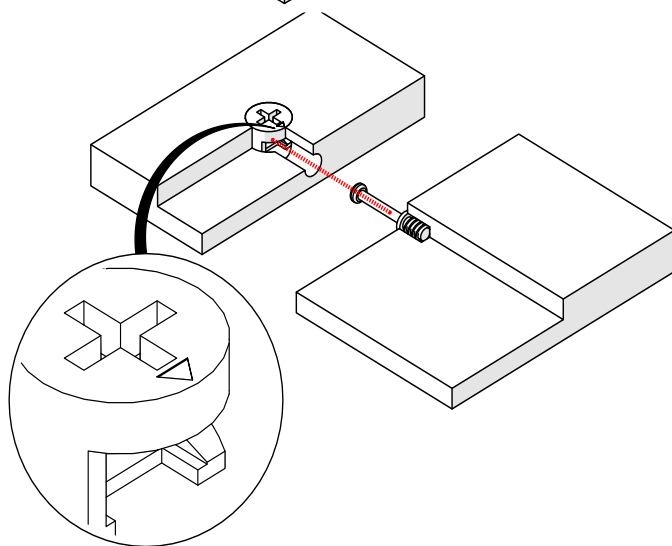
### INSTALLING CAM

Identify arrow on head of cam. Arrow MUST point toward hole in edge of panel. Push cam all the way down into hole.



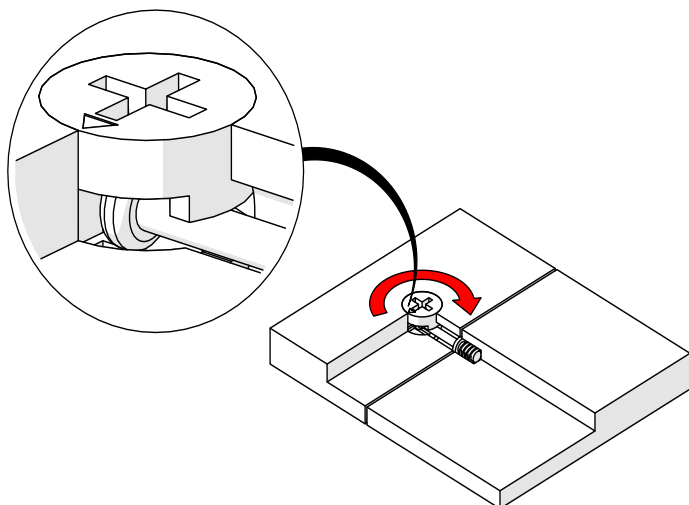
### CAM AND DOWEL ALIGNMENT

Ensure the arrow on the cam points toward hole and insert cam dowel into hole. Make sure pieces join together.

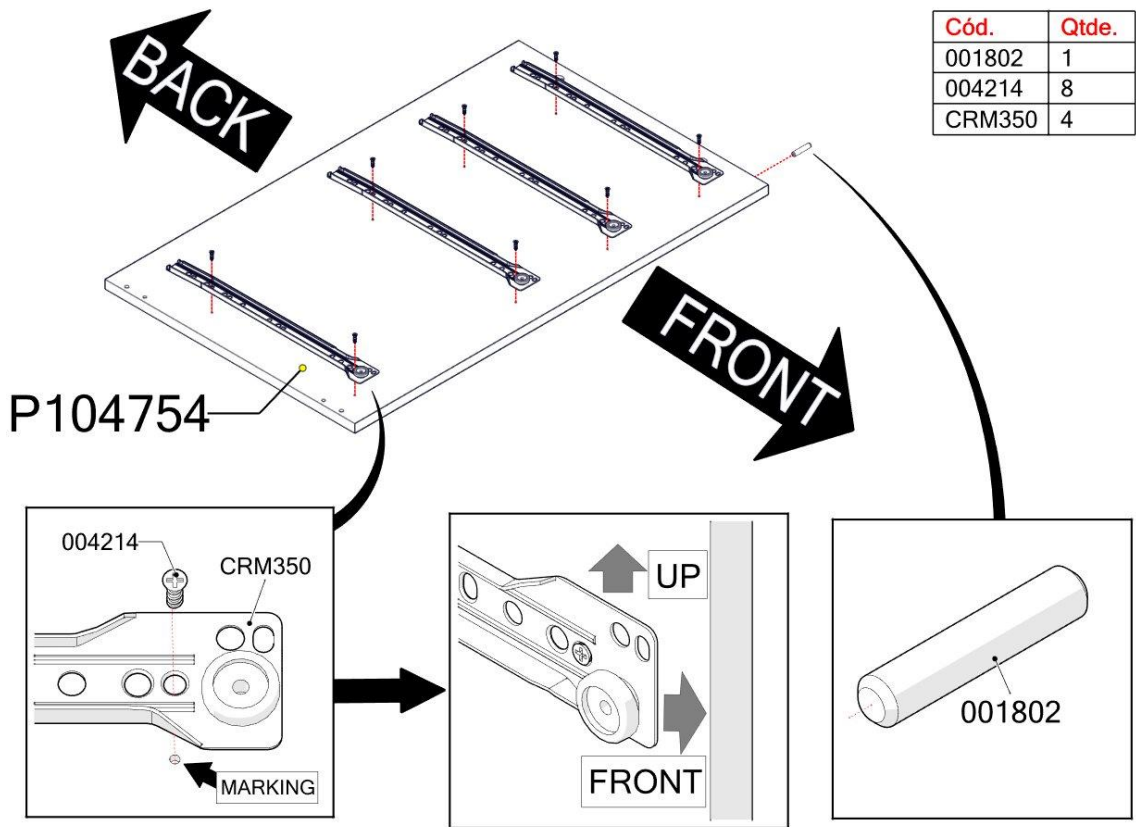


### TIGHTENING CAM

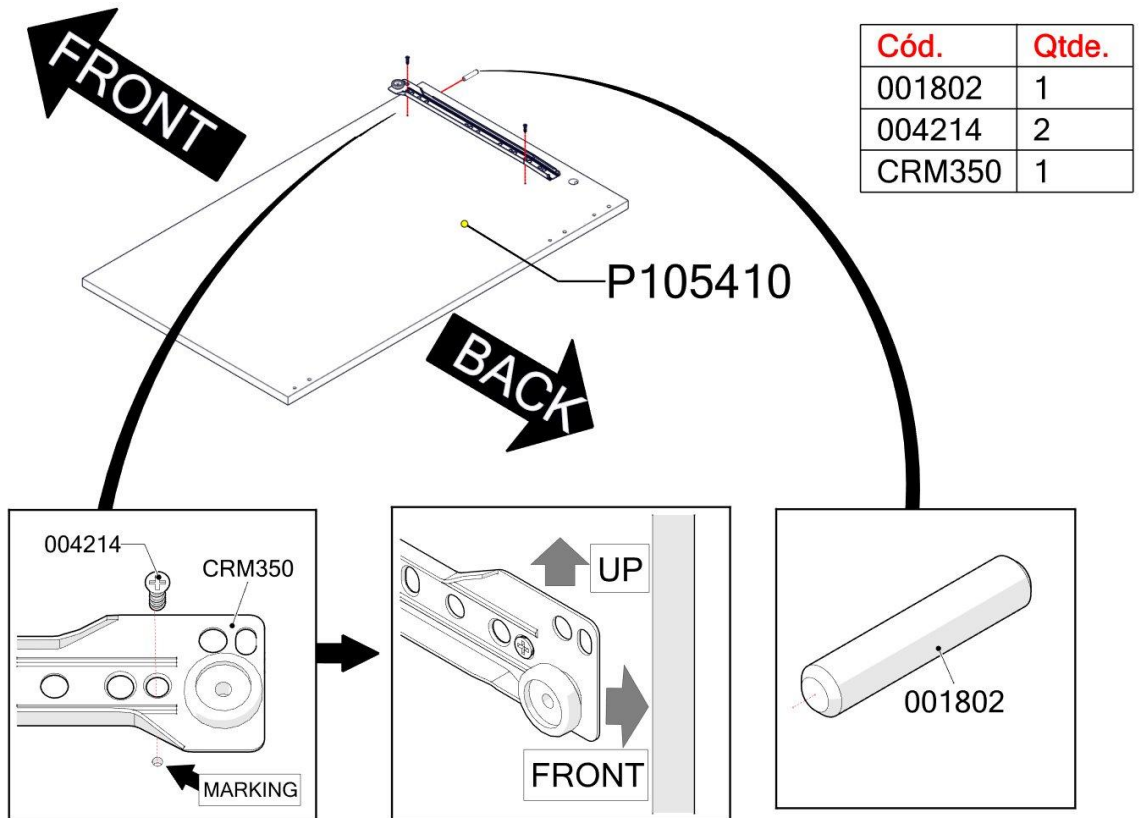
Use screwdriver to turn cam. Turn cam (clockwise) until fully tightened. Slightly more than half a turn.



# STEP 1

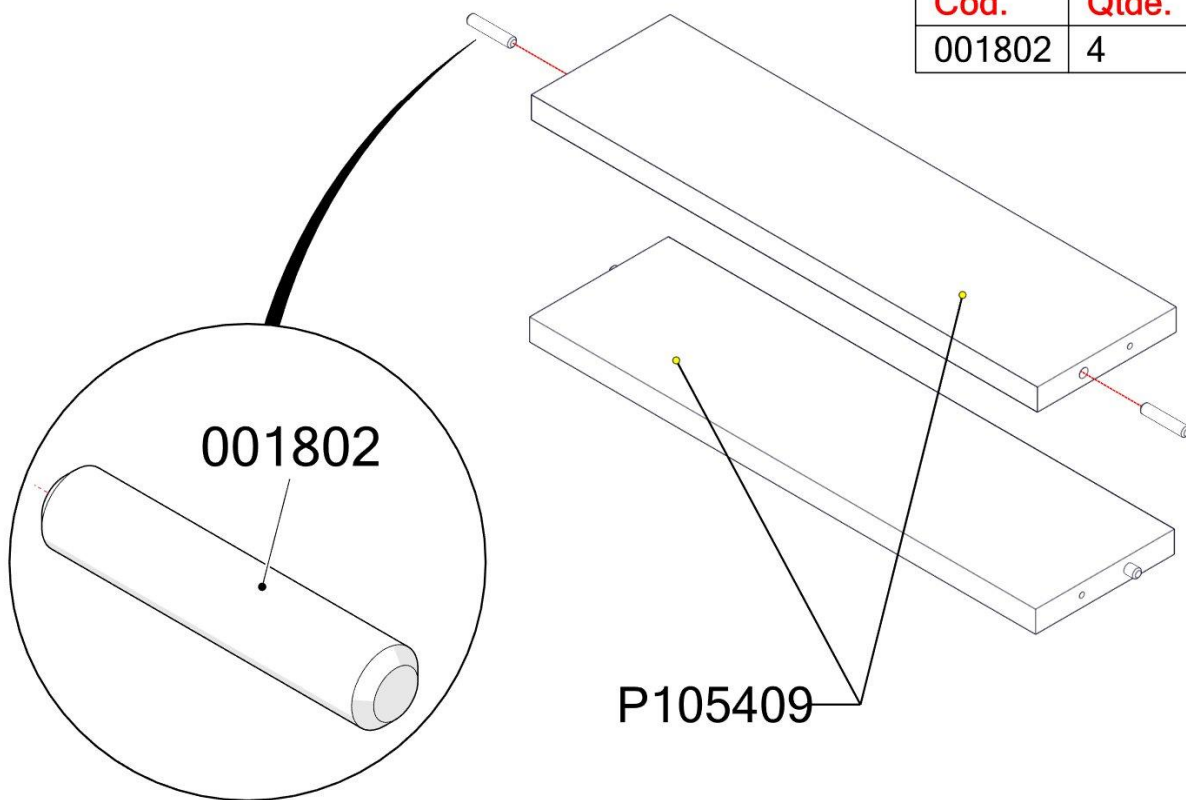


# STEP 2



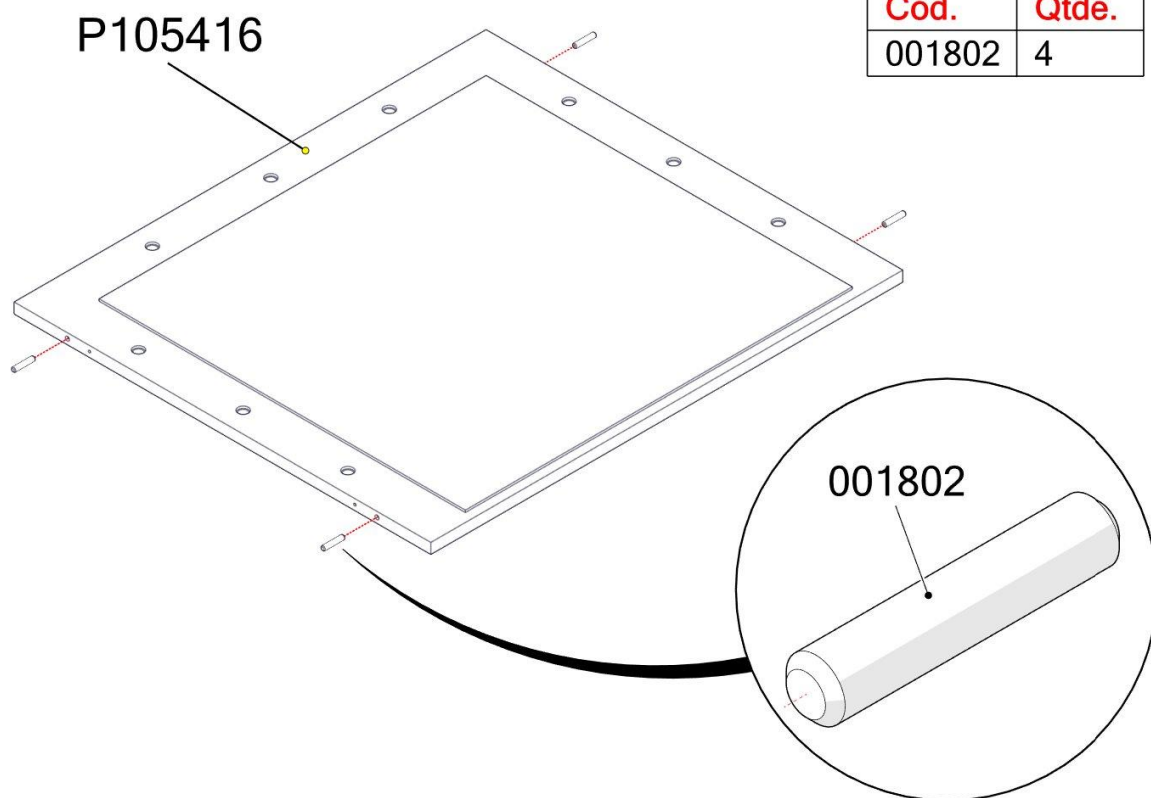
### STEP 3

Cód.	Qtde.
001802	4



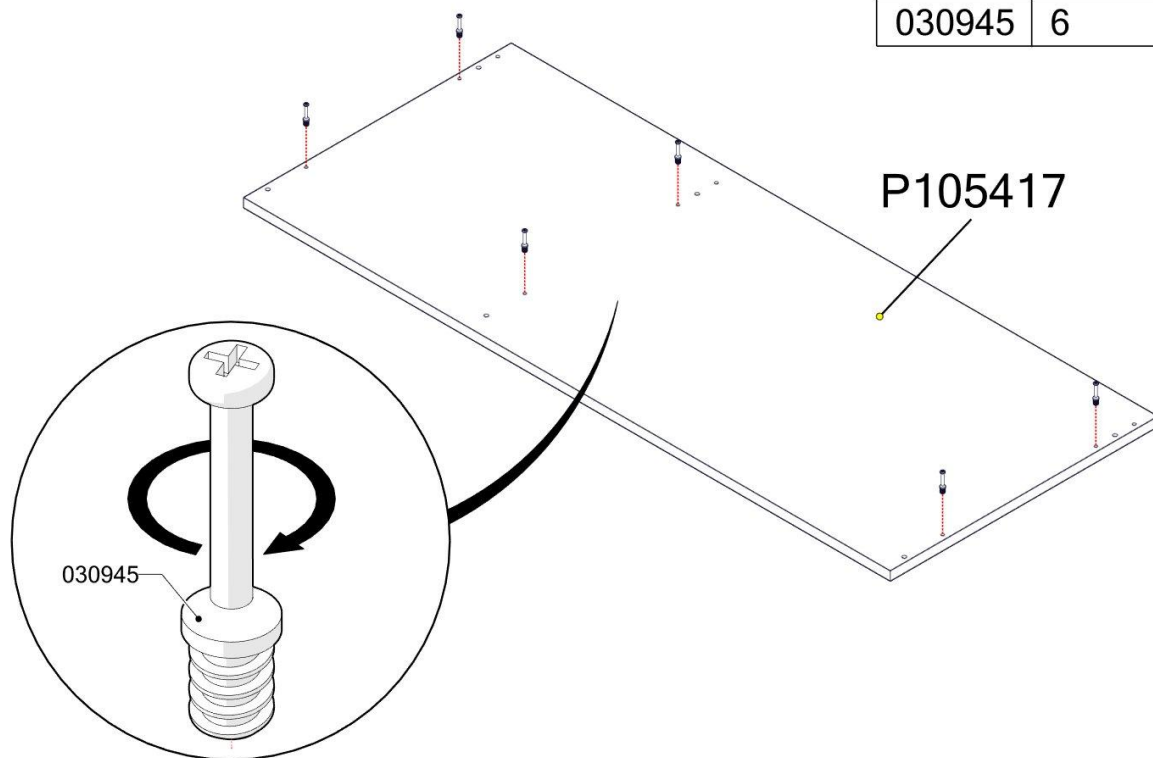
### STEP 4

Cód.	Qtde.
001802	4



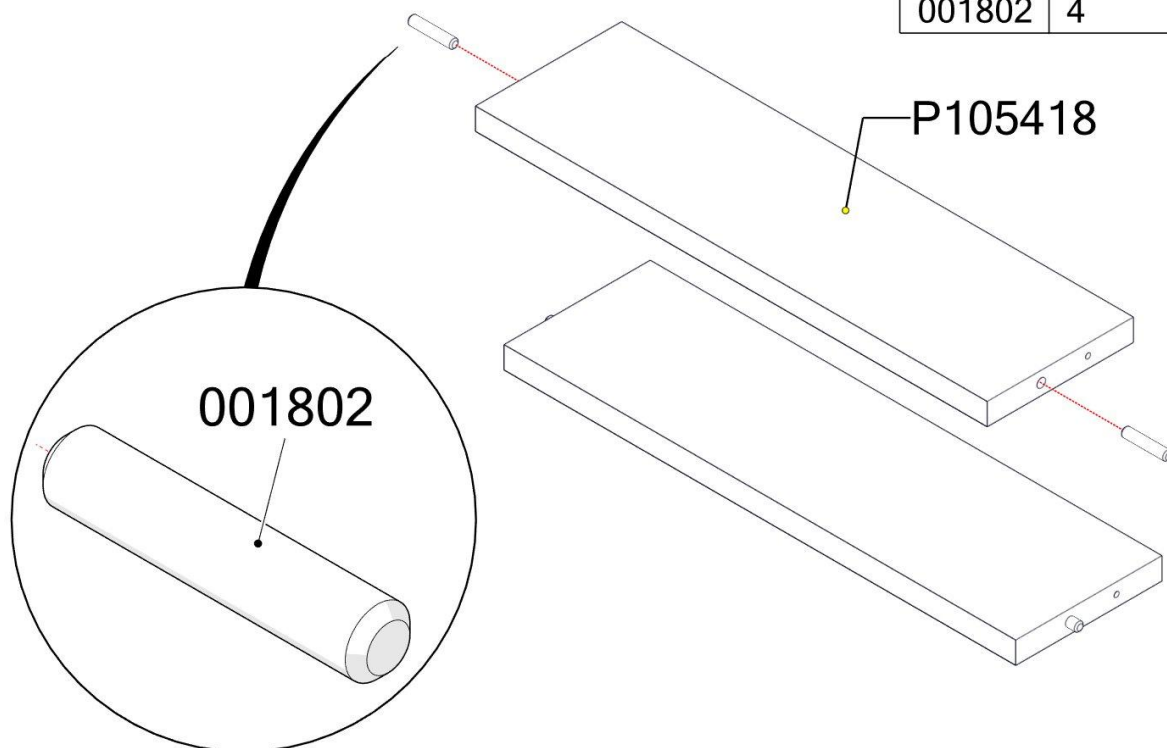
## STEP 5

Cód.	Qtde.
030945	6



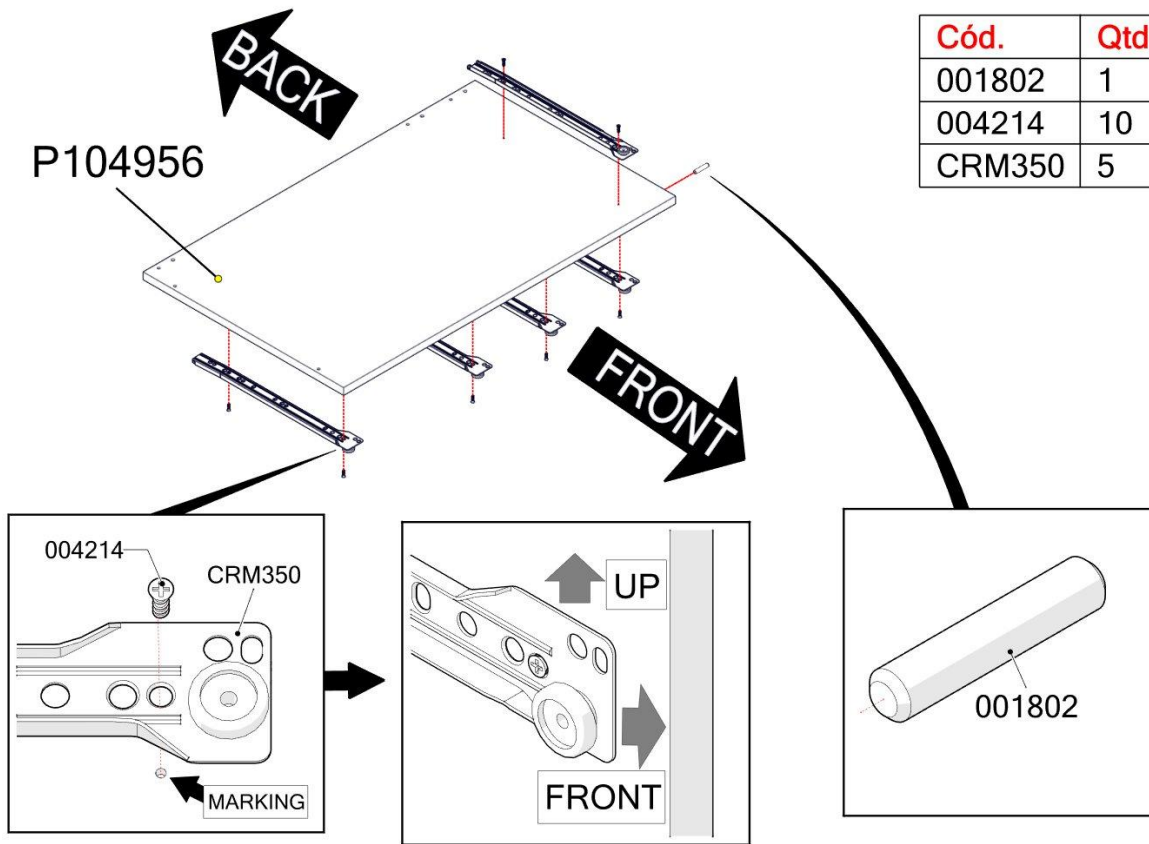
## STEP 6

Cód.	Qtde.
001802	4



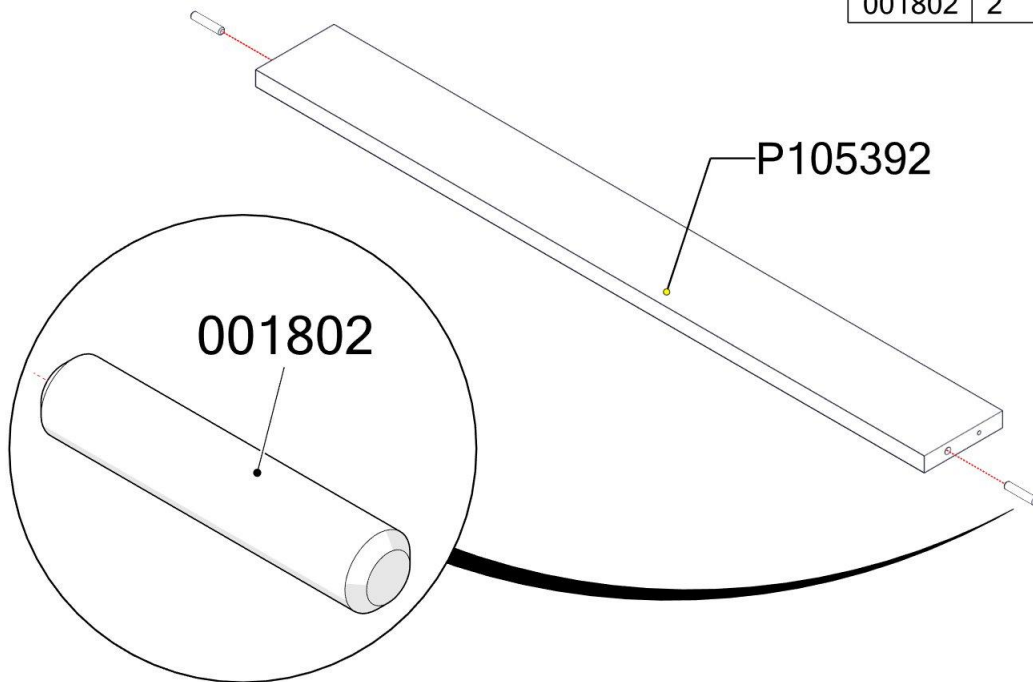
## STEP 7

Cód.	Qtde.
001802	1
004214	10
CRM350	5



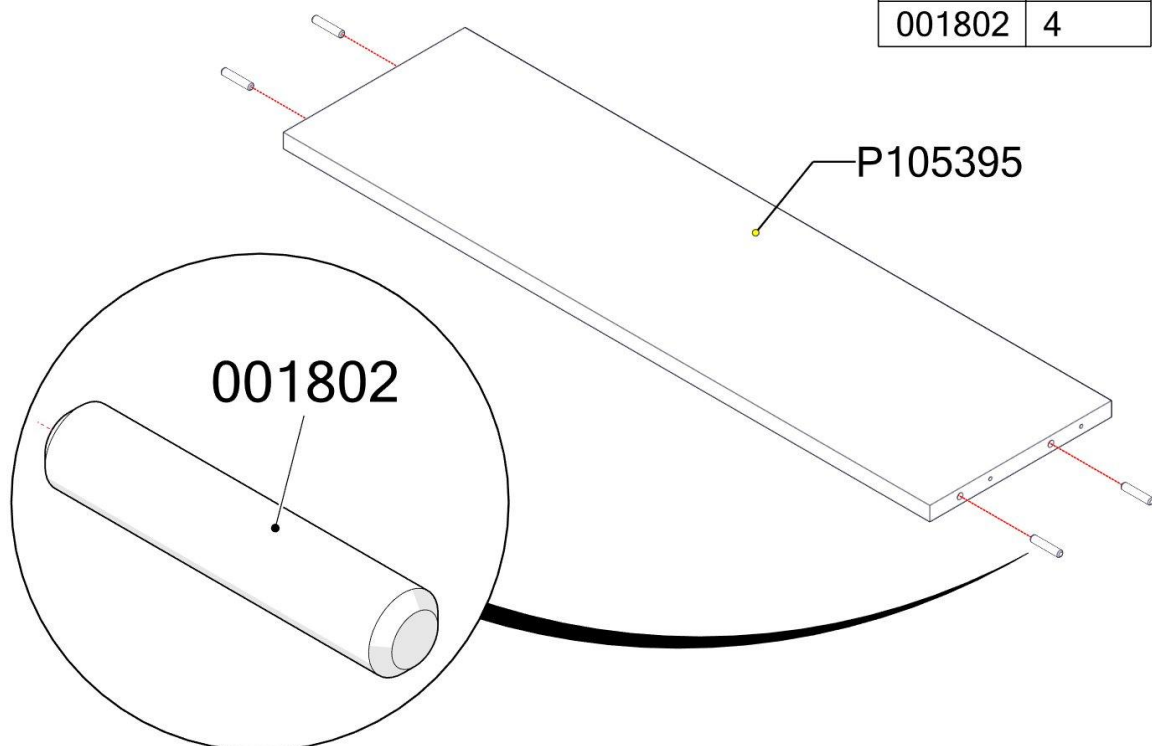
## STEP 8

Cód.	Qtde.
001802	2



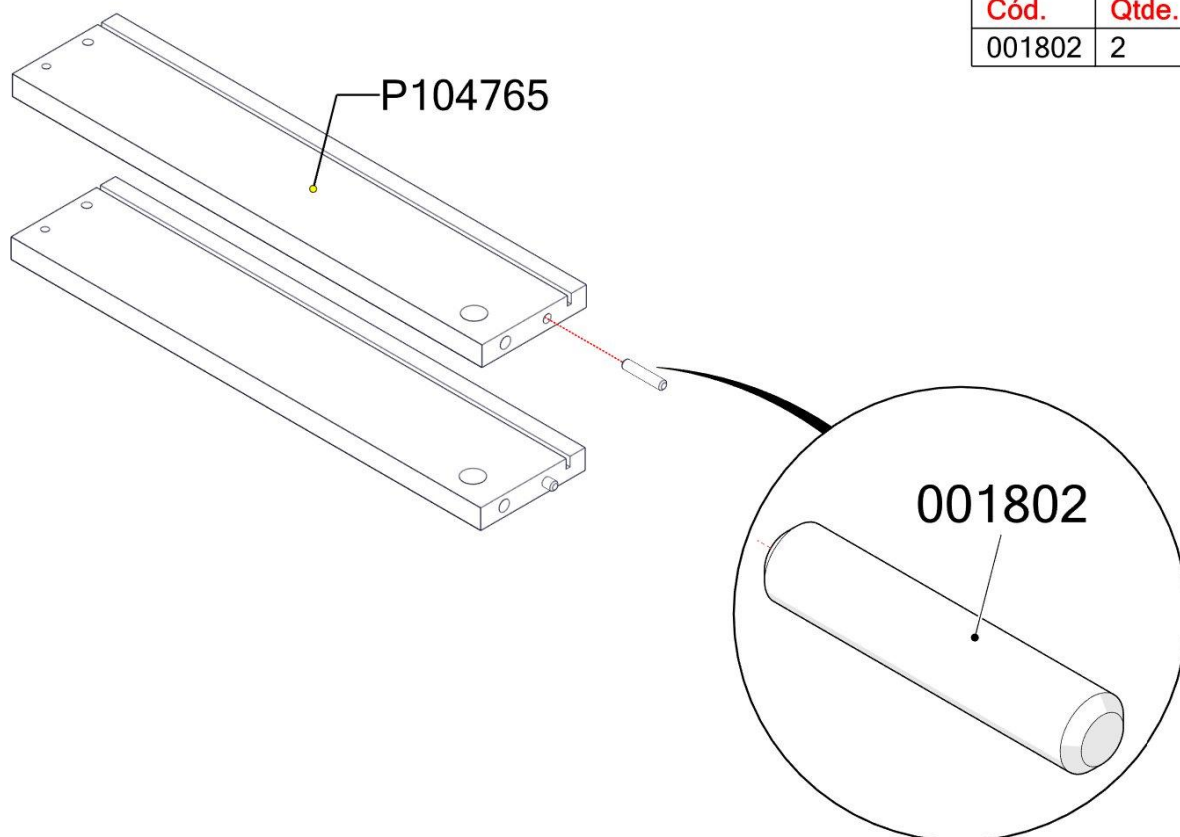
## STEP 9

Cód.	Qtde.
001802	4

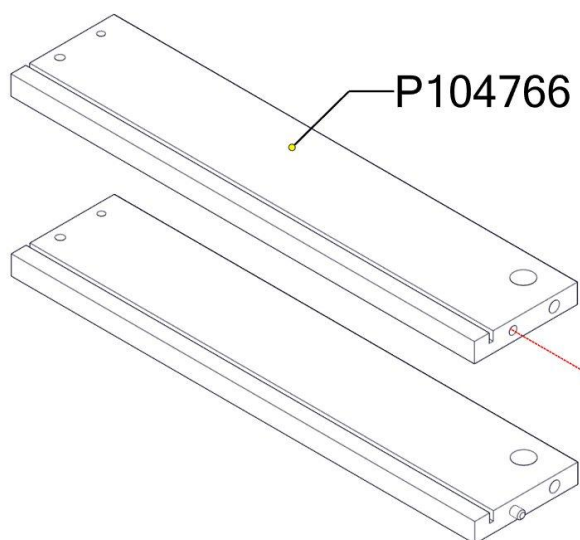


## STEP 10

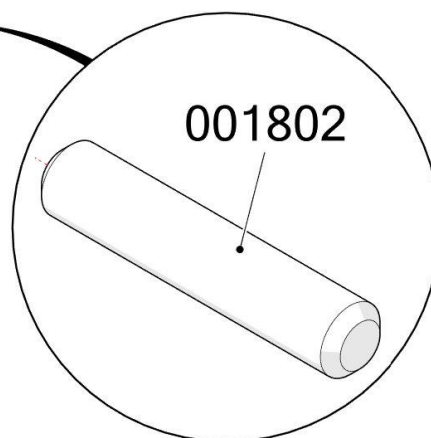
Cód.	Qtde.
001802	2



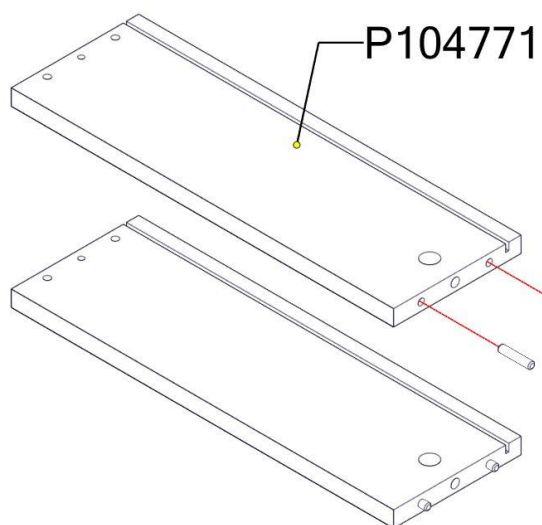
## STEP 11



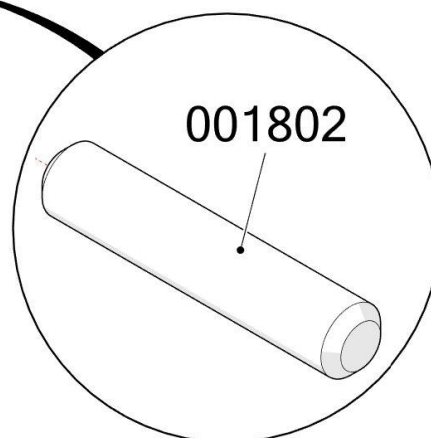
Cód.	Qtde.
001802	2



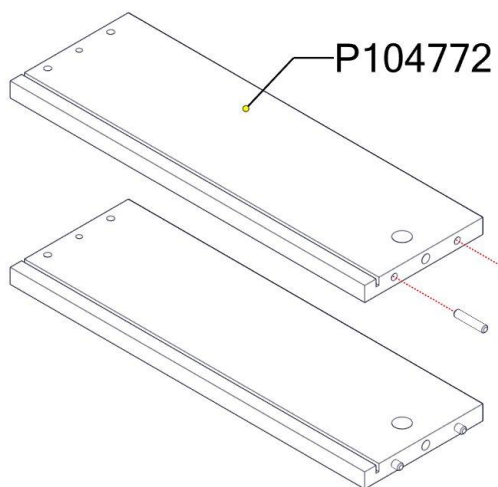
## STEP 12



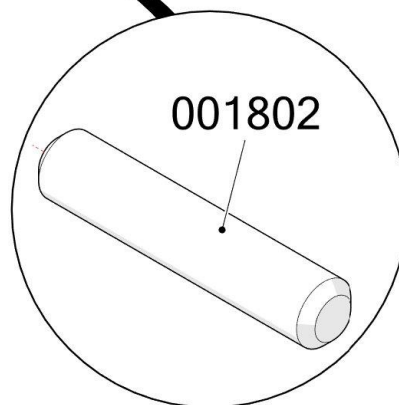
Cód.	Qtde.
001802	4



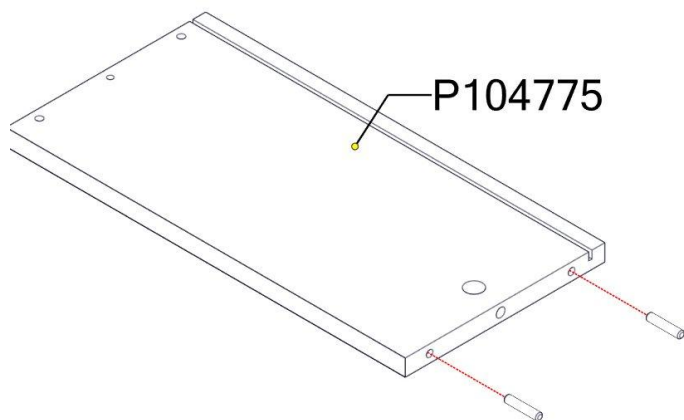
# STEP 13



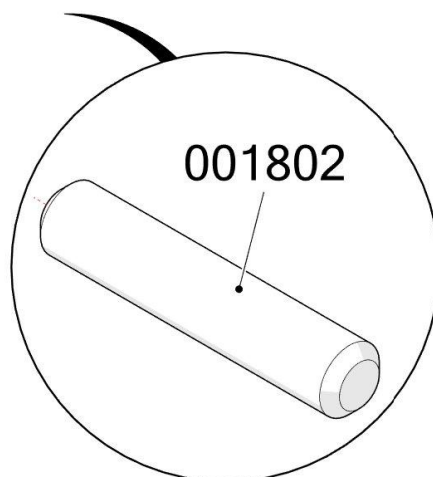
Cód.	Qtde.
001802	4



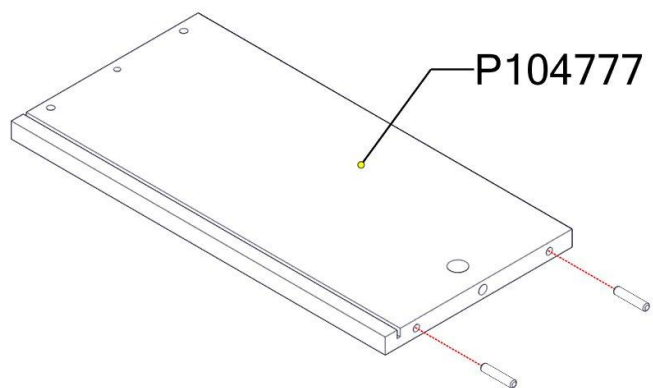
# STEP 14



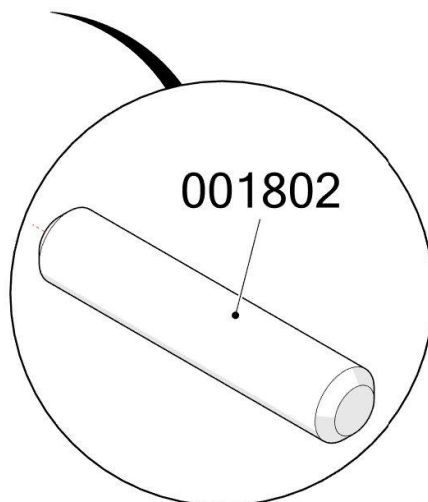
Cód.	Qtde.
001802	2



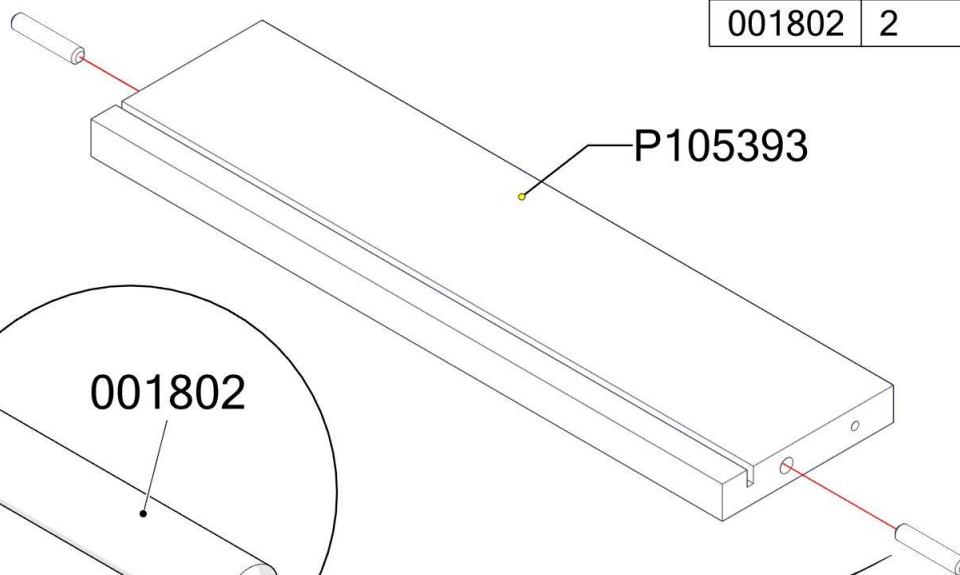
# STEP 15



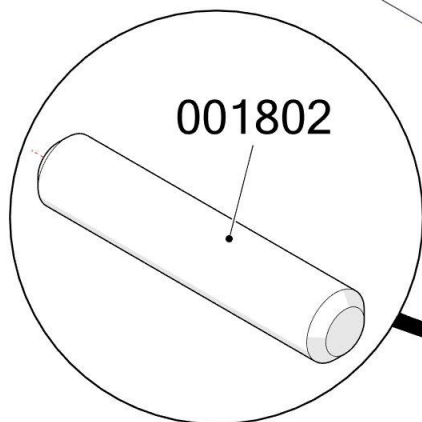
Cód.	Qtde.
001802	2



# STEP 16

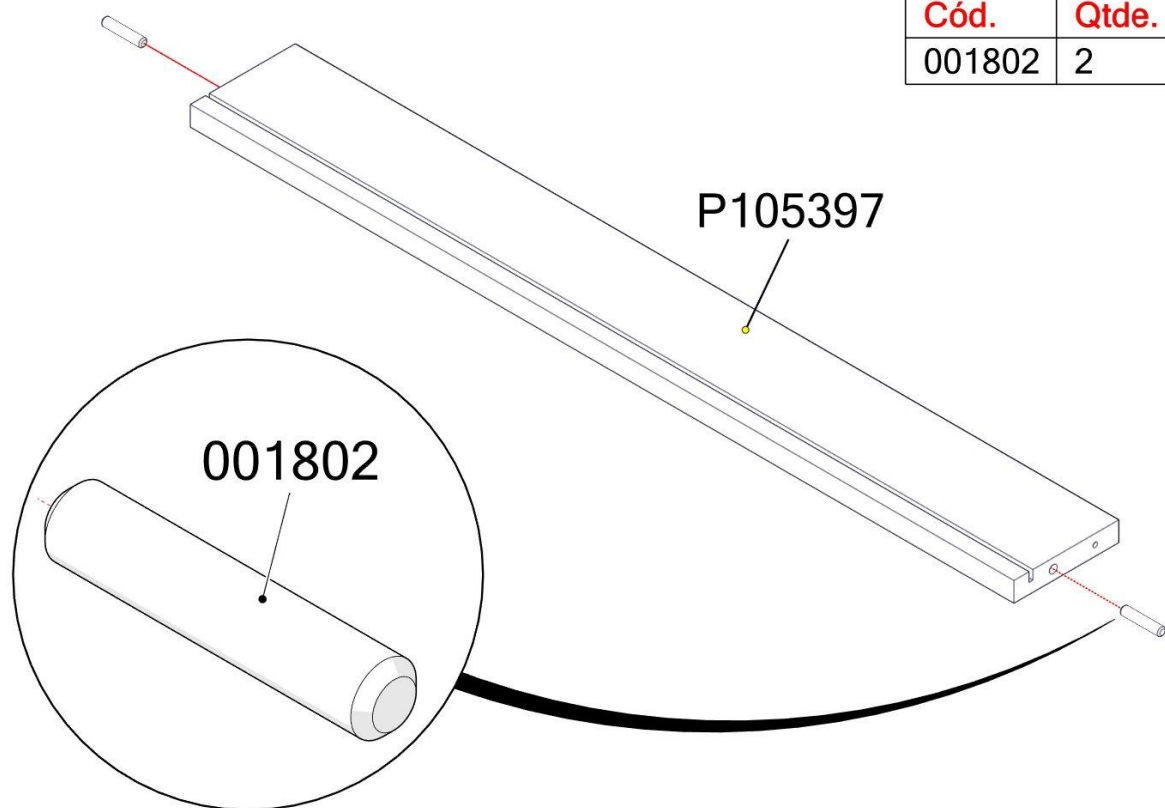


Cód.	Qtde.
001802	2



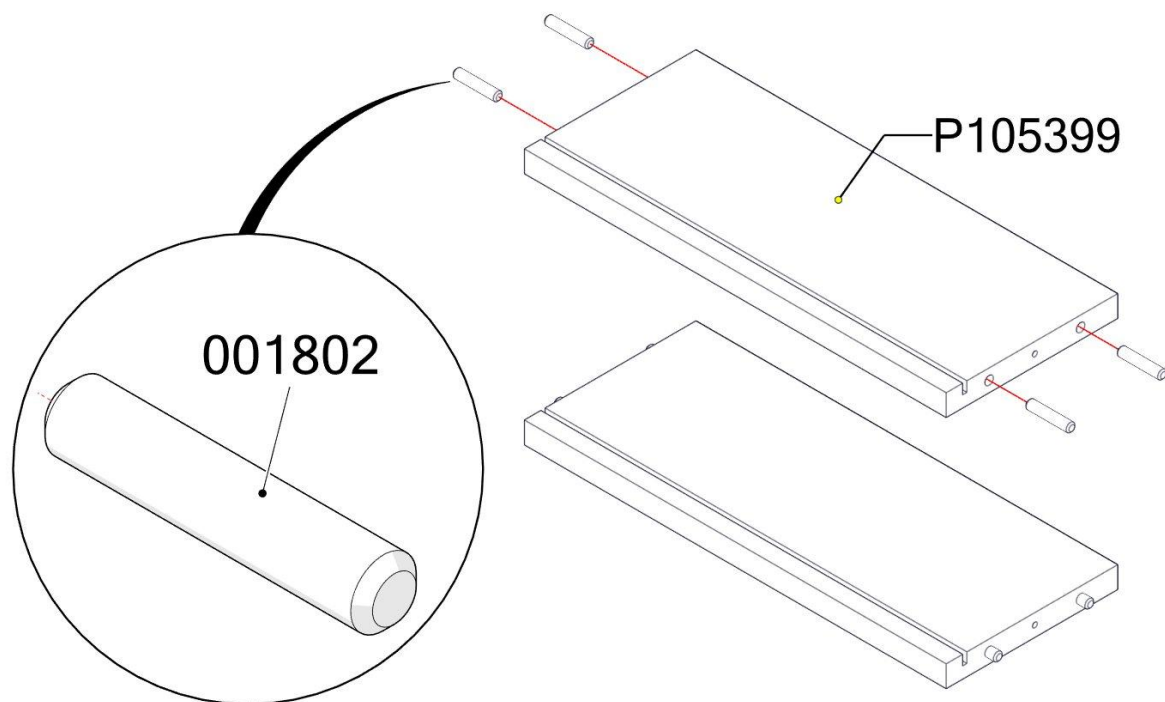
# STEP 17

Cód.	Qtde.
001802	2

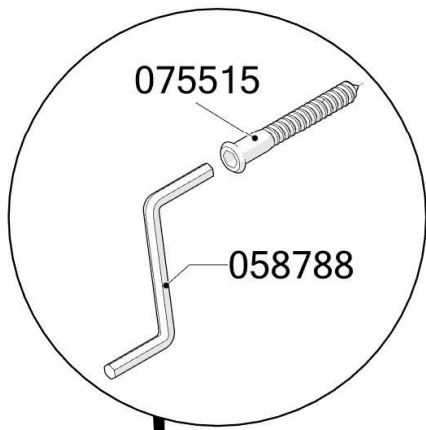


# STEP 18

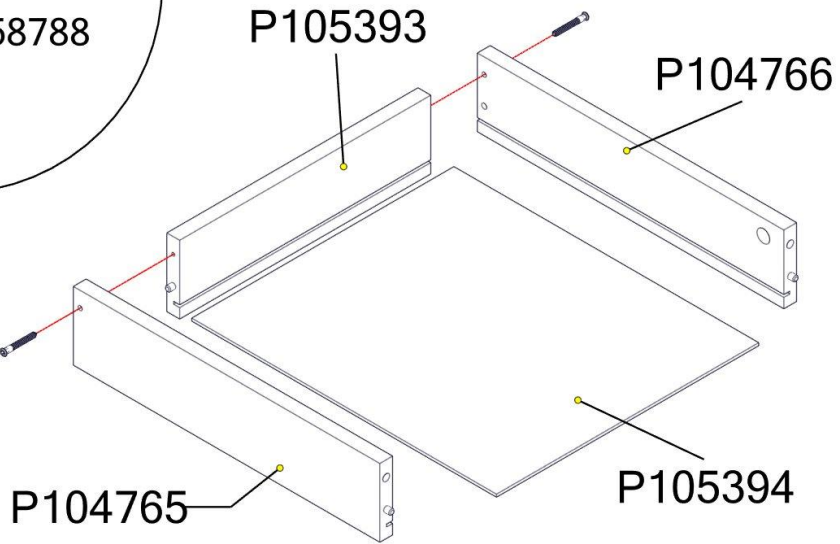
Cód.	Qtde.
001802	8



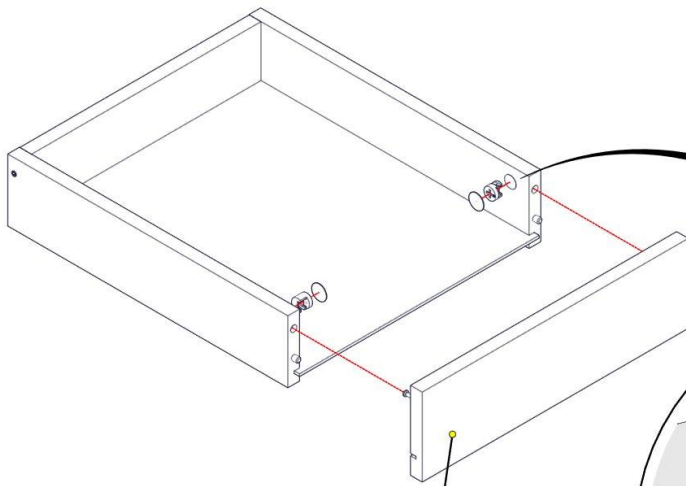
# STEP 19



Cód.	Qtde.
058788	1
075515	2

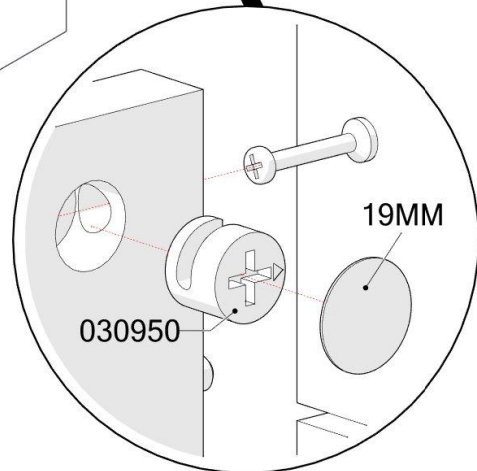


# STEP 20



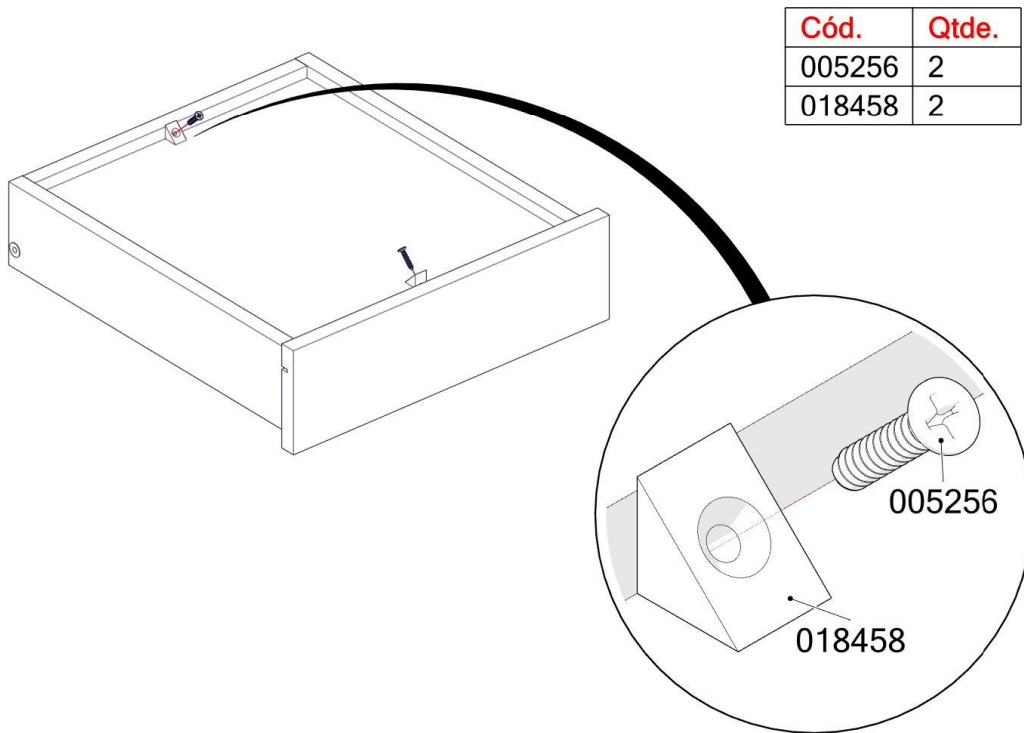
Cód.	Qtde.
030950	2
19MM	2

P105404



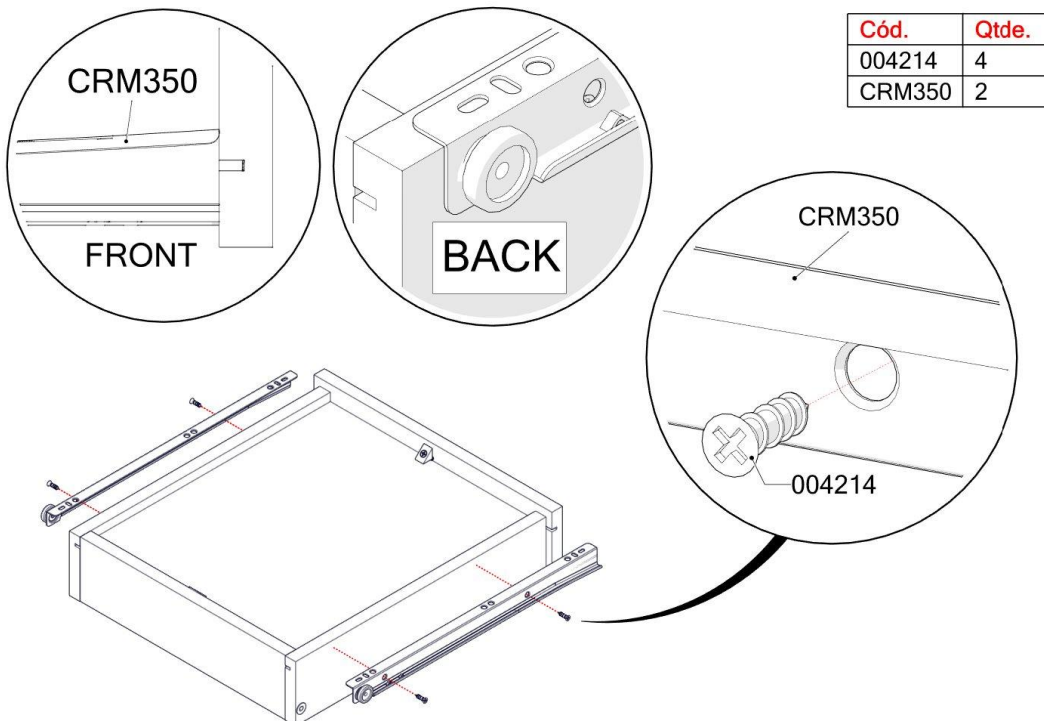
## STEP 21

Place 018458 central on the bottom of the drawer



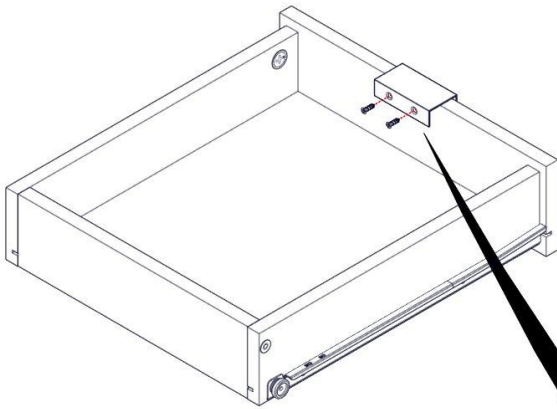
## STEP 22

Ralls should be flush to the front os drawer

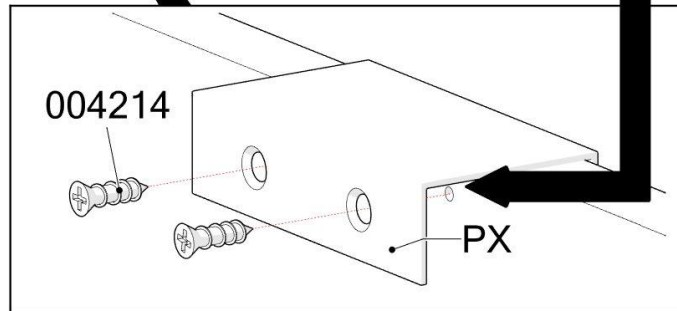


## STEP 23

Cód.	Qtde.
004214	2
PX	1

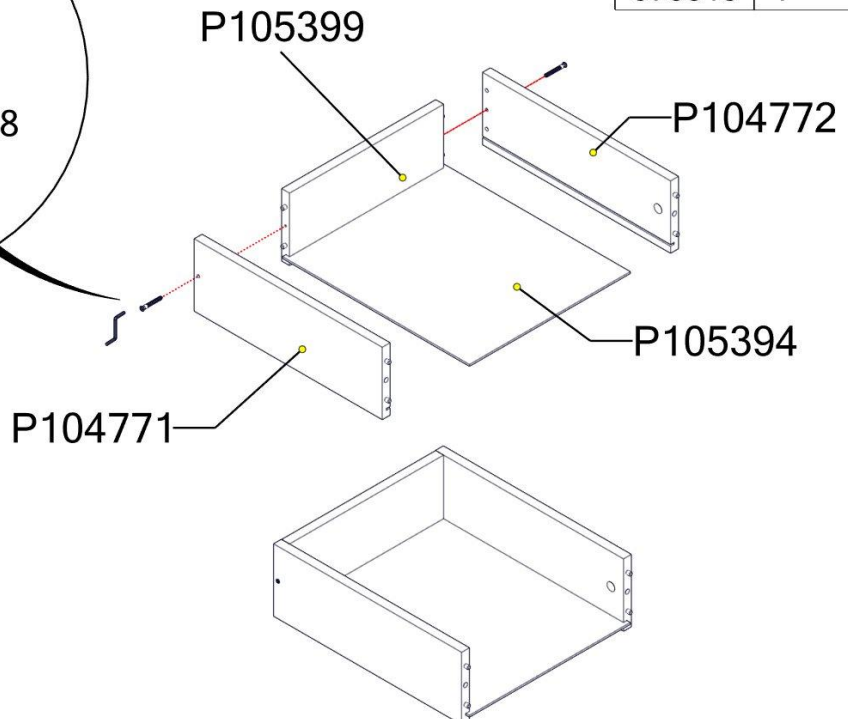
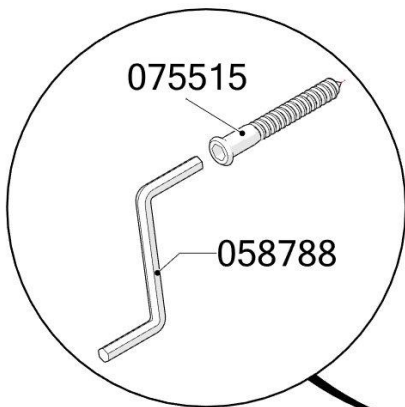


Use this Indent as a guide for the placement/installation of the handles

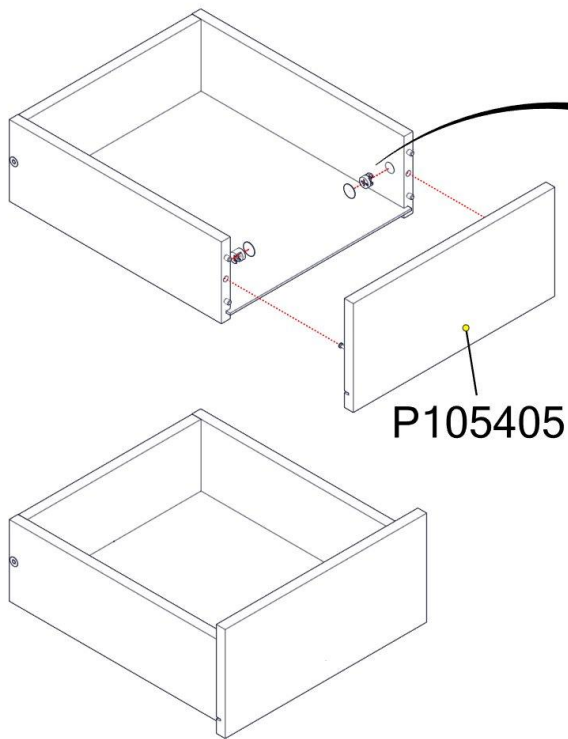


## STEP 24

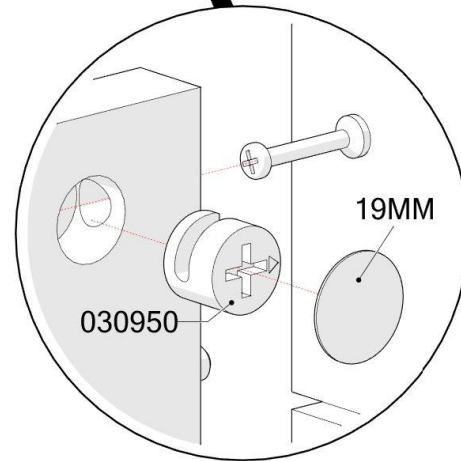
Cód.	Qtde.
058788	1
075515	4



## STEP 25

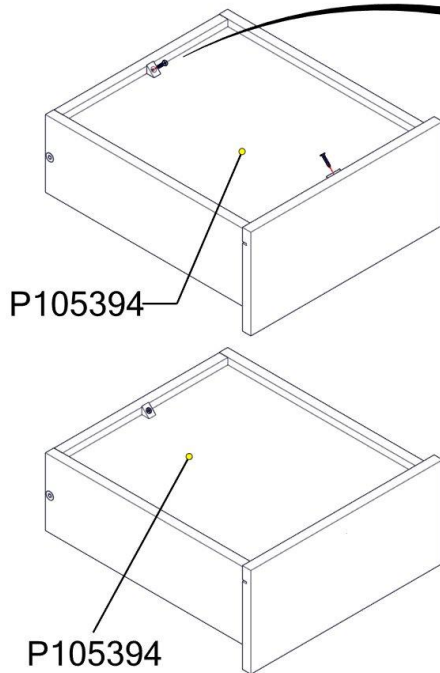


Cód.	Qtde.
030950	4
19MM	4

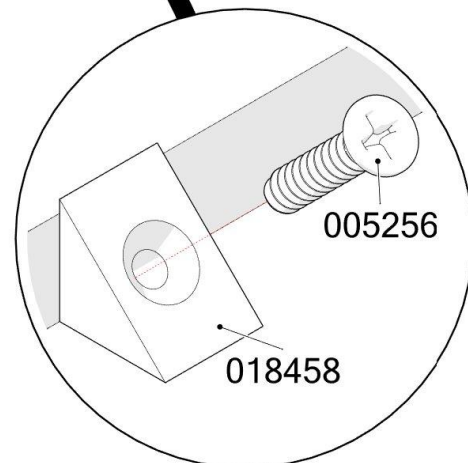


## STEP 26

Place 018458 central on the bottom of the drawer

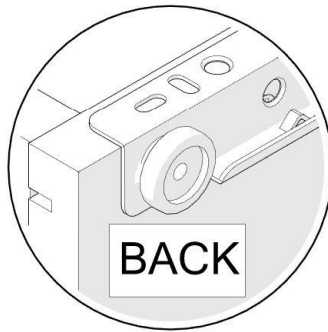
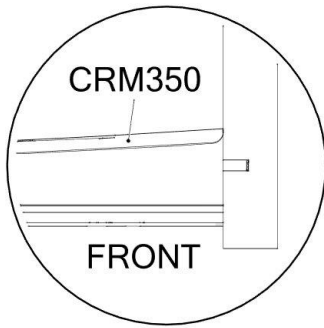


Cód.	Qtde.
005256	4
018458	4

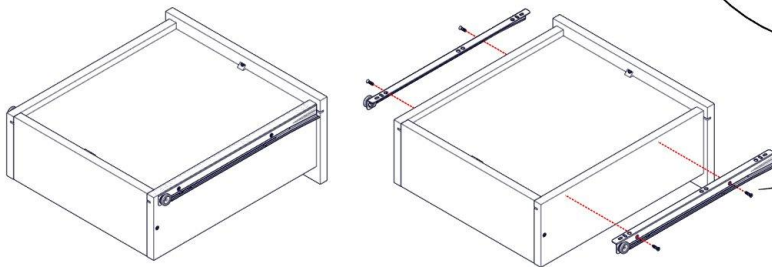
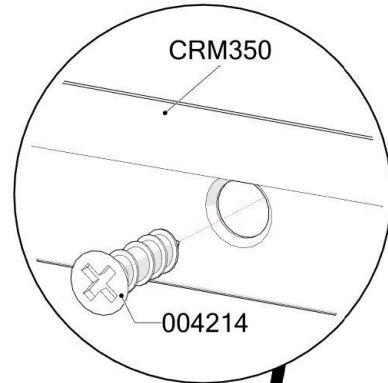


## STEP 27

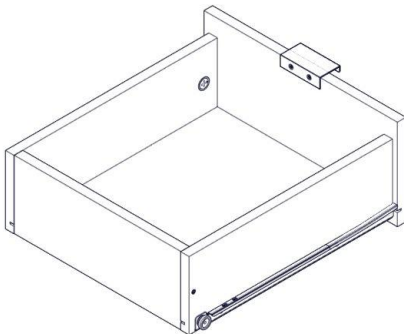
Ralls should be flush to the front os drawer



Cód.	Qtde.
004214	8
CRM350	4

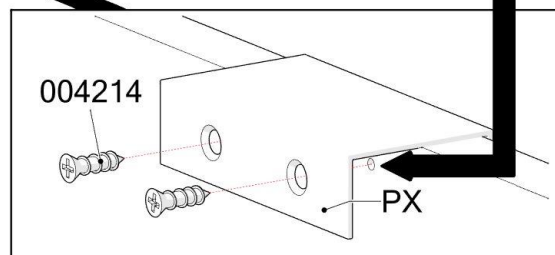
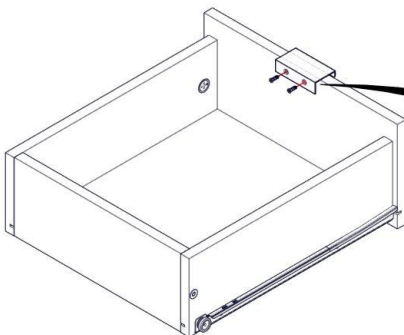


## STEP 28

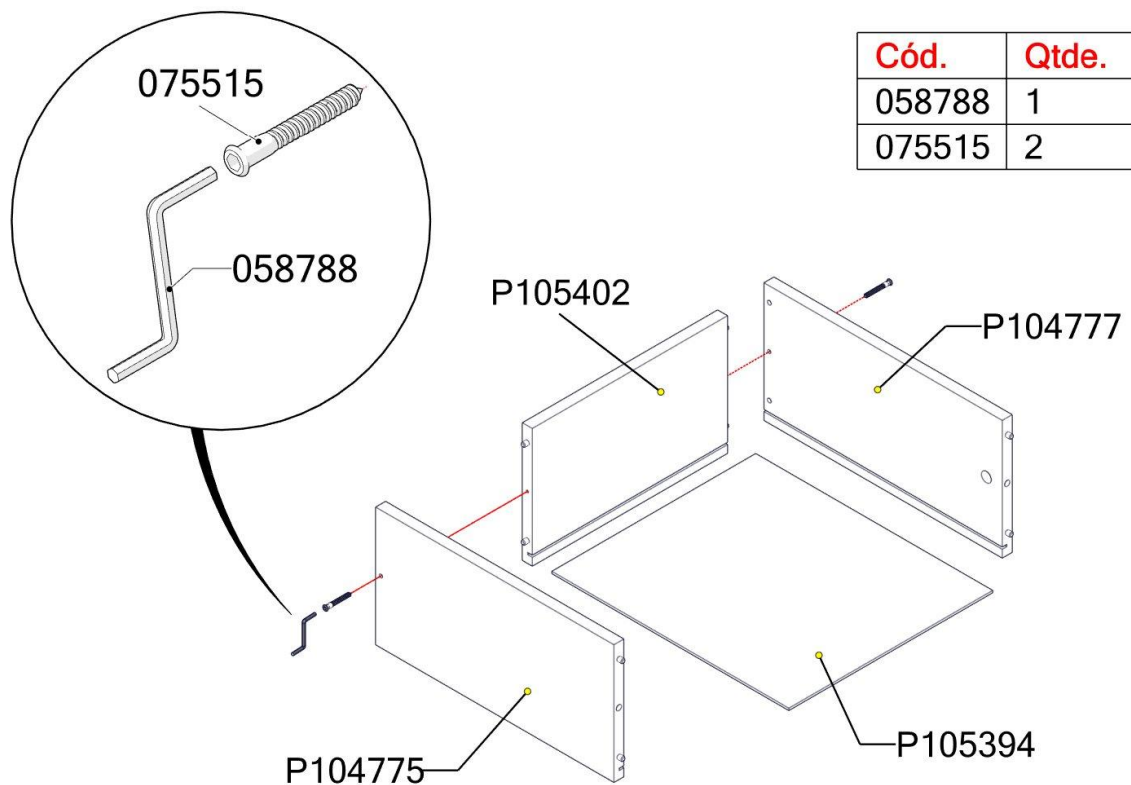


Cód.	Qtde.
004214	4
PX	2

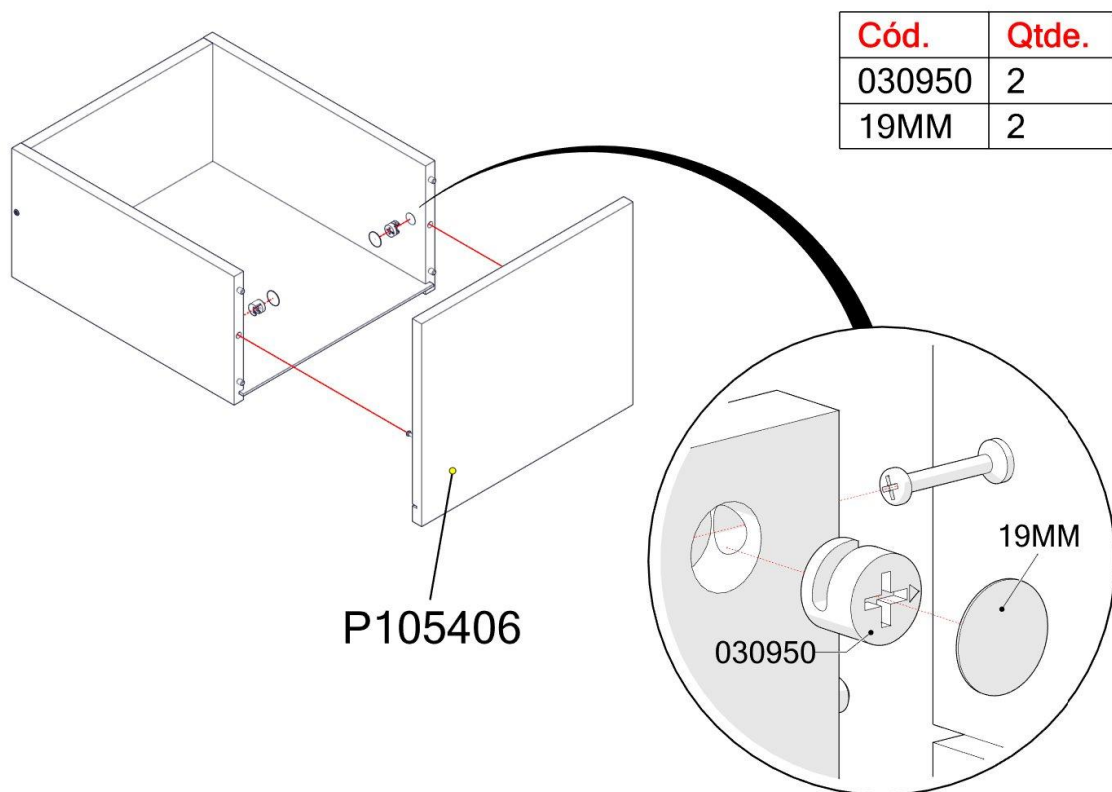
Use this Indent as a guide for the placement/installation of the handles



## STEP 29

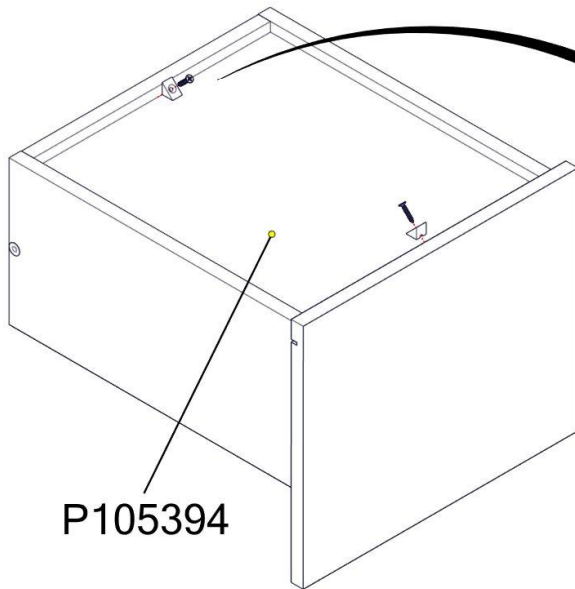


## STEP 30

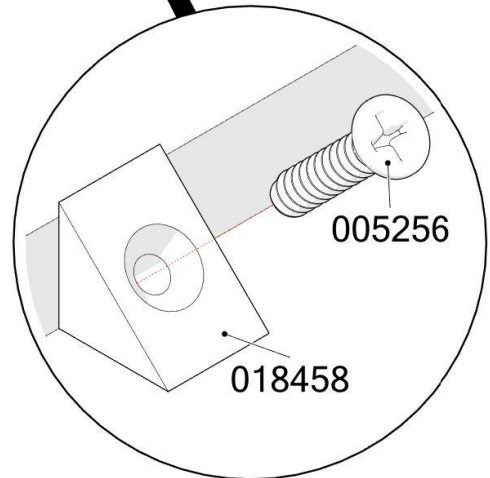


## STEP 31

Place 018458 central on the bottom of the drawer

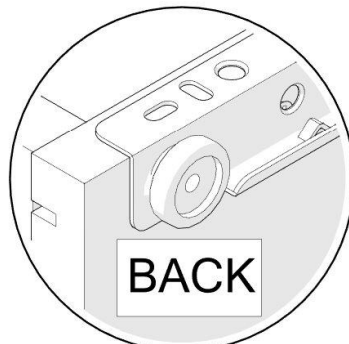
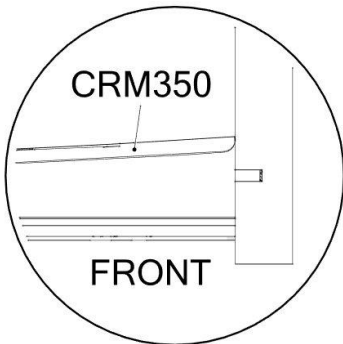


Cód.	Qtde.
005256	2
018458	2

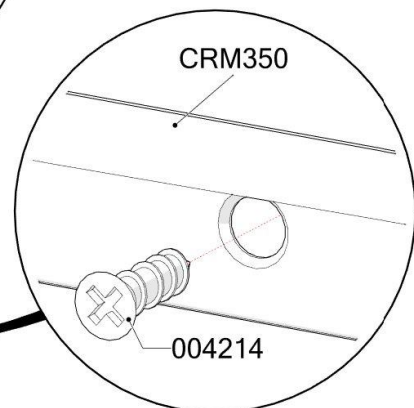
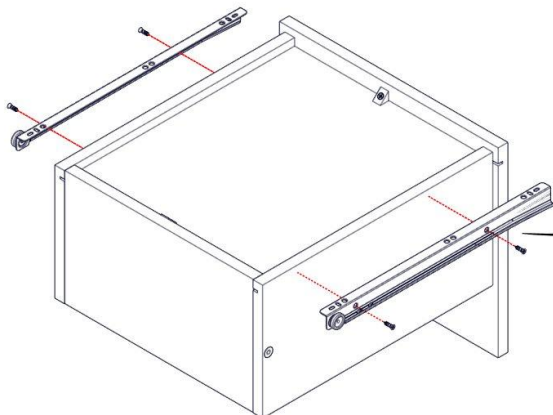


## STEP 32

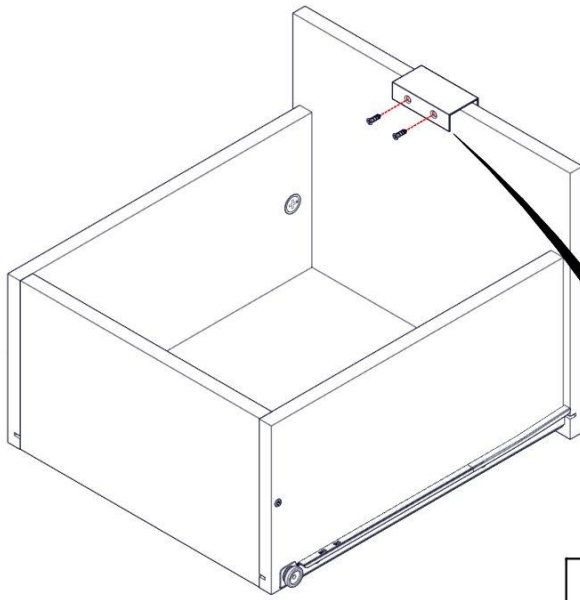
Ralls should be flush to the front os drawer



Cód.	Qtde.
004214	4
CRM350	2

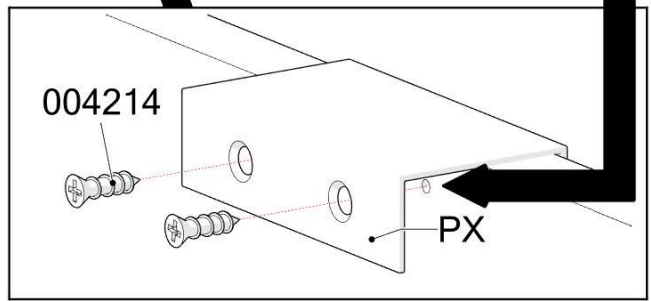


## STEP 33

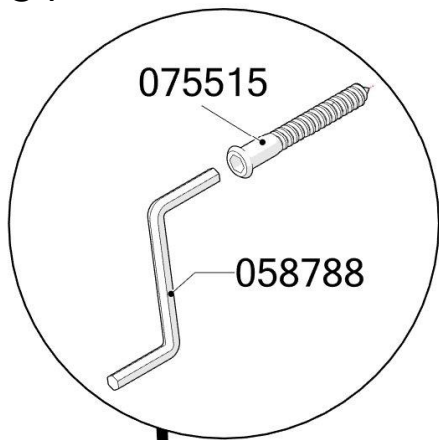


Cód.	Qtde.
004214	2
PX	1

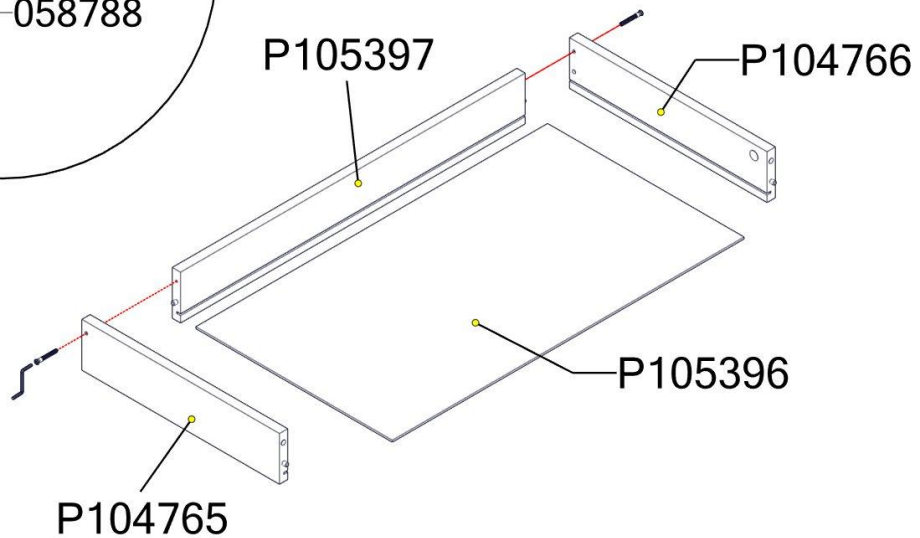
Use this Indent as a guide for the placement/installation of the handles



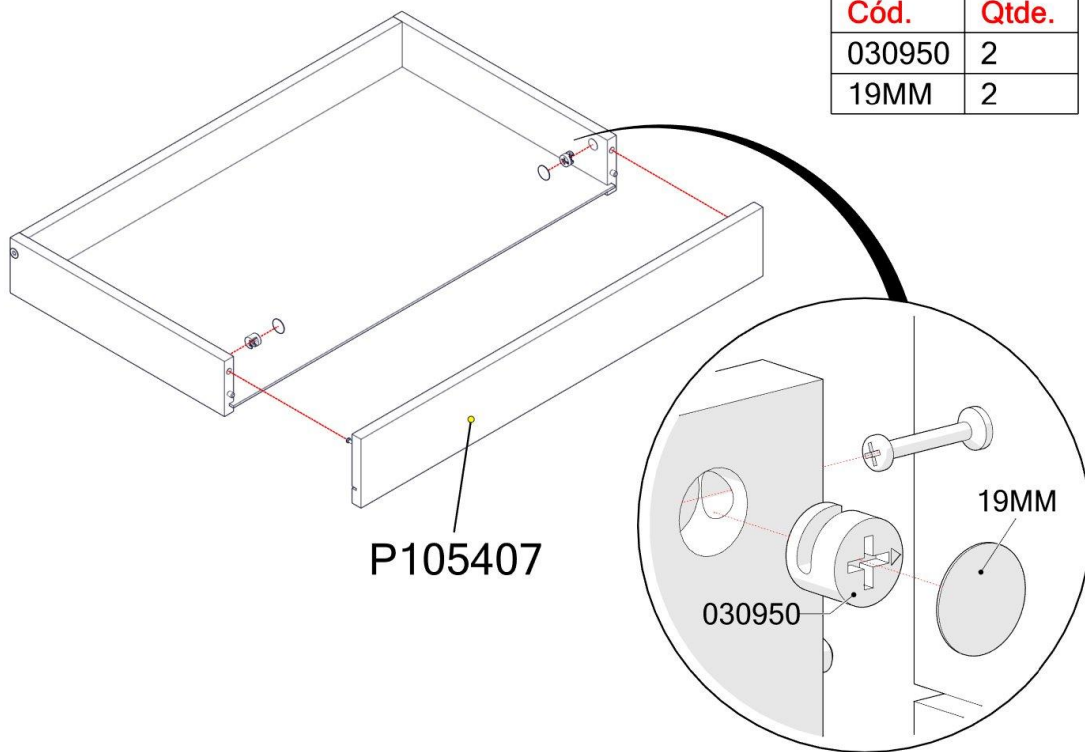
## STEP 34



Cód.	Qtde.
058788	1
075515	2

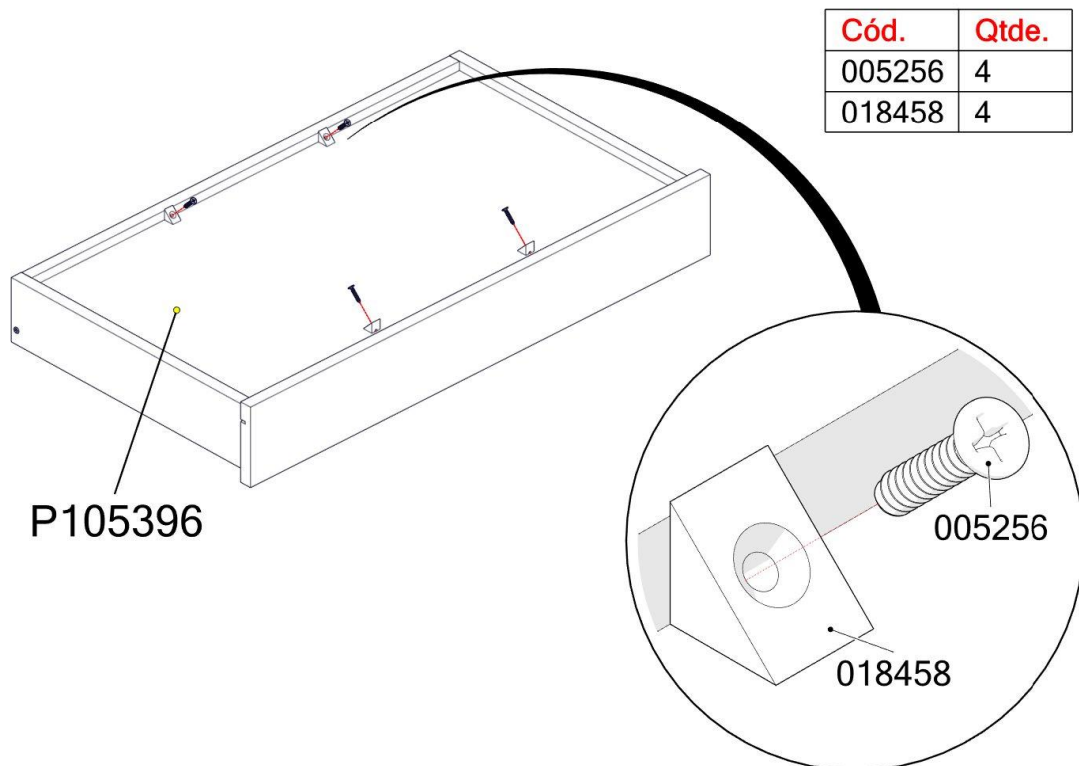


## STEP 35



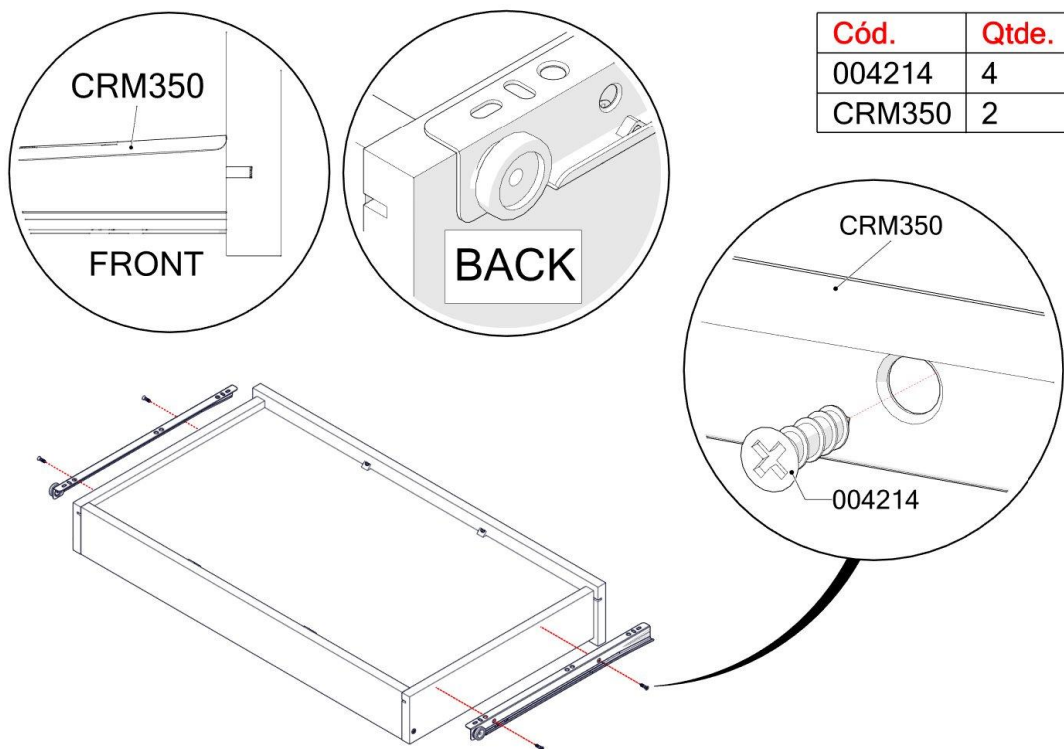
## STEP 36

Place 018458 central on the bottom of the drawer

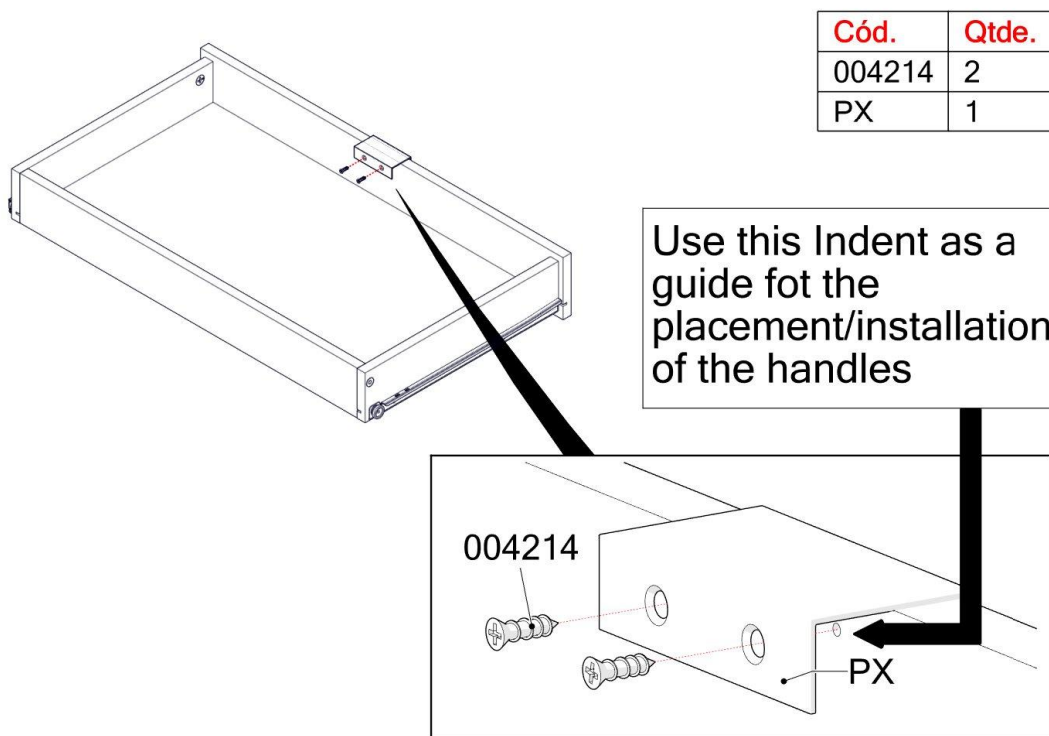


## STEP 37

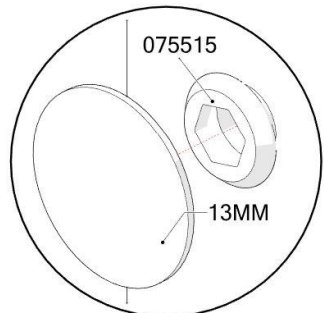
Rails should be flush to the front of drawer



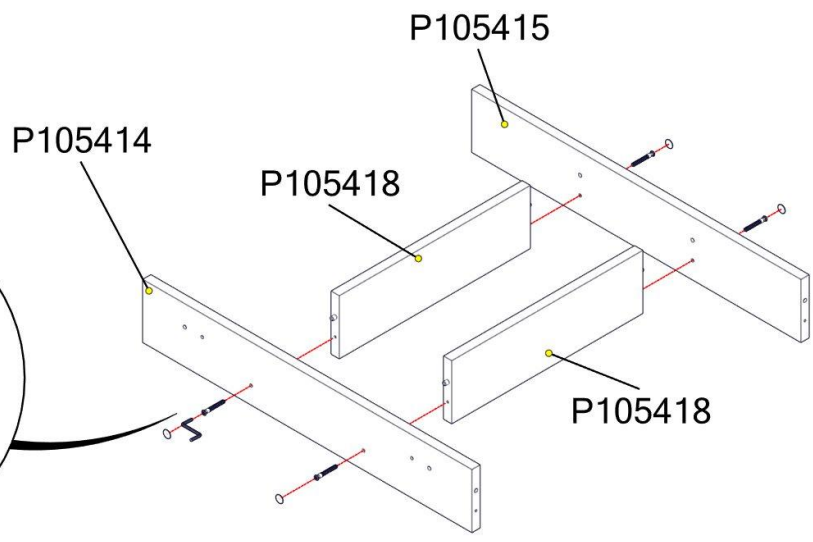
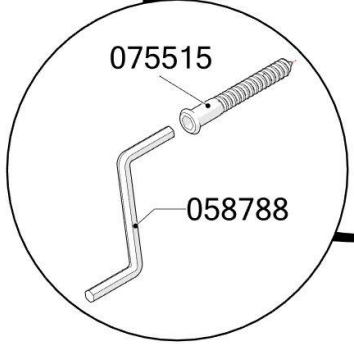
## STEP 38



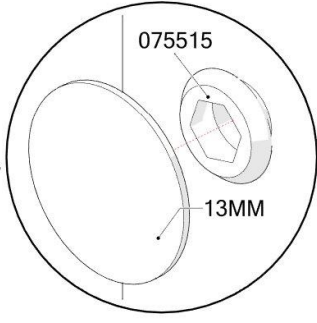
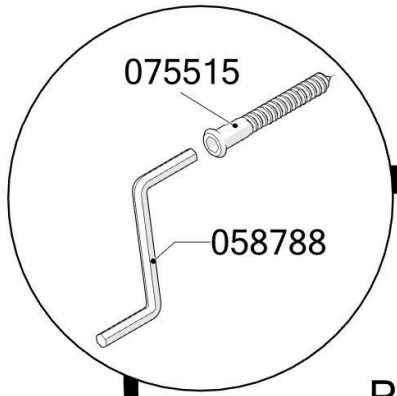
# STEP 39



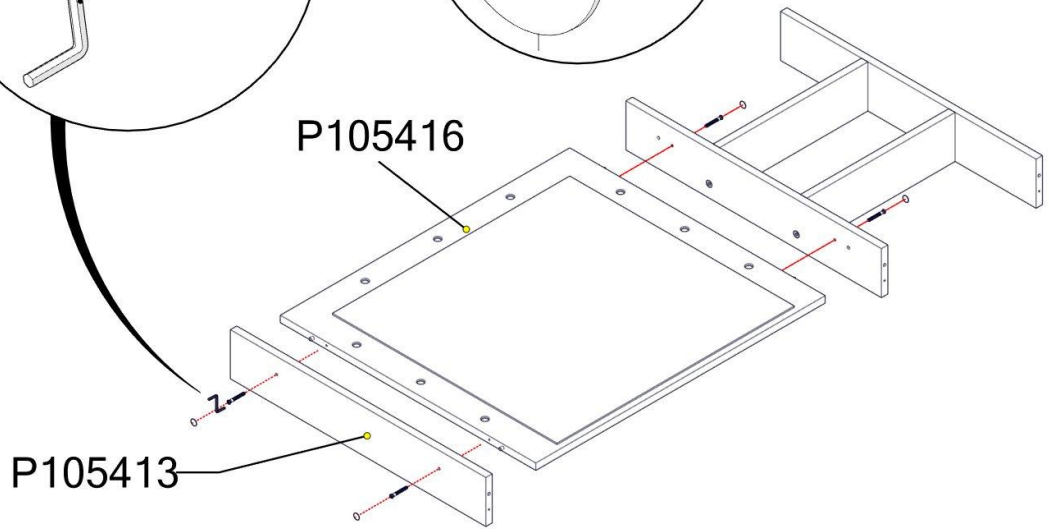
Cód.	Qtde.
058788	1
075515	4
13MM	4



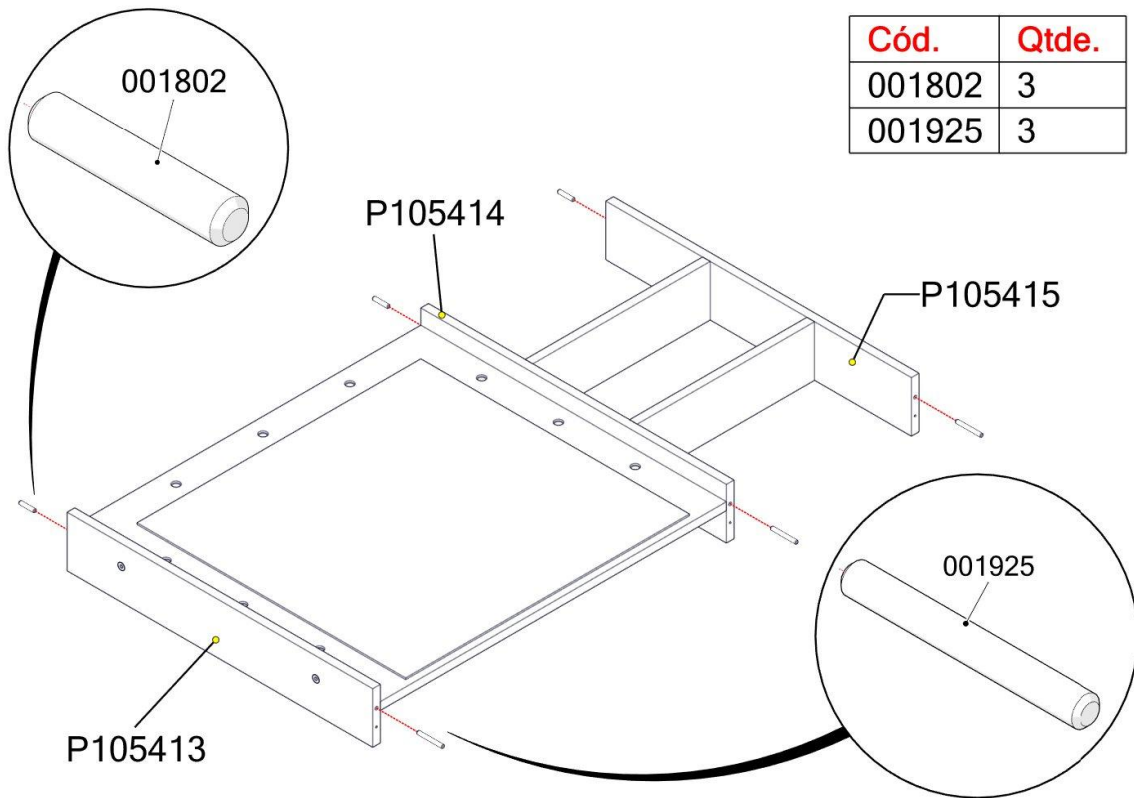
# STEP 40



Cód.	Qtde.
058788	1
075515	4
13MM	4

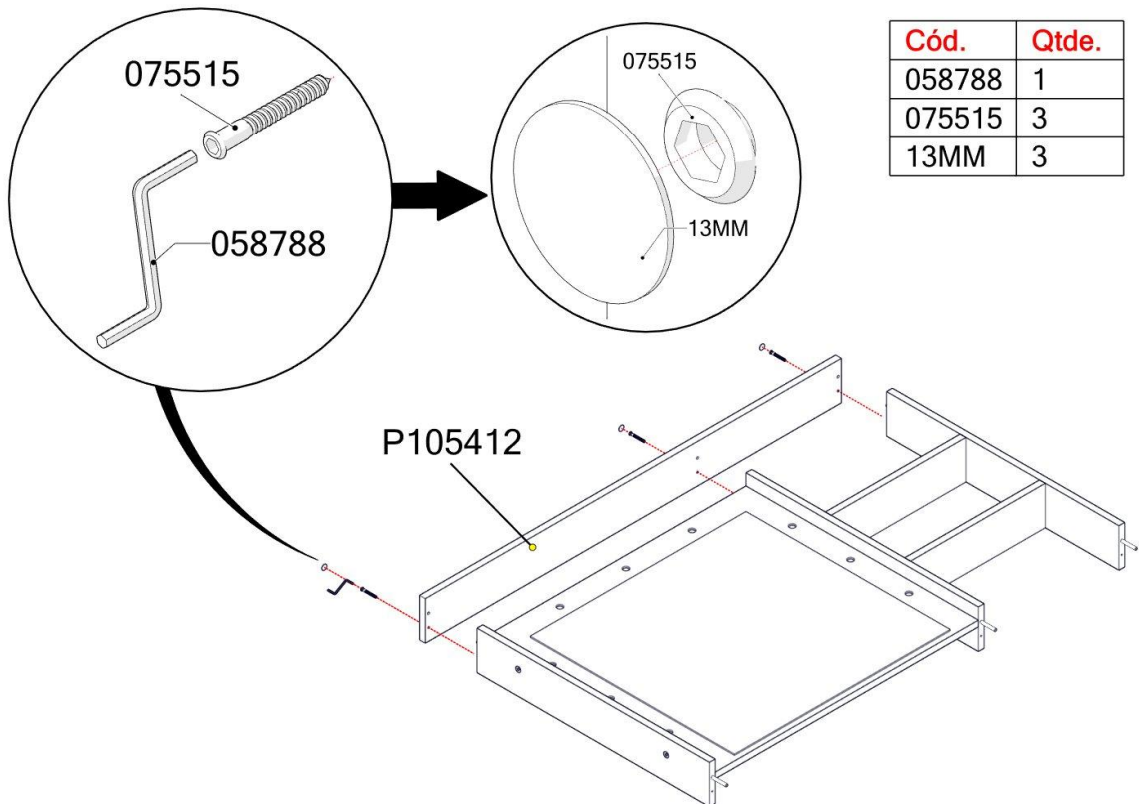


## STEP 41



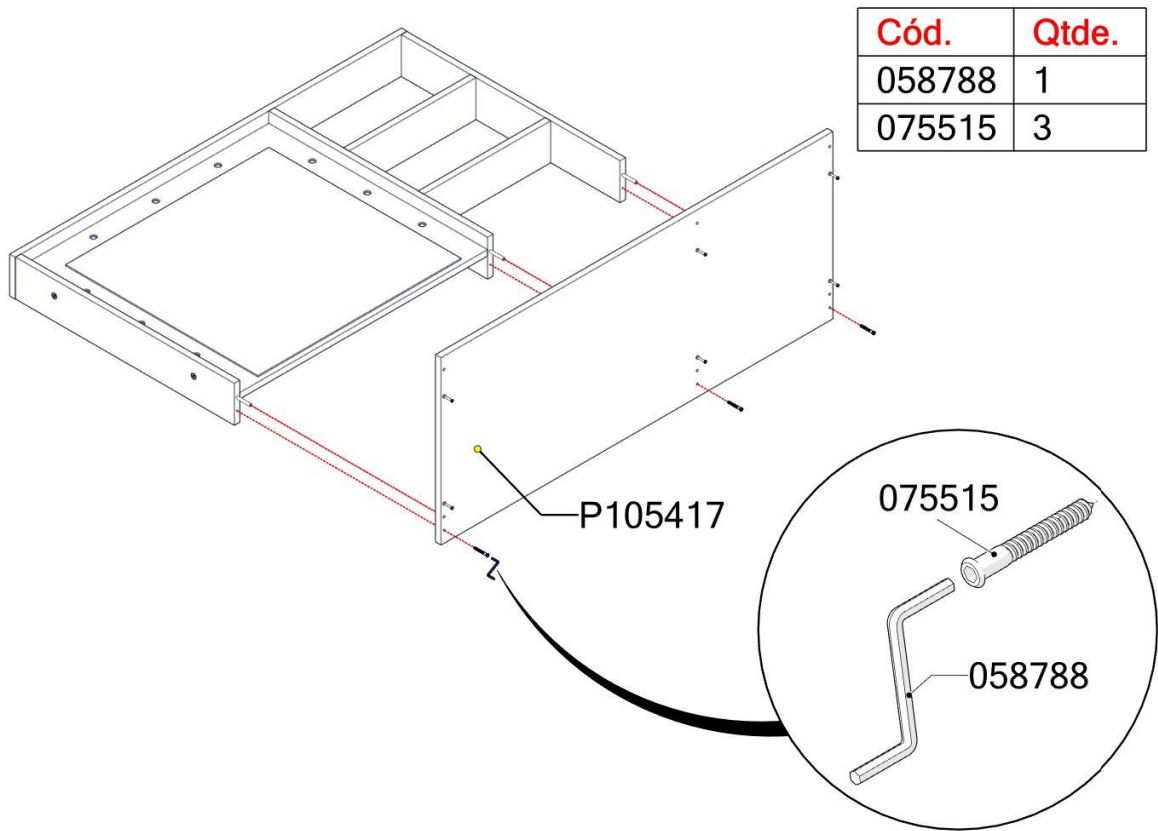
Cód.	Qtde.
001802	3
001925	3

## STEP 42



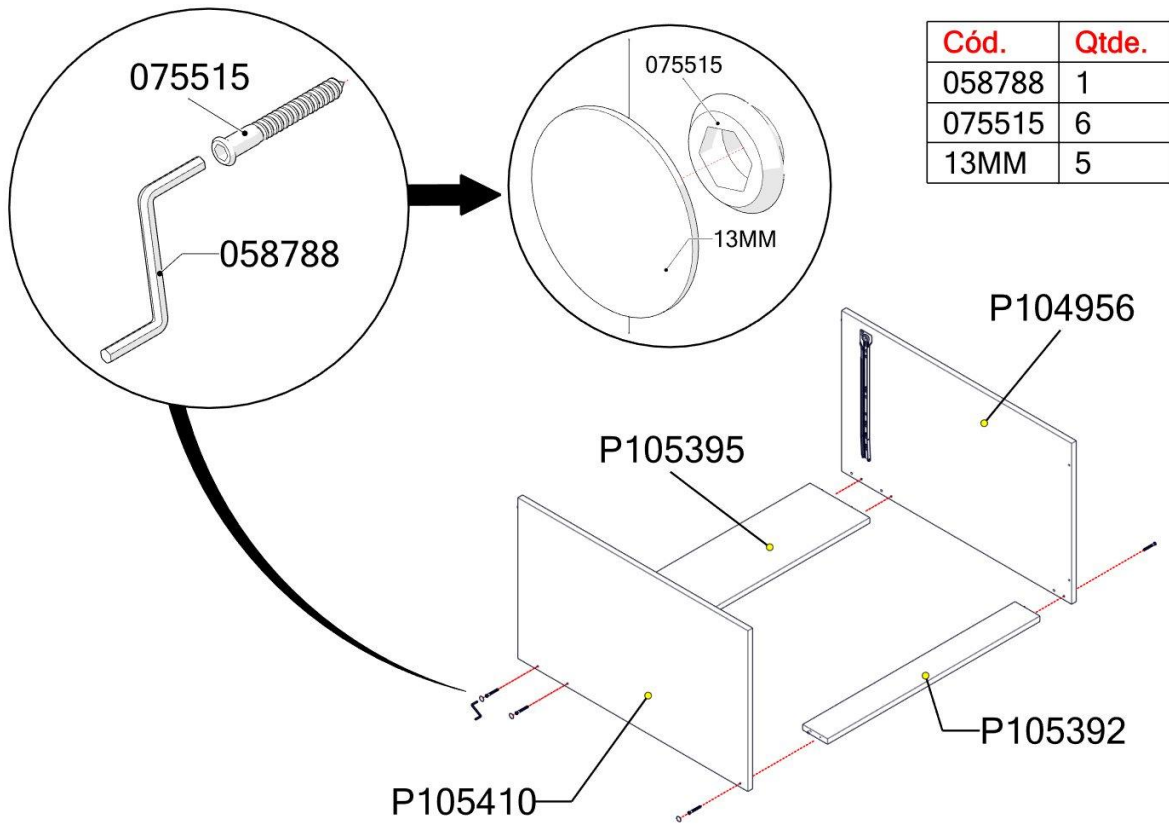
Cód.	Qtde.
058788	1
075515	3
13MM	3

## STEP 43



Cód.	Qtde.
058788	1
075515	3

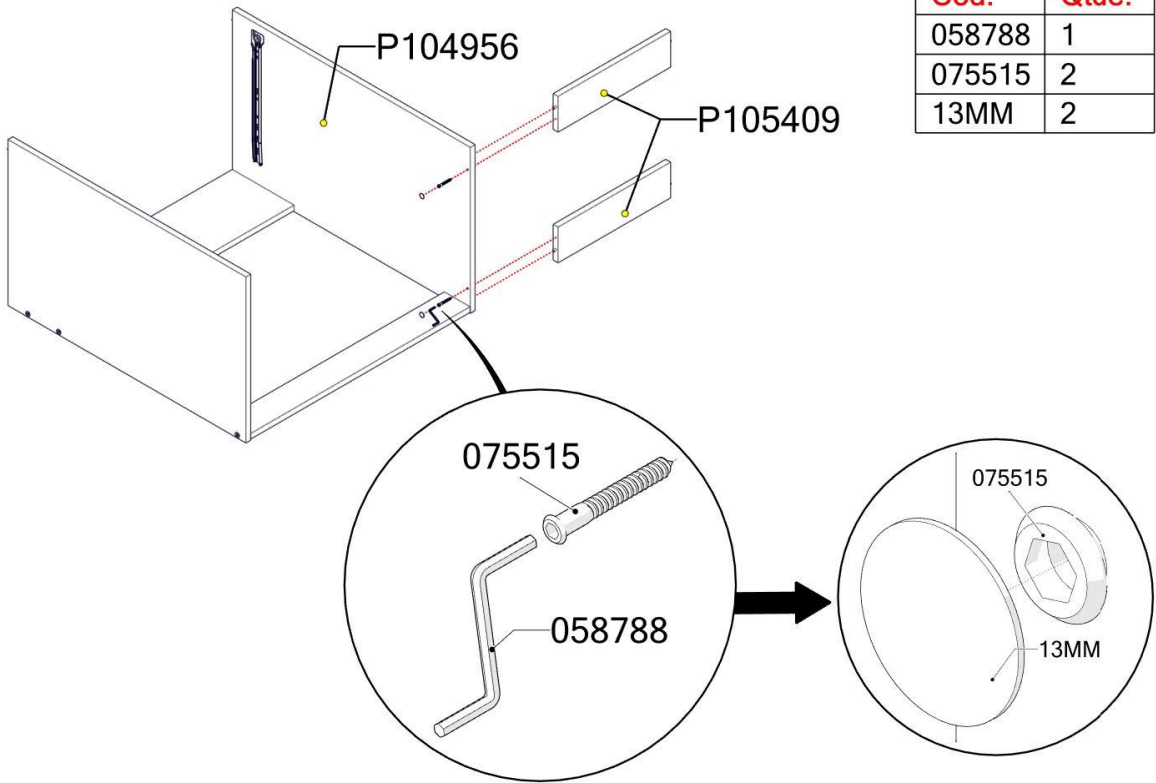
## STEP 44



Cód.	Qtde.
058788	1
075515	6
13MM	5

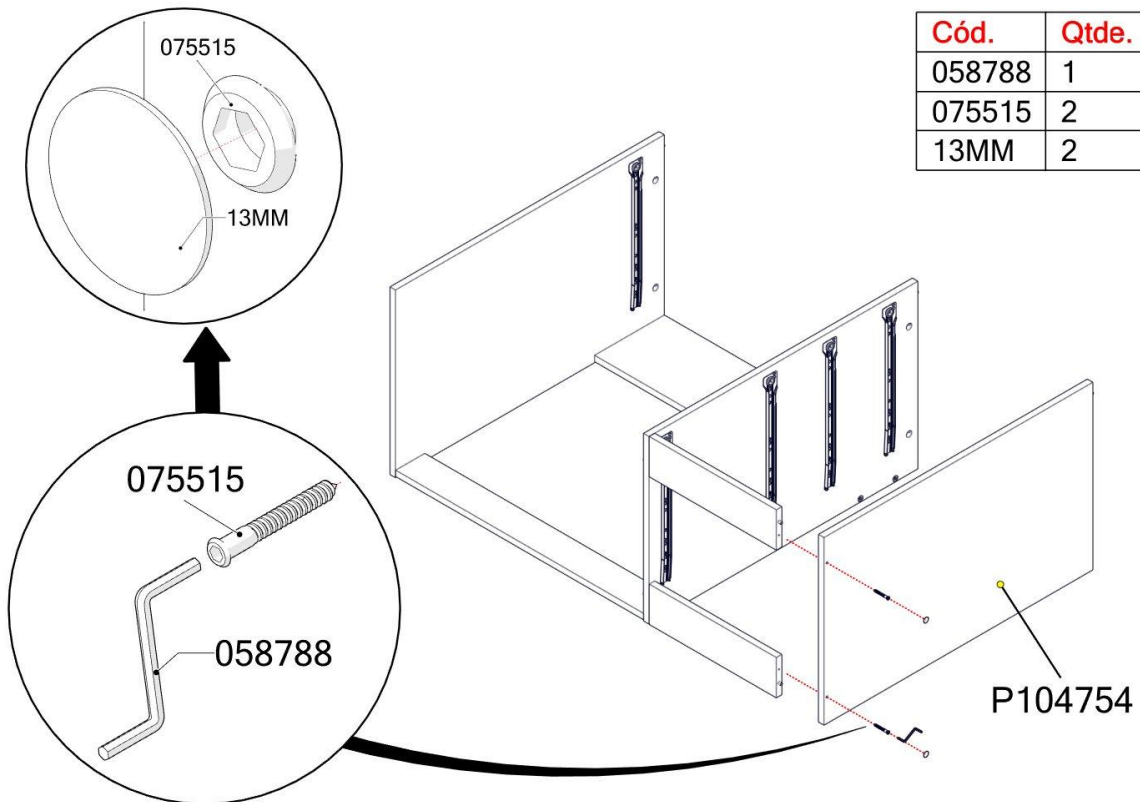
## STEP 45

Cód.	Qtde.
058788	1
075515	2
13MM	2

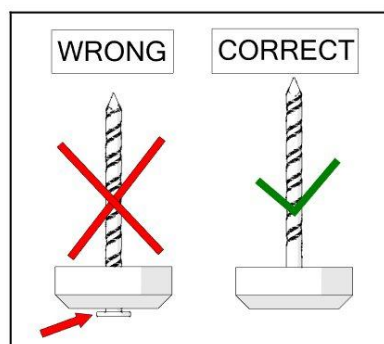


## STEP 46

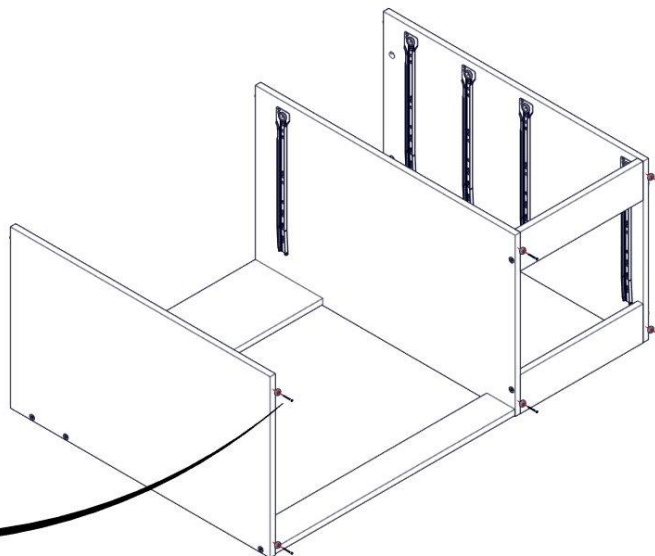
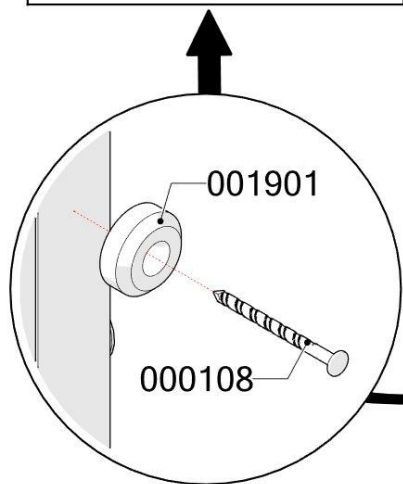
Cód.	Qtde.
058788	1
075515	2
13MM	2



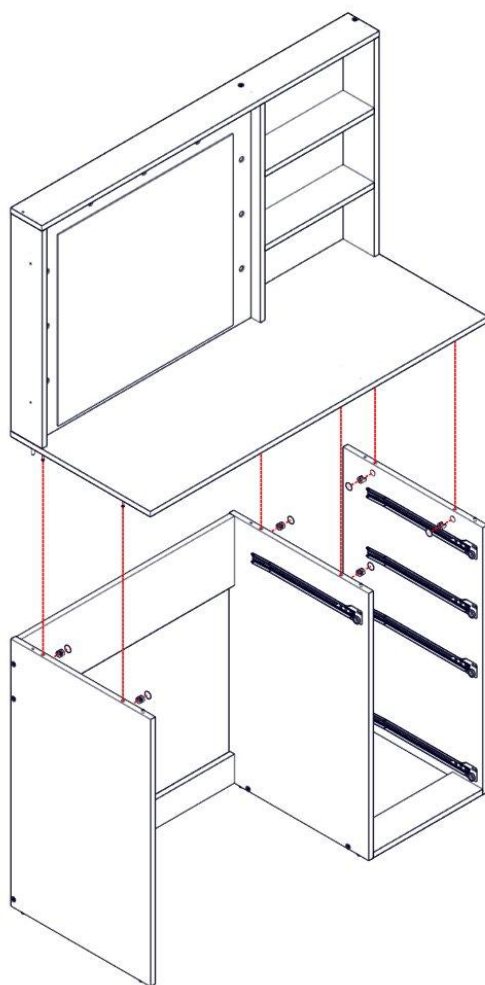
# STEP 47



Cód.	Qtde.
000108	6
001901	6



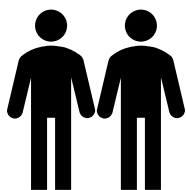
## STEP 48



Cód.	Qtde.
030950	6
19MM	6

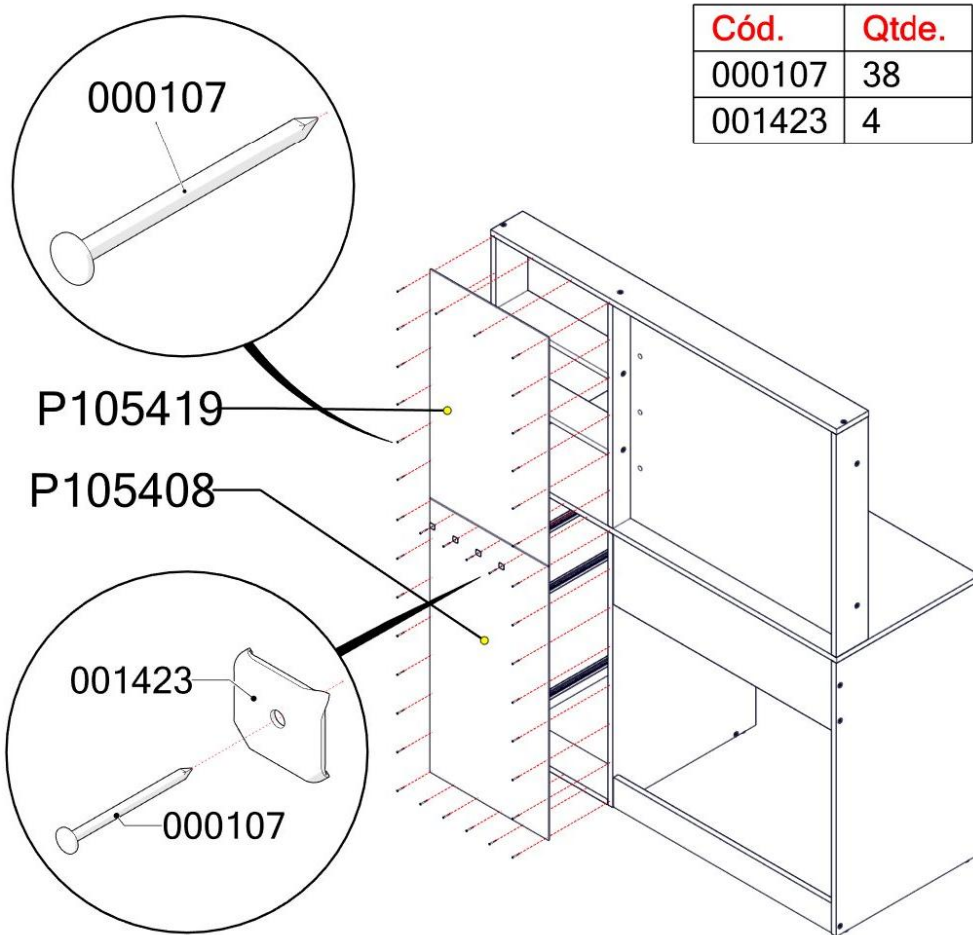
the upper set is NOT part of this piece of furniture, it is there for ***illustrative*** purposes Only.

After fitting the assembly together, you can proceed with the rest of the assembly.



This step requires two people when installing the top portion of the vanity (as per this step), as this item is considered heavy and somewhat cumbersome.

## STEP 49



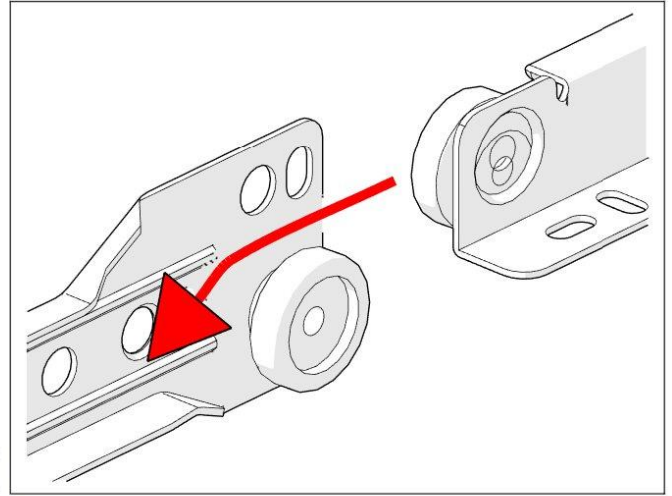
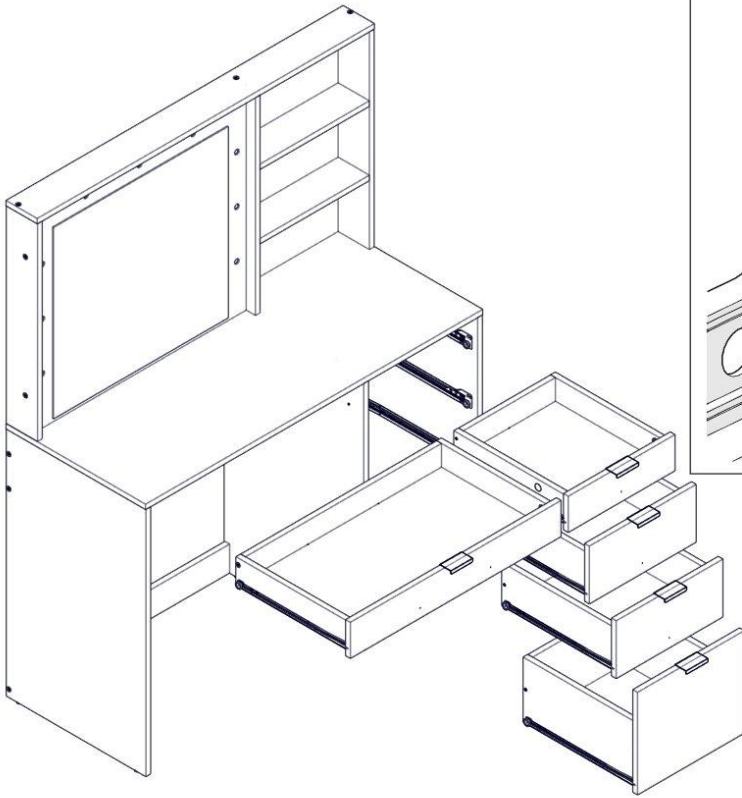
After checking that the back panel is squared to the side and Top, nail the back panel in place.

Note: It is essential to place the furniture straight/squared to avoid problems with the functioning and alignment of the Drawers and Doors.

Attention: Ensure that when nailing the back parts in place, that it is being nailed as straight as possible to the top and sides.  
Failure to do so can make the drawers appear crooked.

## STEP 50

### Drawer installation

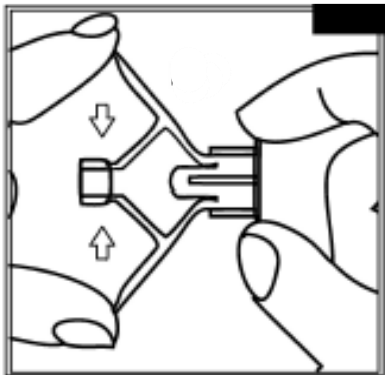


Insert the slide into the profile and close the drawer to finish locking the clip.

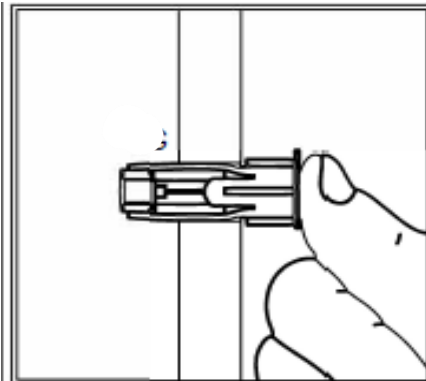
## STEP 51

NOTE: Do not turn the DRYWALL ANCHOR into a 10 fasten the SAFETY ANTI-TIPPING

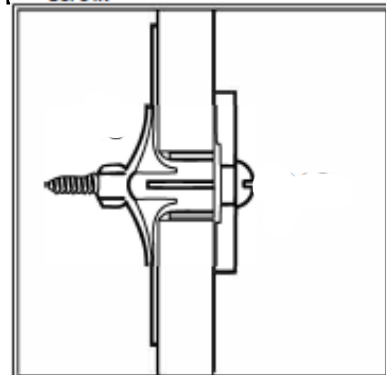
Compress the wings of anchor before inserting.



Insert the chuck into the hole of the base material.

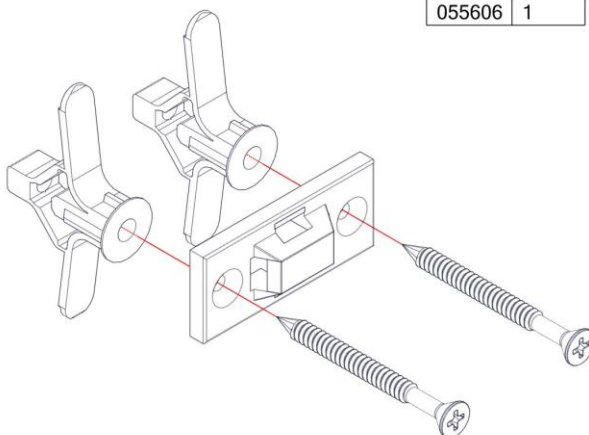


Position the object over the bushing and secure it with a screw.



WALL

Cód.	Qtde.
032069	2
051980	2
055606	1



### Important

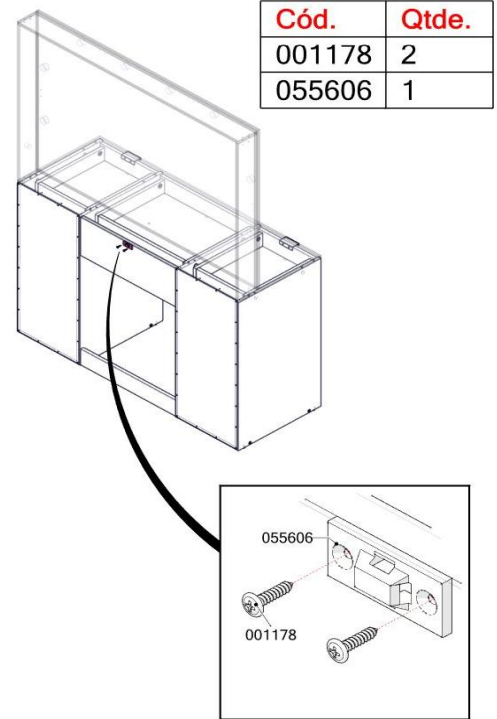
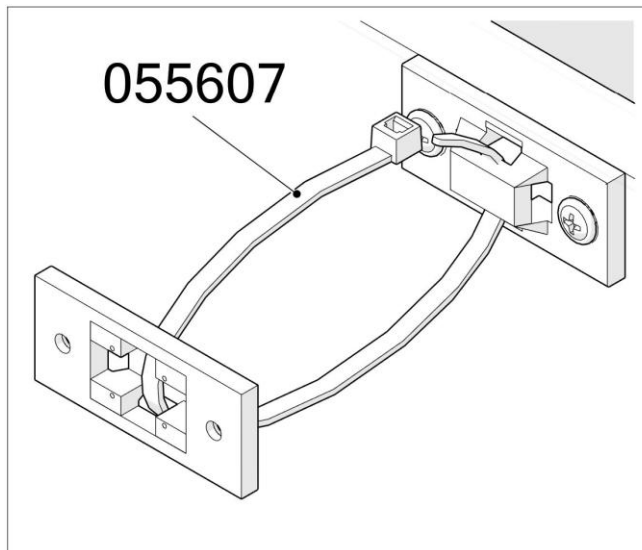
The minimum length of the screw must be the bushing length + object thickness that will be fixed.

To guarantee the wing expansion function of the bushing, after the screw head is at the object to be fixed, one must continue to rotate the screw until maximum torque is reached.

Pierce the base material a 0.39 in. drill.



## STEP 52



### A WARNING – Anti-Tip Advisory

Potential of serious fatal crushing injuries may occur from furniture tip-over. To help prevent tip-over:

**ALWAYS INSTALL** the tip-over restrain that came with your furniture. This tip-over restrains only reduces but does **NOT** completely eliminate the risk of tip-over

- **ALWAYS** Place the heaviest items in the lowest/bottom drawer.
- **NEVER** place heavy objects on top of this product.
- **NEVER** allow children to scale/climb/hang on the drawers, doors, or shelves.
- **NEVER** open more than one drawer at a time.

### B ADVERTENCIA - Aviso antivuelco

Pueden producirse lesiones graves por aplastamiento mortales debido al vuelco de los muebles. Para ayudar a prevenir vuelcos:

- **SIEMPRE INSTALE** el sistema de retención que viene con sus muebles. Este sistema antivuelco solo reduce pero **NO** elimina por completo el riesgo de vuelco.
- **SIEMPRE** coloque los artículos más pesados en el cajón más bajo /inferior.
- **NUNCA** coloque objetos pesados encima de este producto.
- **NUNCA** permita que los niños escalen, trepen o se cuelguen de los cajones, puertas o estantes.
- **NUNCA** abra más de un cajón a la vez