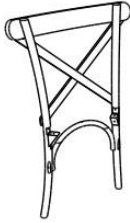








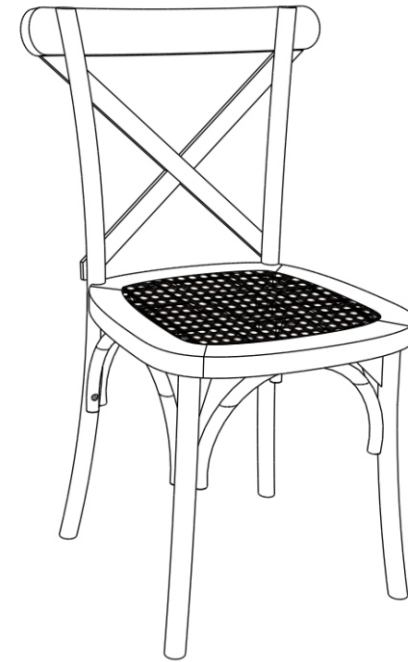


## Part List And Hardware List

PIECE	DESCRIPTION	PICTURE	QUANTITY
A	Back Rest		1x
B	Seat Frame		1x
C	Foot Connection Right		1x
D	Foot Connection Left		1x
E	Front Leg		1x
①	Coarse Screw	 50 mm	2x
②	Jcbc Screw	 M6 x 40mm	8x
③	Screw	 30mm	4x
④	Allen Key	 M4	1x

# Installation & Assembly

Product Dimension: 20,08"D x 20,08"W x 34,06"H





Persons required for assembly: 1 Person  
Total estimated time for assembly: 10 mins

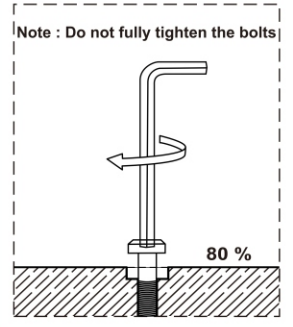
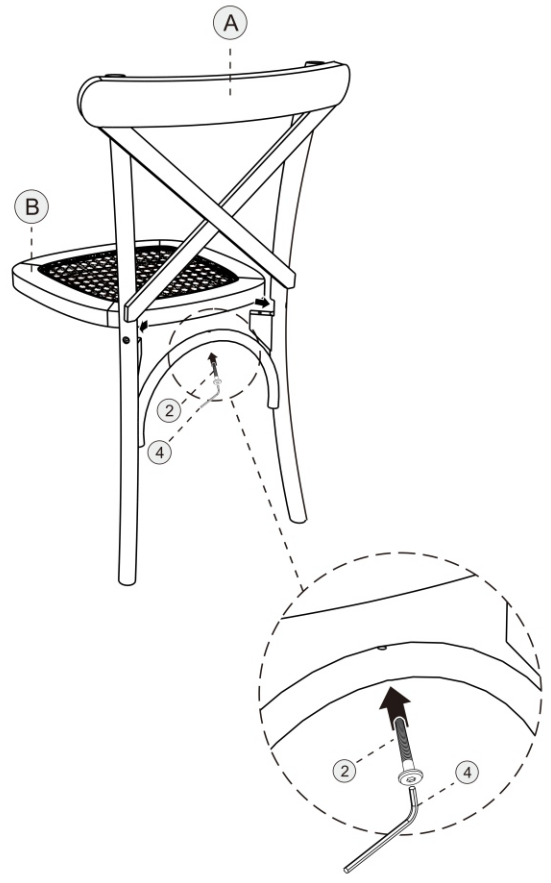
If there are any questions relating to defects, missing parts, assembly issues or replacements, please send a detailed email

Do not tighten every single screw until all screws are fitted into all holes, so that all screws fitted can be tightened together

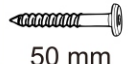
1

2		1x
4		1x

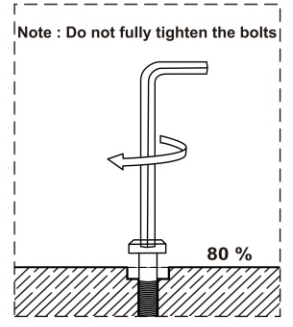
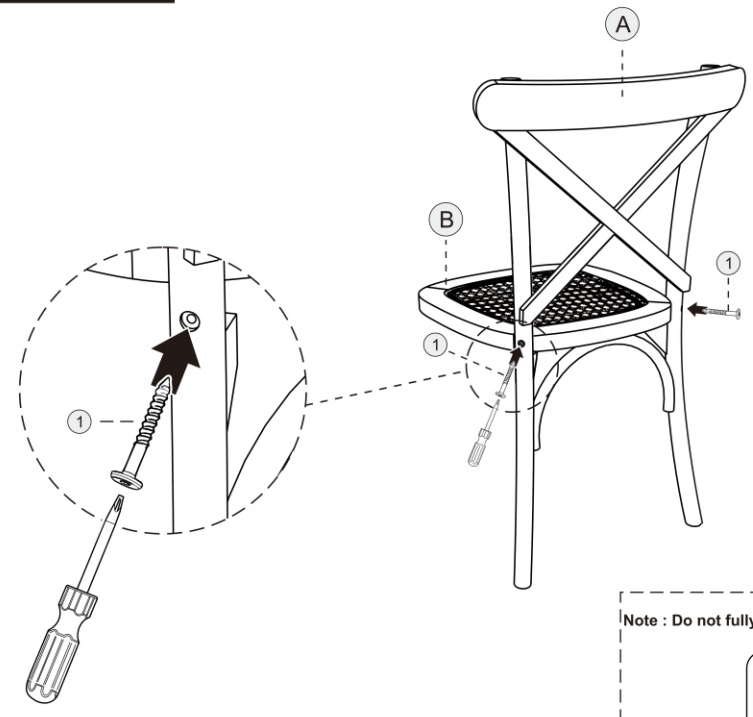
**!** NOTE: Please assemble the product according to the sticker colors and matching codes on the components



2

1		2x
---	---	----

**!** NOTE: Please assemble the product according to the sticker colors and matching codes on the components



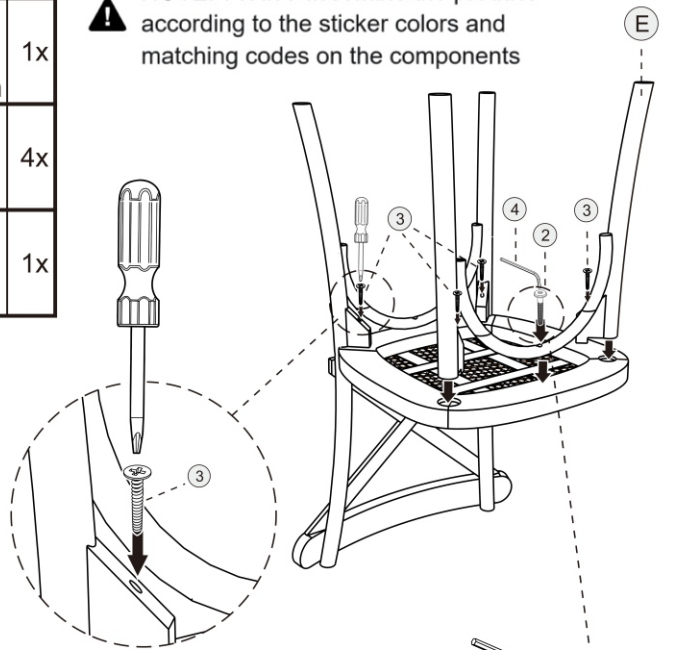
**3**

<b>2</b>		1x
	M6 x 40mm	

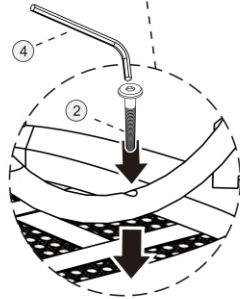
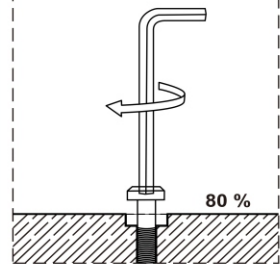
<b>3</b>		4x
	30mm	

<b>4</b>		1x
	Allen key	

**!** NOTE: Please assemble the product according to the sticker colors and matching codes on the components



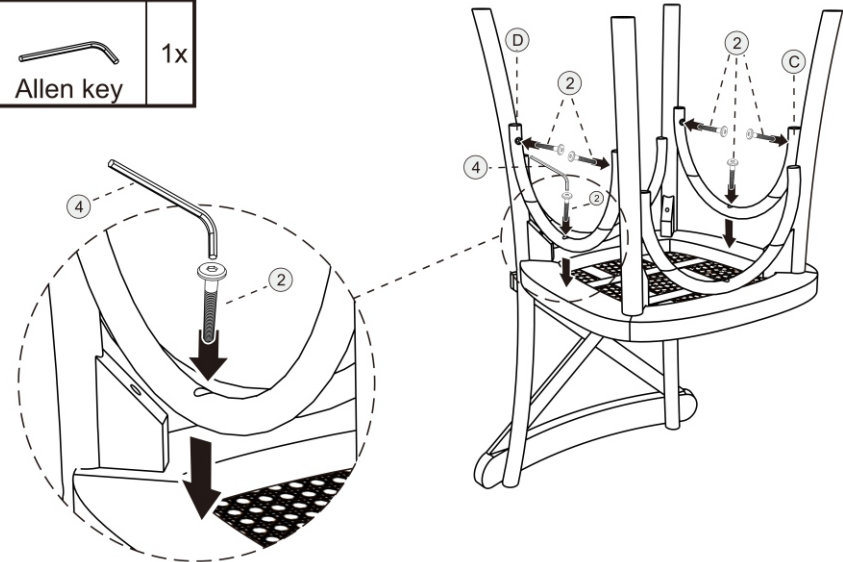
Note : Do not fully tighten the bolts

**4**

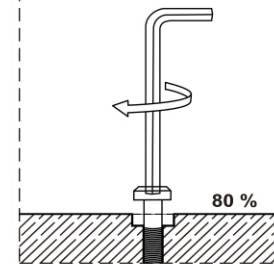
<b>2</b>		6x
	M6 x 40mm	

<b>4</b>		1x
	Allen key	

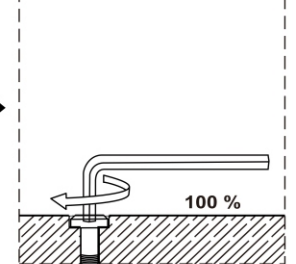
**!** NOTE: Please assemble the product according to the sticker colors and matching codes on the components



Note : Do not fully tighten the bolts



Note : Fully tighten all bolts



5

