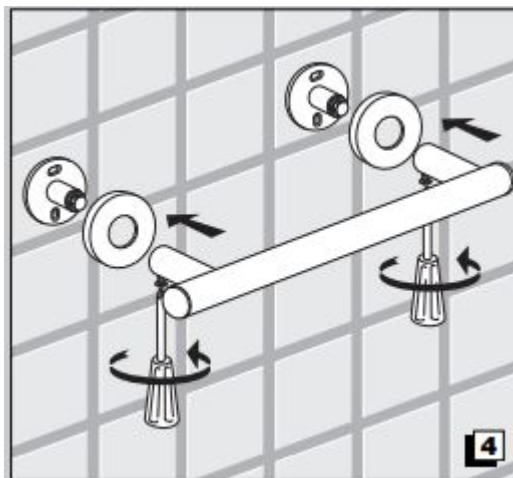
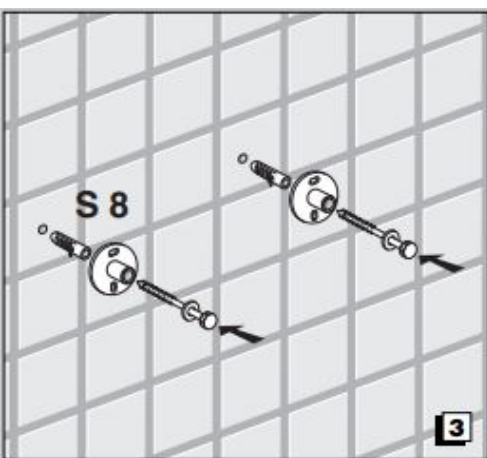
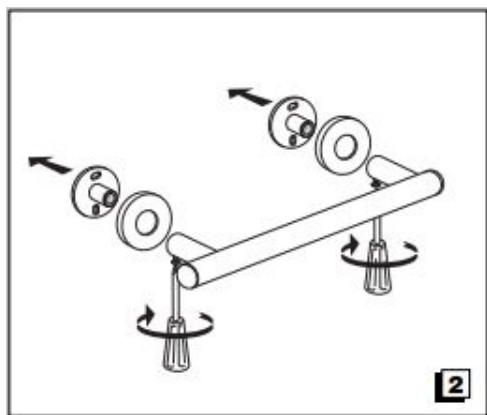
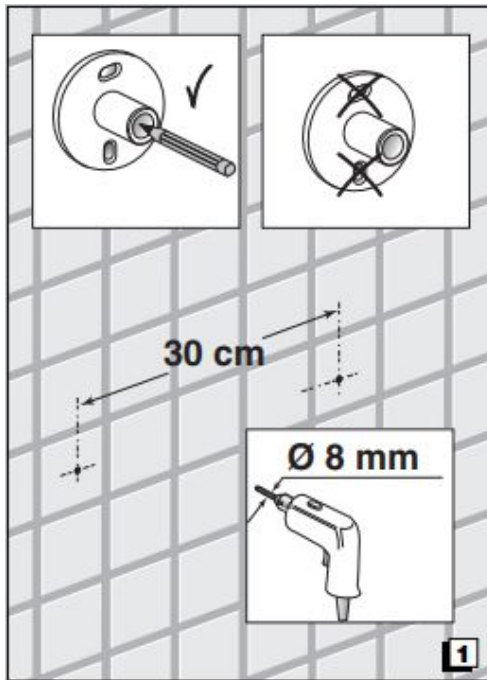


Installation Instructions



INSTALLATION

- **Installation should be performed by specialised personnel**
- **To mount, use the central hole of the wall bracket support only.**
- Be sure that the wall where the brackets have to be mounted grants suitable compactness and resistance characteristics.
- The best results can be obtained by mounting on walls in beton or bricks, plastered and in case lined with tiles.
- If the wall is not built in beton or bricks, consult a specialist before installation.
- Drill with a bit as shown in the pictures and make sure they are free of dust before inserting screw anchors. Screw tight.

CLEANING

Quality, technological processes and materials are the features that determine the high standards of our accessories.

However, to avoid surface alterations, it is necessary to follow a few guidelines.

Clean all finishes exclusively with soap and water, and dry with a soft cloth.

Do not use coarse cloths, abrasive products, acids, ammonia products, caustic substances, bleach or solvents.

In case of contact with these substances, rinse surfaces immediately and wipe dry.

Remember that even fumes can damage metal.

Wash accessories next to the toilet bowl at regular intervals to avoid corrosion.

Collection
Gealuna

Model |
Gealuna A10950

Dimensions Metric

1 inch = 2.54 cm
1 inch = 25.4 mm

WS[®]
BATH
COLLECTIONS

1051 Lea Drive - Collegeville, PA 19426
Tel. 215 513 9400 - Fax 610 831 0215

www.ws bathcollections.com - info@ws bathcollections.com