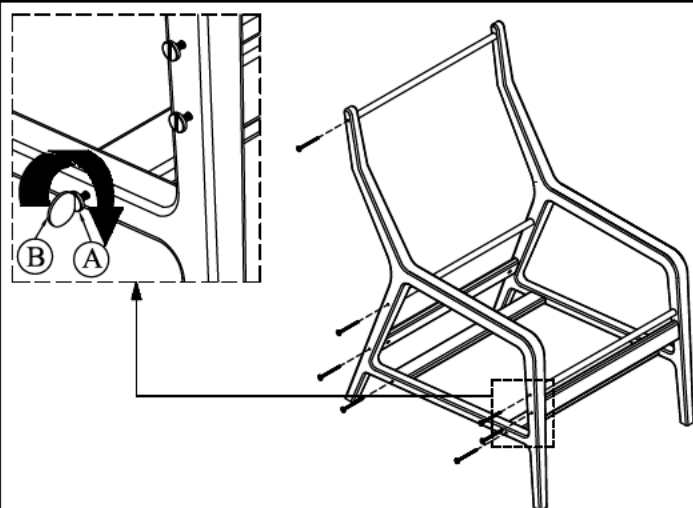
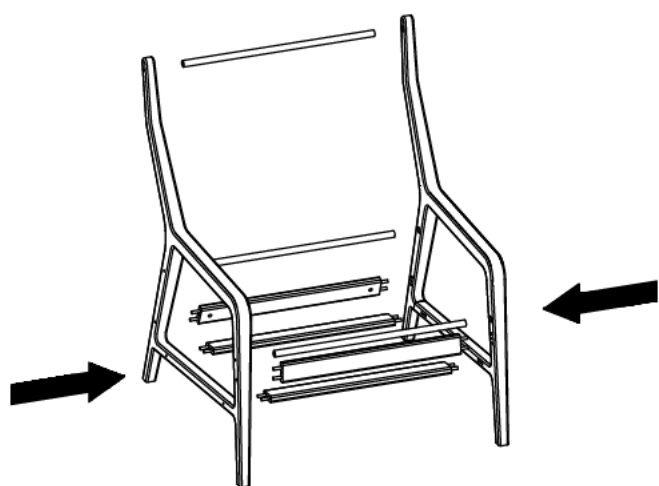
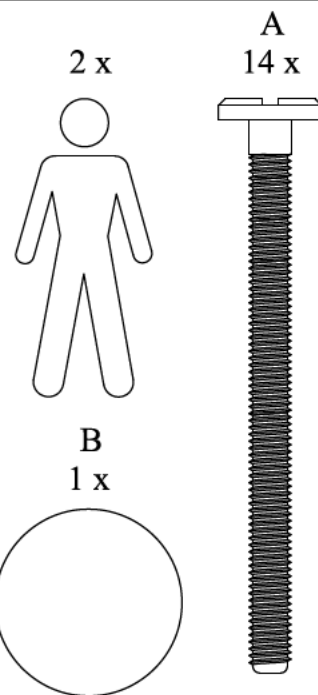
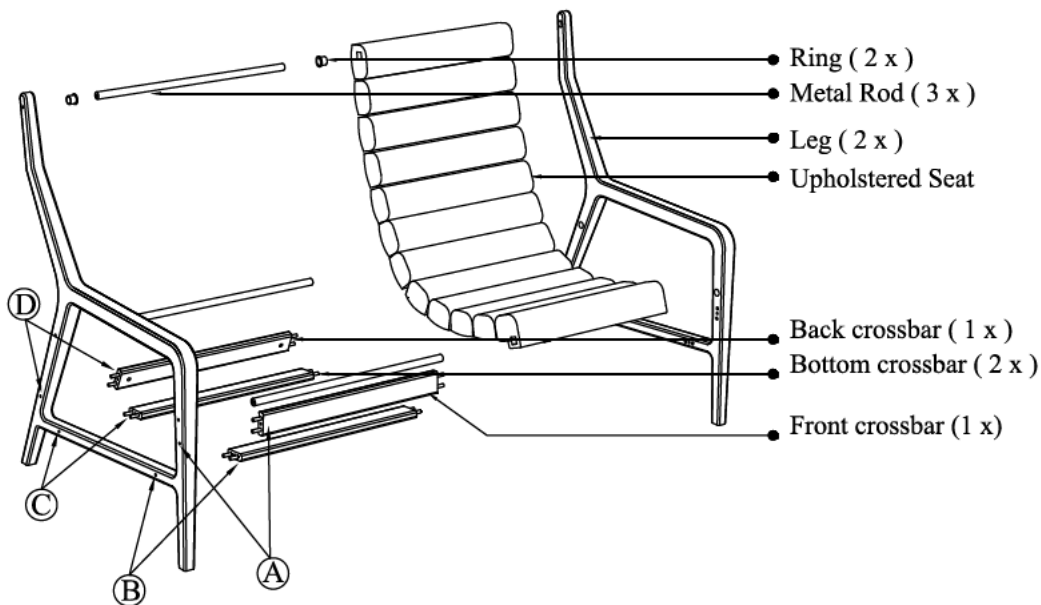


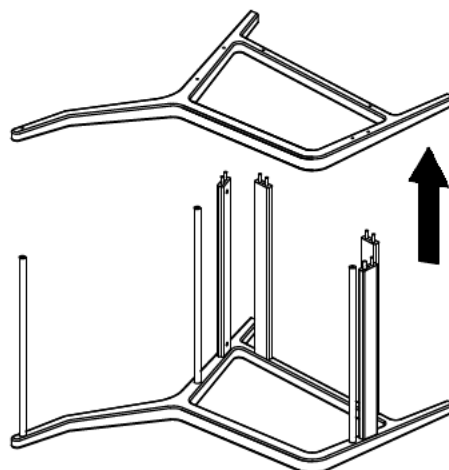
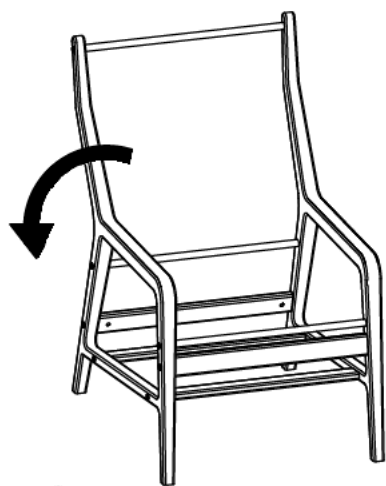
Assembling Instructions

1/2



1 - Assemble all pieces together following codes (A,B,C,D), except the upholstered seat

2 - Screw only 1 side of the chair using screw driver or accessory B

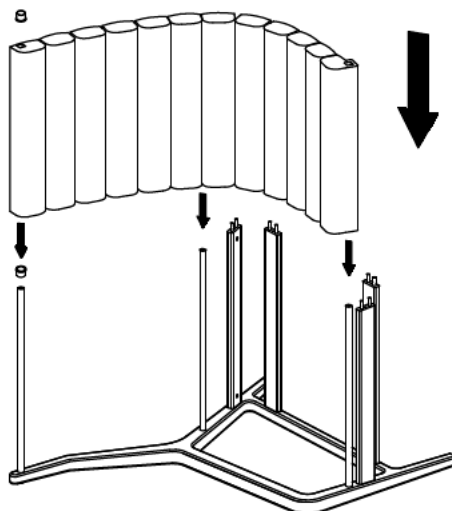


3 - Place the chair with the screwed side facing the floor and use the carton box as protection to avoid any damage

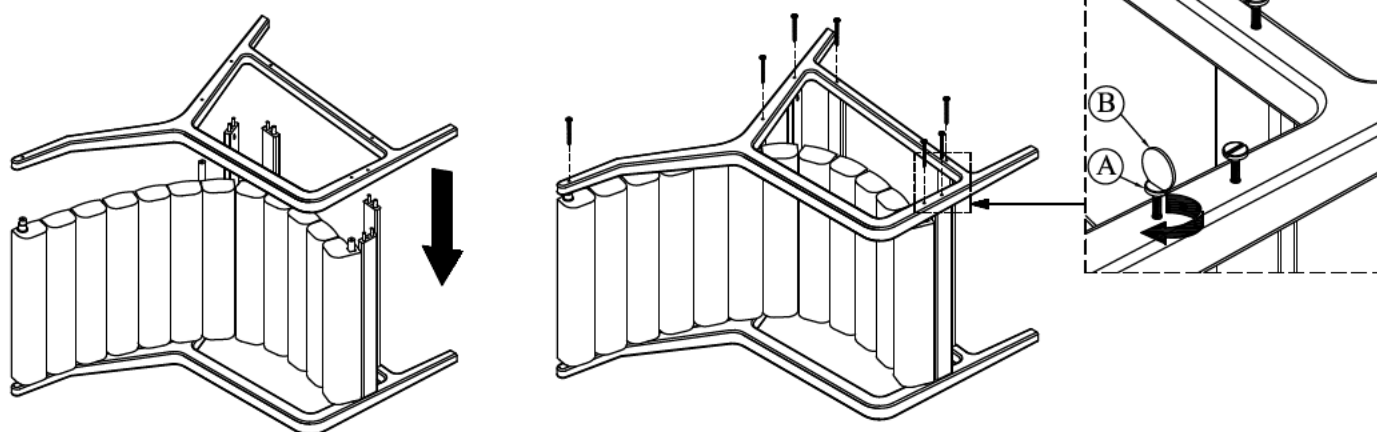
4 - Remove carefully the unscrewed leg

Assembling Instructions

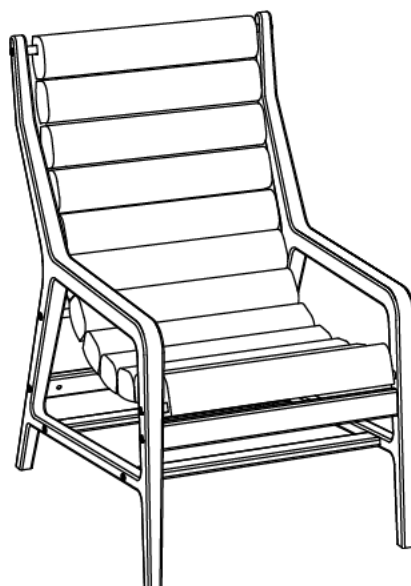
2/2



5 - Insert rings and the upholstered seat into the 3 metal rods



6 - Place and screw the second leg
- Put back the chair in normal position



7 - Take off the codes stickers
- Tight all bolts again before first use