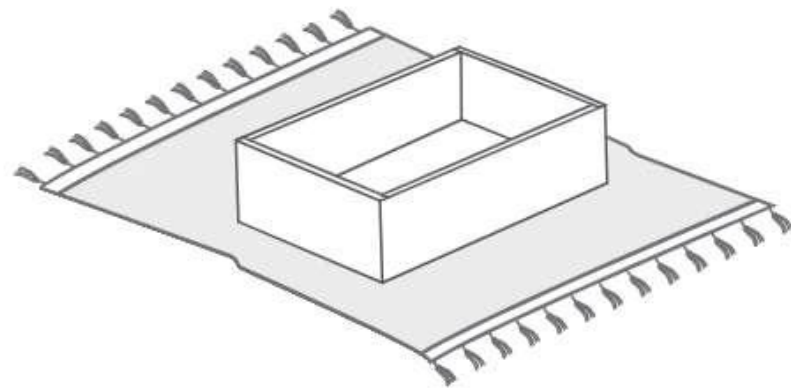
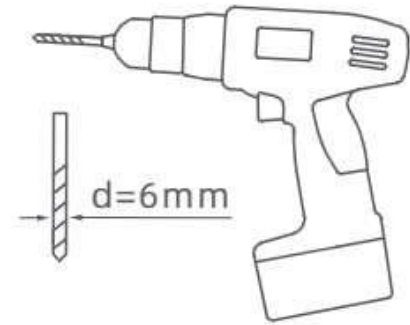
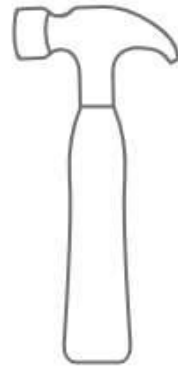
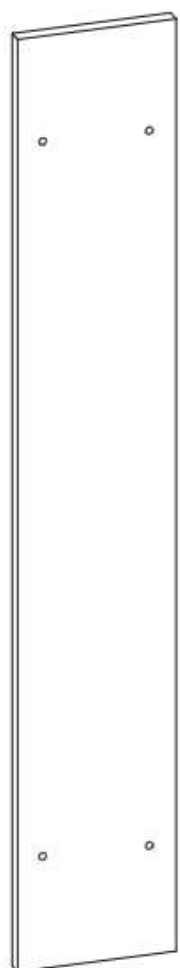


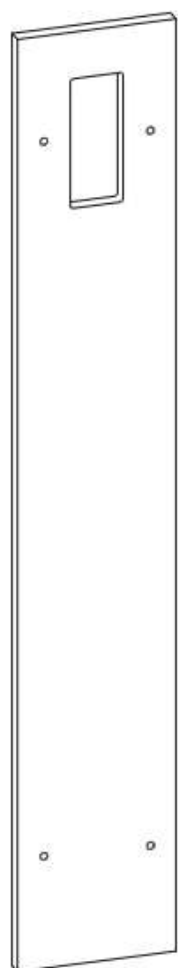
# ATTENTION



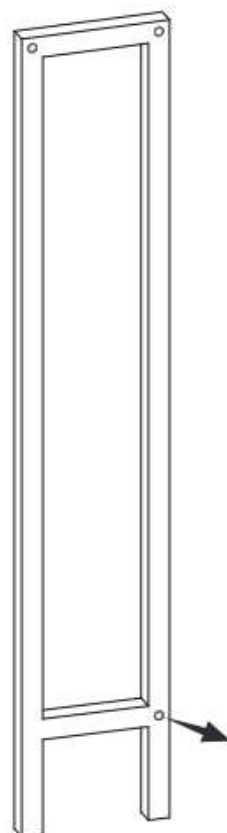
# PARTS LIST



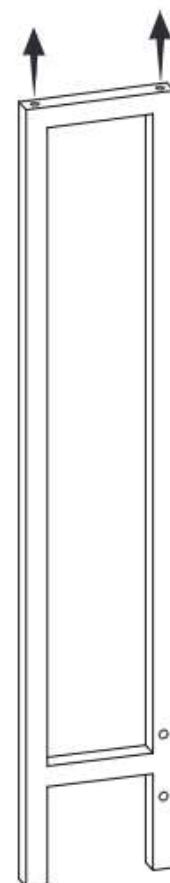
**1**x1



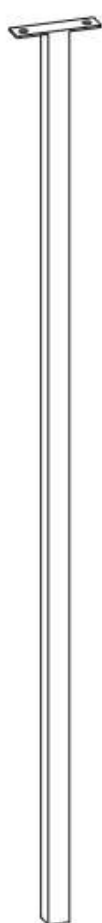
**2**x1



**3**x2



**4**x1



**5**x2



**6**x2



**7**x2

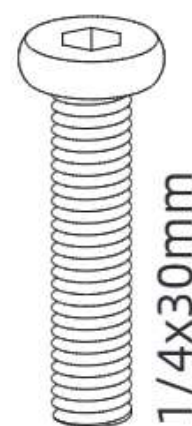
# HARDWARE LIST



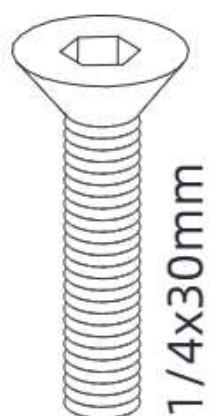
**A**x1



**B**x6



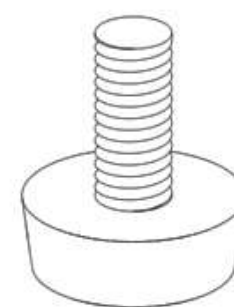
**C**x14



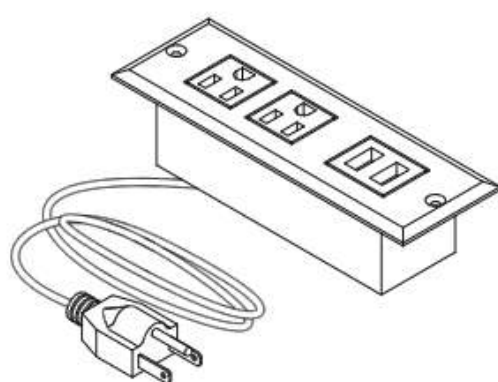
**D**x2



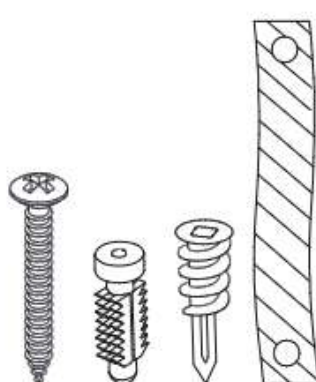
**E**x2



**F**x6

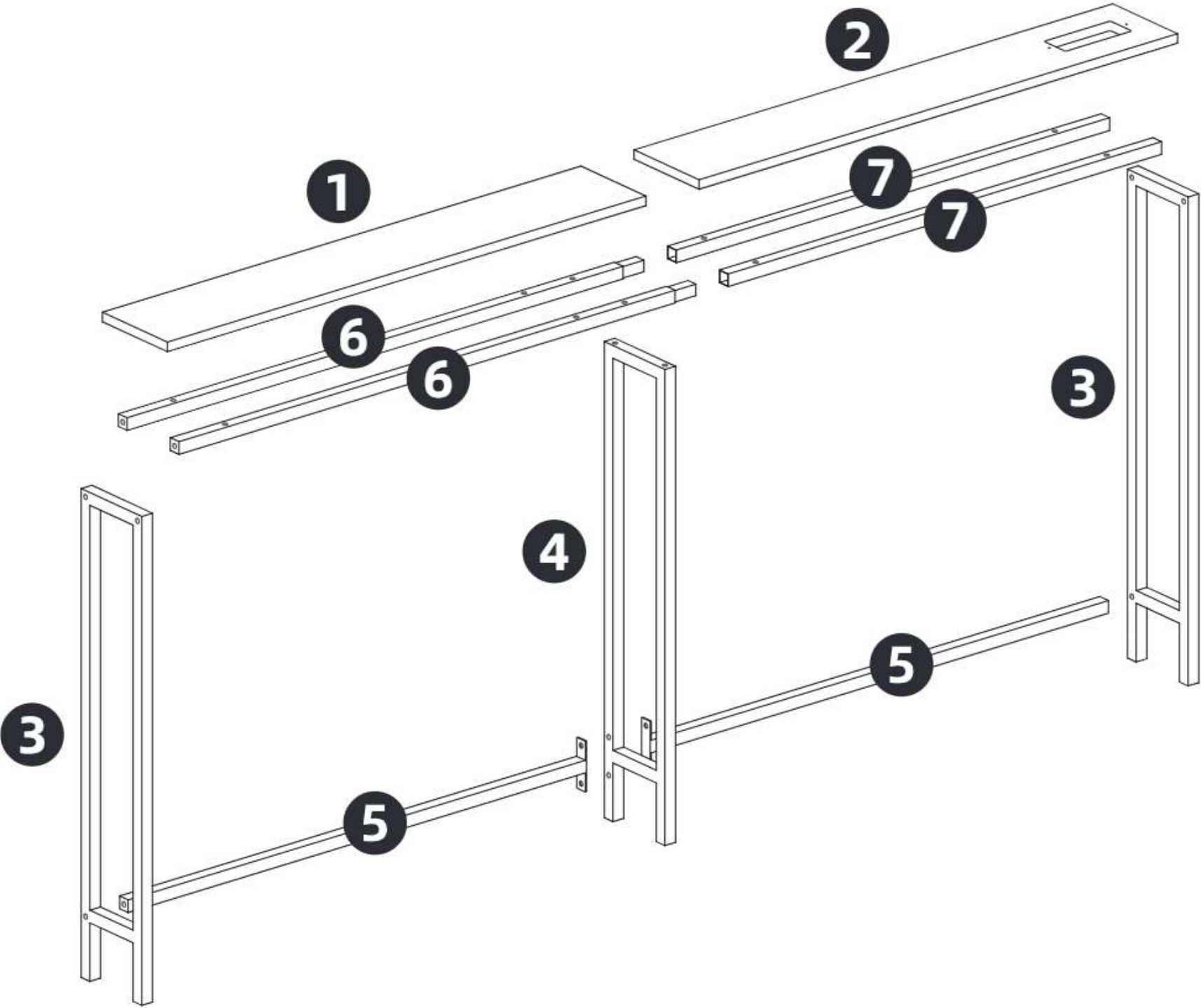


**G**x1



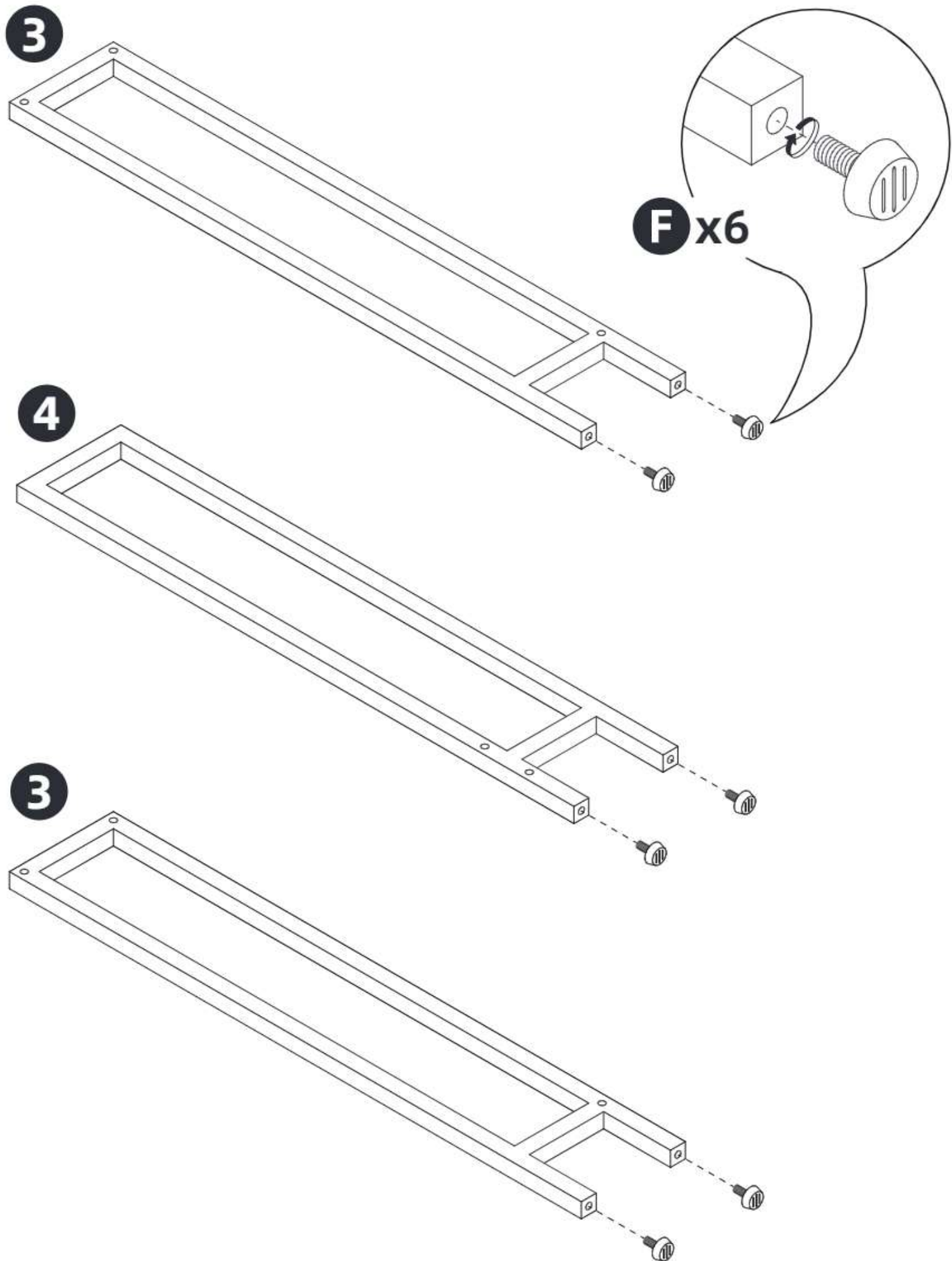
**H**x2

# EXPLODED

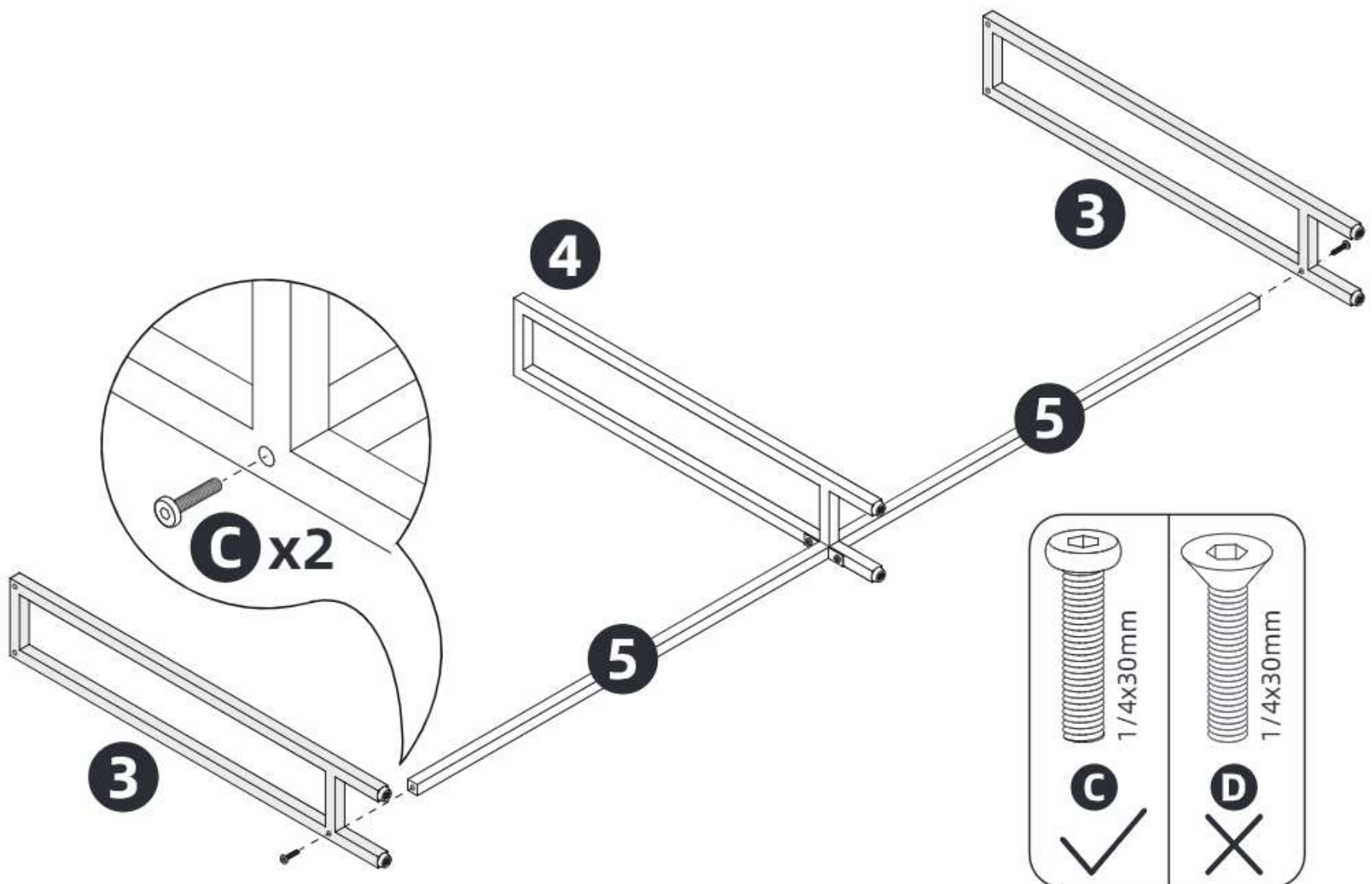
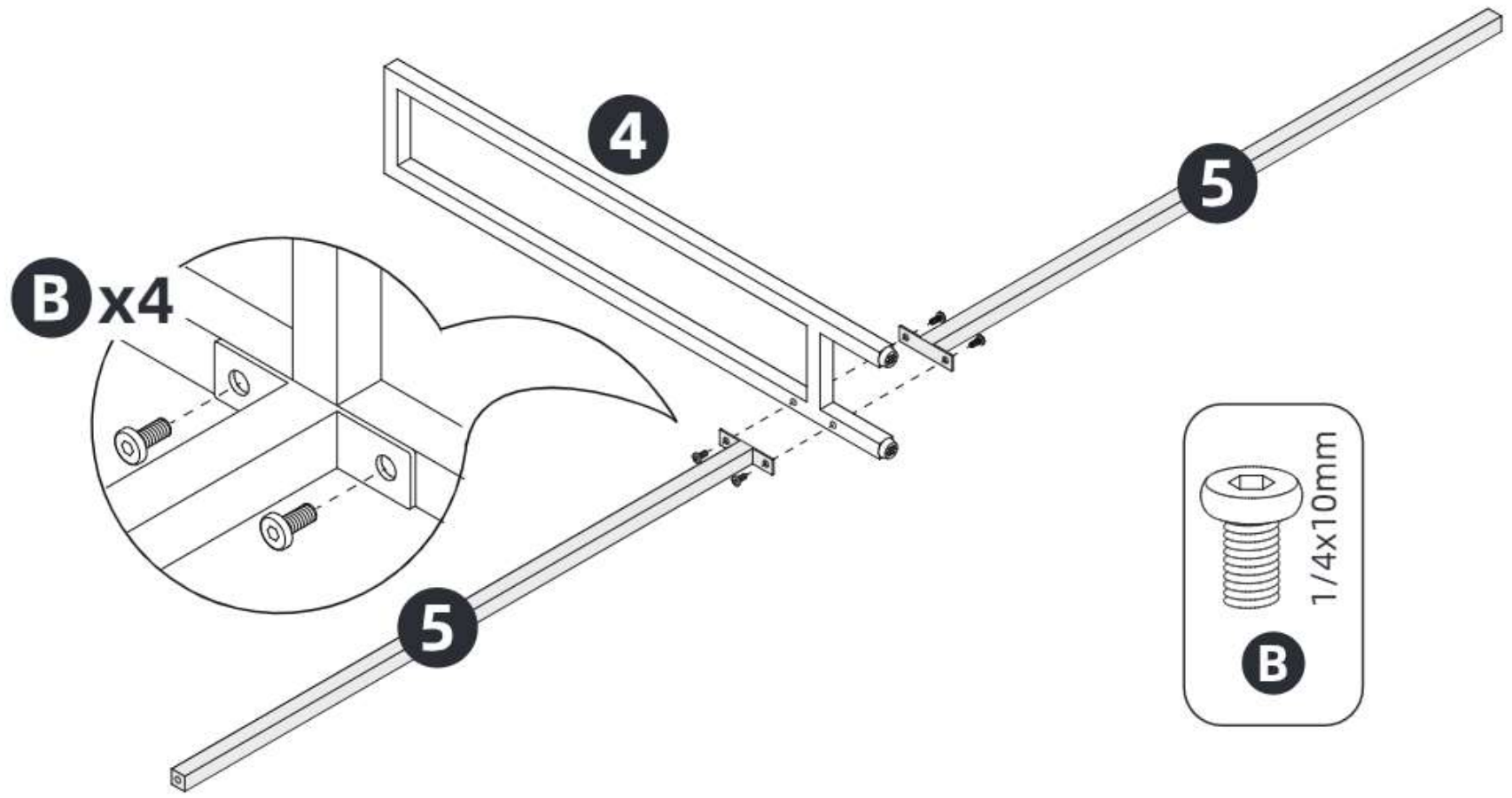


# 1 ATTENTION

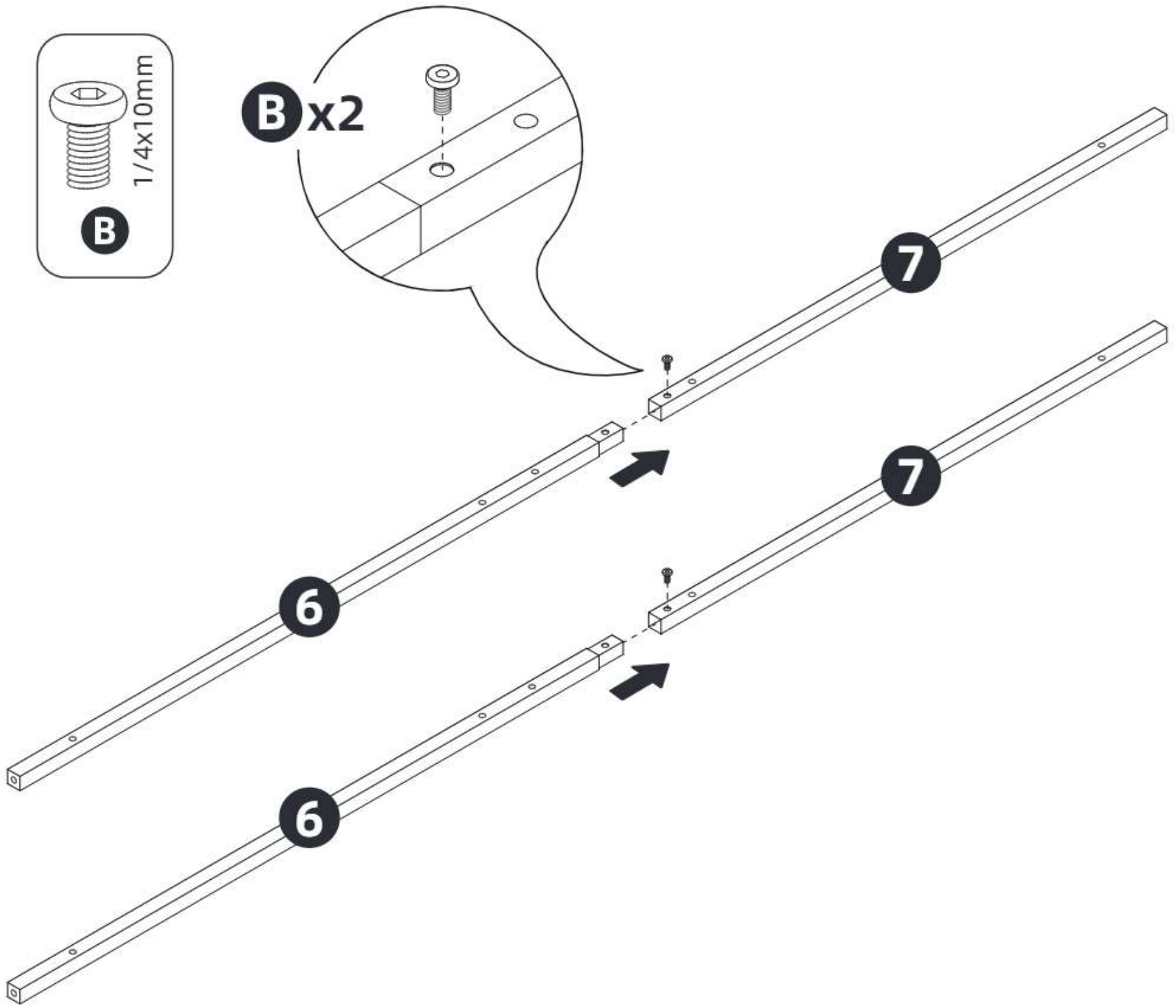
- During assembly, first loosely align all screws with the corresponding pre-drilled holes and then tighten the screws one by one.
- Note: It is recommended to complete the assembly on flat ground or carpet.



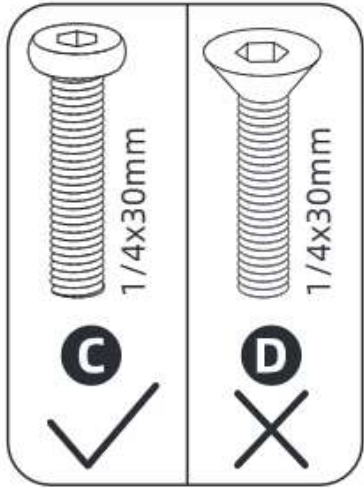
# 2



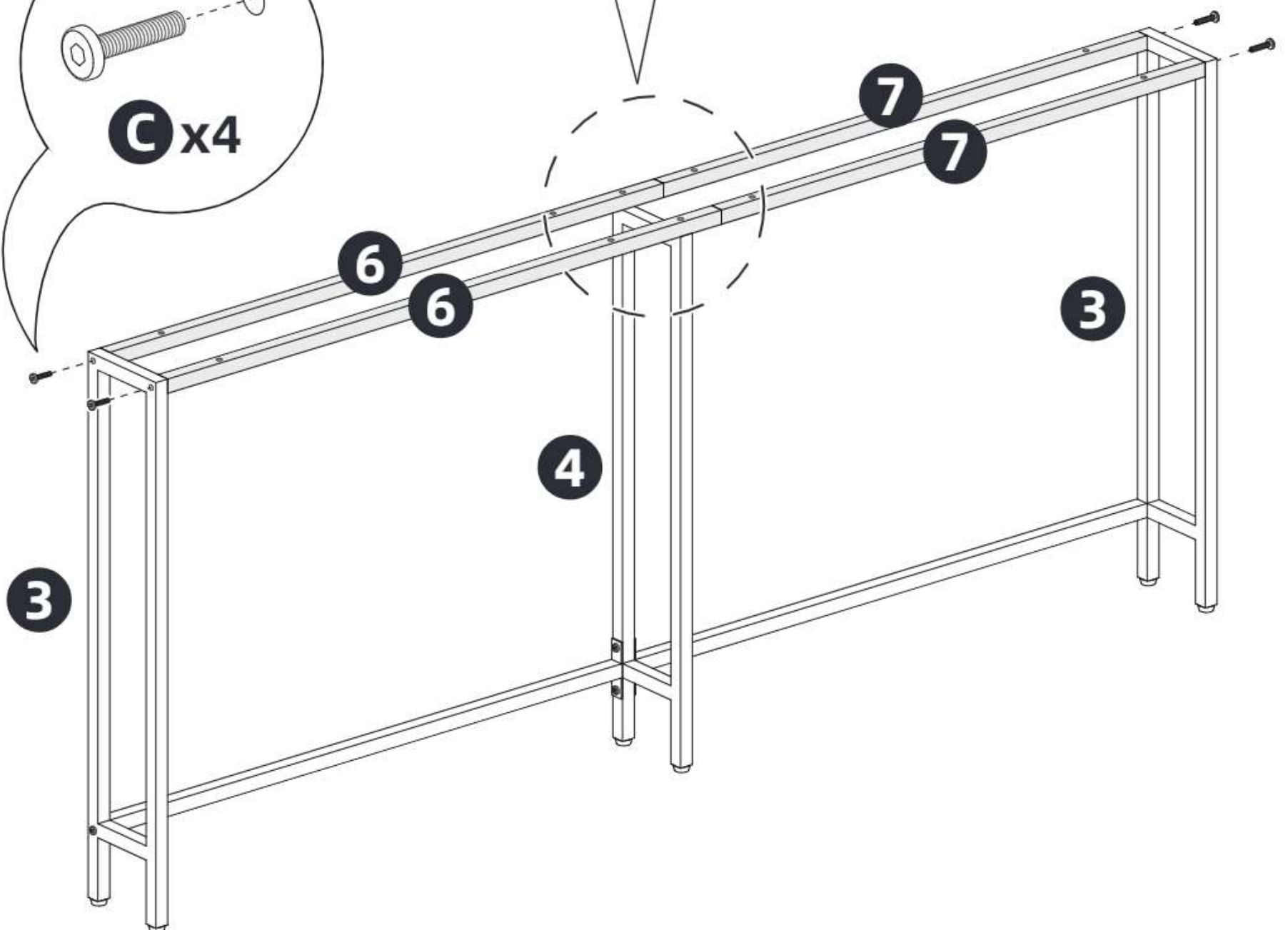
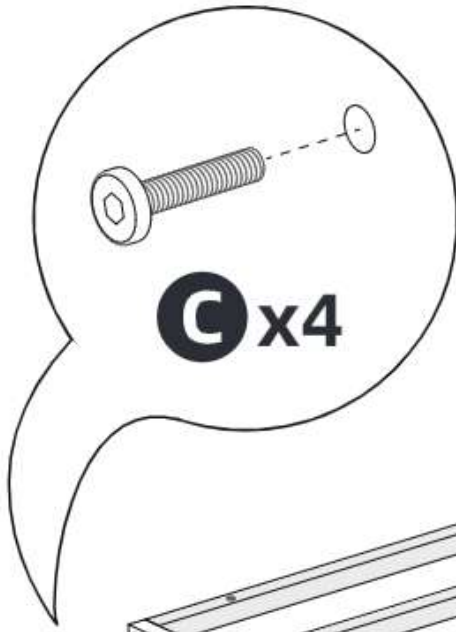
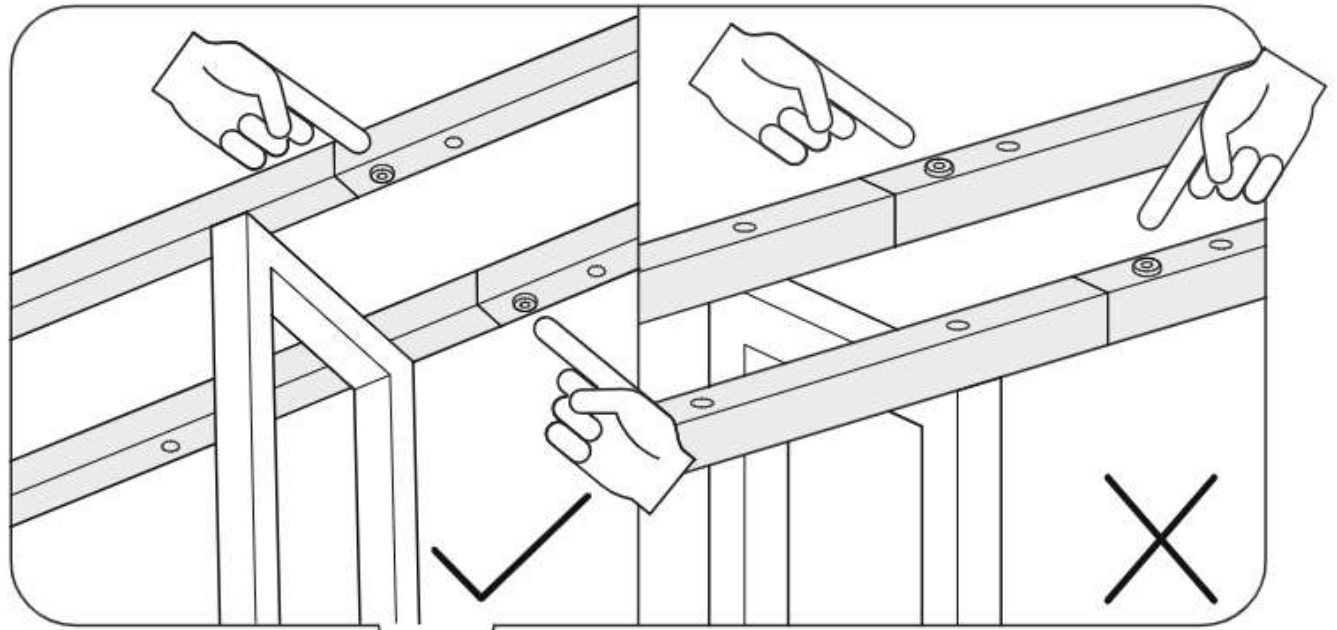
# 3



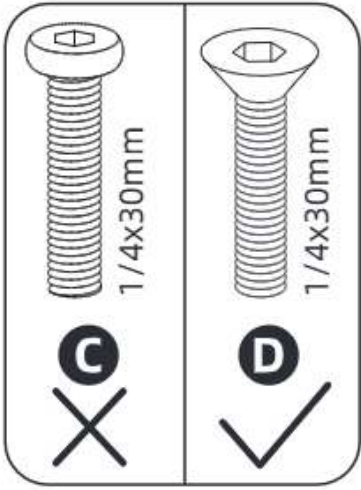
# 4



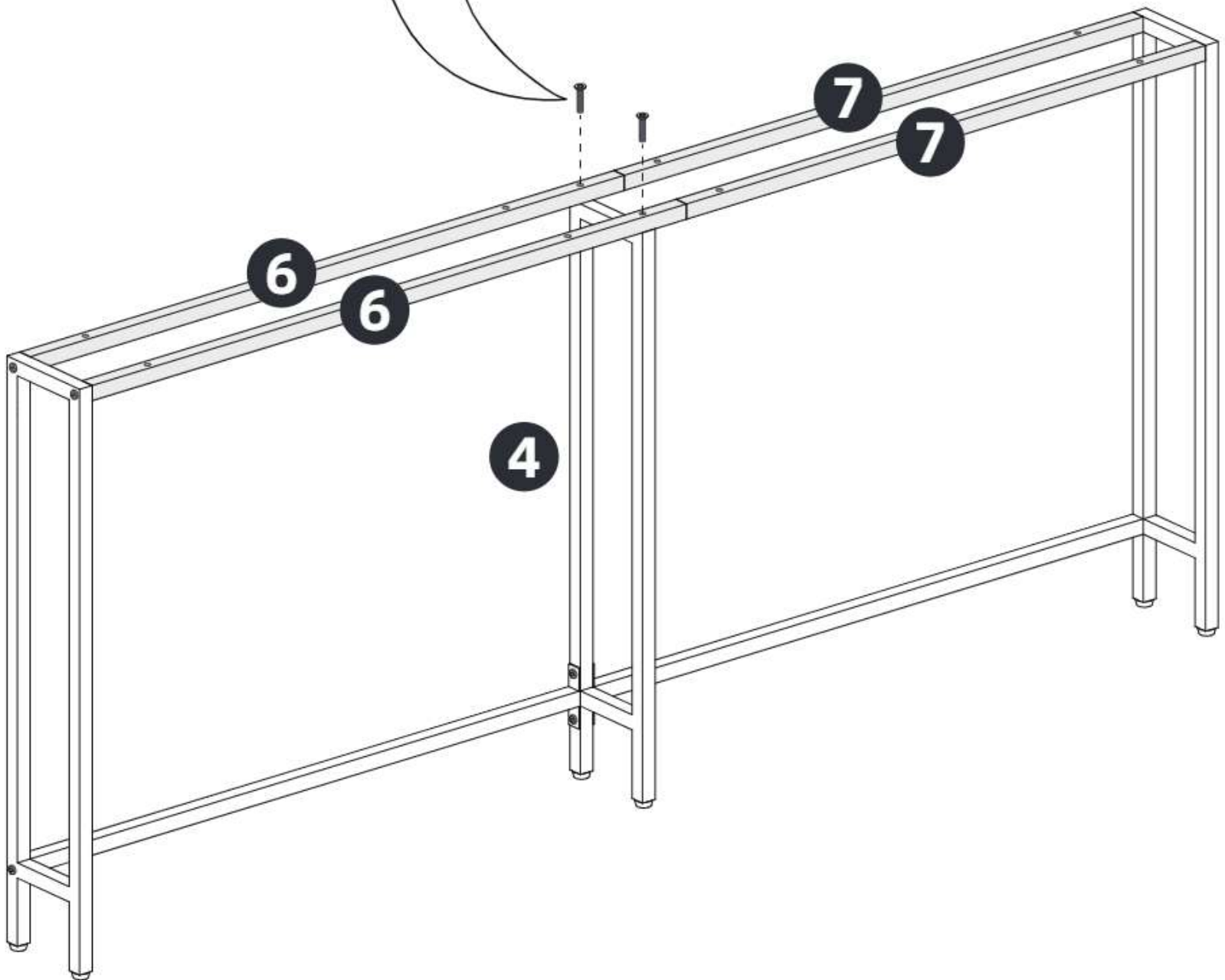
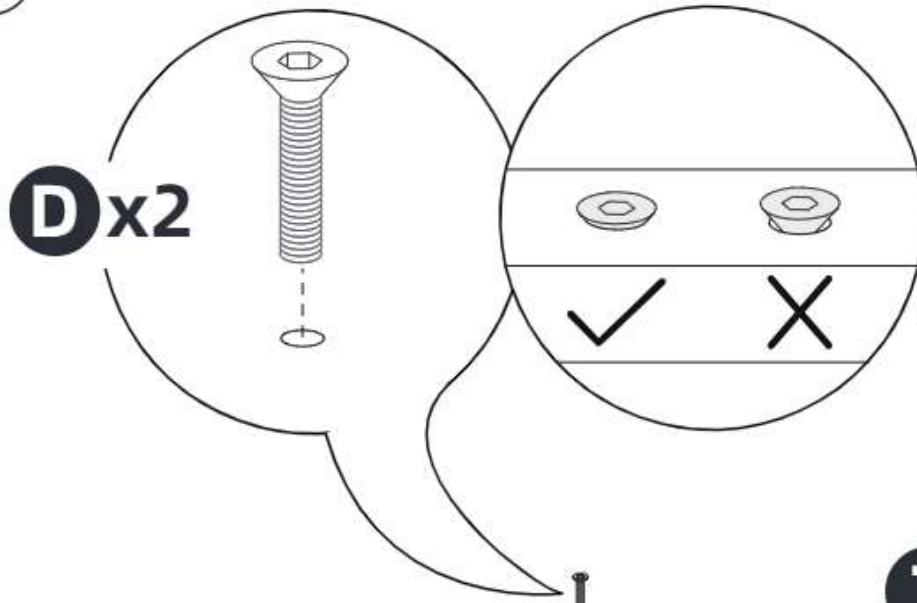
⚠ Please note the screws.



# 5



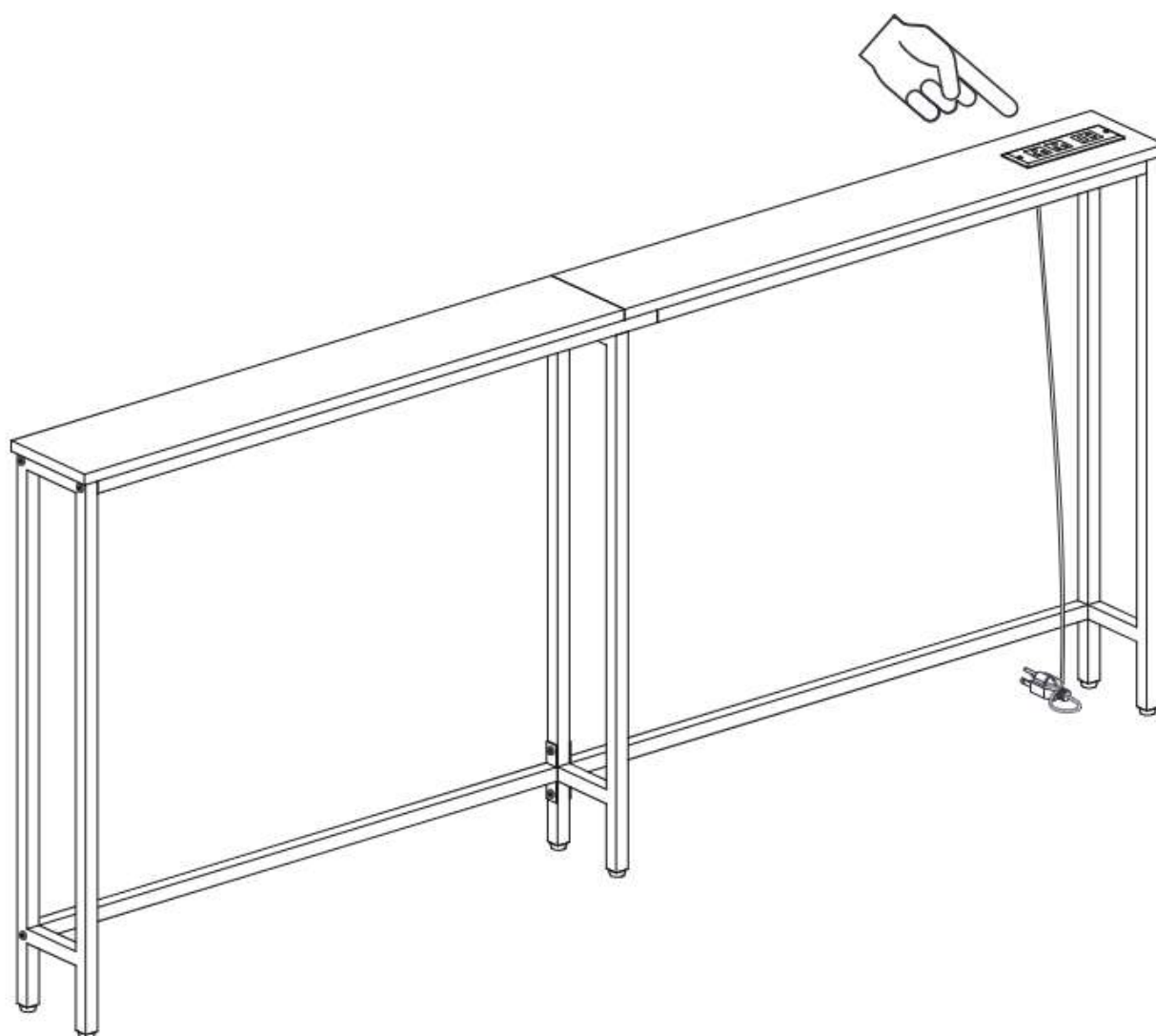
⚠ Tighten the screws completely



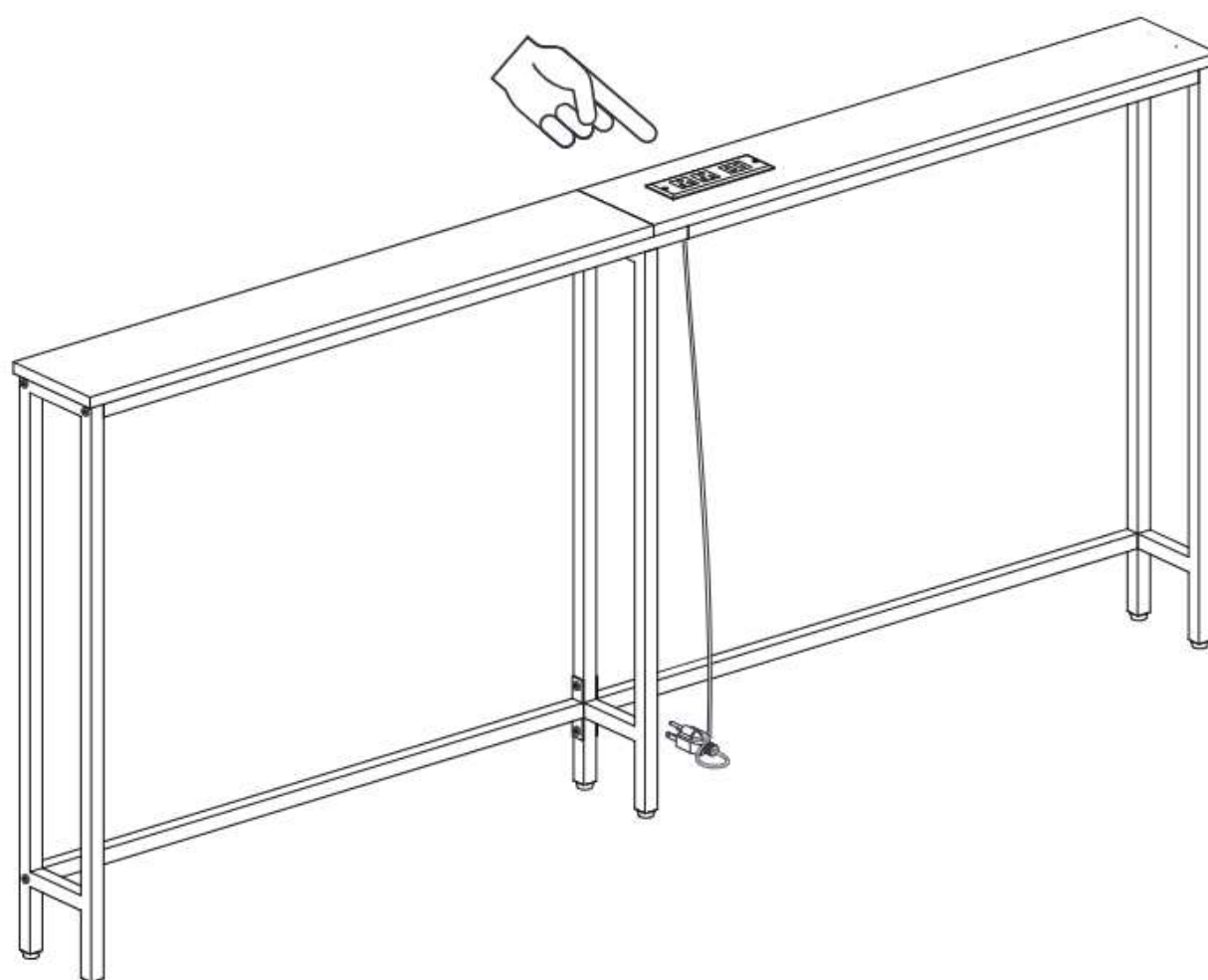
# 6 ADJUSTABLE

- Two assembly methods upon your needs.

## Method 1

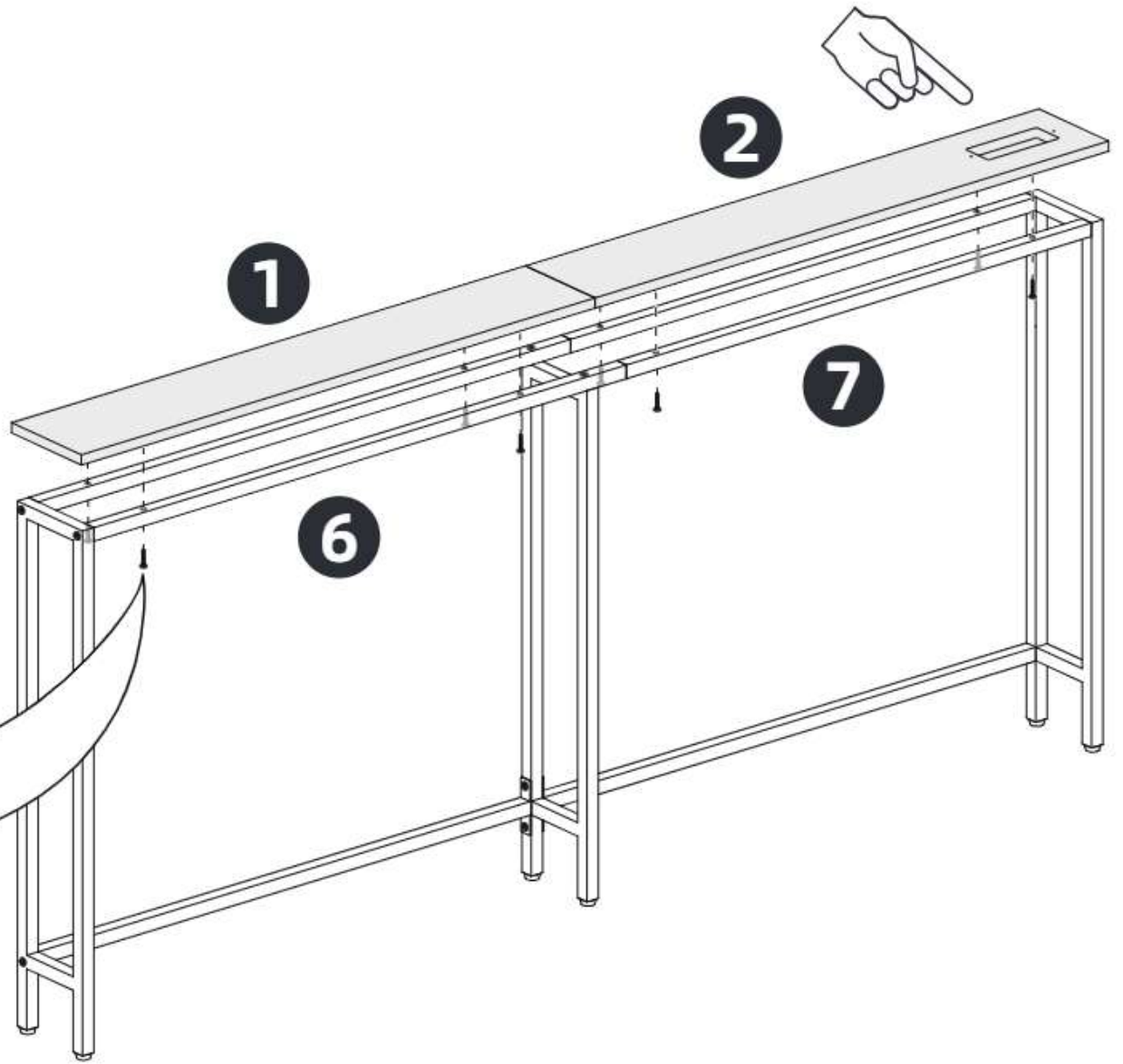
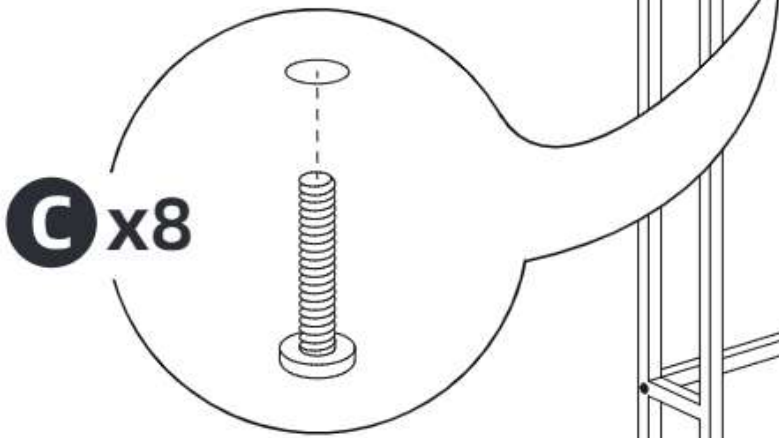
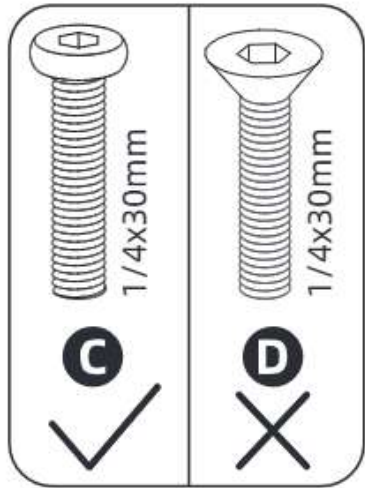


## Method 2

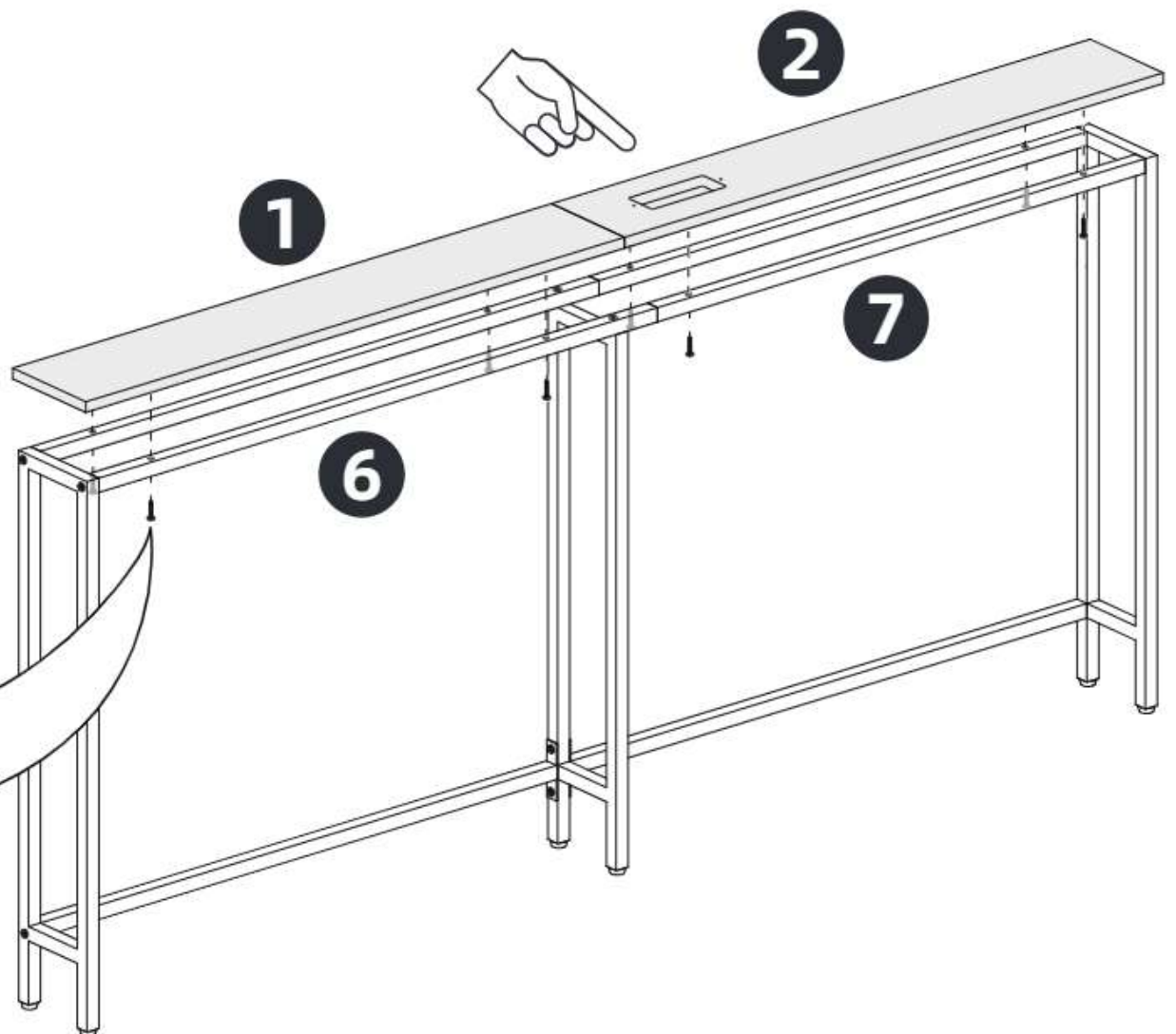
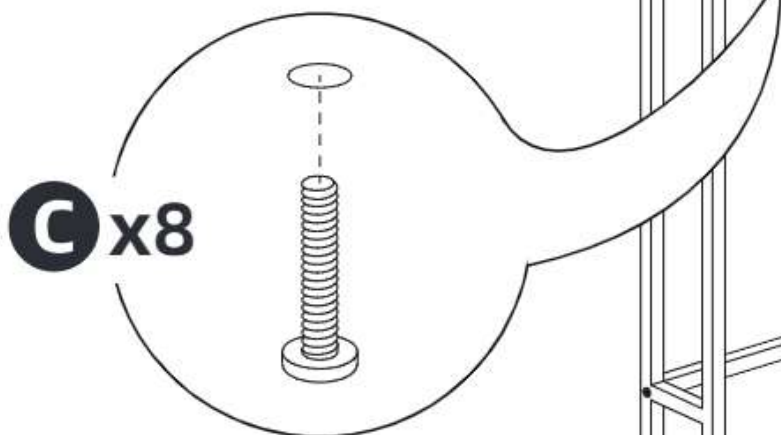
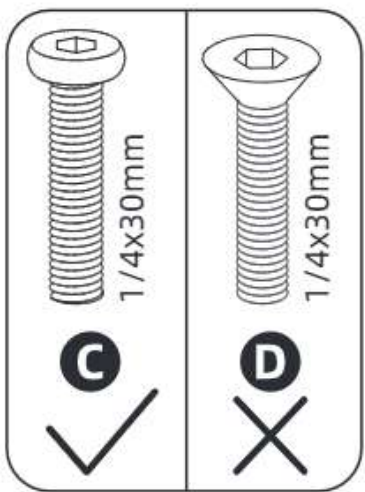


# 7

## Method 1

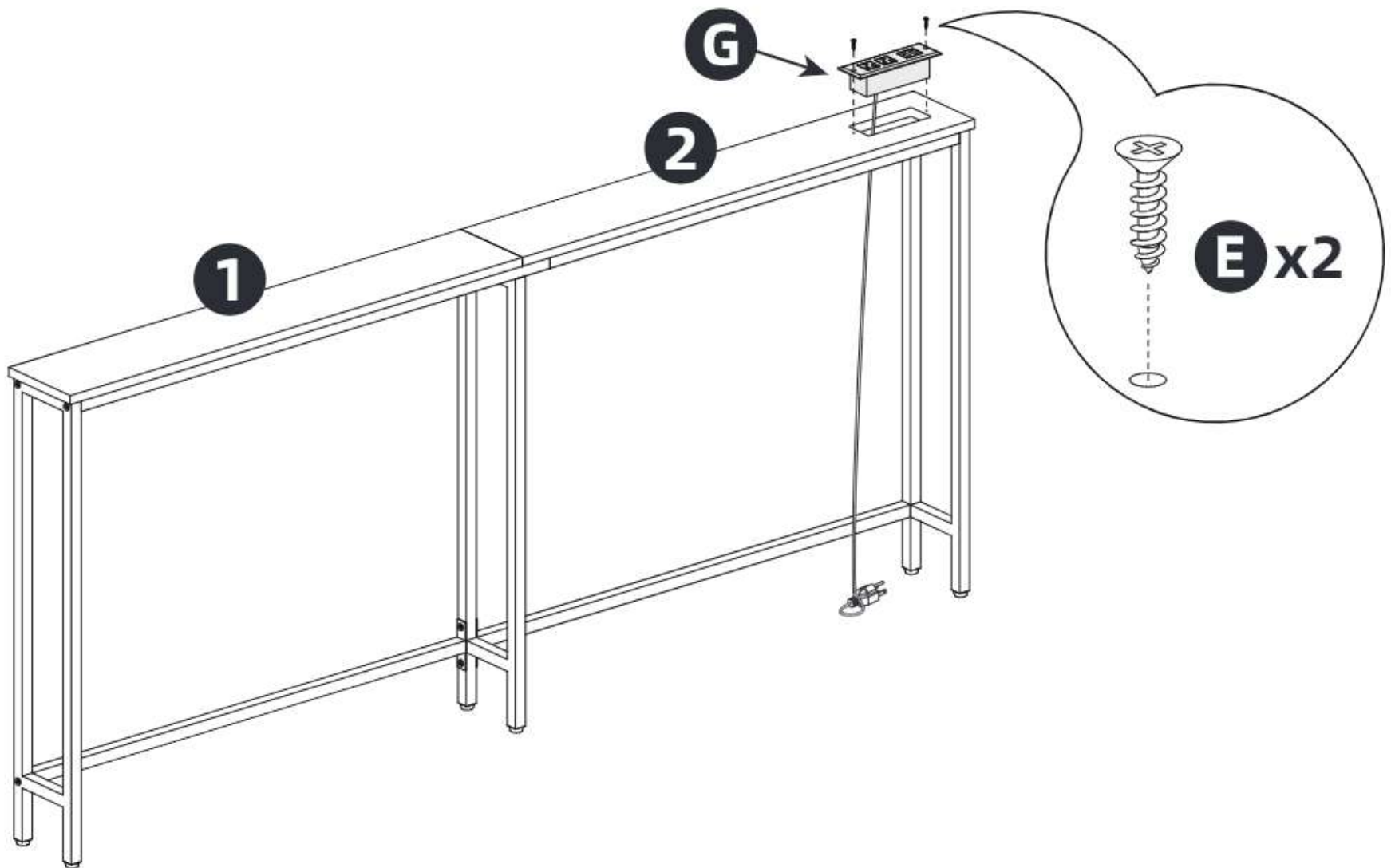


## Method 2



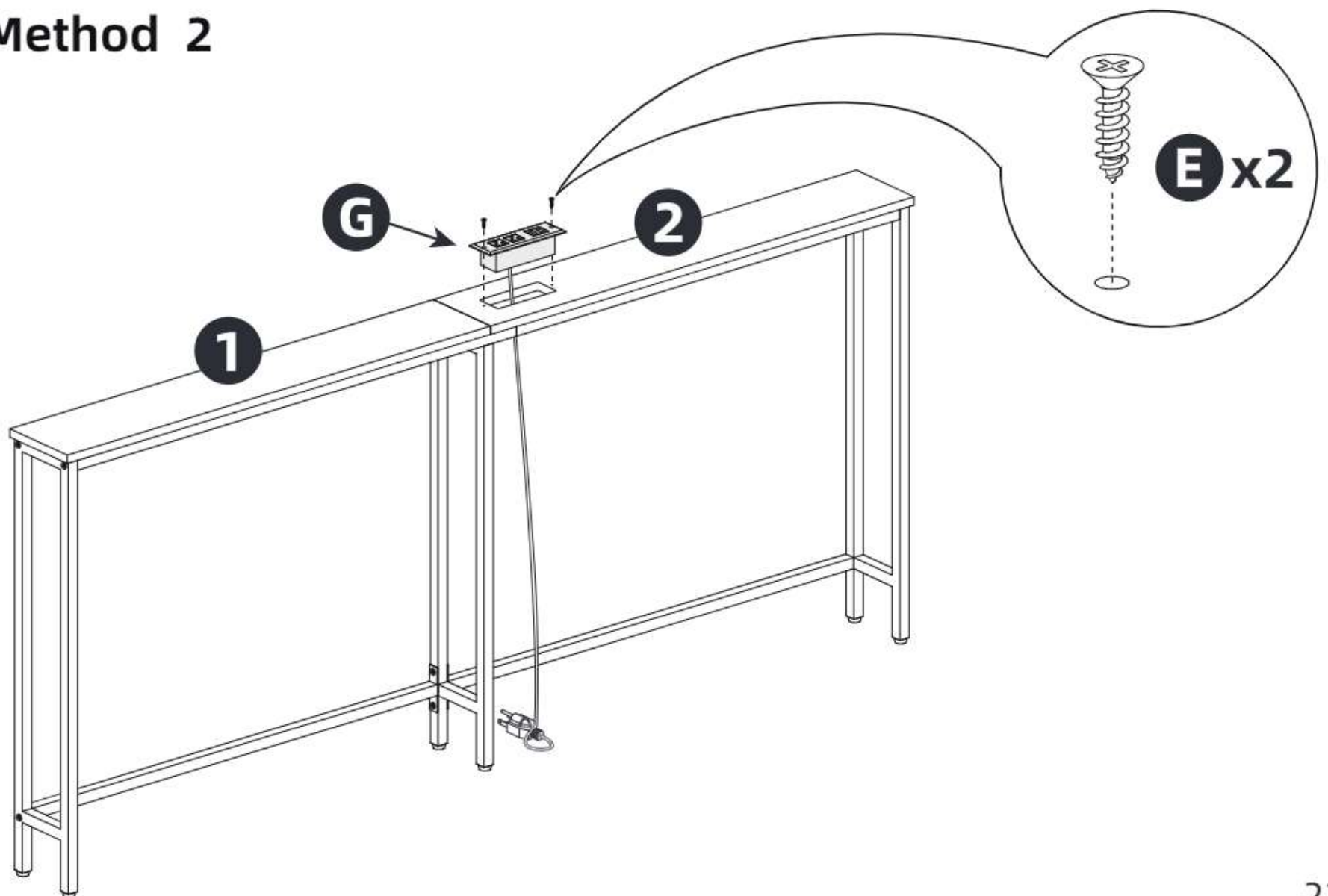
# 8

## Method 1



---

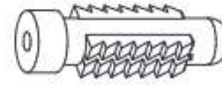
## Method 2



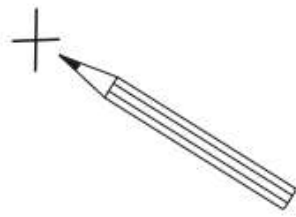
# 9 ATTENTION

- This product is equipped with two types of the expansion screws, please use the correct accessories according to the wall constructions.
- Check for hidden pipes and cables in the wall before drilling.

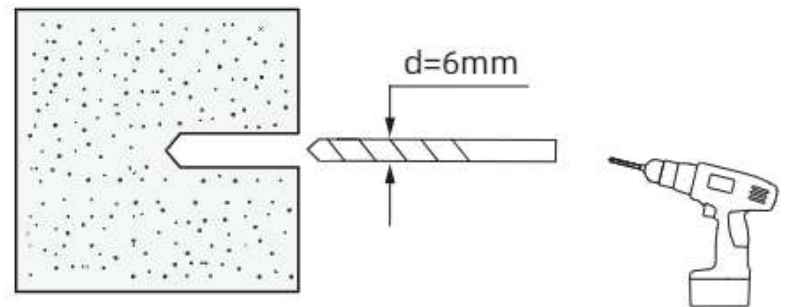
## Method 1: For solid or concrete wall.



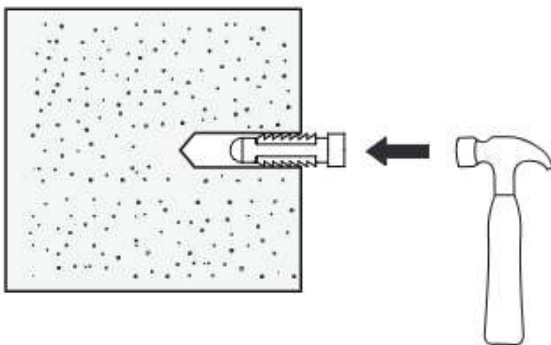
- ① Chose your desired location on the wall, have your friend hold the product in place and use a pencil to mark where the anchor will go.



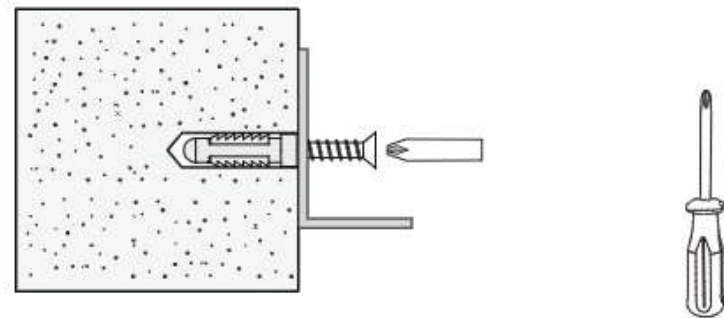
- ② Please pre-drill holes on the wall with a drill bit that's larger than the wall anchors.



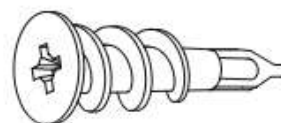
- ③ Push the wall anchor gently into the pre-drilled hole.



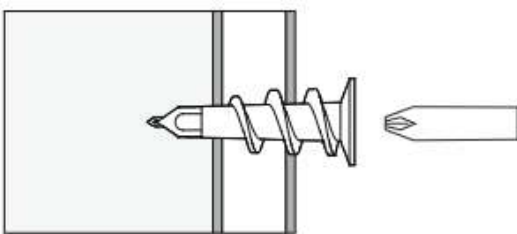
- ④ Drive the screws with a screwdriver into the wall anchor to complete the installation.



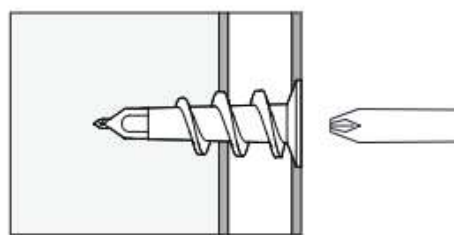
## Method 2: For hollow wall.



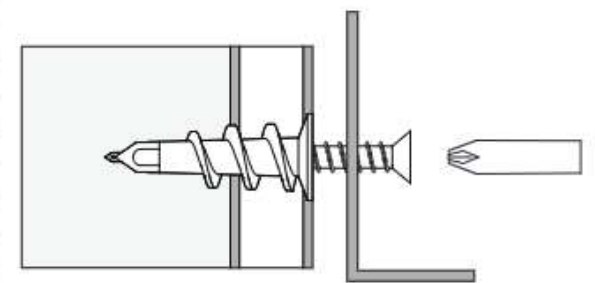
- ① Using a phillips screwdriver or drill bit, Press the anchor into your wall.



- ② Apply moderate pressure and screw the anchor into the wall until it's flush with the drywall.



- ③ Insert a screw into the item to be hung then drive that screw into the anchor.

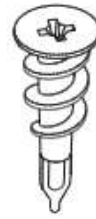


# 10 ATTENTION

- This product is equipped with two types of the expansion screws, please use the correct accessories according to the wall constructions.
- Check for hidden pipes and cables in the wall before drilling.

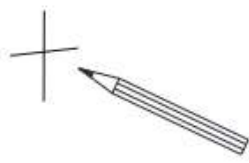


For solid or concrete wall.

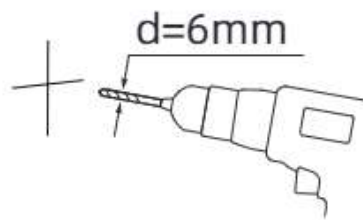


For hollow wall.

STEP 1



STEP 2



STEP 3



STEP 4

