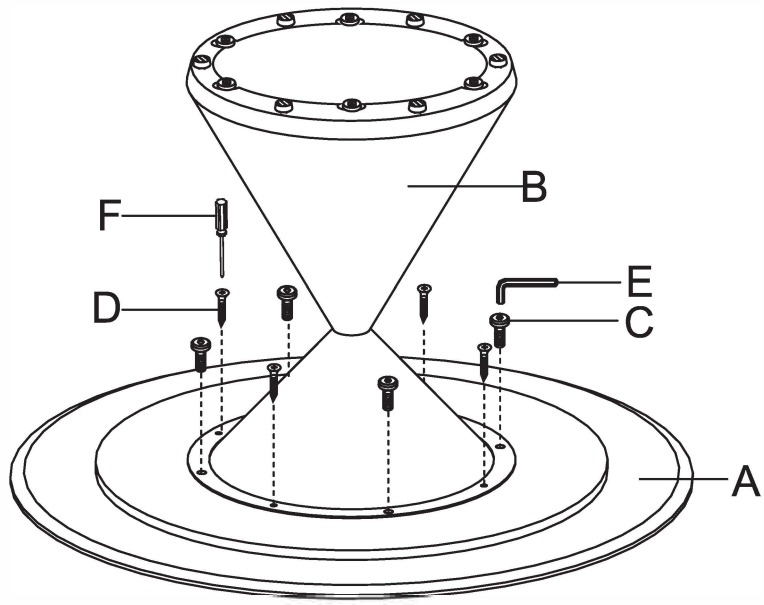
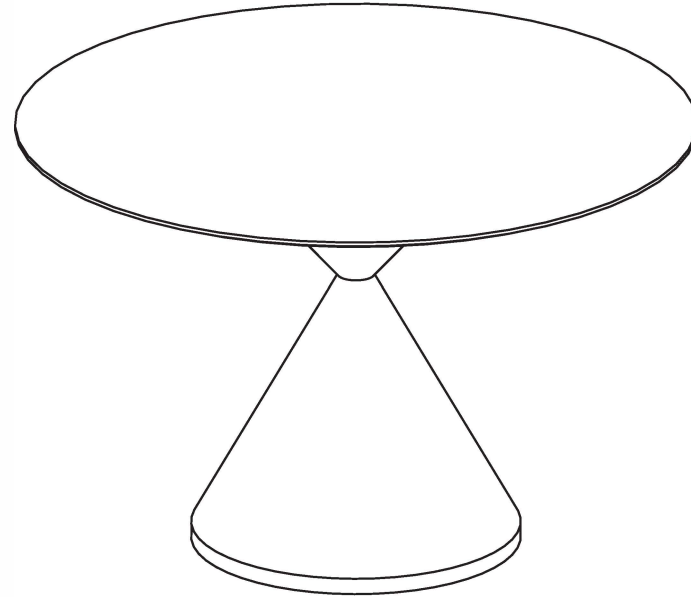


# ASSEMBLY INSTRUCTION

1



2



A		1
B		1
C	 8x13mm	4
D		4
E		1
F		1