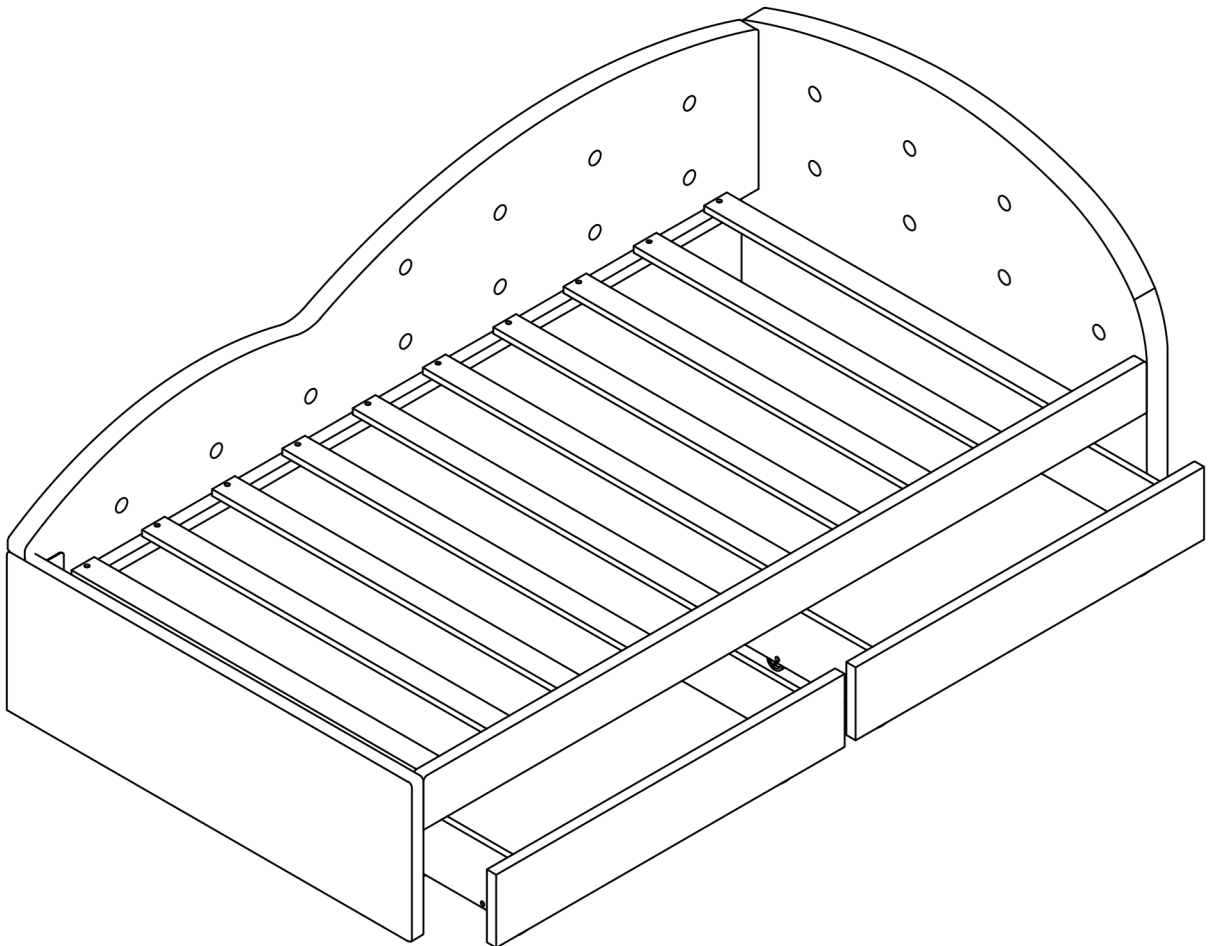


ASSEMBLY INSTRUCTIONS



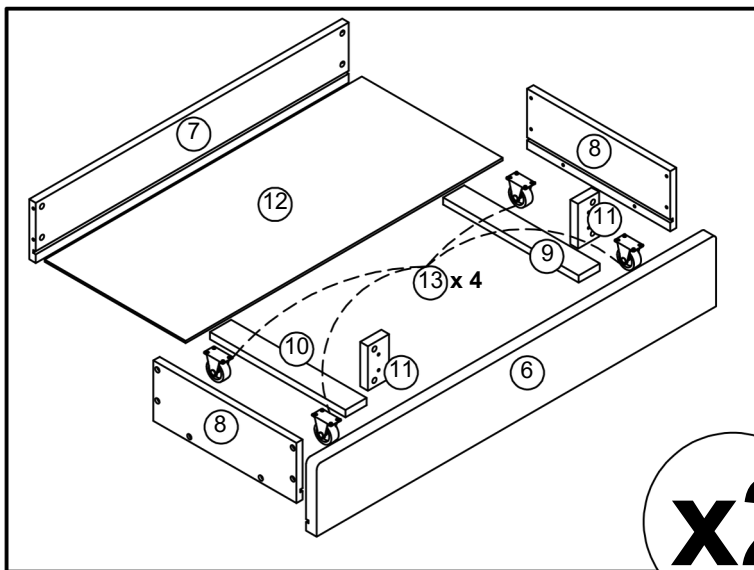
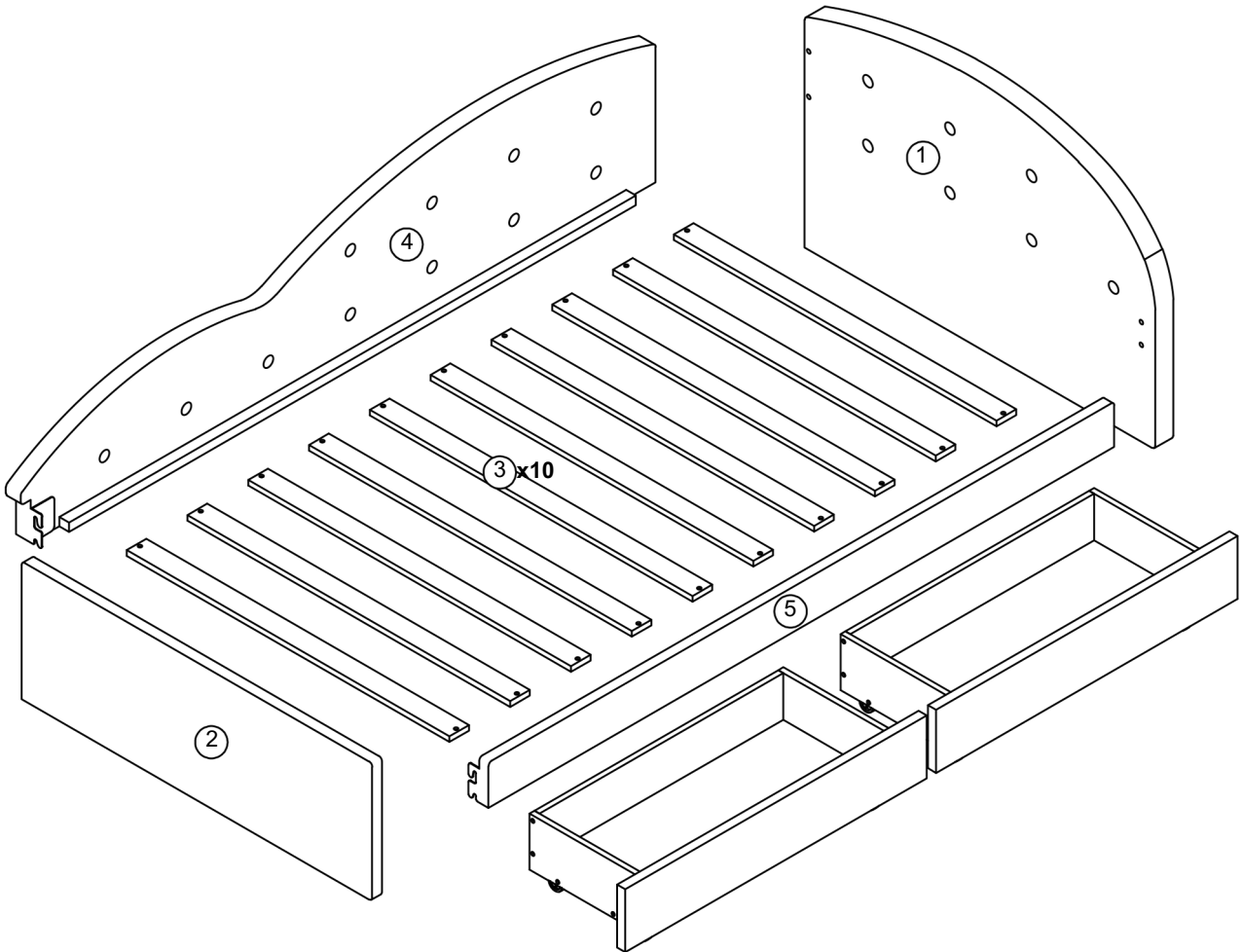
IMPORTANT NOTE

****PLACE ALL PARTS ON A CLEAN AND SMOOTH SURFACE SUCH AS A RUG OR CARPET TO AVOID THE PARTS FROM BEING SCRATCHED**

**** BEFORE YOU BEGIN , KINDY FOLLOW THE ASSEMBLY INSTRUCTIONS STEP BY STEP**

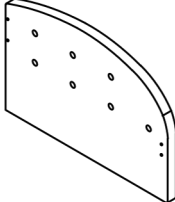
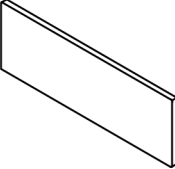
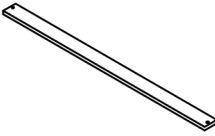
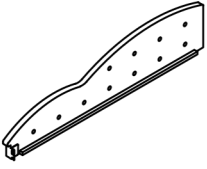
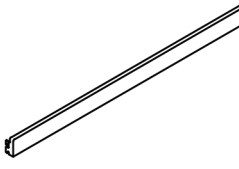
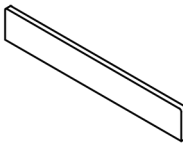

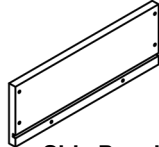
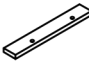


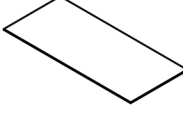

****DO NOT TIGHTEN ALL SCREWS AND BOLTS UNTIL THE BED IS FULLY SET-UP**

ASSEMBLY INSTRUCTIONS



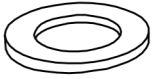

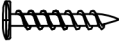
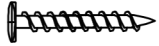



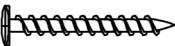



x2

ASSEMBLY INSTRUCTION

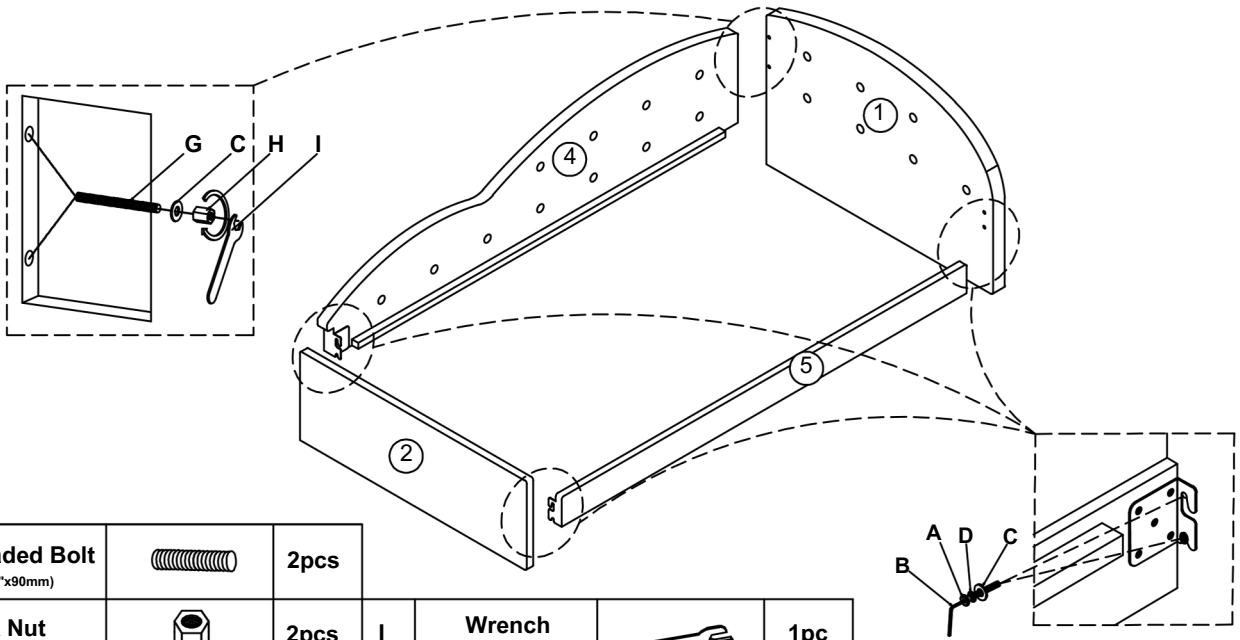
<p>1</p>  <p>Headboard Panel (1 pc)</p>	<p>2</p>  <p>Footboard Panel (1 pc)</p>	<p>3</p>  <p>Roll Slat (10 pcs) 985*60*15</p>
<p>PART LIST BOX 2: WF 310877</p>		
<p>4</p>  <p>Left Side Rail (1 pc)</p>	<p>5</p>  <p>Right Side Rail (1 pc)</p>	<p>6</p>  <p>Drawer Front Panel (2 pcs)</p>
<p>7</p>  <p>Drawer Back Panel (2 pcs)</p>	<p>8</p>  <p>Drawer Side Panel (4 pcs)</p>	<p>9</p>  <p>Drawer Bottom Rail (2 pcs)</p>
<p>10</p>  <p>Drawer Bottom Rail (2 pcs)</p>	<p>11</p>  <p>Drawer Connector (4 pcs)</p>	<p>12</p>  <p>Drawer Bottom Panel (2 pcs)</p>
<p>13</p>  <p>Wheels (8 pcs) 47x25x50mm</p>		








ASSEMBLY INSTRUCTIONS

<p>A</p>  <p>Short Bolt (6pcs) (5/16 "X25mm)</p>	<p>B</p>  <p>Allen Wrench (1 pc) (M4x75mm x32mm)</p>	<p>C</p>  <p>Flat Washer (8 pcs)</p>
<p>D</p>  <p>Spring Washer (6 pcs)</p>	<p>E</p>  <p>Flat Head Screw (32 pcs) (m4x15mm)</p>	<p>F</p>  <p>Flat Head Screw (28 pcs) (m4x30mm)</p>
<p>G</p>  <p>Threaded Bolt (2 pcs) (Ø 5/16 "X90mm)</p>	<p>H</p>  <p>Hex Nut (2 pcs) (16mmx13mmx13mm)</p>	<p>I</p>  <p>Wrench (1 pc)</p>
<p>K</p>  <p>Flat Head Screw (24 pcs) (m4x38mm)</p>	<p>L</p>  <p>Plastic Button (24 pcs) (10x10mmx10mm)</p>	

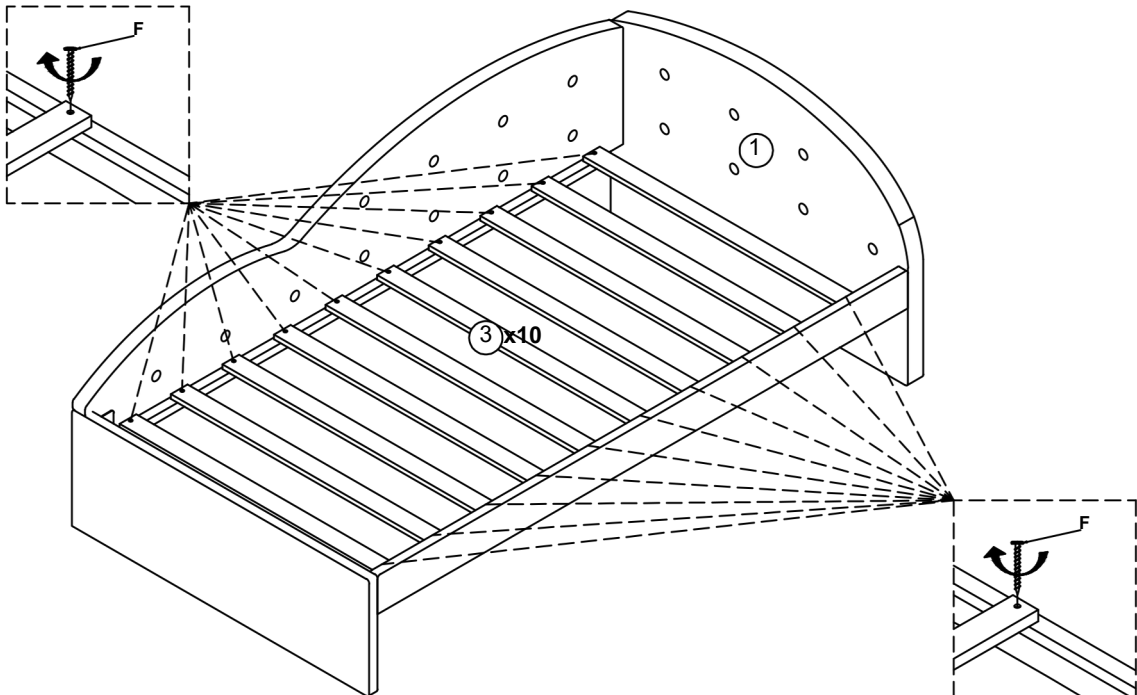
ASSEMBLY INSTRUCTIONS

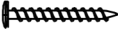
STEP 1



G	Threaded Bolt (5/16 "x90mm)		2pcs			
H	Hex Nut (16x13x13mm-)		2pcs	I	Wrench	 1pc
A	Bolt (5/16 "x25mm)		6pcs	D	Spring Washer	 6pcs
B	Allen Wrench (M4x75mm x32mm)		1pc	C	Flat Washer	 8pcs

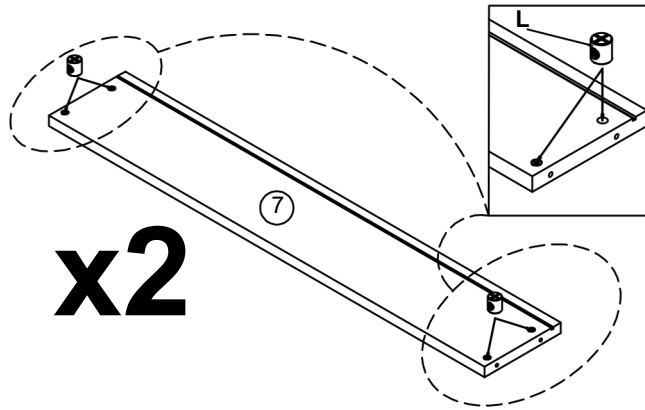
STEP 2




F	Flat Head Screw (m4x30mm)		20pcs
---	-------------------------------------	---	-------

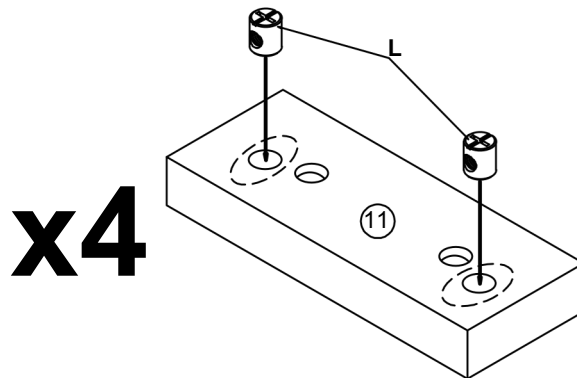
ASSEMBLY INSTRUCTIONS


STEP 5



L	Plastic Button (10x10mmx10mm)		8pcs
---	----------------------------------	---	------

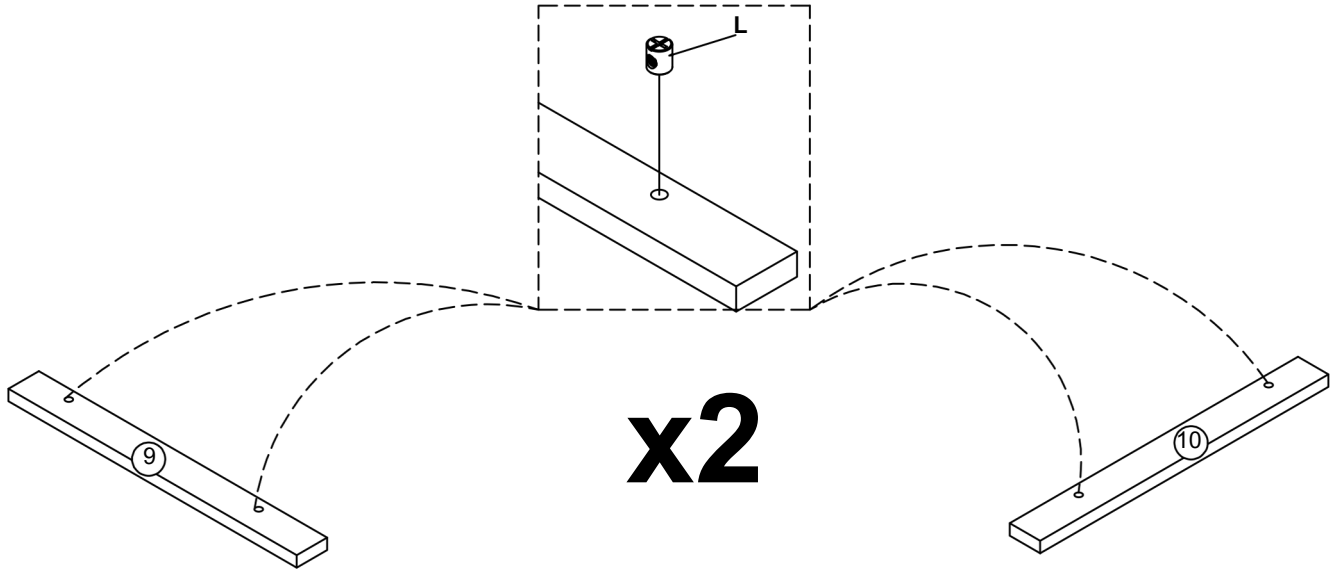
STEP 6



L	Plastic Button (10x10mmx10mm)		8pcs
---	----------------------------------	---	------

ASSEMBLY INSTRUCTIONS

STEP 7

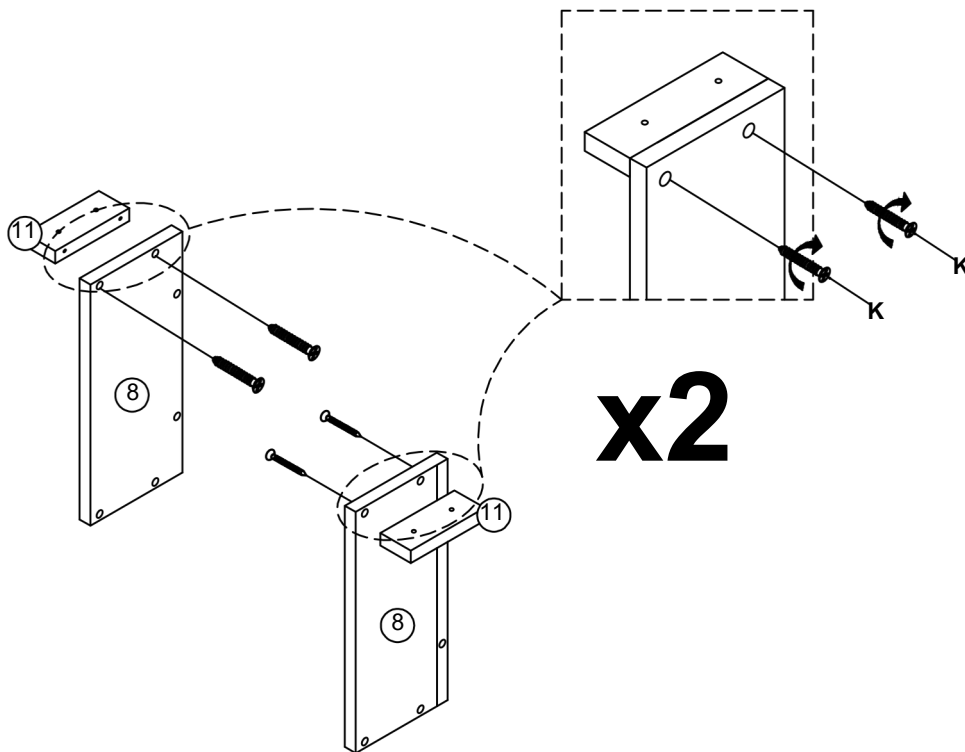


L Plastic Button
(10x10mmx10mm)

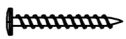


8pcs

STEP 8



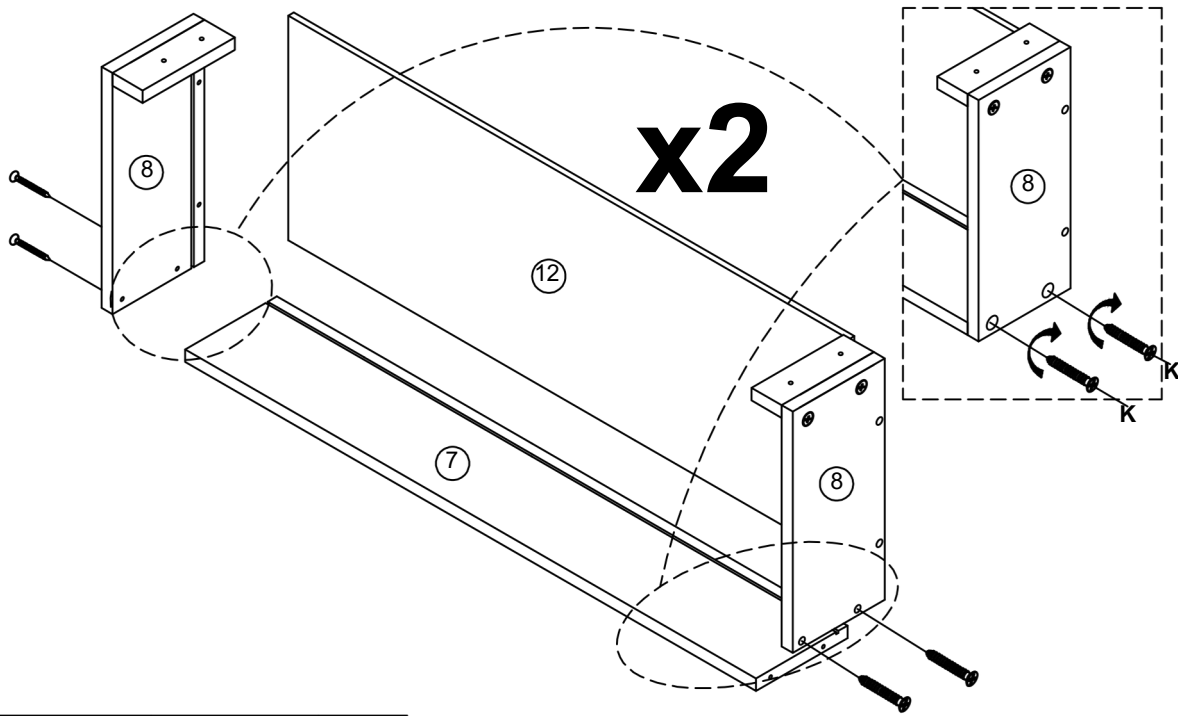
K Flat Head Screw
(m4x38mm)

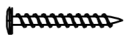


8pcs

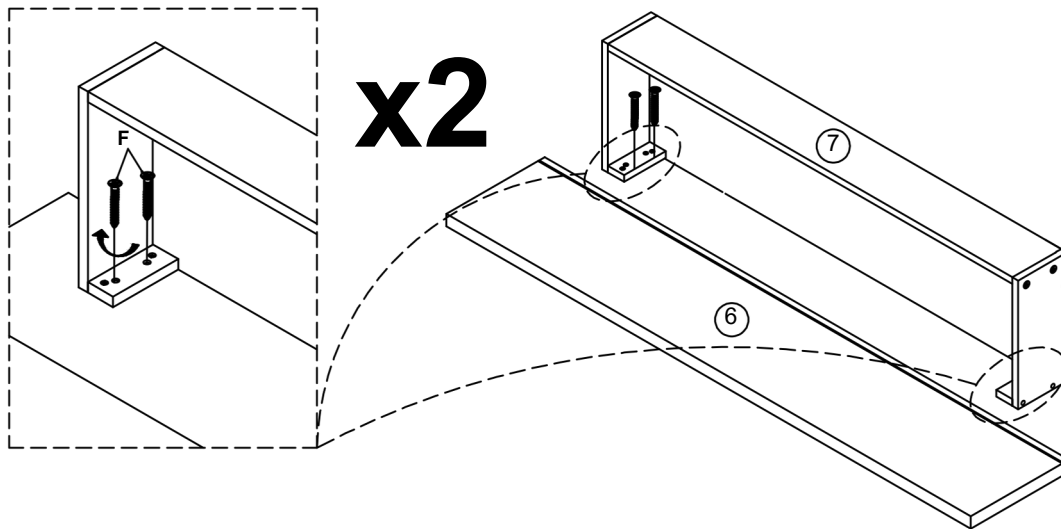
ASSEMBLY INSTRUCTIONS

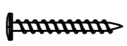
STEP 9



K	Flat Head Screw (m4x38mm)		8pcs
---	------------------------------	---	------

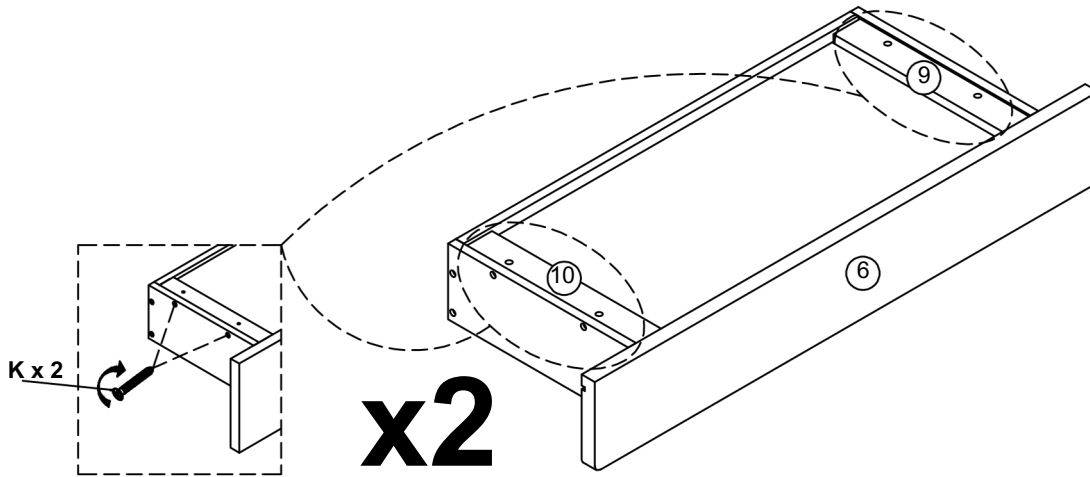
STEP 10

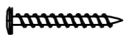


F	Flat Head Screw (m4x30mm)		8pcs
---	------------------------------	---	------

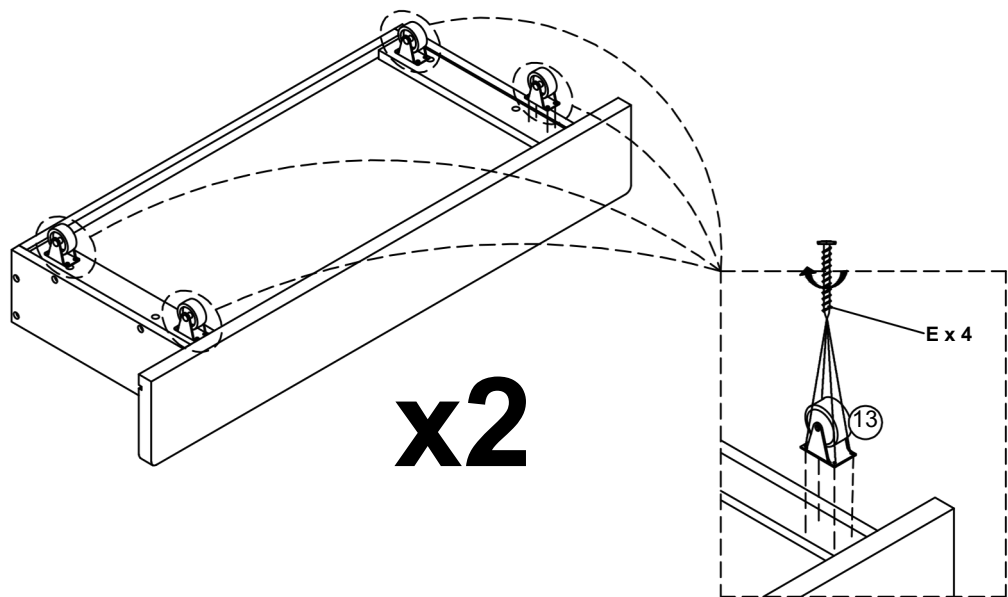
ASSEMBLY INSTRUCTIONS

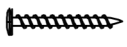
STEP 11



K	Flat Head Screw (m4x38mm)		8pcs
---	------------------------------	---	------

STEP 12



E	Flat Head Screw (m4x15mm)		32pcs
---	------------------------------	---	-------

ASSEMBLY INSTRUCTIONS

STEP 11
COMPLETE

