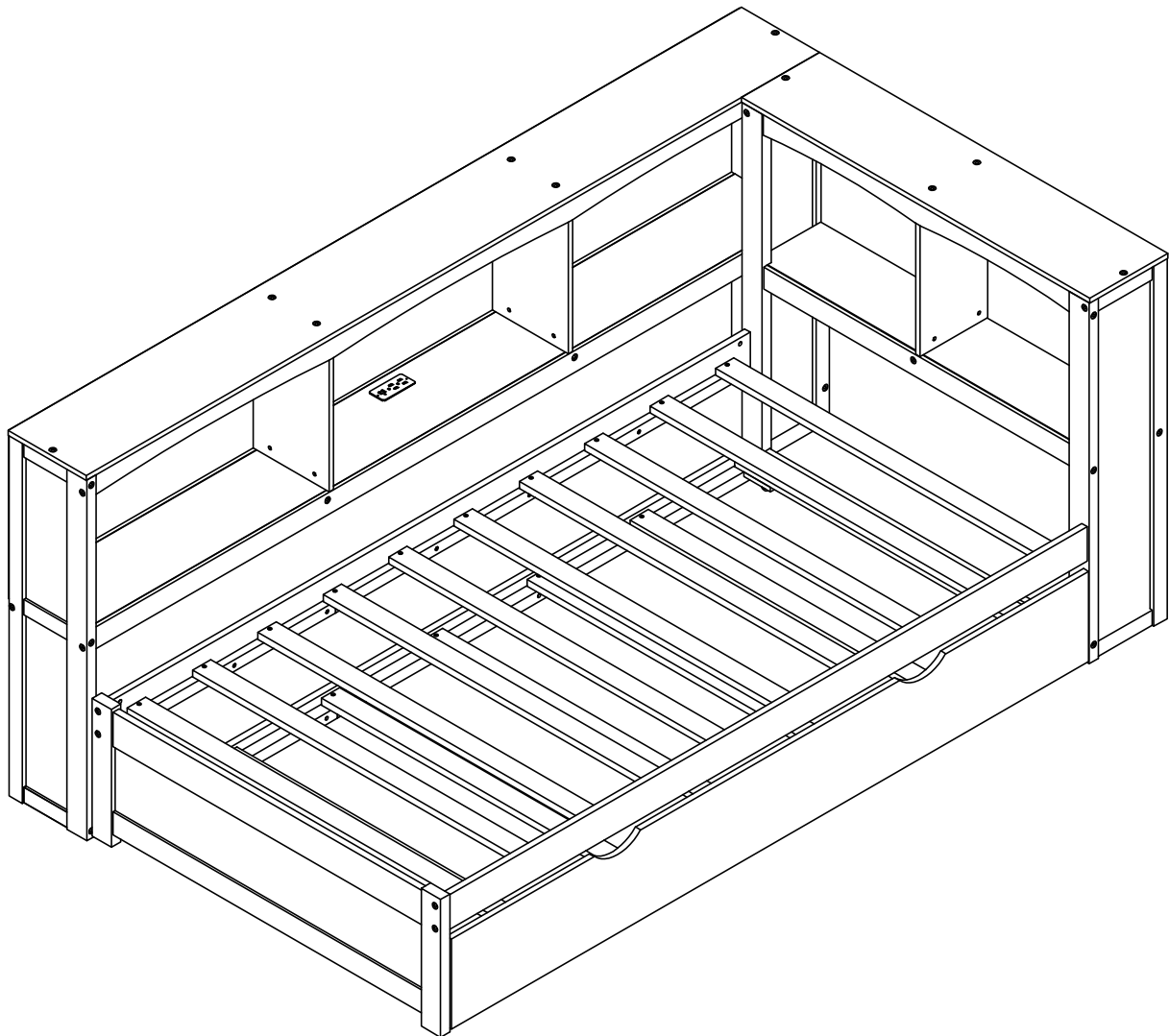
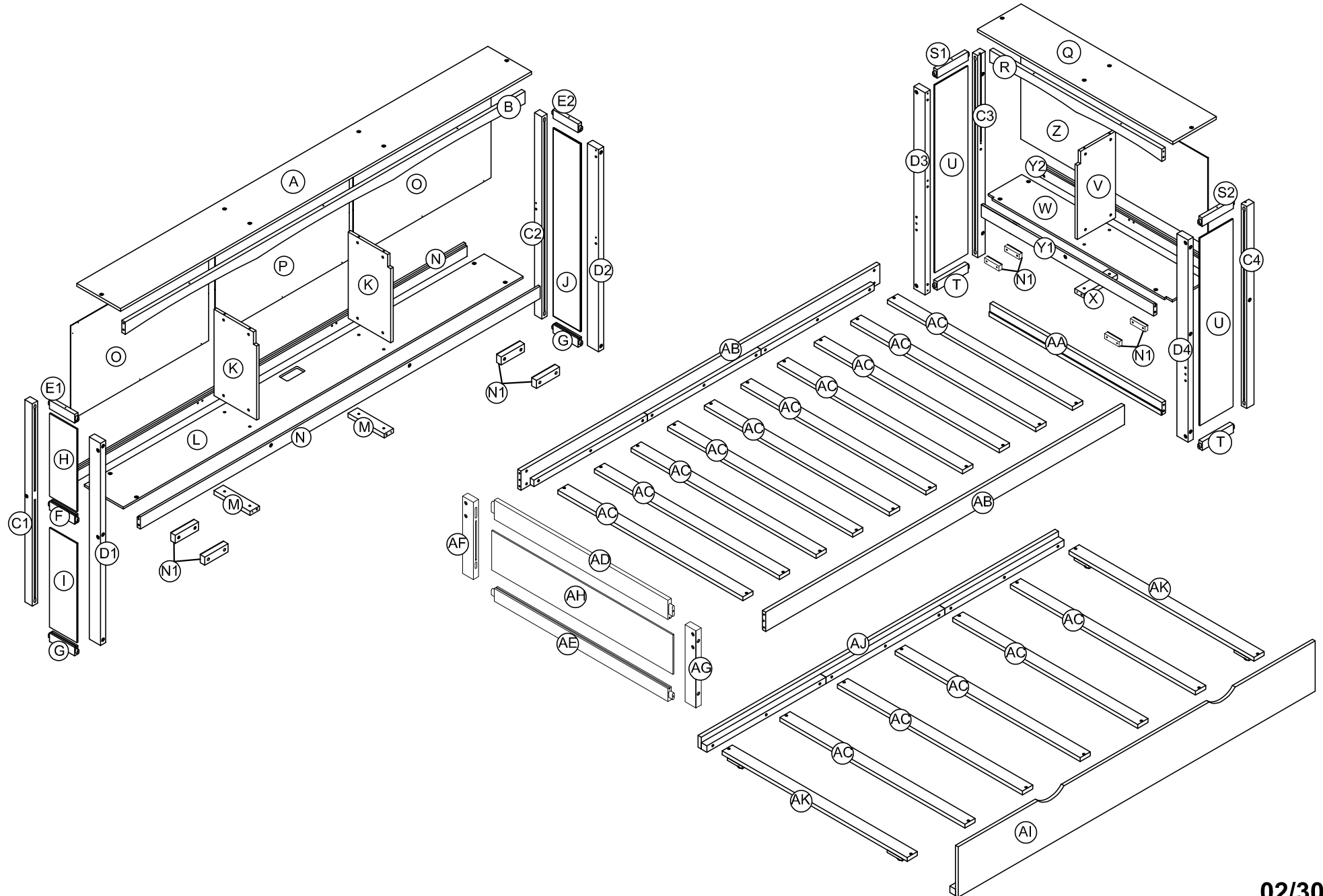






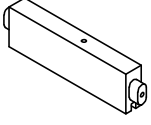
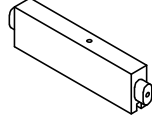
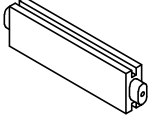
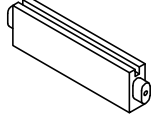
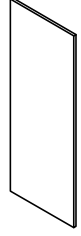
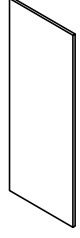
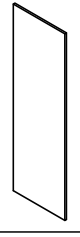
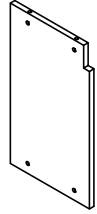
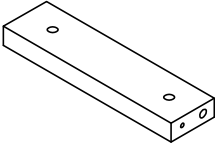
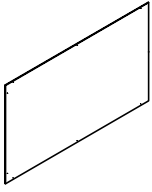
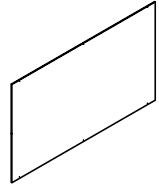
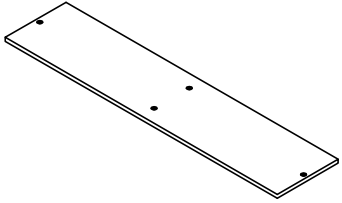
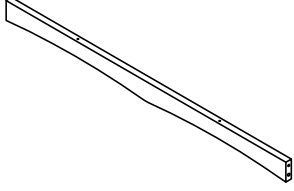
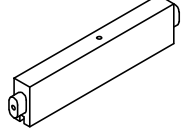
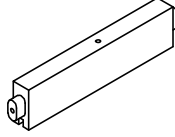
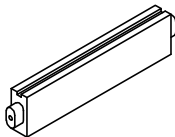

# ASSEMBLY INSTRUCTION



# ASSEMBLY INSTRUCTION

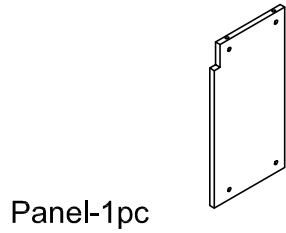


# Part List

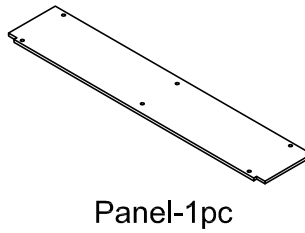
<p><b>C1</b></p>  <p>WoodBar-1pc</p>	<p><b>C2</b></p>  <p>WoodBar-1pc</p>	<p><b>C3</b></p>  <p>WoodBar-1pc</p>
<p><b>C4</b></p>  <p>WoodBar-1pc</p>	<p><b>E1</b></p>  <p>WoodBar-1pc</p>	<p><b>E2</b></p>  <p>WoodBar-1pc</p>
<p><b>F</b></p>  <p>WoodBar-1pc</p>	<p><b>G</b></p>  <p>WoodBar-2pcs</p>	<p><b>H</b></p>  <p>Panel-1pc</p>
<p><b>I</b></p>  <p>Panel-1pc</p>	<p><b>J</b></p>  <p>Panel-1pc</p>	<p><b>K</b></p>  <p>Panel-2pcs</p>
<p><b>M</b></p>  <p>WoodBar-2pcs</p>	<p><b>O</b></p>  <p>Panel-2pcs</p>	<p><b>P</b></p>  <p>Panel-1pc</p>
<p><b>Q</b></p>  <p>Top Panel-1pc</p>	<p><b>R</b></p>  <p>WoodBar-1pcs</p>	<p><b>S1</b></p>  <p>WoodBar-1pc</p>
<p><b>S2</b></p>  <p>WoodBar-1pc</p>	<p><b>T</b></p>  <p>WoodBar-2pcs</p>	<p><b>U</b></p>  <p>Panel-2pcs</p>

# Part List

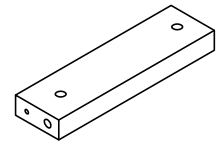
V



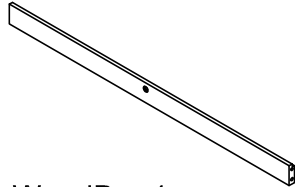
W



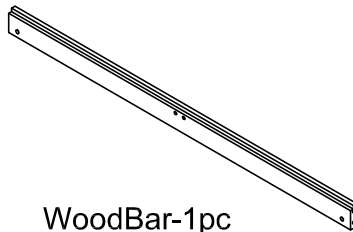
X



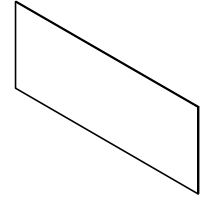
Y1



Y2



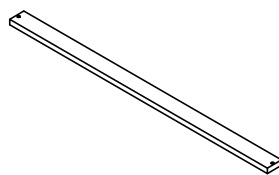
Z



AA



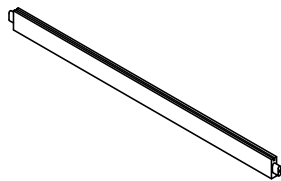
AC



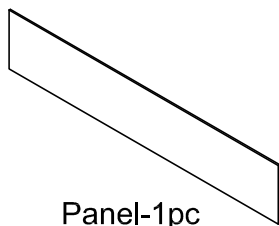
AD



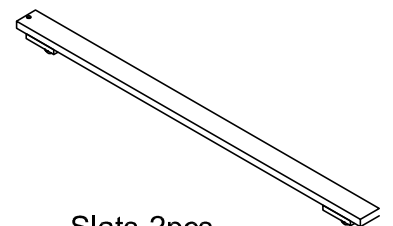
AE



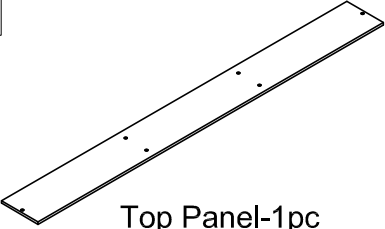





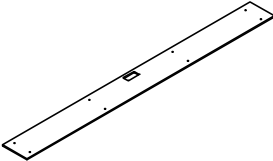
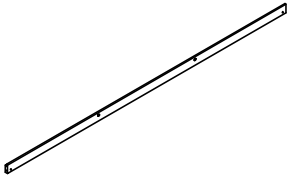
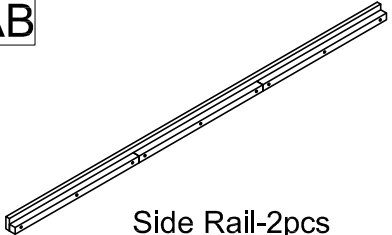


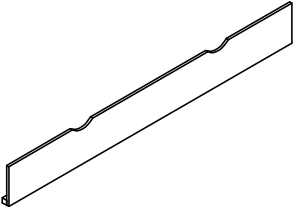

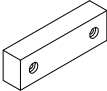
AH









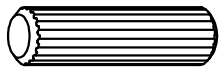


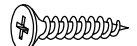
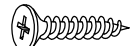

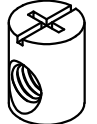
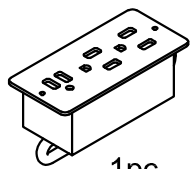
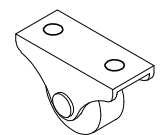
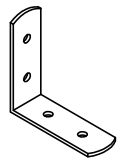
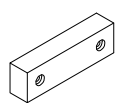

AK

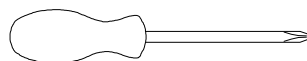


# Part List & Hardware

<p><b>A</b></p>  <p>Top Panel-1pc</p>	<p><b>B</b></p>  <p>WoodBar-1pc</p>	<p><b>D1</b></p>  <p>WoodBar-1pc</p>
<p><b>D2</b></p>  <p>WoodBar-1pc</p>	<p><b>D3</b></p>  <p>WoodBar-1pc</p>	<p><b>D4</b></p>  <p>WoodBar-1pc</p>
<p><b>L</b></p>  <p>Panel-1pc</p>	<p><b>N</b></p>  <p>WoodBar-2pcs</p>	<p><b>AB</b></p>  <p>Side Rail-2pcs</p>
<p><b>AF</b></p>  <p>WoodBar-1pc</p>	<p><b>AG</b></p>  <p>WoodBar-1pc</p>	<p><b>AI</b></p>  <p>Panel-1pc</p>
<p><b>AJ</b></p>  <p>WoodBar-1pc</p>	<p><b>N1</b></p>  <p>WoodBar-8pcs</p>	




# Hardware List

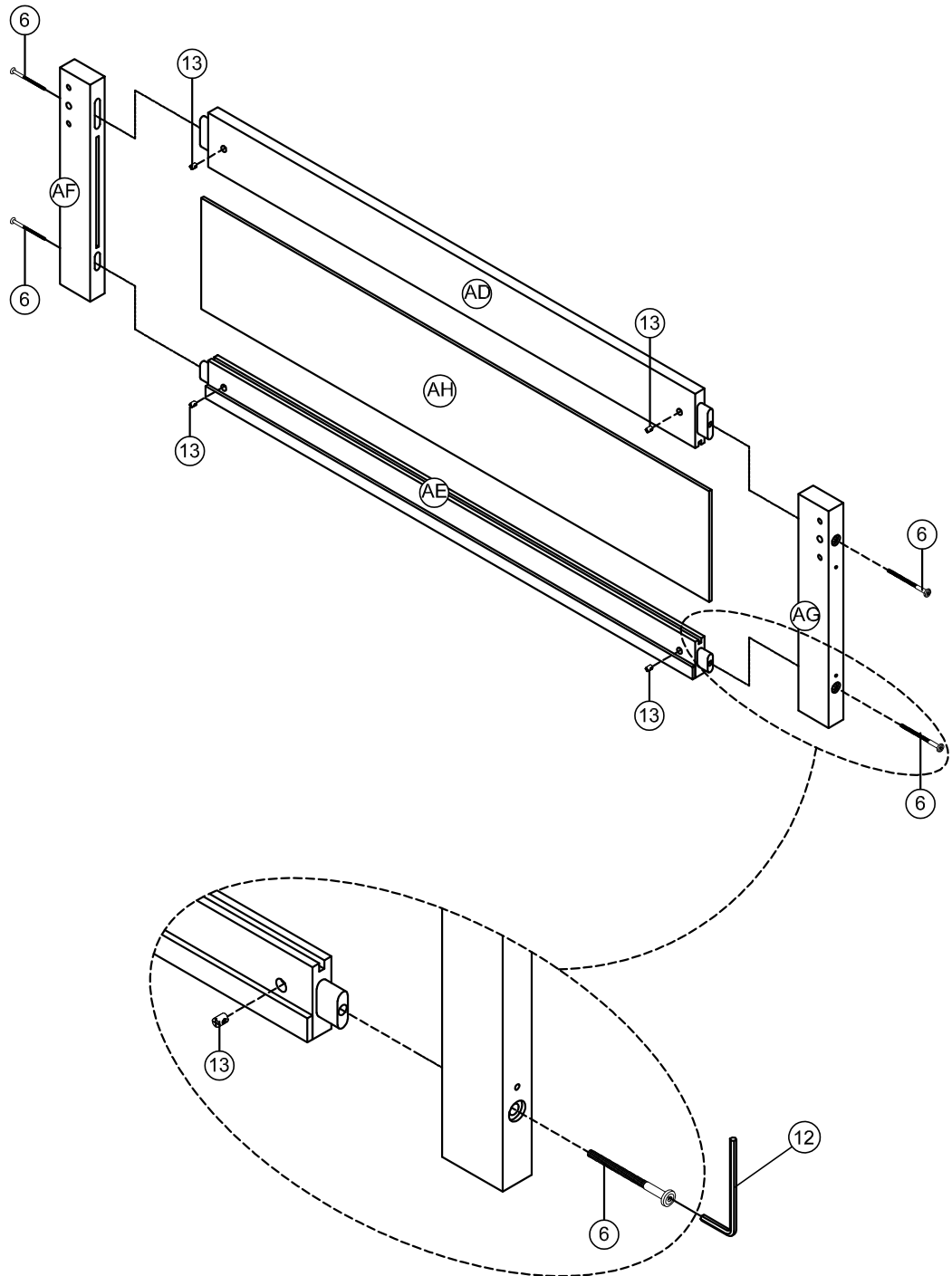
<p>1</p>  <p>Screws 1/4" x 30 4pcs</p>	<p>2</p>  <p>Screws 1/4" x 50 21pcs</p>	<p>3</p>  <p>Screws 1/4" x 80 7pcs</p>
<p>4</p>  <p>Ø1/4" x 60 mm Hex-Head bolst 8pcs</p>	<p>5</p>  <p>Ø1/4" x 70 mm Hex-Head bolst 18pcs</p>	<p>6</p>  <p>Ø1/4" x 100 mm Hex-Head bolst 10pcs</p>
<p>7</p>  <p>Ø10 x 40 Wooden dowel 24pcs</p>	<p>8</p>  <p>M3 x 12 Wood Screws 2pcs</p>	<p>9</p>  <p>M3 x 15 Wood Screws 20pcs</p>
<p>10</p>  <p>M4 x 15 Wood Screws 20pcs</p>	<p>11</p>  <p>M4 x 30 Wood Screws 60pcs</p>	<p>12</p>  <p>Allen Key 1pc</p>
<p>13</p>  <p>Ø1/4" x 13 mm Horizontal-Hole bolts 40pcs</p>	<p>14</p>  <p>1pc</p>	<p>15</p>  <p>Wheel 4pcs</p>
<p>16</p>  <p>Steel Bracket 3pcs</p>	<p>17</p>  <p>WoodBar-2pcs</p>	<p>18</p>  <p>Ø1/4" x 50 mm Hex-Head bolst 6pcs</p>







**Assembly Tools Required (Not Included)**

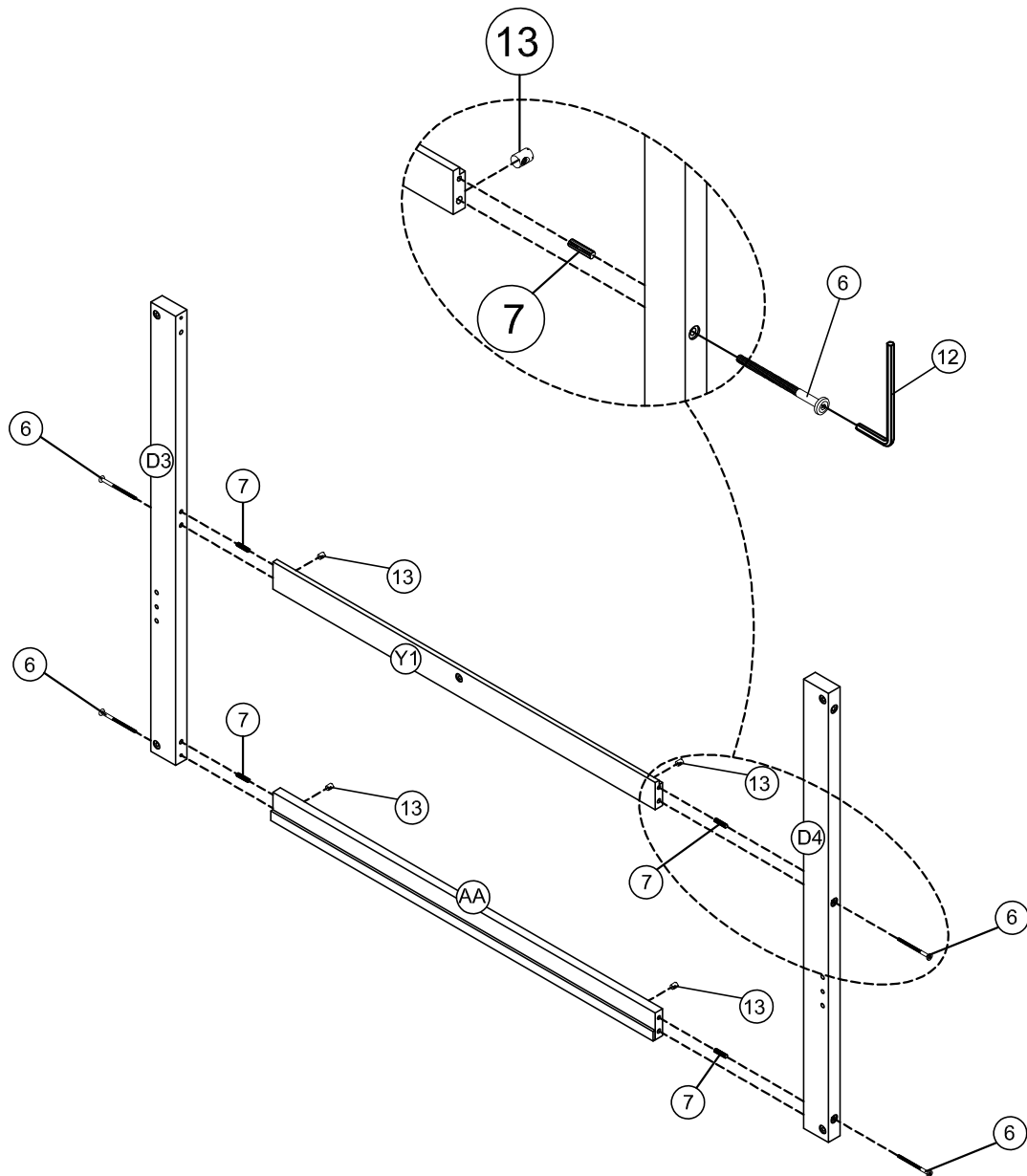
# STEP1: Following below illustration.

13	12	6
		
4pcs	1pc	4pcs







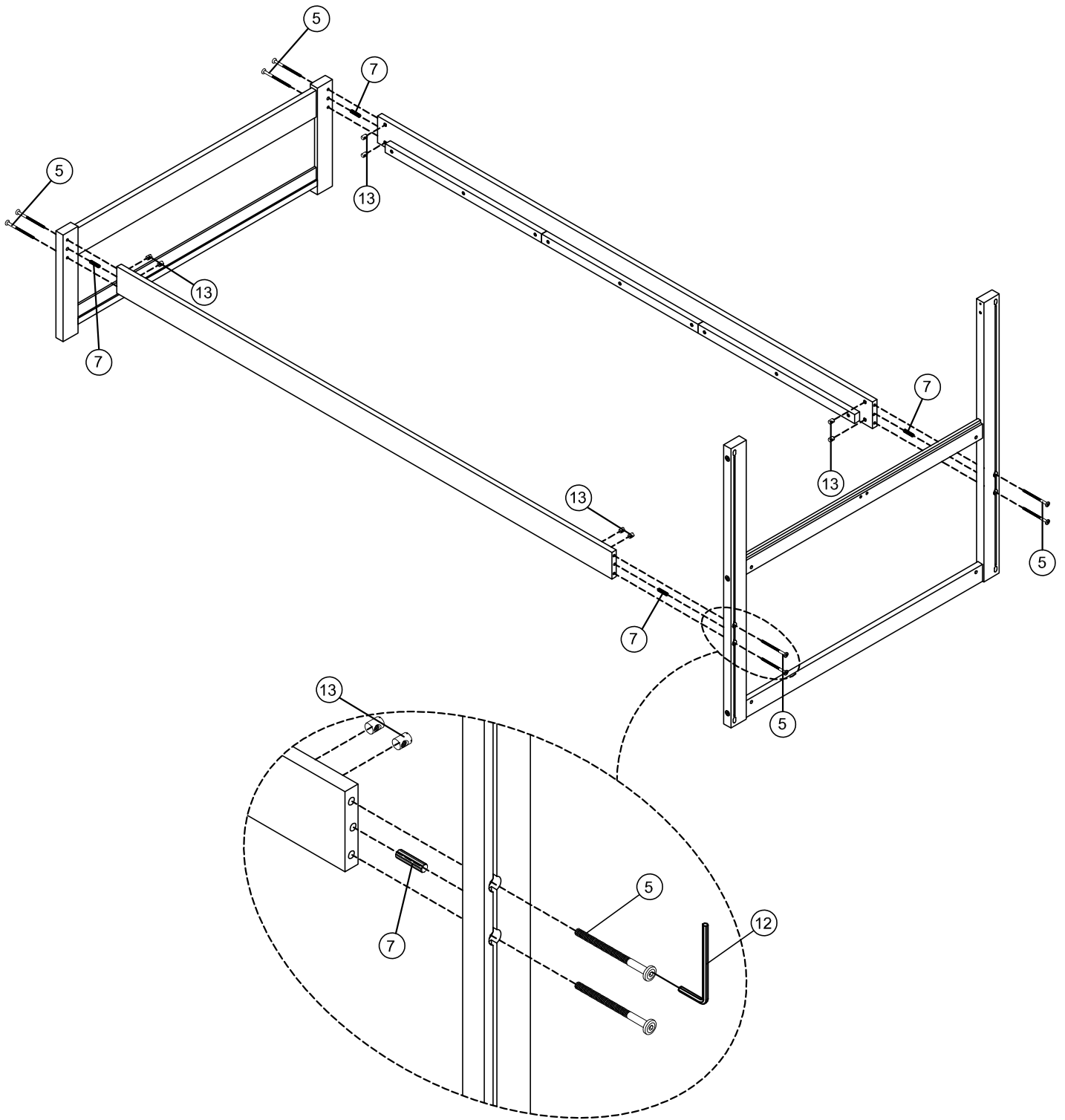
# STEP2: Following below illustration.

<b>13</b> 	<b>12</b> 	<b>7</b> 	<b>6</b> 
4pcs	1pc	4pcs	4pcs


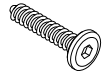


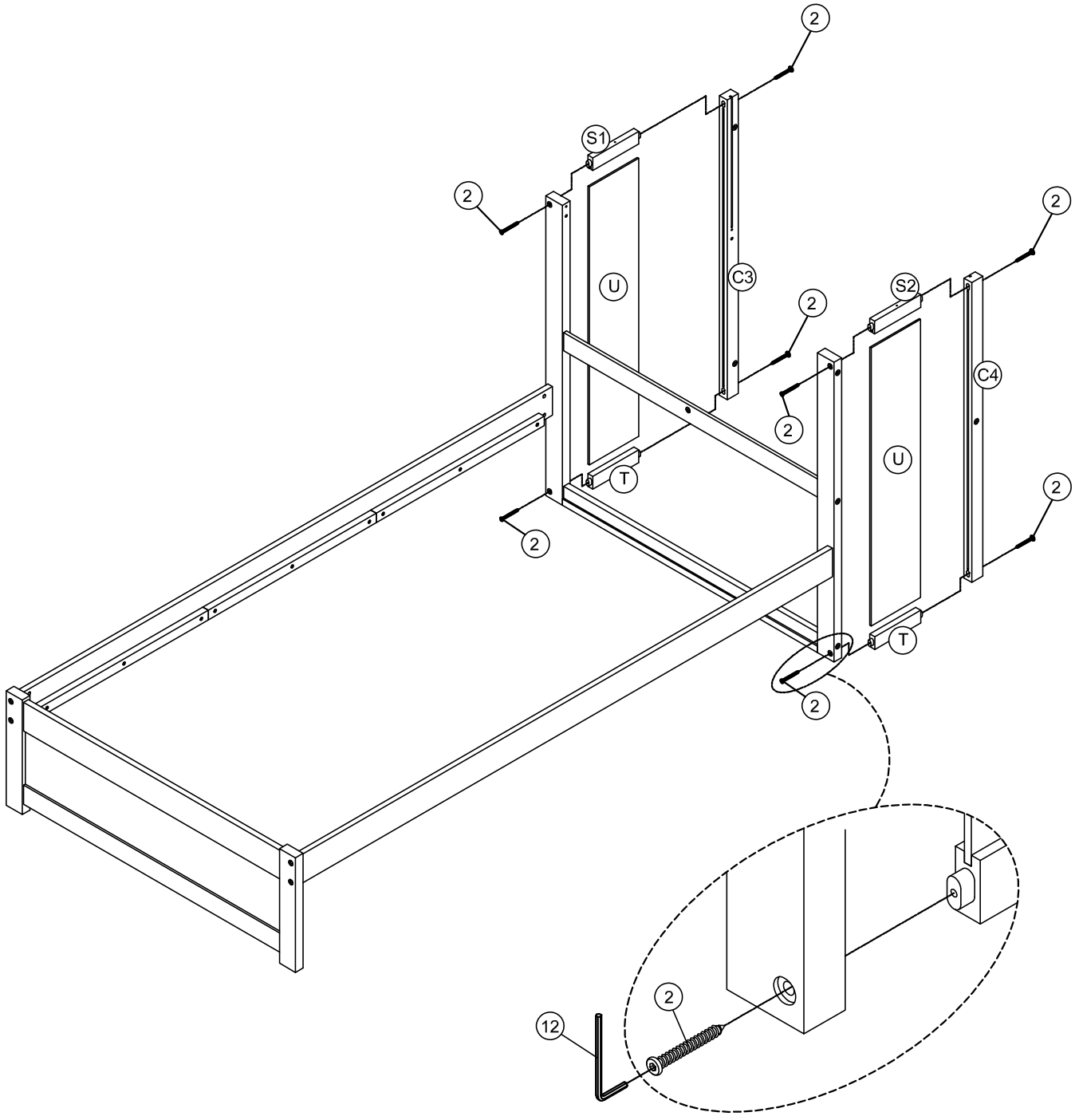
**STEP3:** Following below illustration.

<b>13</b> 	<b>12</b> 	<b>7</b> 	<b>5</b> 
8pcs	1pc	4pcs	8pcs








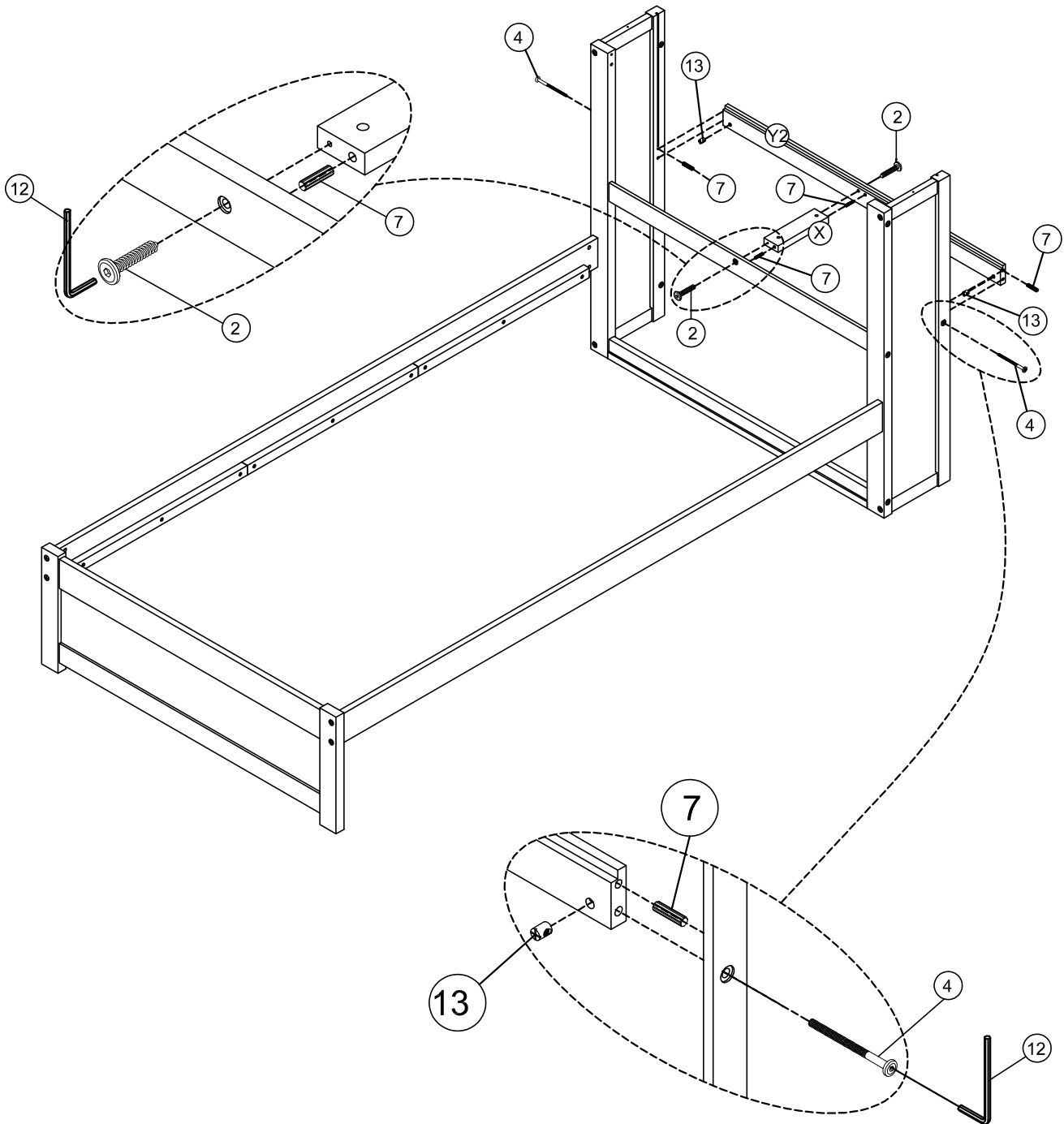
# STEP4: Following below illustration.

12	2
	
1pc	8pcs



# STEP5: Following below illustration.

12	7	4	2
			
1pc	4pc	2pcs	2pcs
			13
			
			2pcs

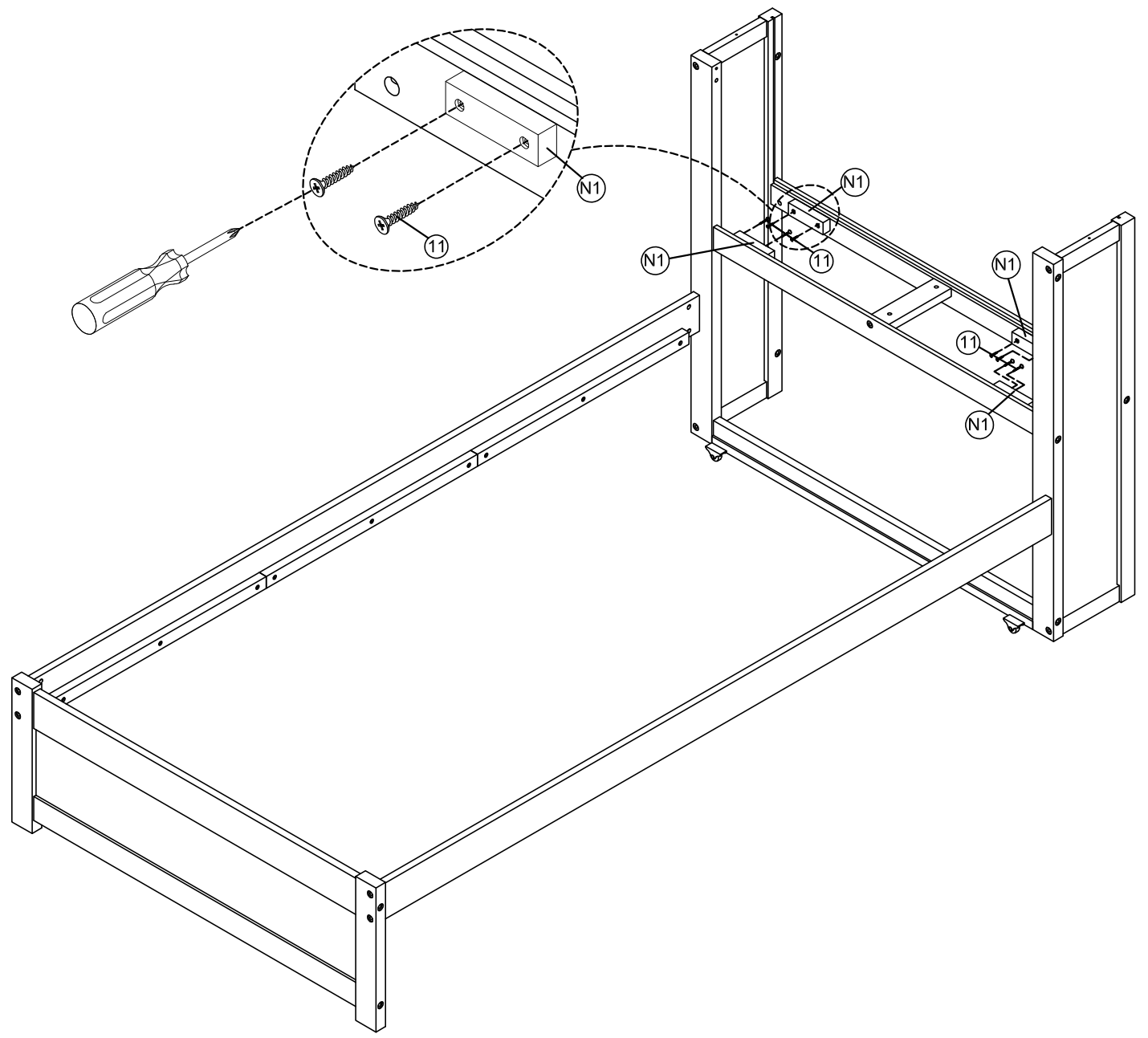


**STEP6:** Following below illustration.

11

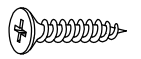


8pc

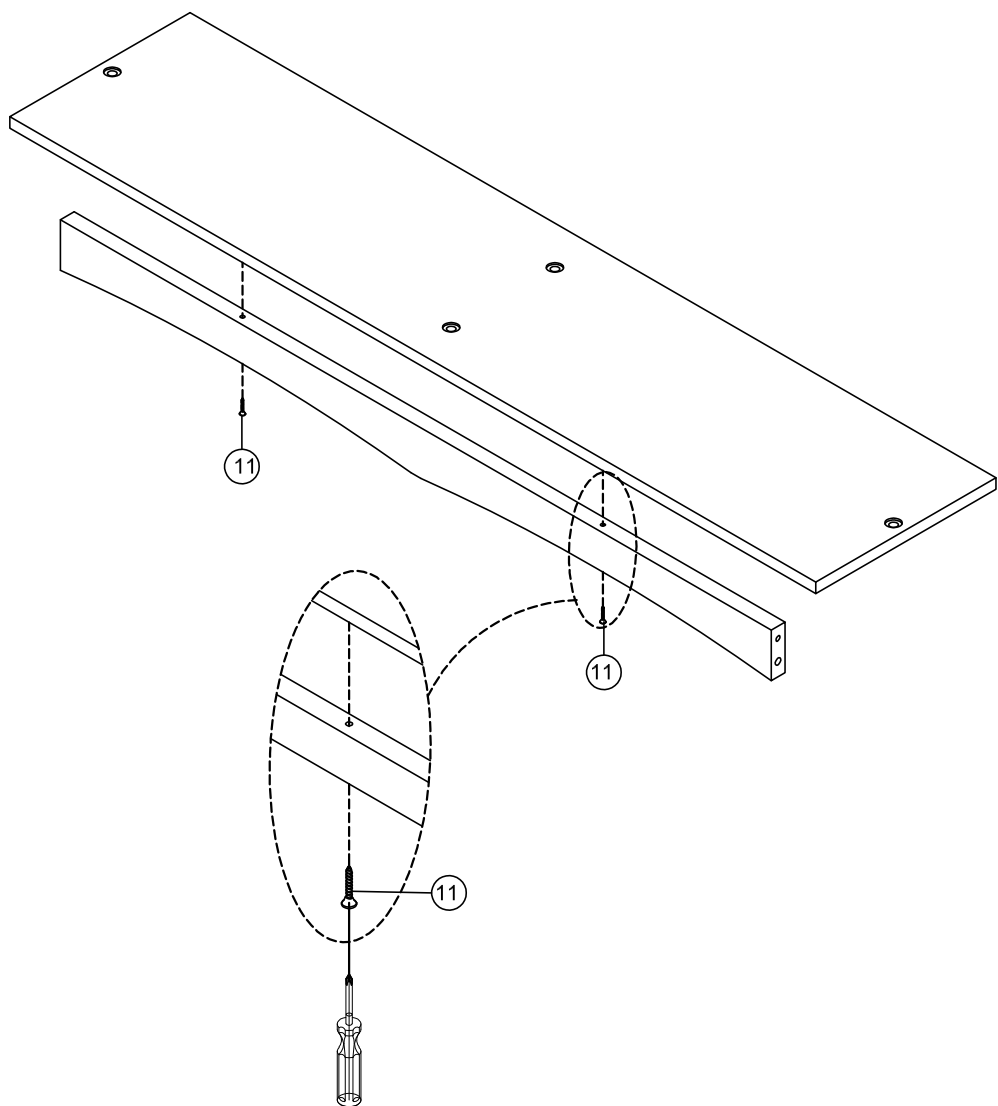


**STEP7:** Following below illustration.


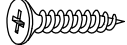


**11**

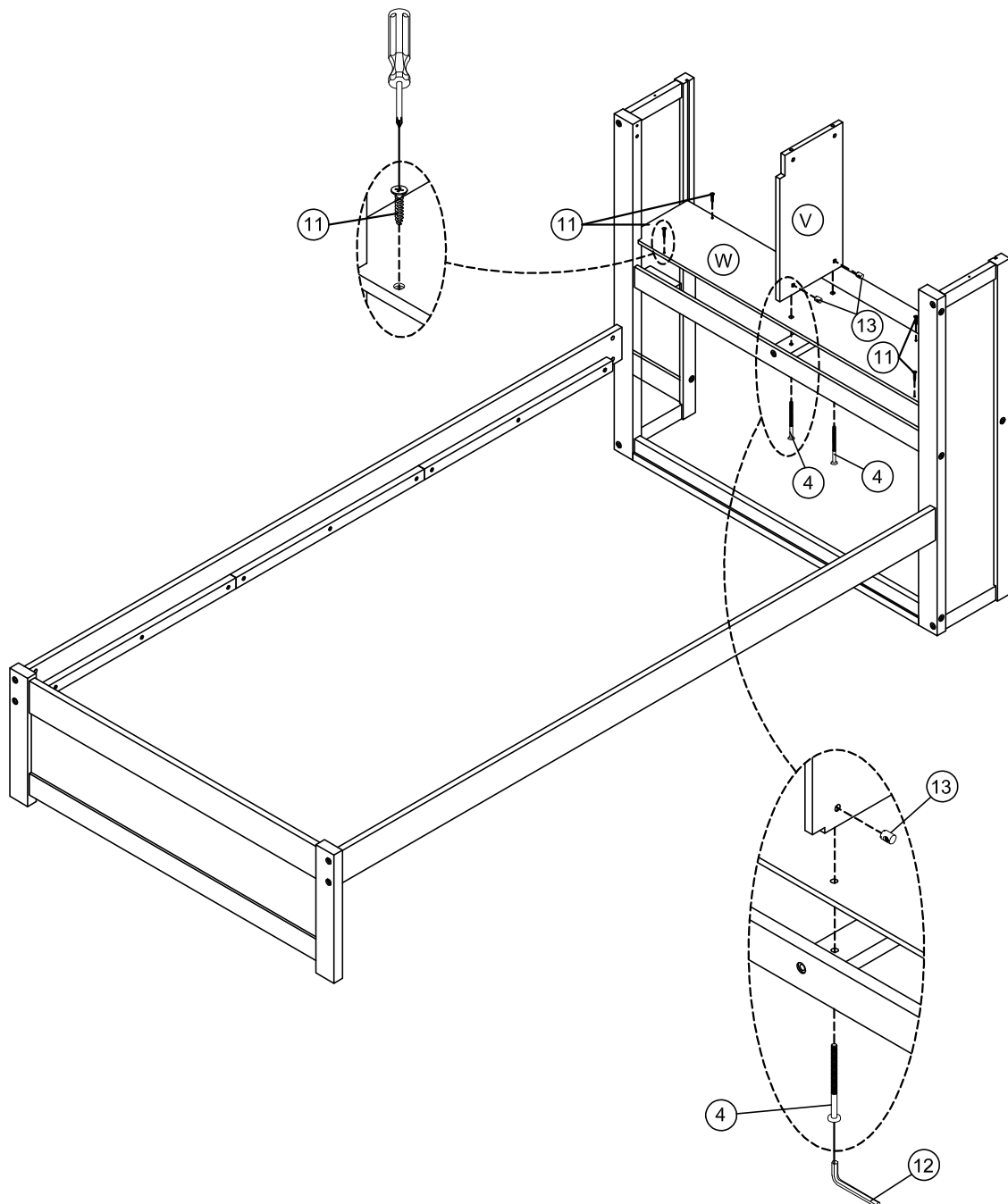


M4 x 30  
2pcs




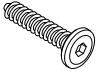




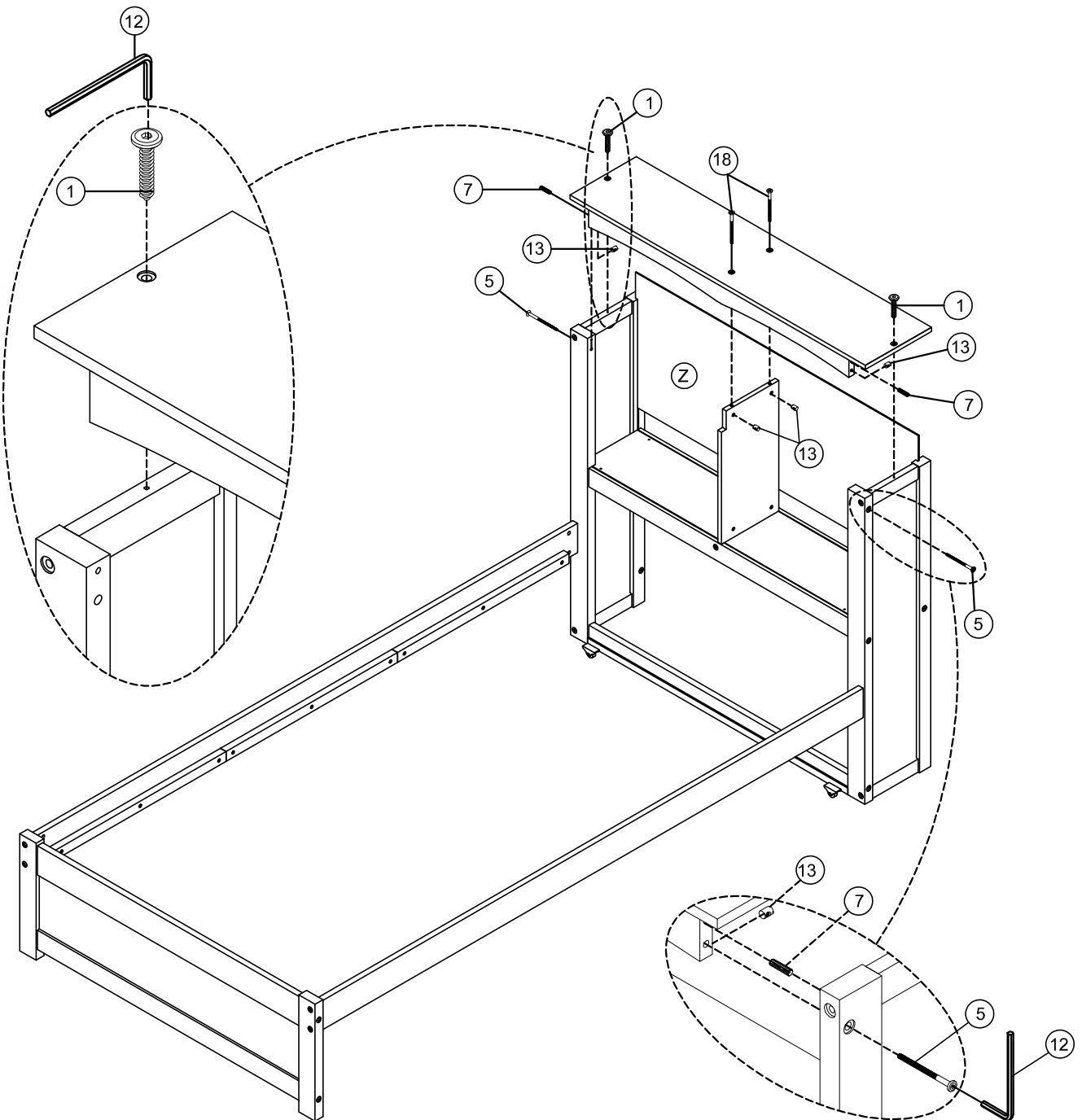
# STEP8: Following below illustration.

12	11	4
		
1pc	4pcs	2pcs
		13
		
		2pcs

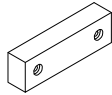

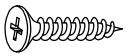


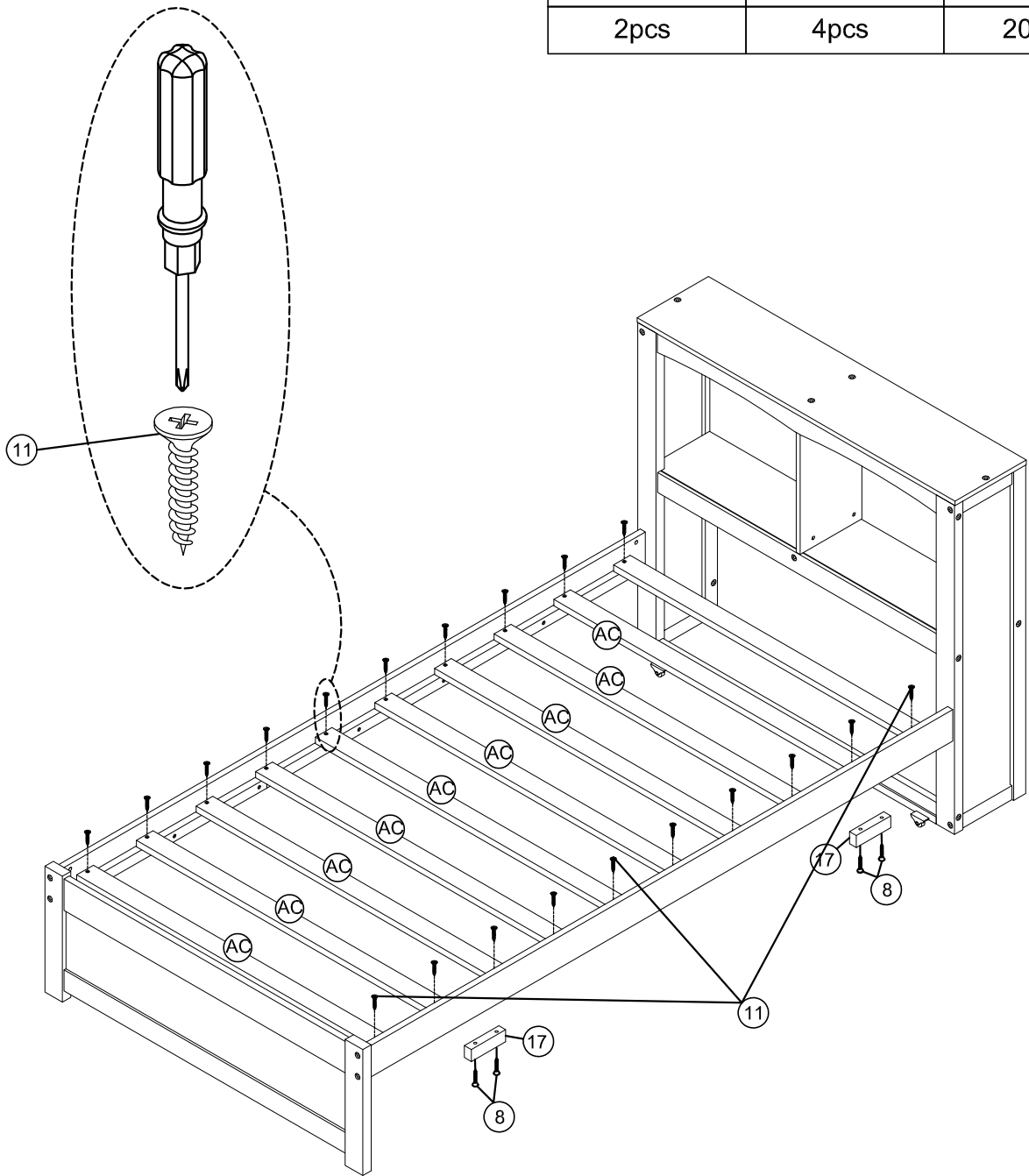
# STEP9: Following below illustration.

7	5	18	1
			
2pcs	2pcs	2pcs	2pcs
		13	12
			
		4pcs	1pc


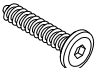


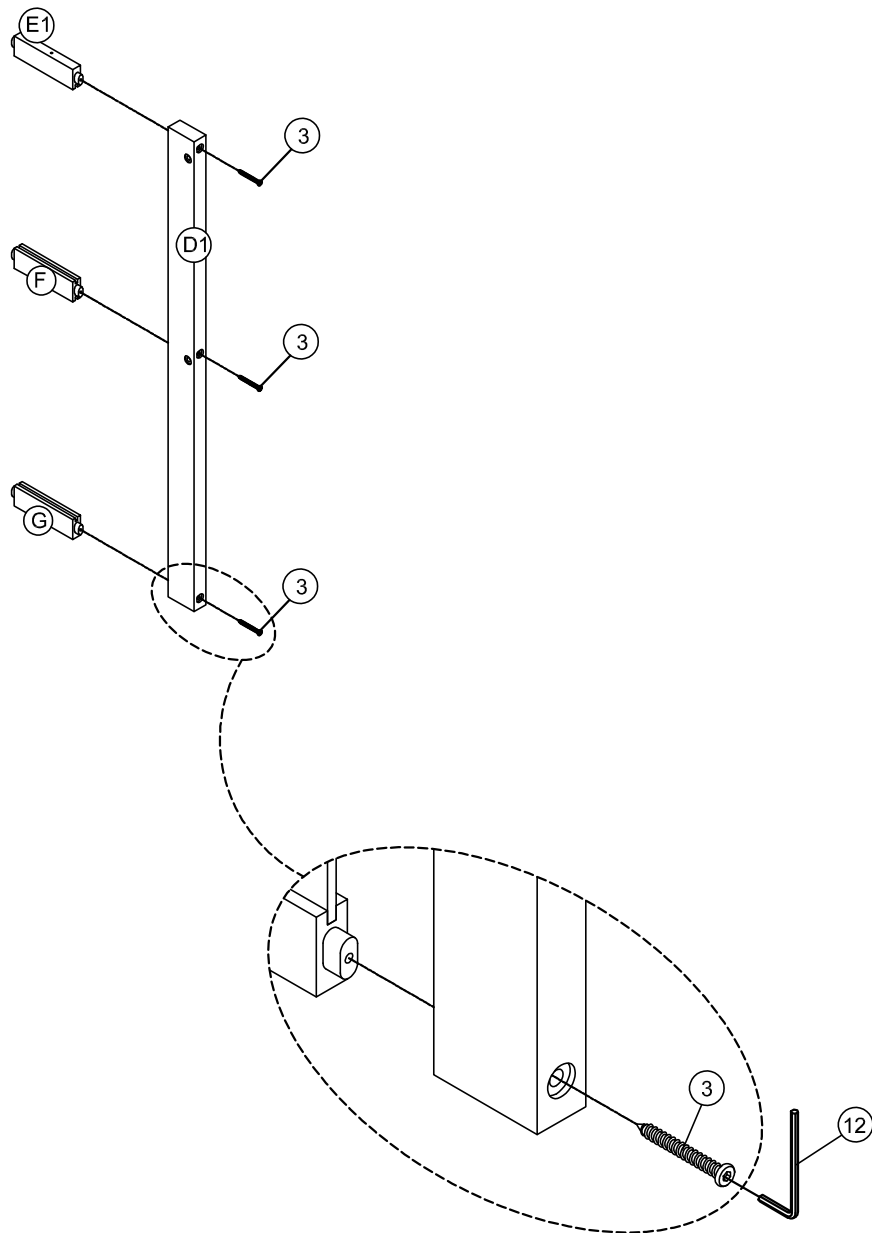
# STEP 10: Following below illustration.

17	8	11
		
2pcs	4pcs	20pcs



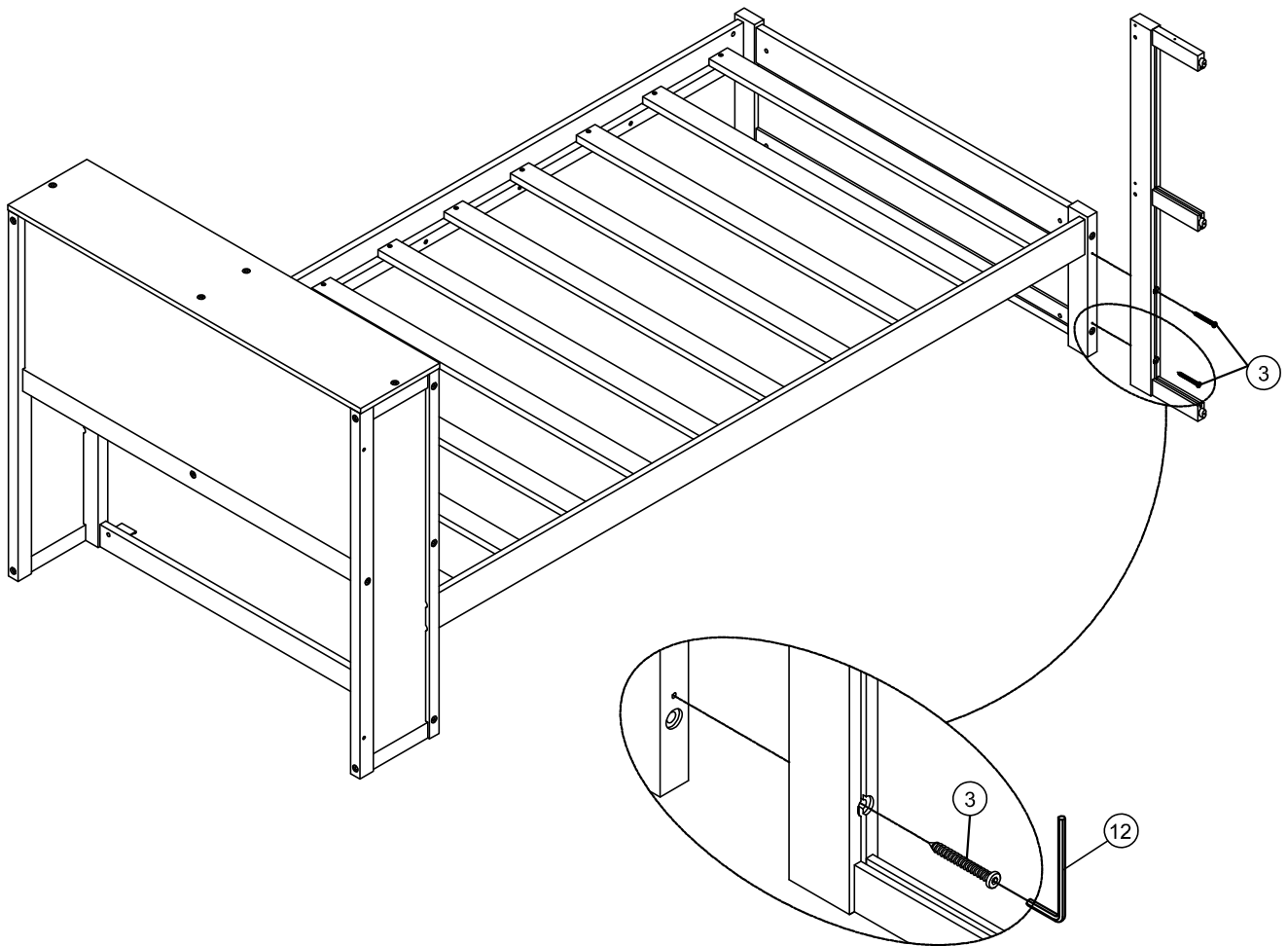
**STEP11:** Following below illustration.

<b>12</b> 	<b>3</b> 
1pc	3pcs


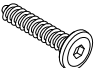


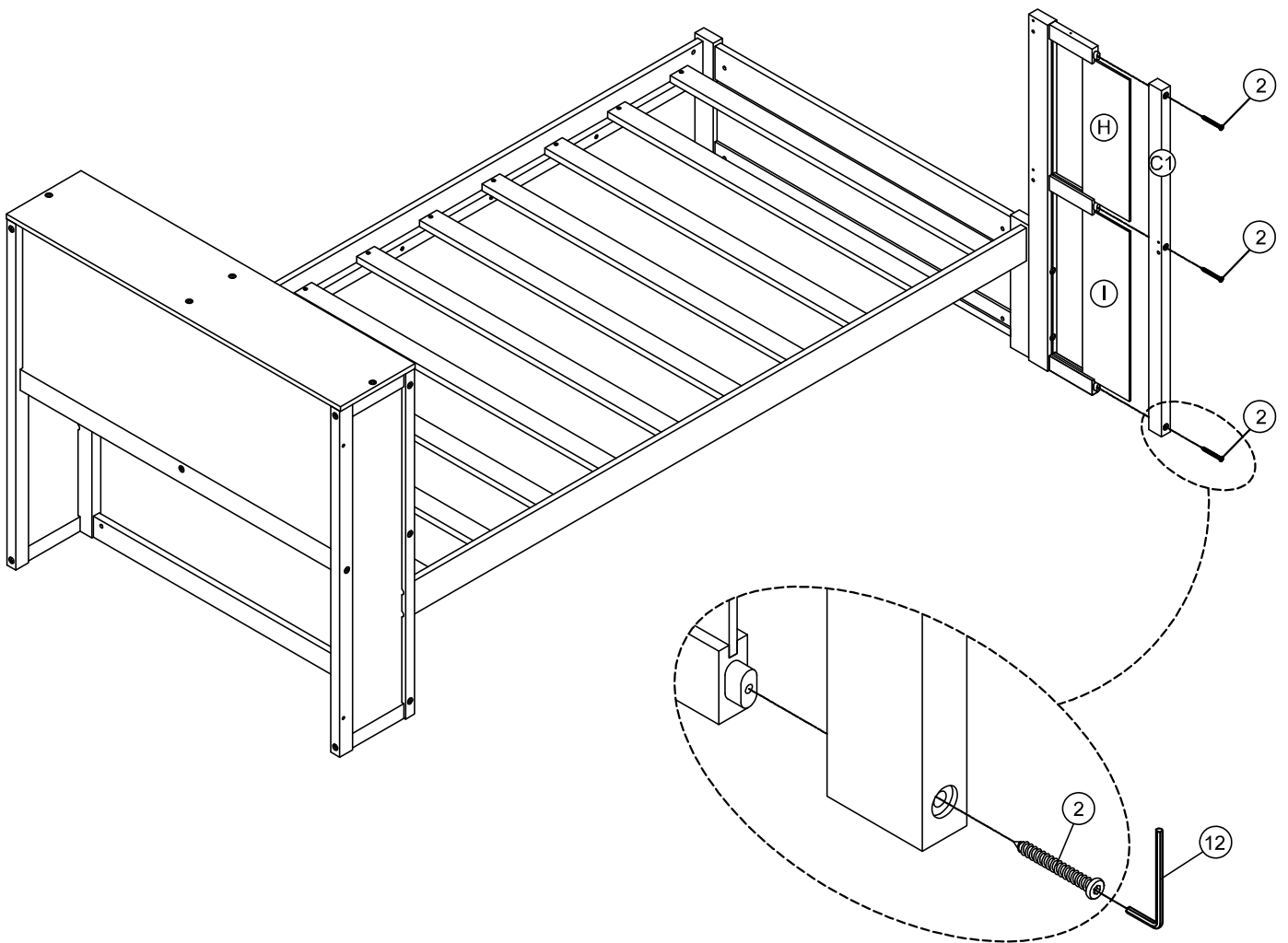
# STEP12: Following below illustration.

12	3
1pc	2pcs


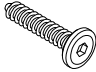
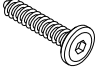


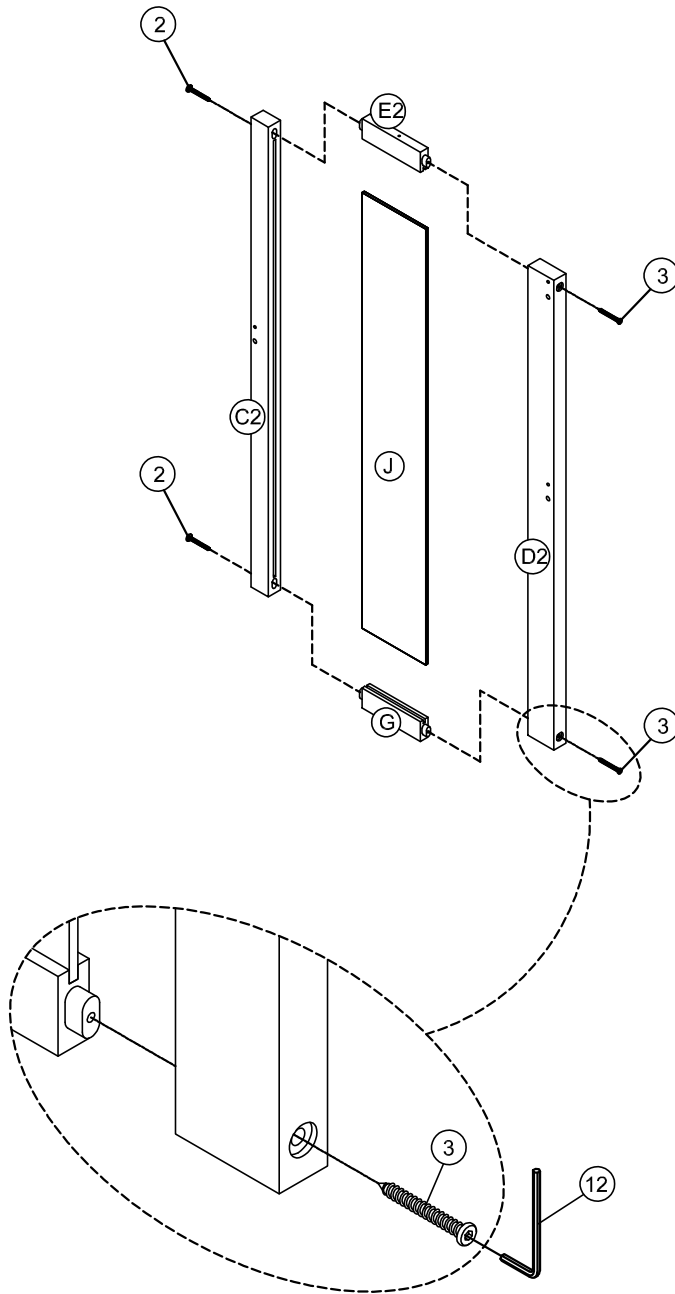
# STEP13: Following below illustration.

12	2
	
1pc	3pcs





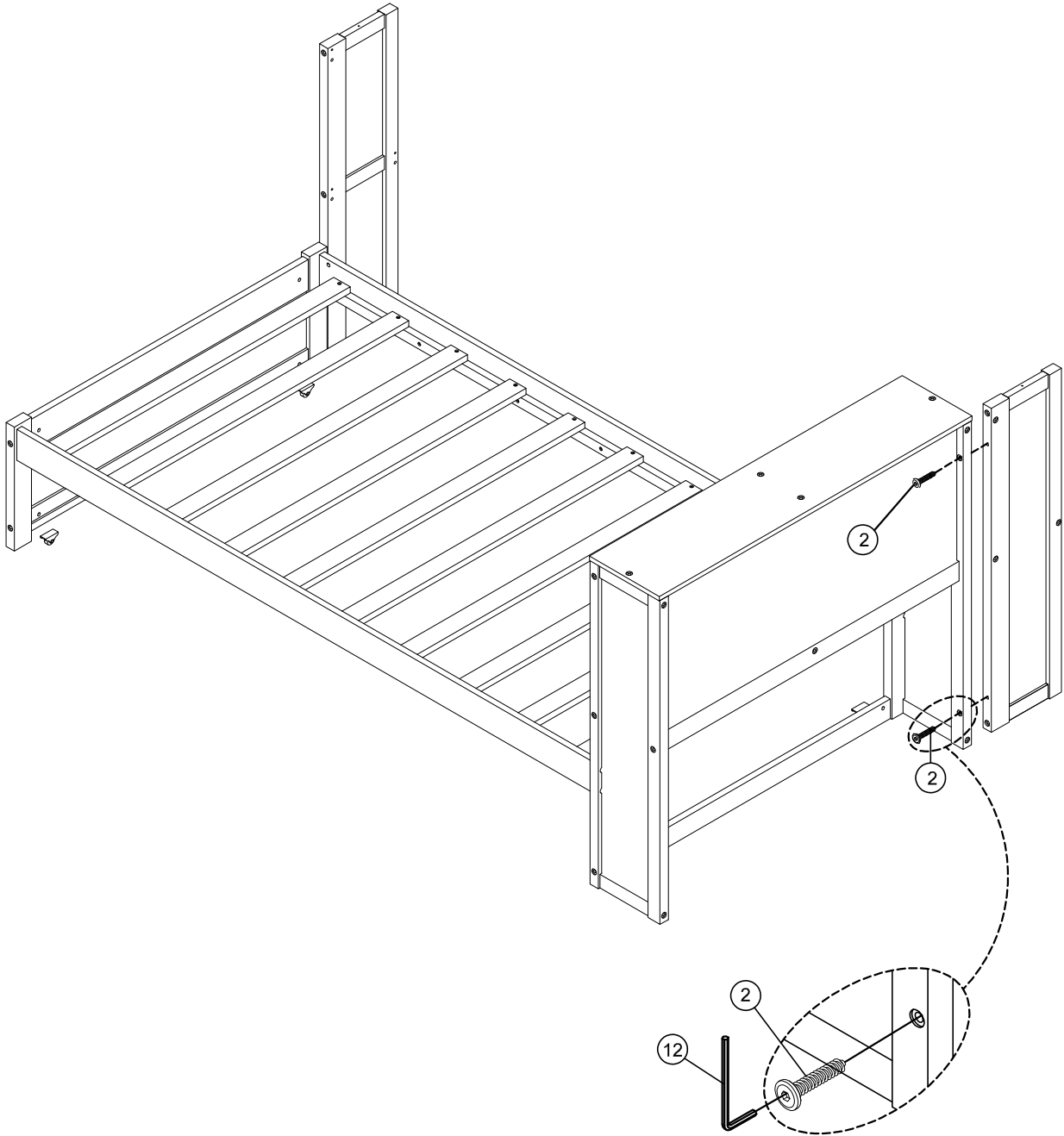
# STEP14: Following below illustration.

12	3	2
		
1pc	2pcs	2pcs







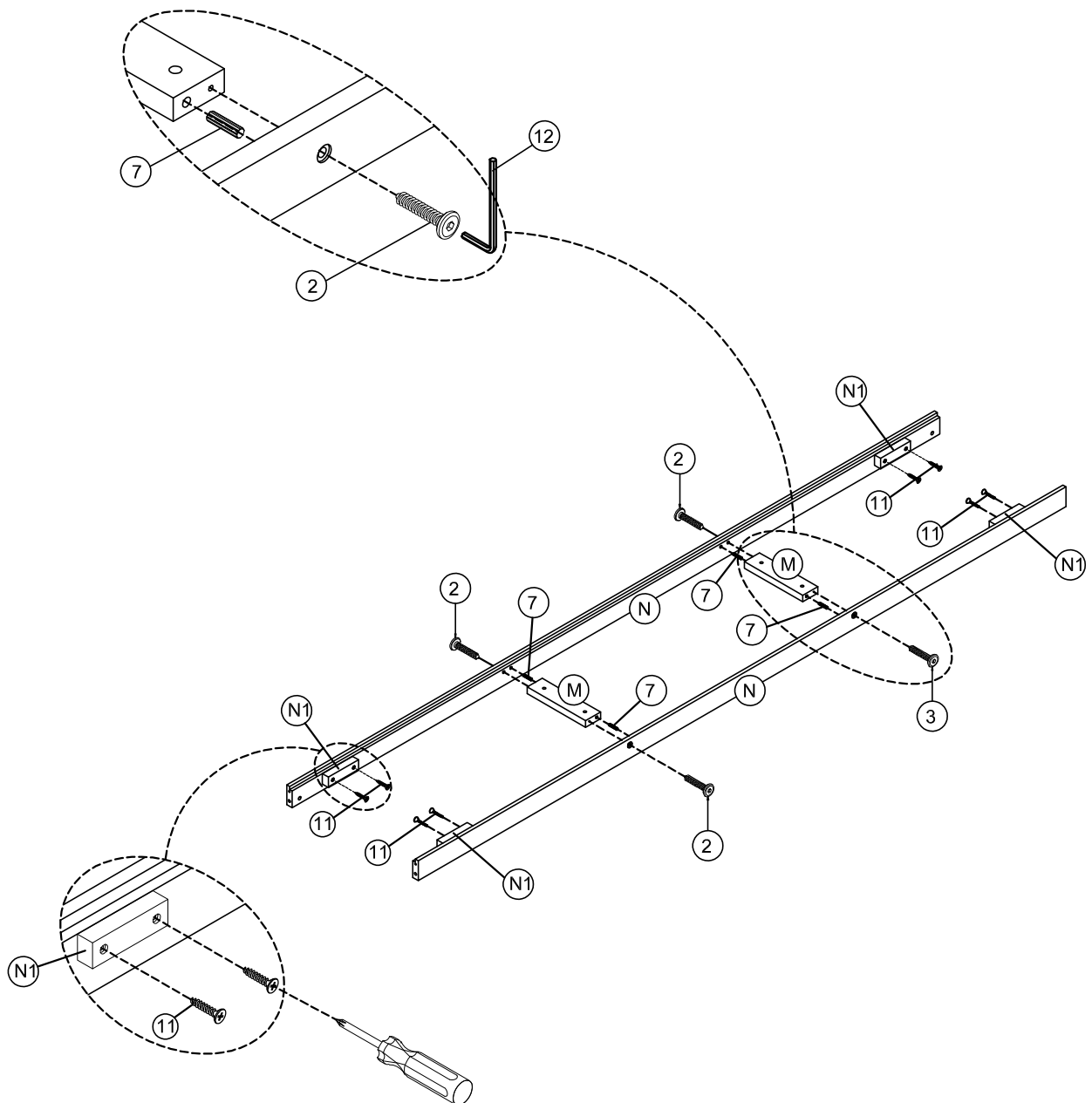
# STEP 15: Following below illustration.

12	2
	
1pc	2pcs







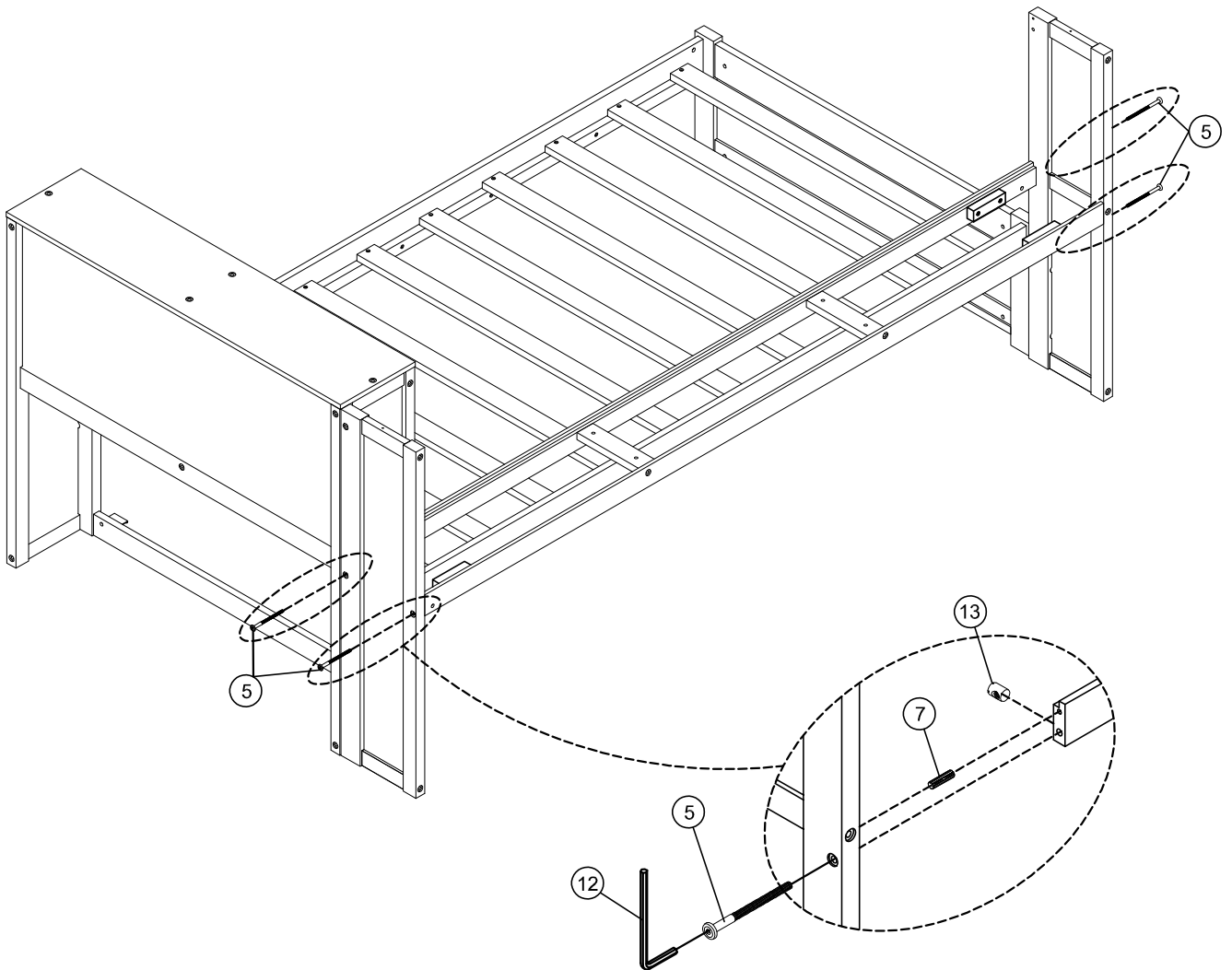
# STEP16: Following below illustration.

<p><b>11</b></p> 	<p><b>7</b></p> 	<p><b>2</b></p> 
<p>8pcs</p>	<p>4pcs</p>	<p>4pcs</p>
<p><b>12</b></p> 		
<p>1pc</p>		



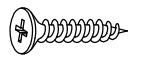
# STEP17: Following below illustration.

12		7		5	
	1pc		4pcs		4pcs
13					
					
4pcs					

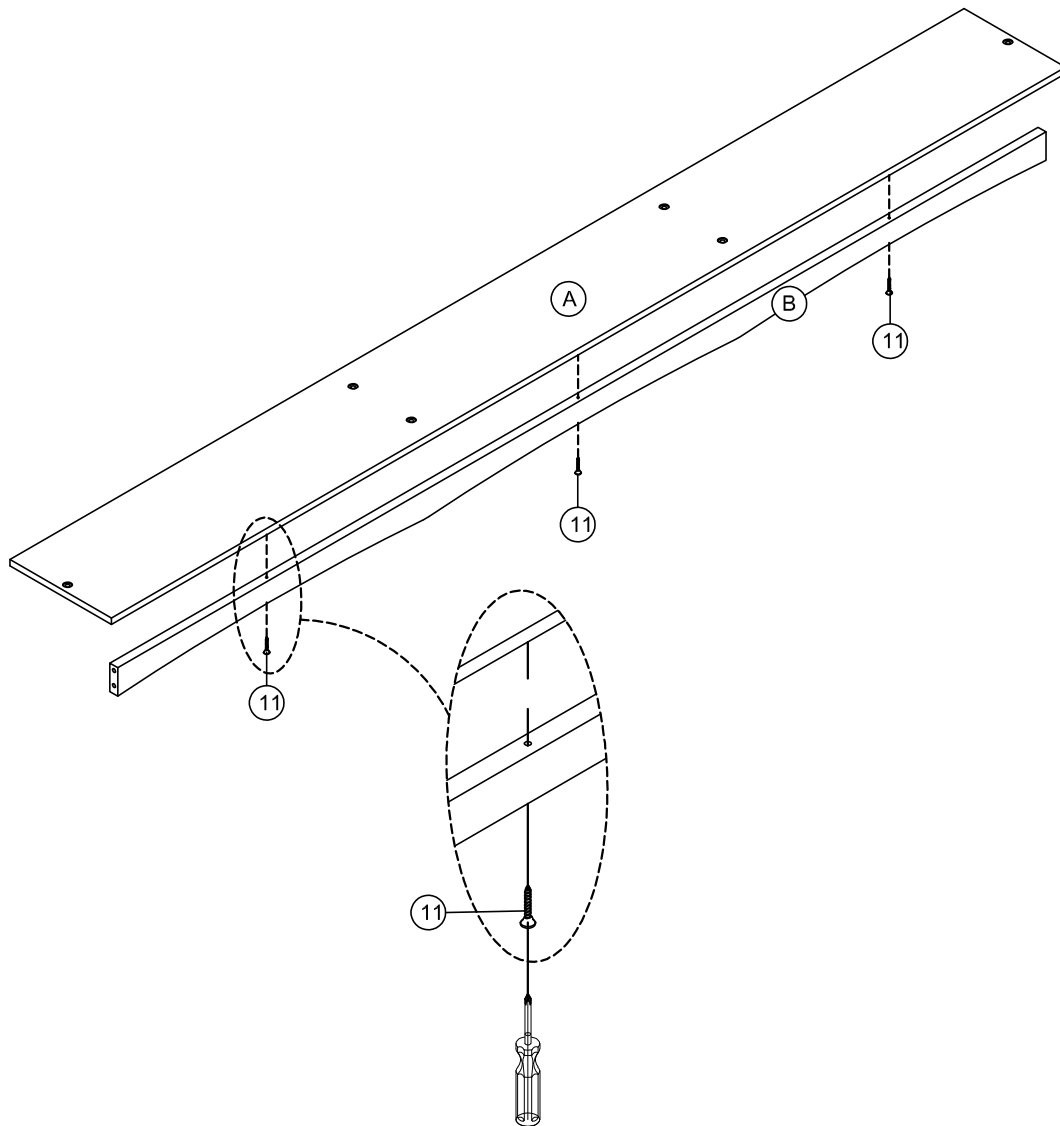


**STEP18:** Following below illustration.

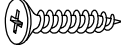


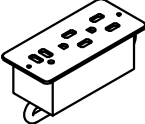


**11**

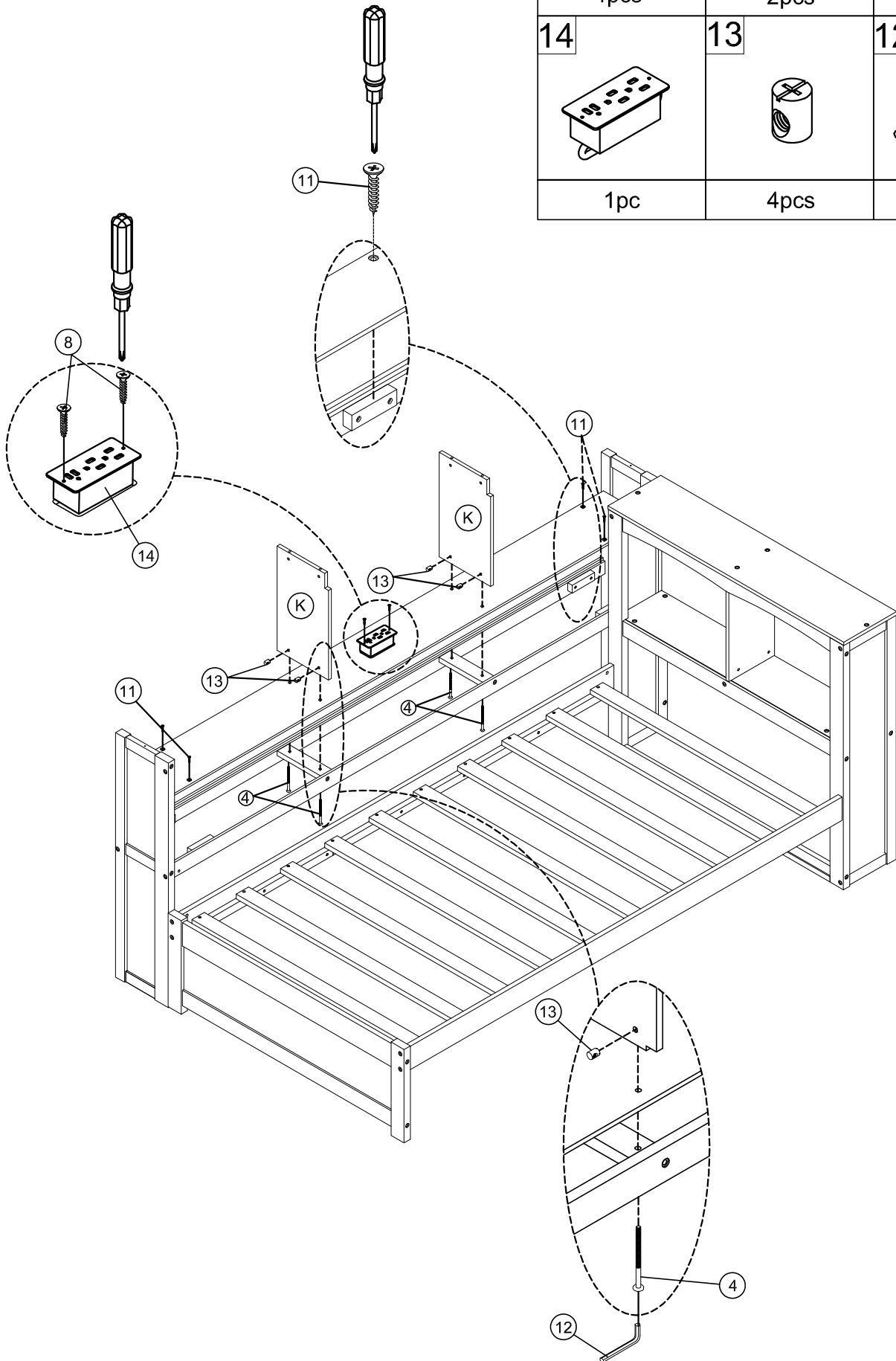


M4 x 30  
3pcs









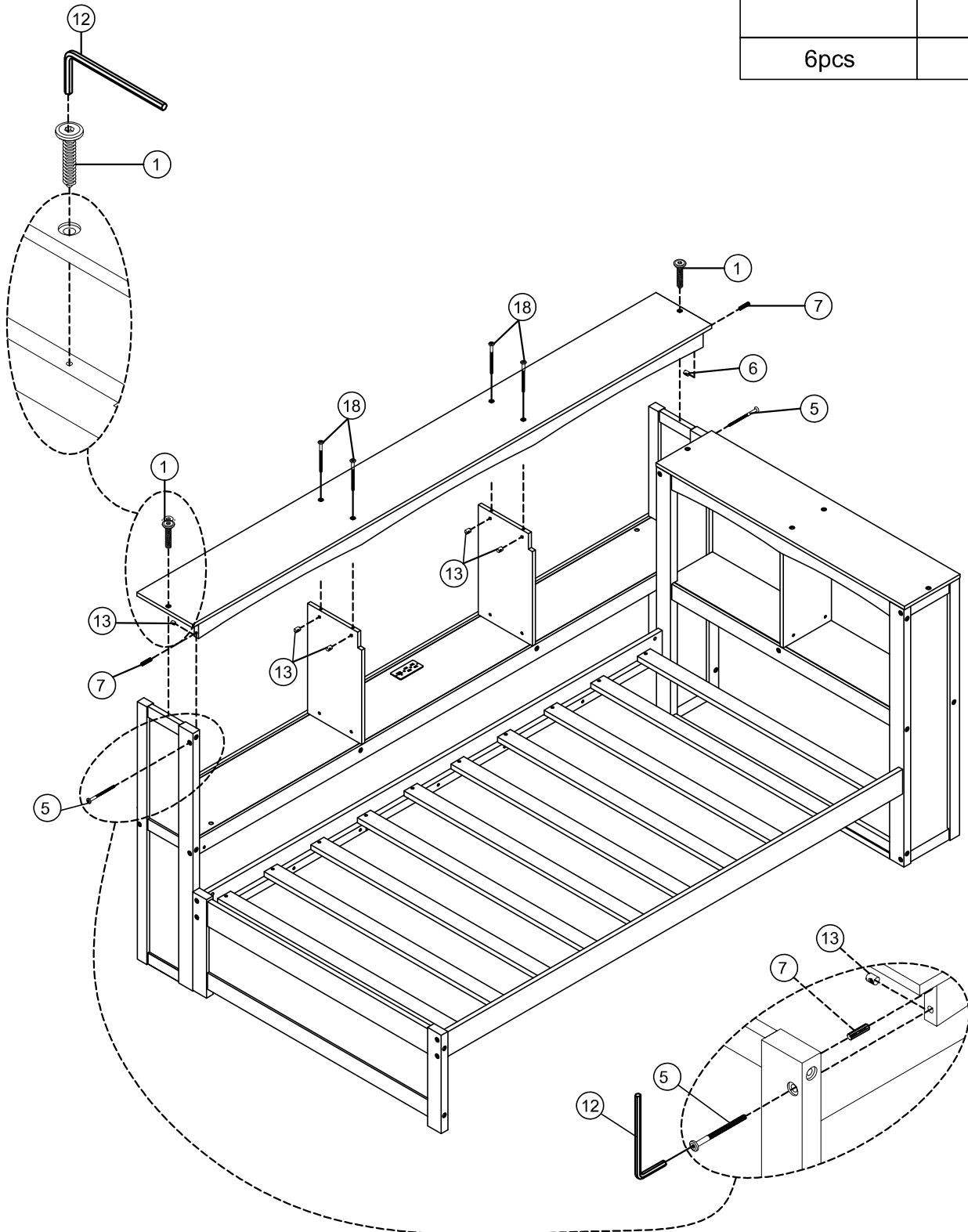
# STEP19: Following below illustration.

<p>11</p> 	<p>8</p> 	<p>4</p> 
<p>4pcs</p>	<p>2pcs</p>	<p>4pcs</p>
<p>14</p> 	<p>13</p> 	<p>12</p> 
<p>1pc</p>	<p>4pcs</p>	<p>1pc</p>



# STEP20: Following below illustration.

<p>7</p> 	<p>5</p> 	<p>18</p> 	<p>1</p> 
<p>2pcs</p>	<p>2pcs</p>	<p>4pcs</p>	<p>2pcs</p>
		<p>13</p> 	<p>12</p> 
		<p>6pcs</p>	<p>1pc</p>

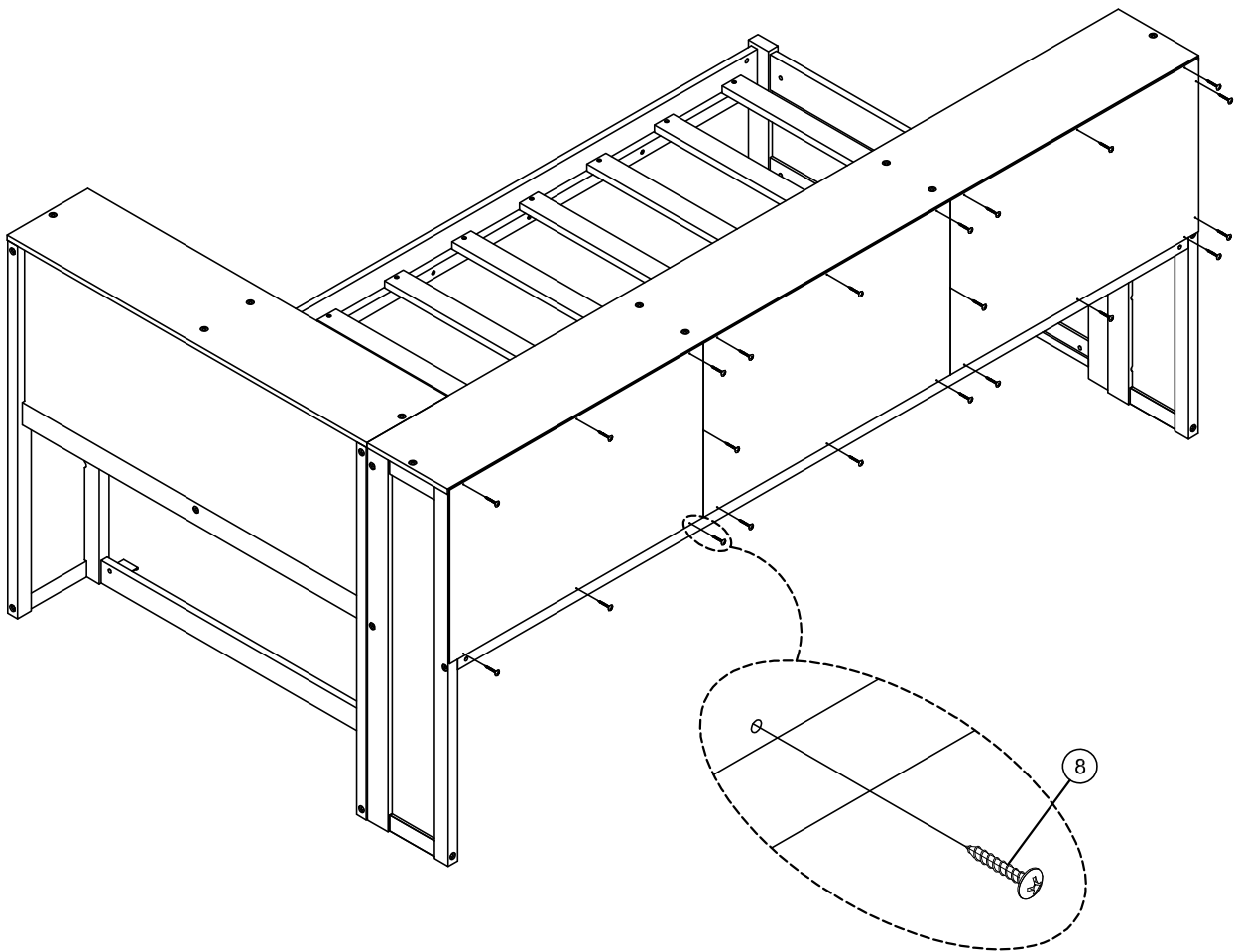


**STEP21:** Following below illustration.

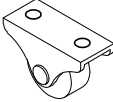
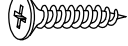
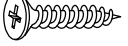
9

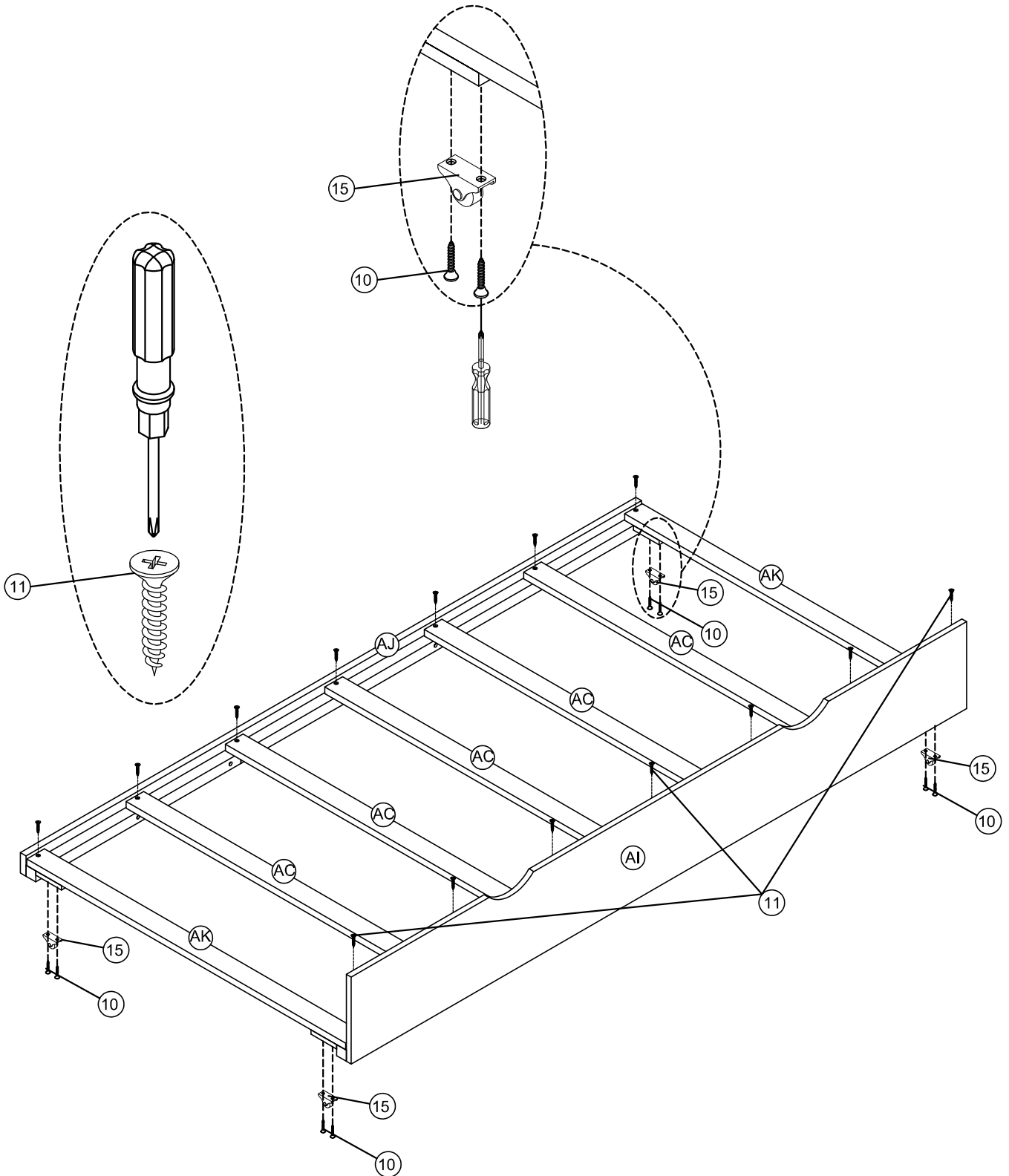


M3 x 15  
20pcs

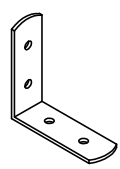



# STEP22: Following below illustration.

15	11	10
		
4pcs	14pcs	8pcs



# STEP23: Following below illustration.

<b>16</b> 	<b>10</b> 
3pcs	12pcs

