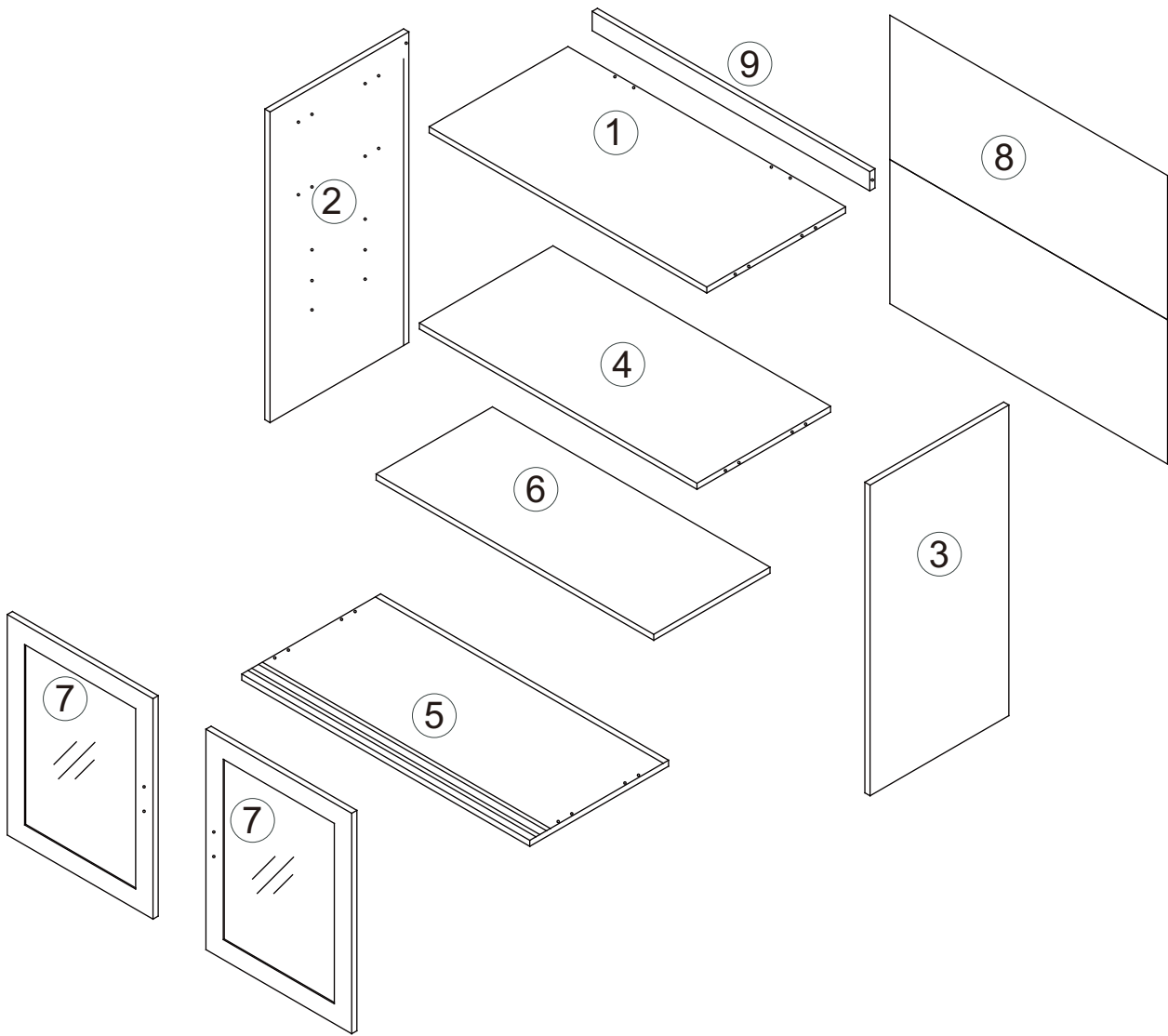



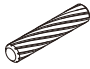

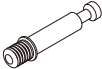
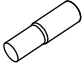

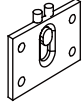


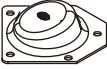




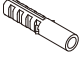


READ AND SAVE THIS INSTRUCTION FOR FUTURE USE

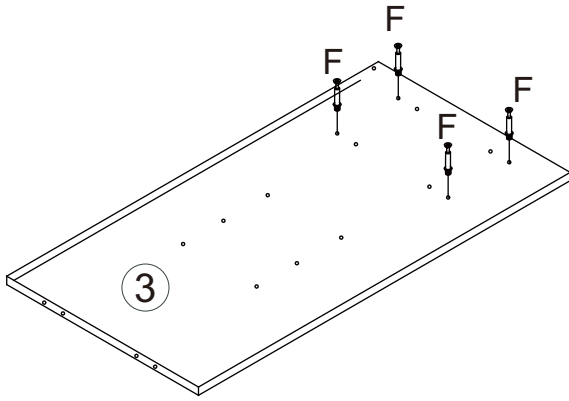
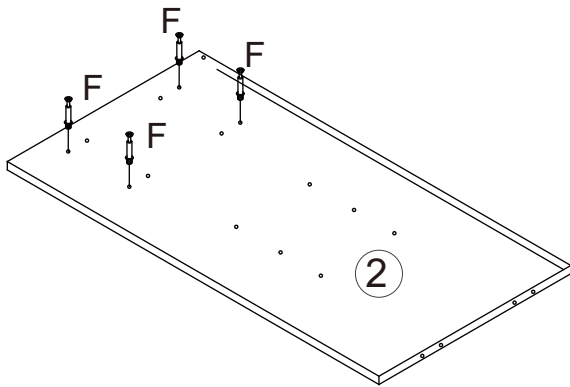
ASSEMBLY INSTRUCTION



									
A	2pcs	B	4pcs	C	8pcs	D	16pcs	E	8pcs
									
F	8pcs	G	4pcs	H	34pcs	I	4pcs	J	4pcs
									
K	8pcs	L	4pcs	M	4pcs	N	20pcs	O	2pcs
									
P	4pcs	Q	2pcs						

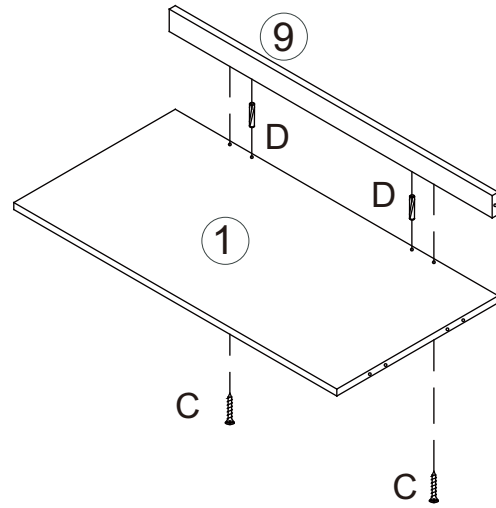
Fx8

01



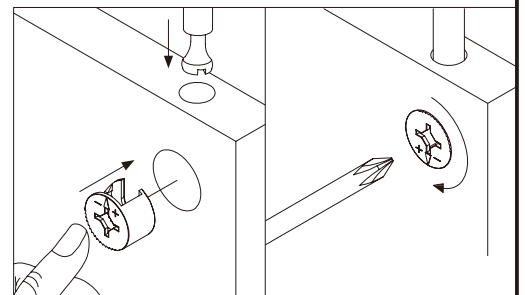
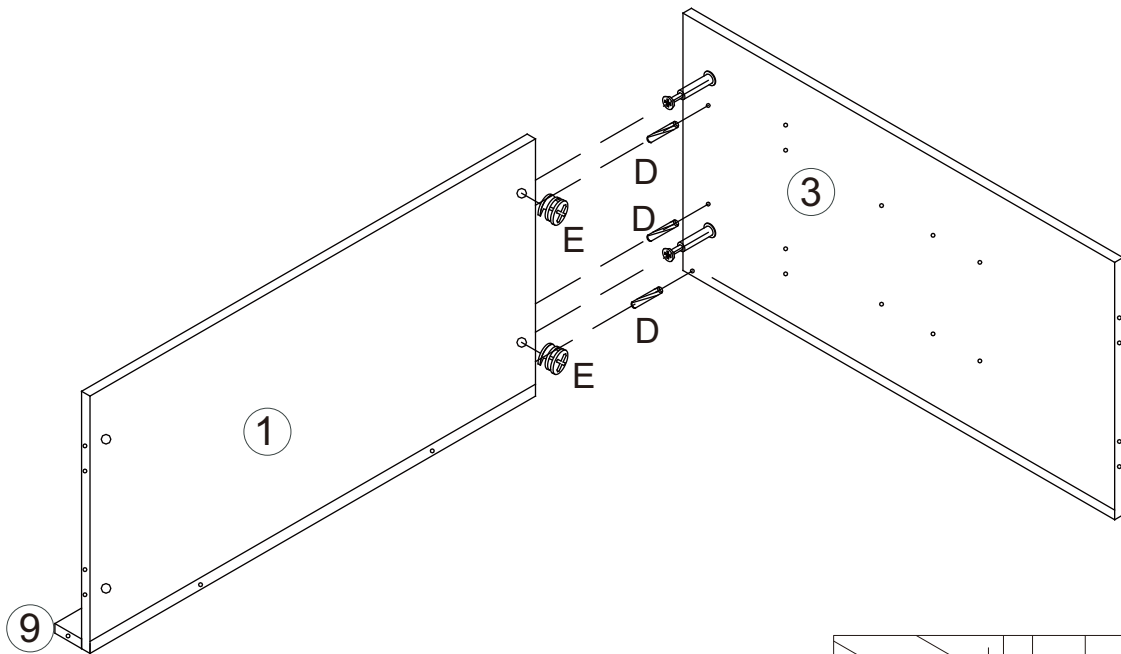
Cx2
Dx2

02

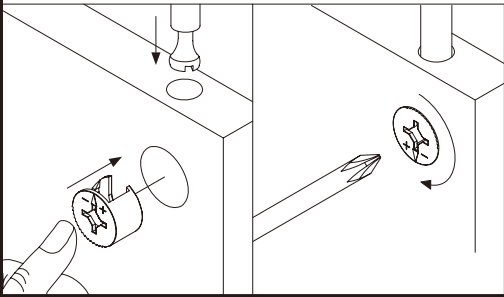
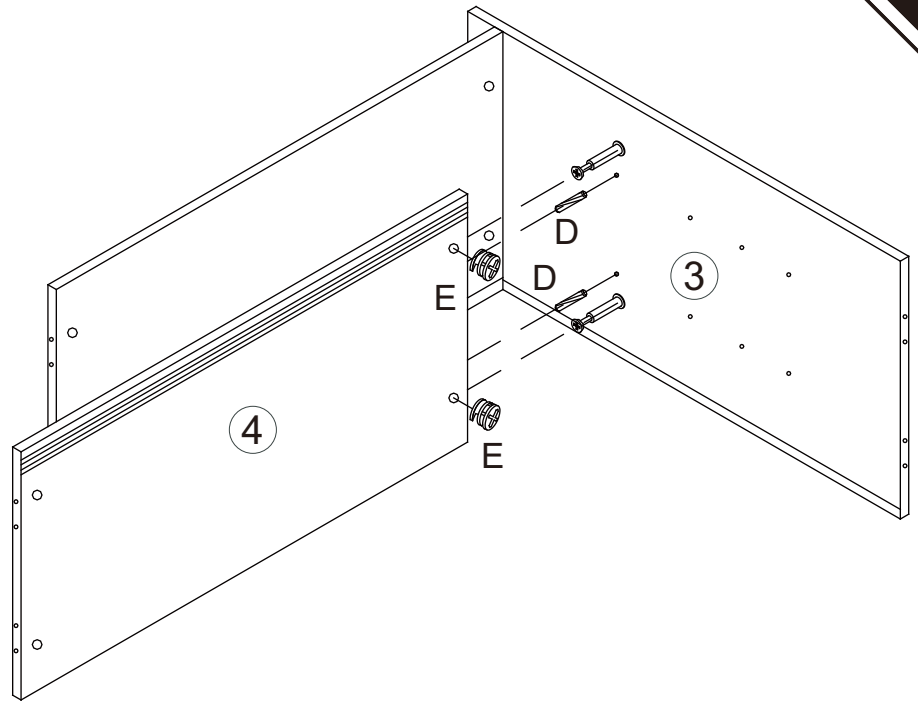


Dx3
Ex2

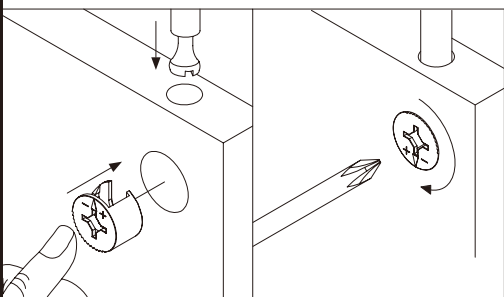
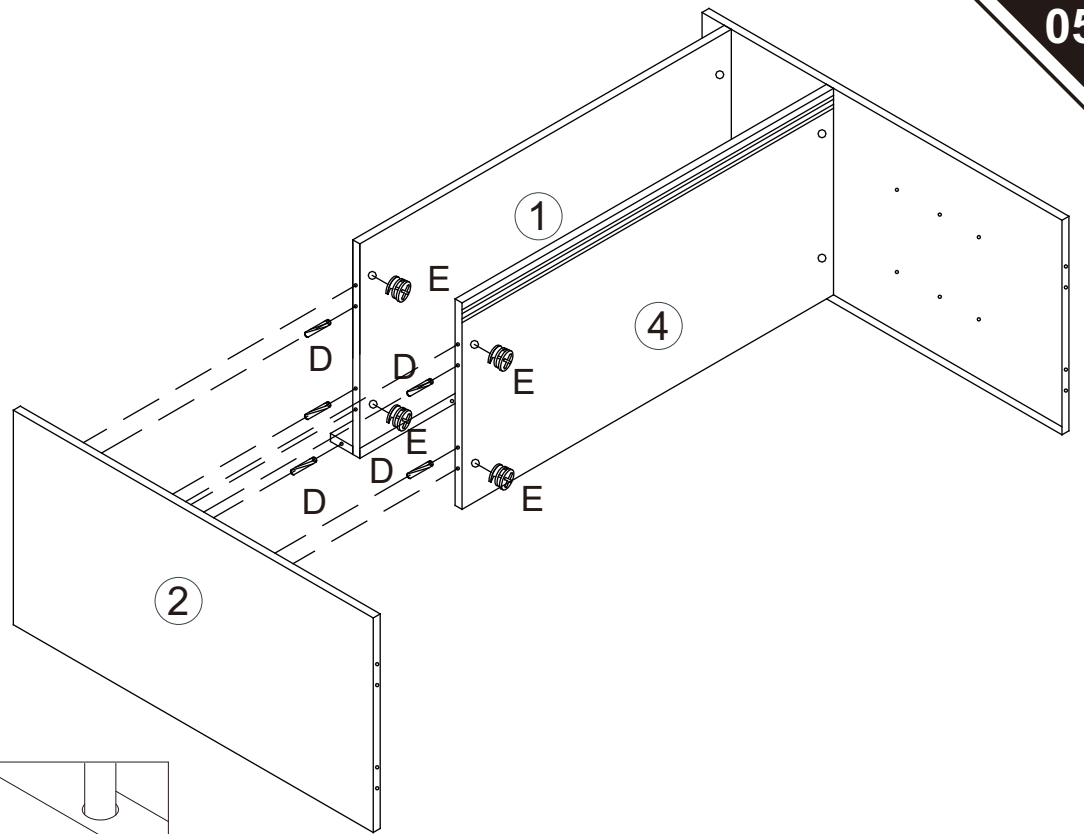
03

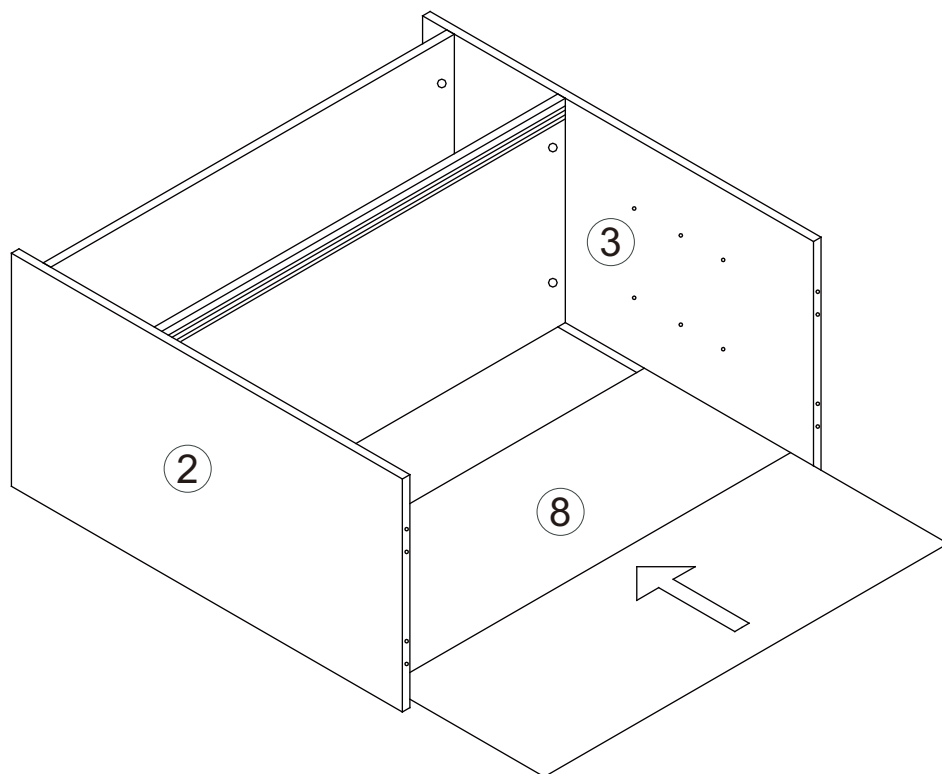


Dx2
Ex2

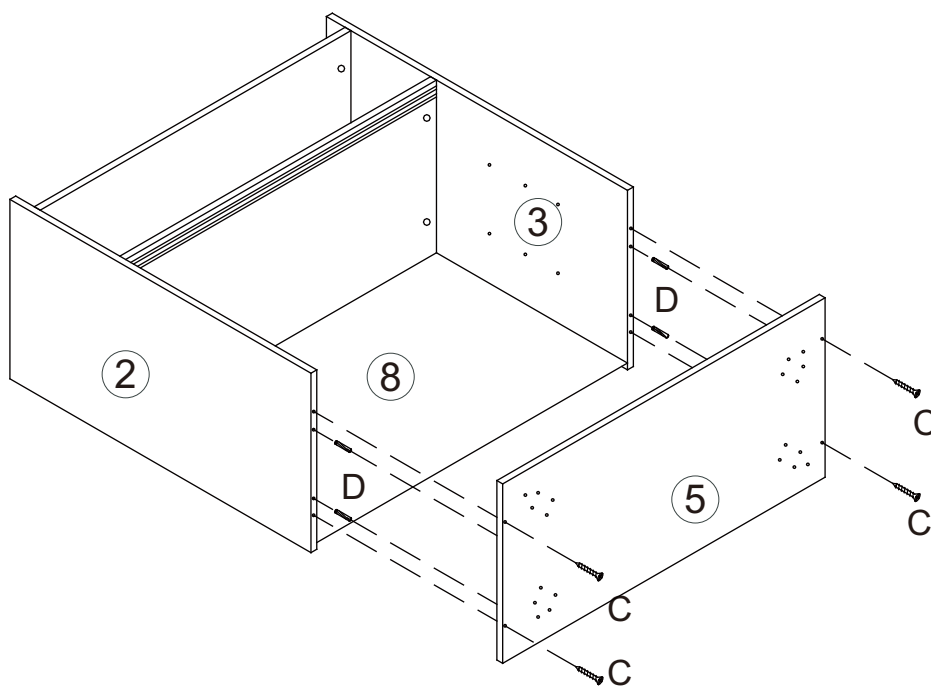


Dx5
Ex4

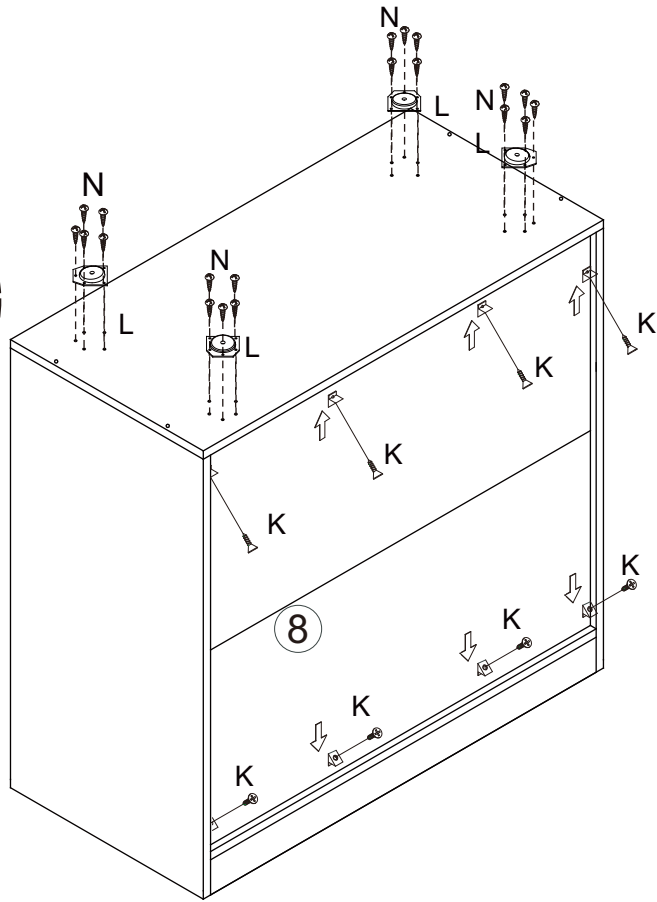
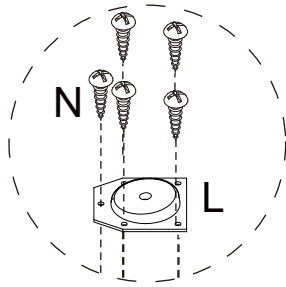




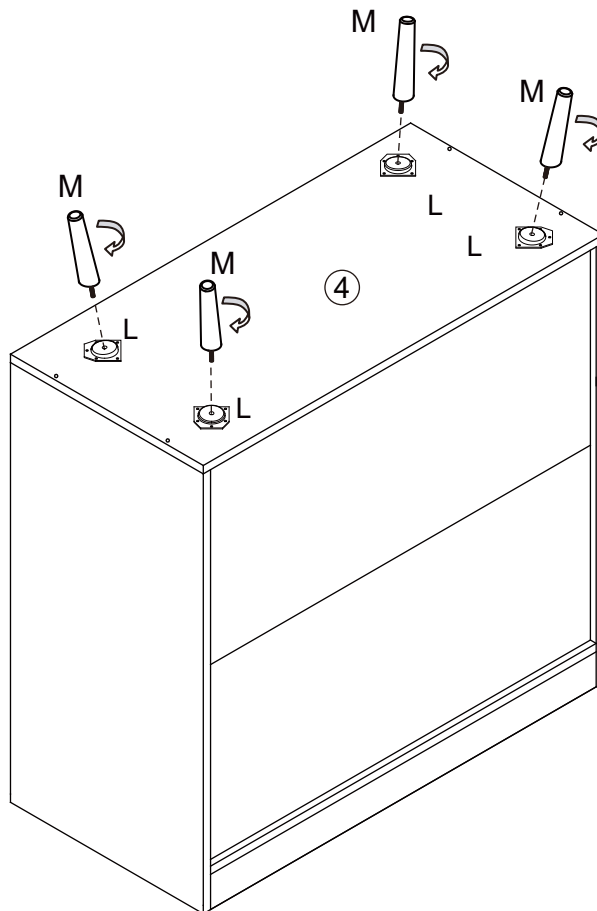
Cx4
Dx4



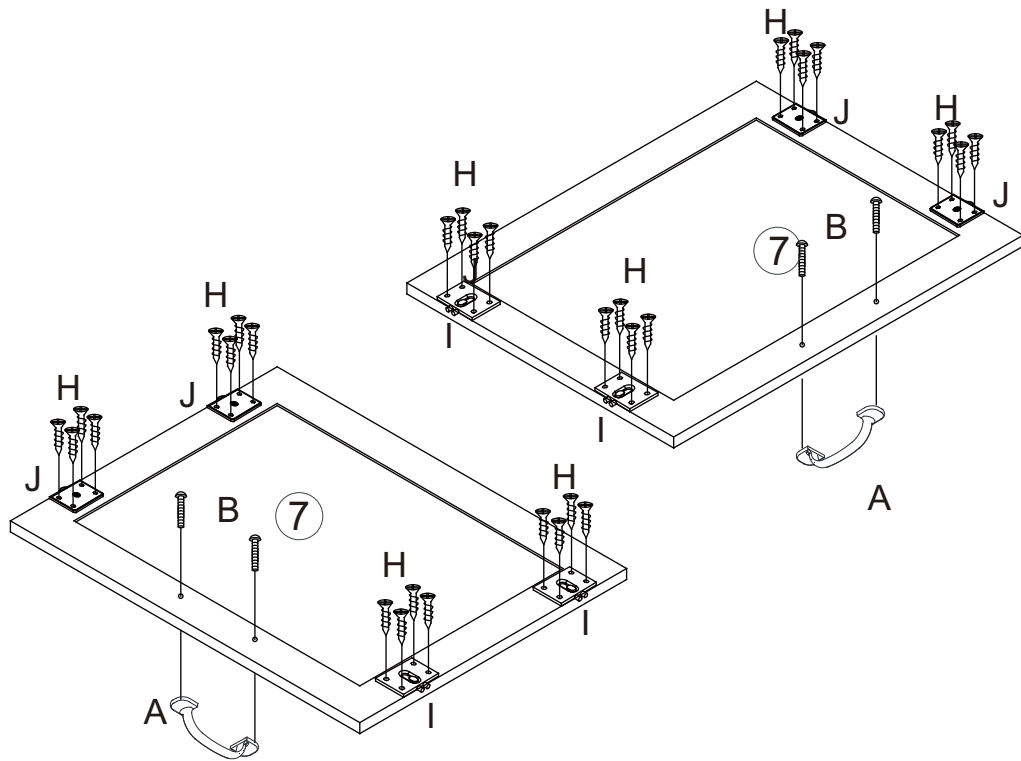
L x4
N x20
K x8



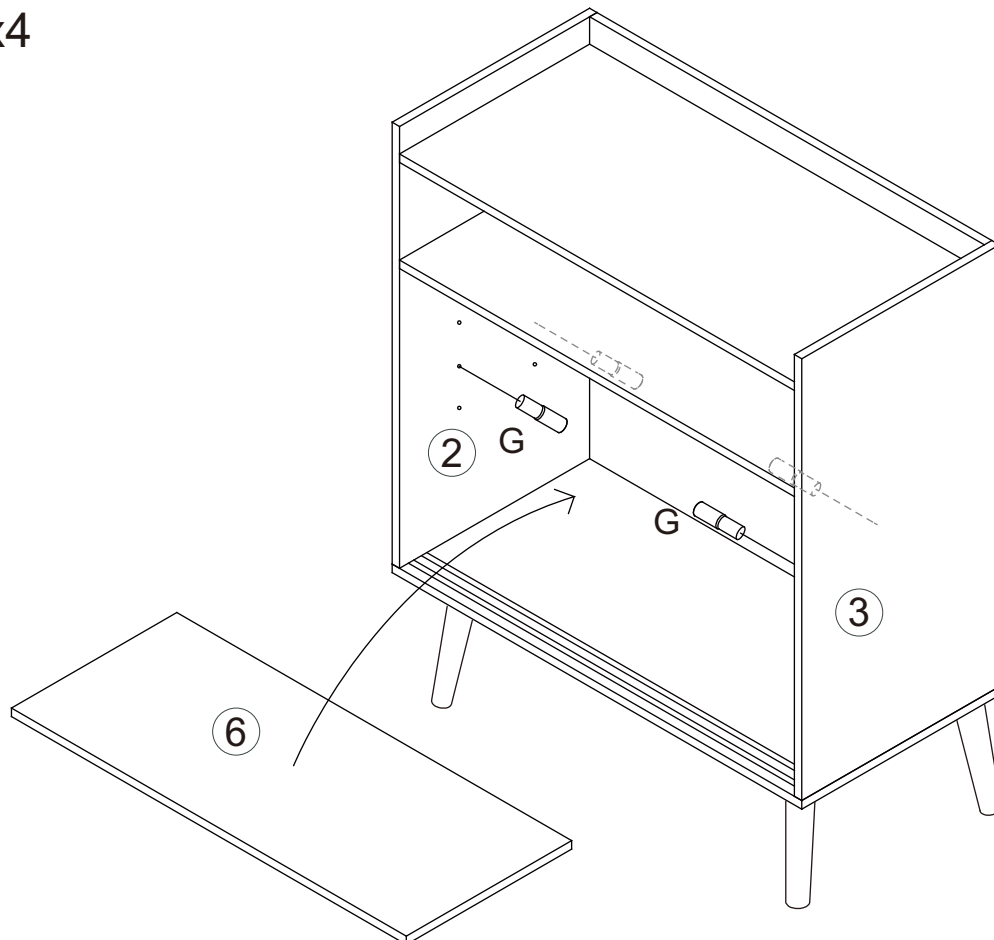
M x4

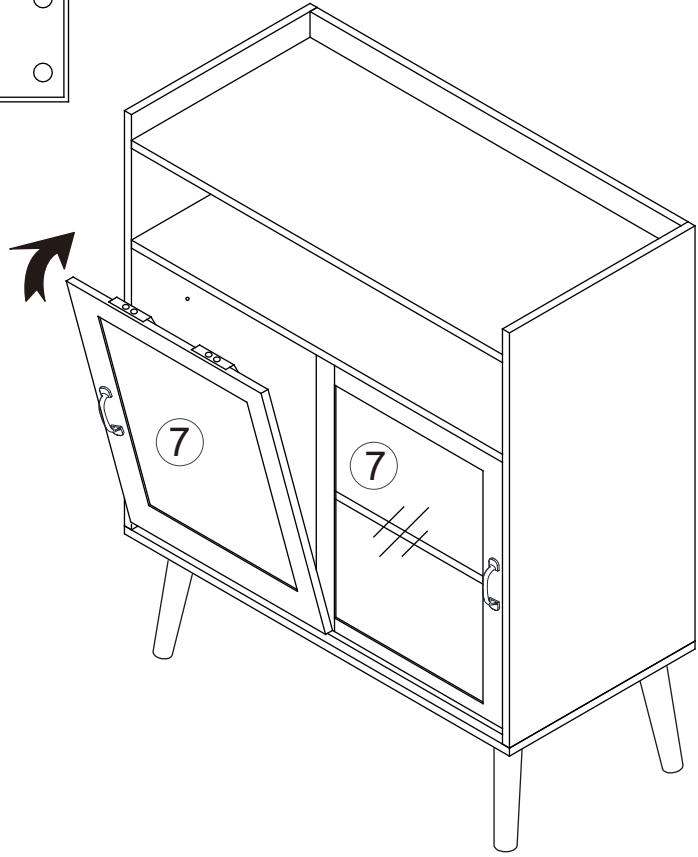
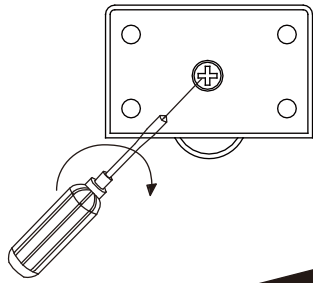
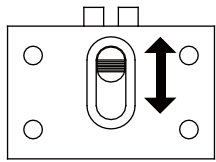


A x2
 B x4
 I x4
 J x4
 H x32

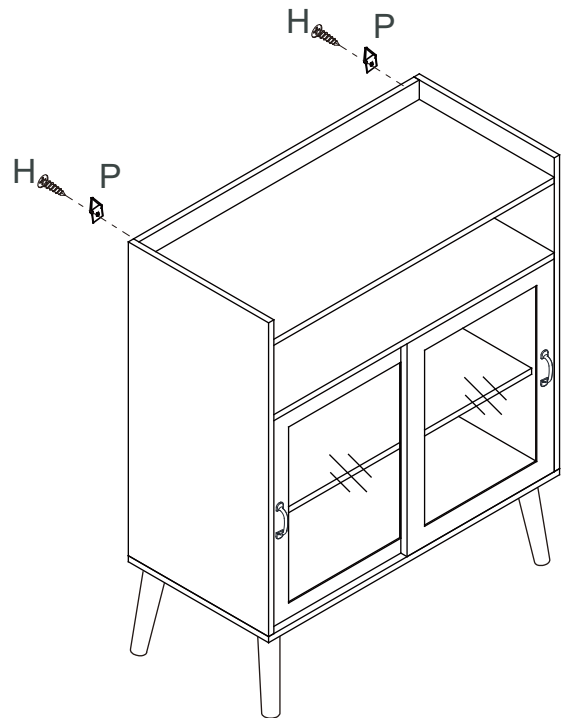
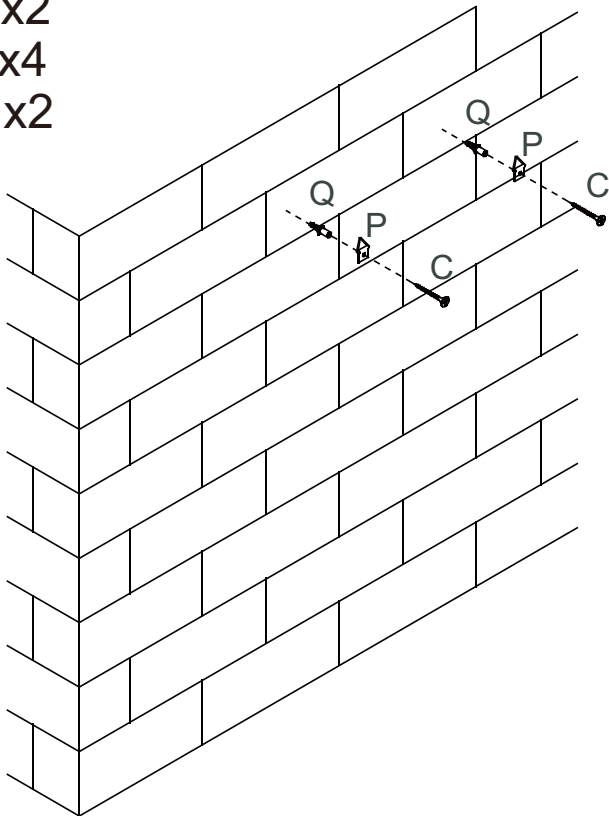


G x4





- H x2
- C x2
- P x4
- Q x2



O x2

