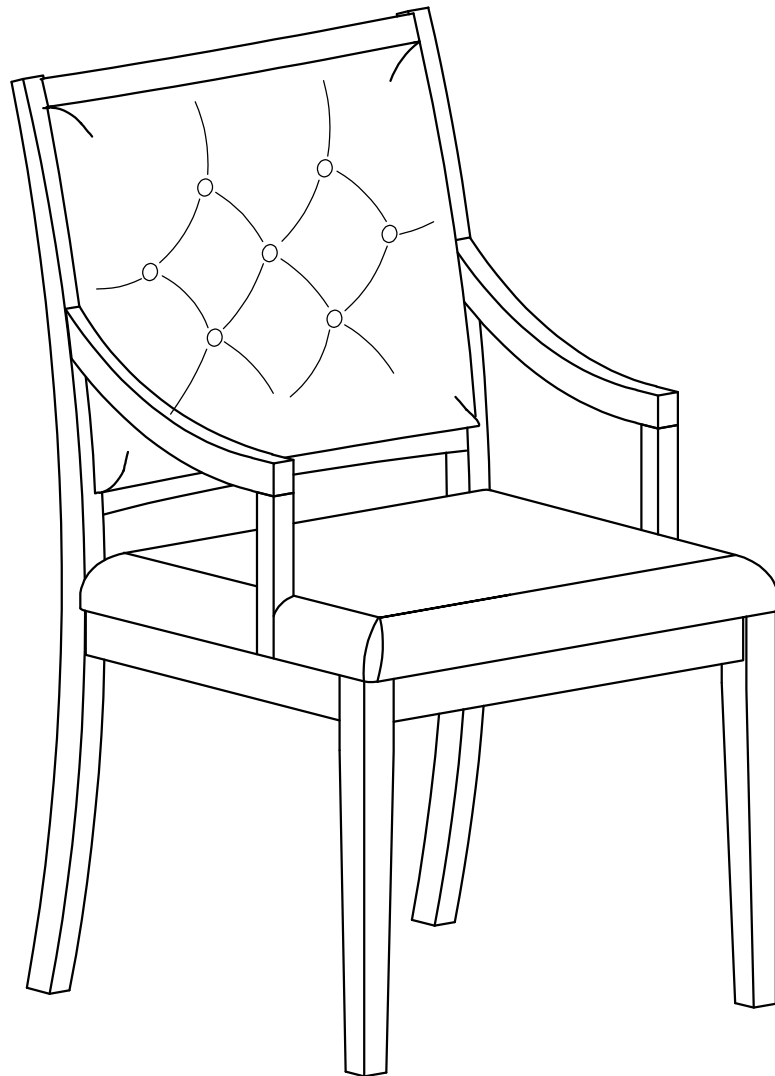


# ASSEMBLY INSTRUCTION

ITEM NO.N715P401054

ITEM NO.N715P401055

## Dining Chair



# ASSEMBLY INSTRUCTION

ITEM NO.N715P401054

ITEM NO.N715P401055

Please read these instructions fully before starting assembly:

1. Place all wooden parts on a clean and smooth surface such as a rug or carpet to avoid scratching the parts.
2. Kindly follow the assembly instructions step by step.
3. Do not tighten all screws and bolts until the table is fully assembled.
4. Unscrew the protective plastique supports from the metal insert of the table legs before assembly.
5. Parts of the assembly will be easier with 2 people.

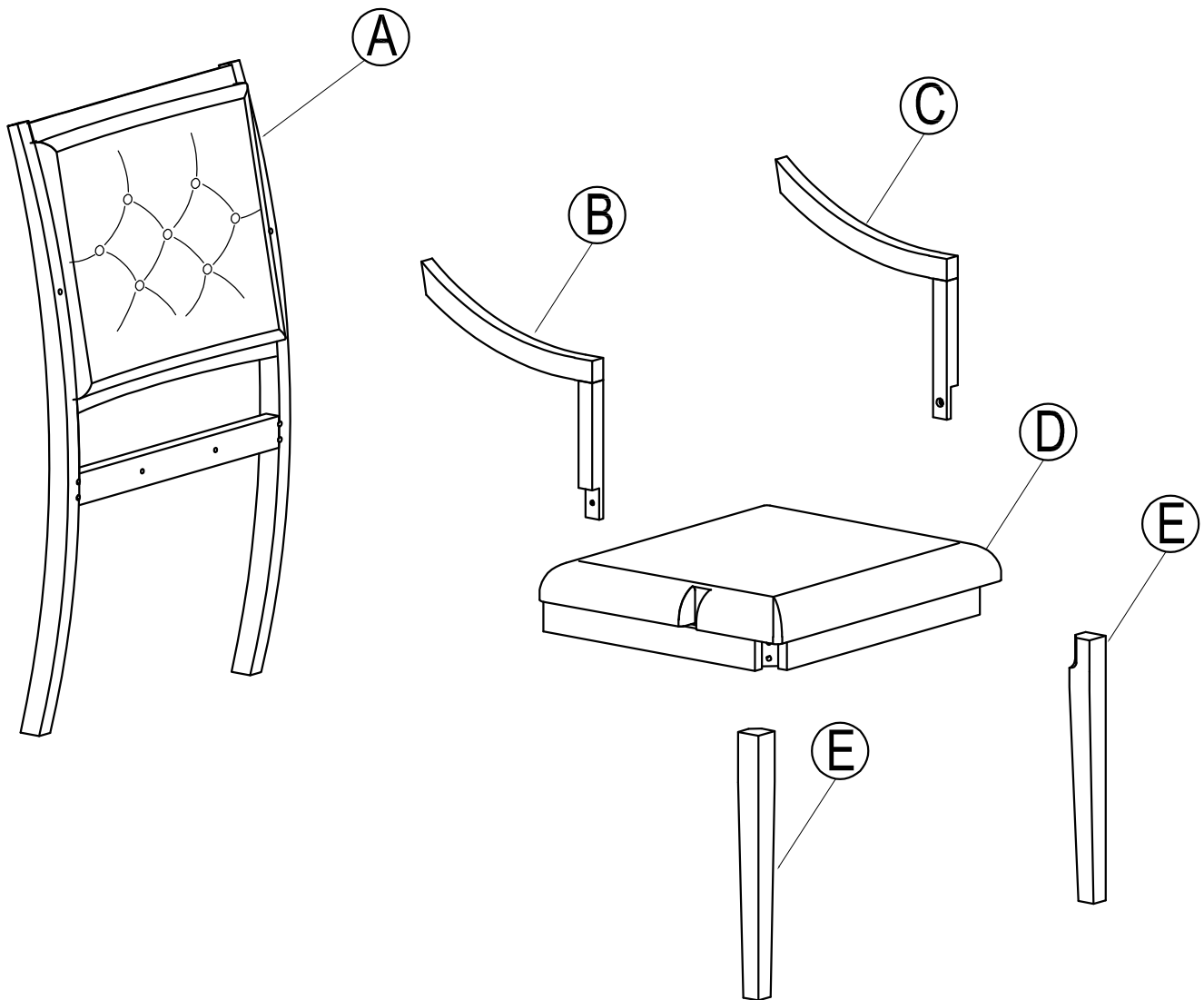
Care and maintenance:

Only clean using a damp cloth and mild detergent, do not use bleach or abrasive cleaners.

# ASSEMBLY INSTRUCTION

ITEM NO.N715P401054

ITEM NO.N715P401055



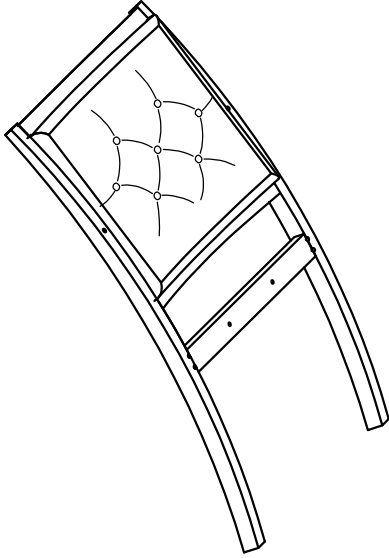
# ASSEMBLY INSTRUCTION

ITEM NO.N715P401054

ITEM NO.N715P401055

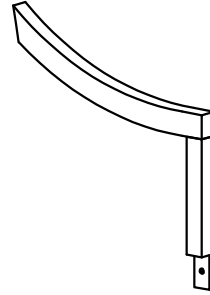
## Part List For 2

(A)



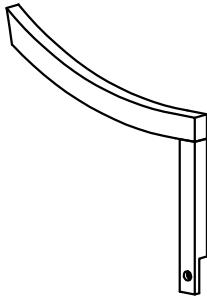
BACK FRAME (2 pcs)

(B)



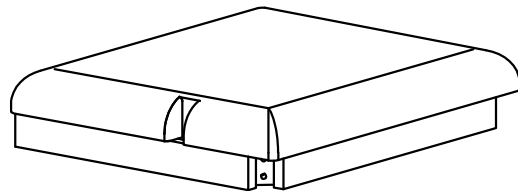
LEFT ARMREST (2 pcs)

(C)



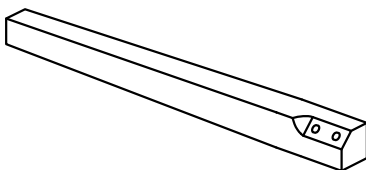
RIGHT ARMREST (2 pcs)

(D)



SEAT FRAME (2 pcs)

(E)



LEG (4 pcs)

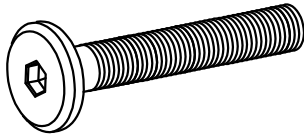
# ASSEMBLY INSTRUCTION

ITEM NO.N715P401054

ITEM NO.N715P401055

## Hardware List For 2

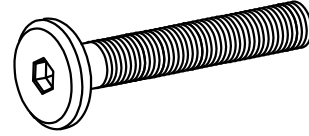
①



Ø 1/4" x 25 mm

BOLT (4 pcs)

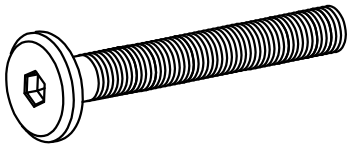
②



Ø 1/4" x 40 mm

BOLT (4 pcs)

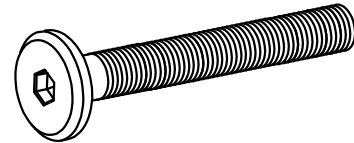
③



Ø 1/4" x 45 mm

BOLT (4 pcs)

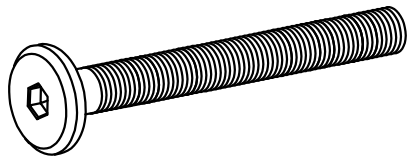
④



Ø 1/4" x 55 mm

BOLT (8 pcs)

⑤



Ø 1/4" x 75 mm

BOLT (8 pcs)

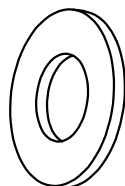
⑥



Ø5/16" x 13 mm

LOCK WASHER (28 pcs)

⑦



Ø5/16" x 19 x 2 mm

FLAT WASHER (20 pcs)

⑧



4 mm

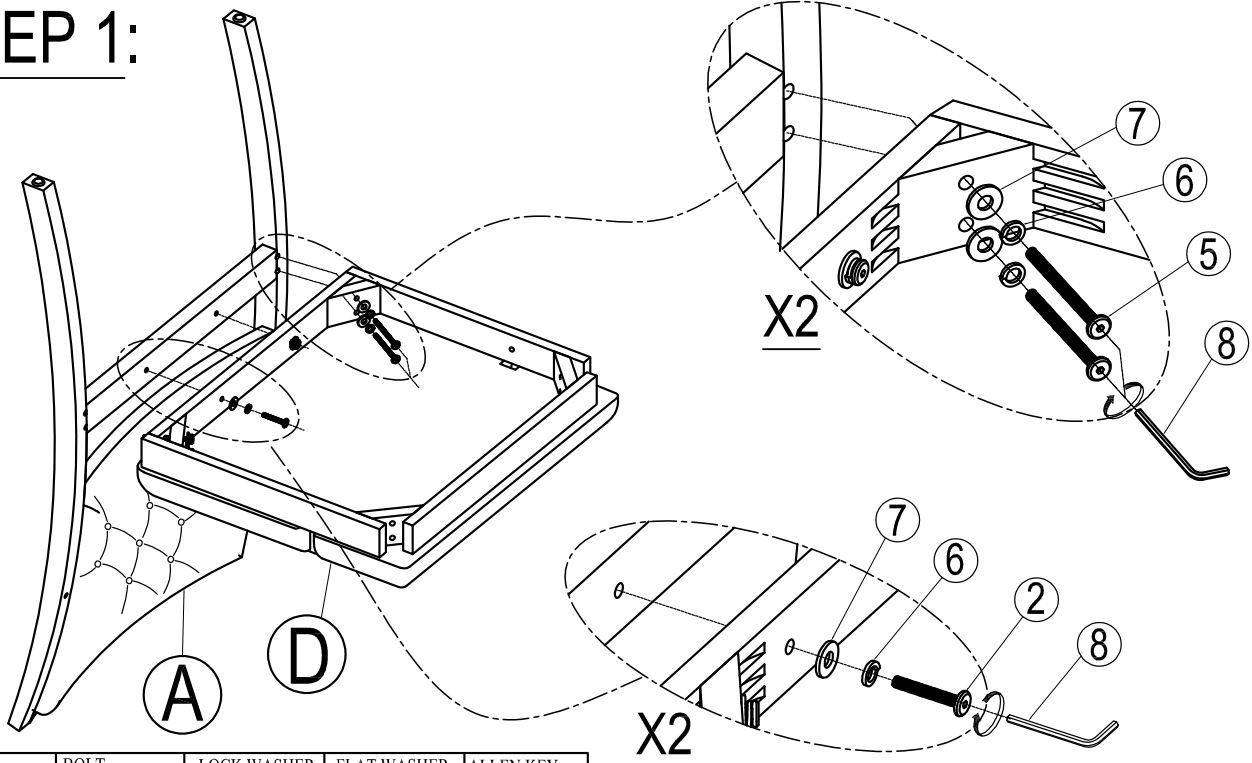
ALLEN KEY (2 pcs)





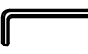
# ASSEMBLY INSTRUCTION

ITEM NO.N715P401054

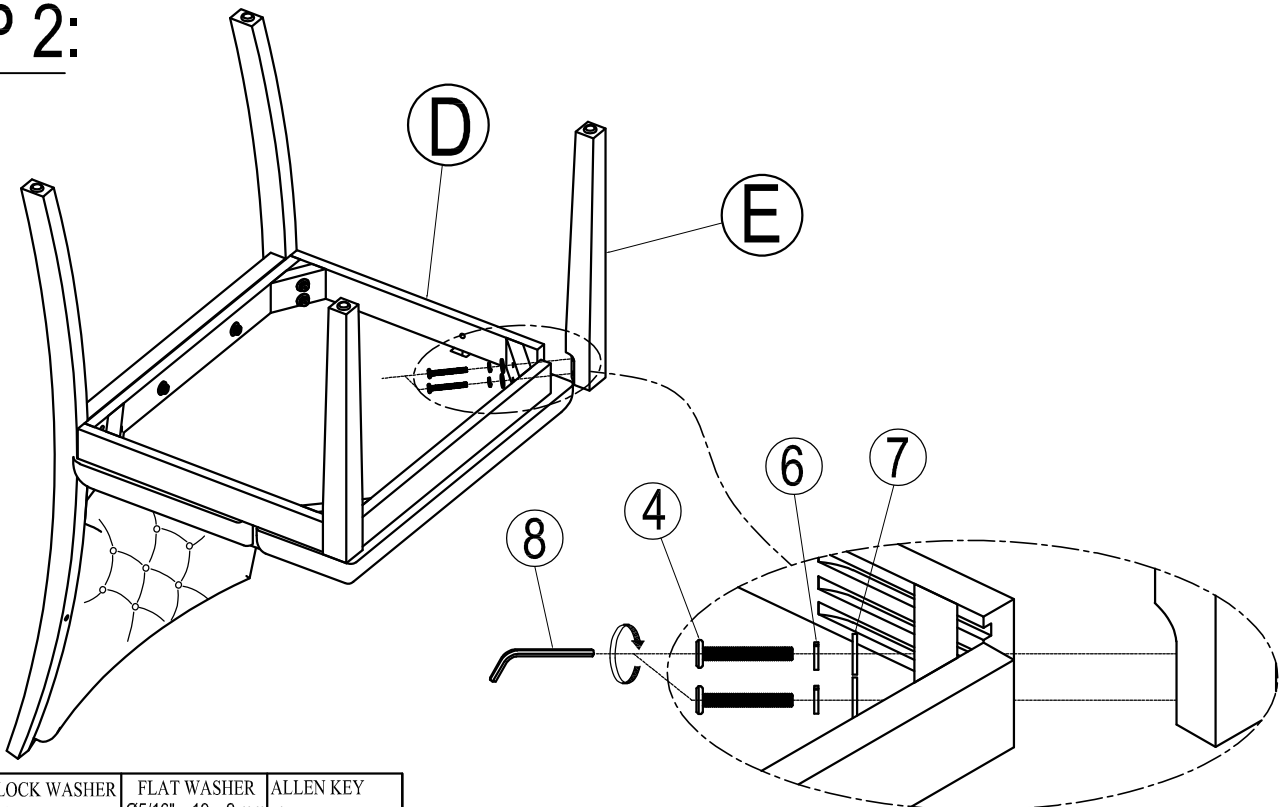
ITEM NO.N715P401055





## STEP 1:



BOLT Ø 1/4" x 40 mm  ② x 4	BOLT Ø 1/4" x 75 mm  ⑤ x 8	LOCK WASHER Ø5/16" x 13 mm  ⑥ x 12	FLAT WASHER Ø5/16" x 19 x 2mm  ⑦ x 12	ALLEN KEY 4 mm  ⑧ x 1
---	--	--	---	---

## STEP 2:



BOLT Ø 1/4" x 55 mm  ④ x 8	LOCK WASHER Ø5/16" x 13 mm  ⑥ x 8	FLAT WASHER Ø5/16" x 19 x 2 mm  ⑦ x 8	ALLEN KEY 4 mm  ⑧ x 1
---	---	---	---

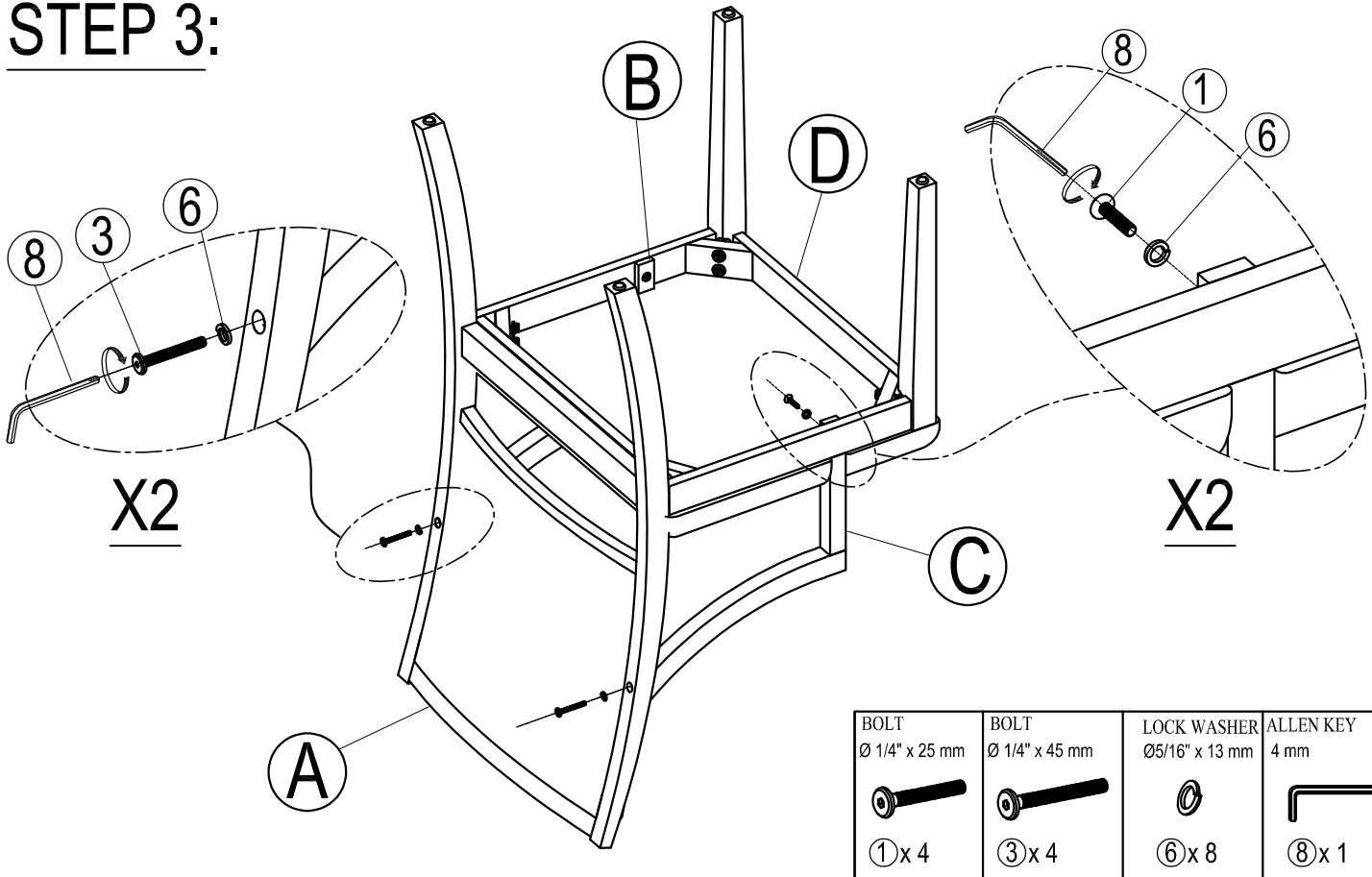
X2

# ASSEMBLY INSTRUCTION

ITEM NO.N715P401054

ITEM NO.N715P401055

## STEP 3:



## COMPLETE

