

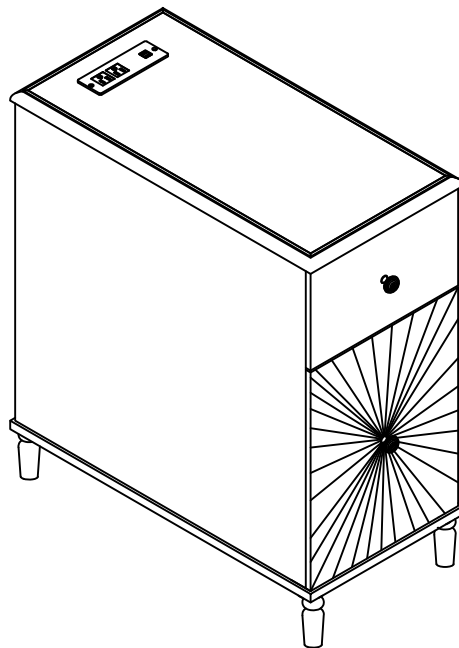
Dear valued customer,

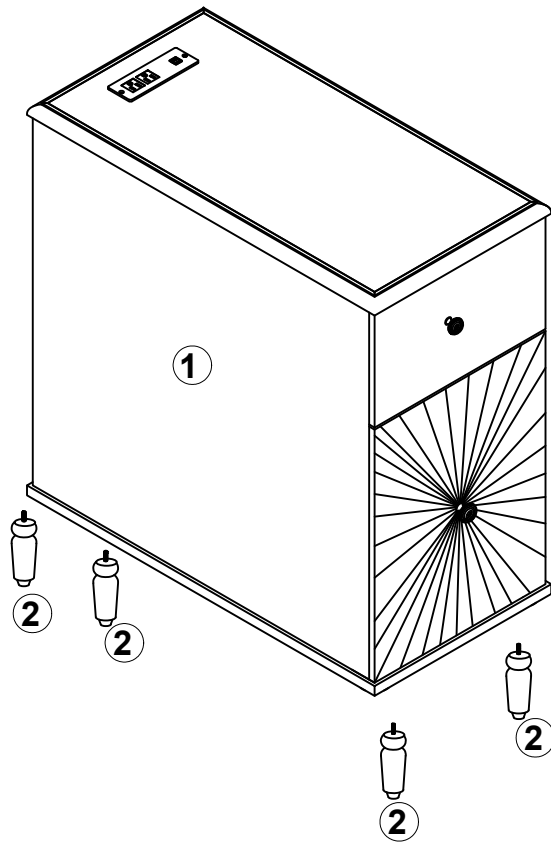
Thanks for choosing our furniture.

The end table is all set up, except for the legs which are conveniently stored in the drawer. It will only take a few minutes to attach them. When screwing, please put the packing sponge underneath to avoid surface scratches.

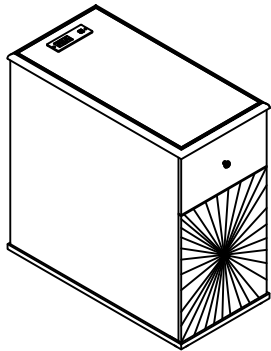
Any problem with our furniture, please feel free to contact us with your order ID. Our customer service will help to solve the problem for your ASAP Email: Bestowemail@163.com

Hope our furniture meets your expectation and all the best for you and your family.





1



X 1

2



X 4

1

Leveling the table by nails

