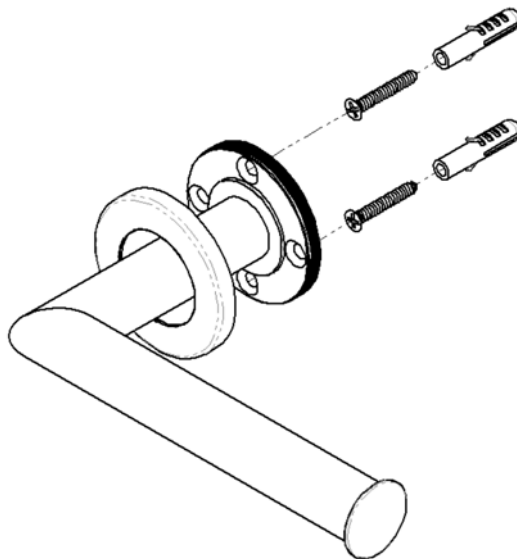


Toilet Roll Holder

Fitting Instructions

We recommend consulting a professional if you are unfamiliar with installing hardware fixtures.



1. Unscrew the outer rose and slide it off carefully (ensuring not to damage the product finish) to view the fixing holes.
2. Position the product on the wall in the desired location.
3. Mark the top and bottom screw positions.

Hint: To stop drill wandering on a tiled surface, apply masking tape to the wall before marking the fixing holes.

4. Drill the two holes using a suitable drill bit and insert the wall plugs.
5. Position the product back on the wall and locate the drilled holes.
6. Insert the screws and tighten until the product is firmly secured.
7. Screw the outer rose back onto the product.
8. Make sure part is secure before the intended function.

Please note that although four fixing holes are included with this product, only two screws are provided as this is suitable for the amount of weight/strain put on the product.

Drawings are not to scale.
