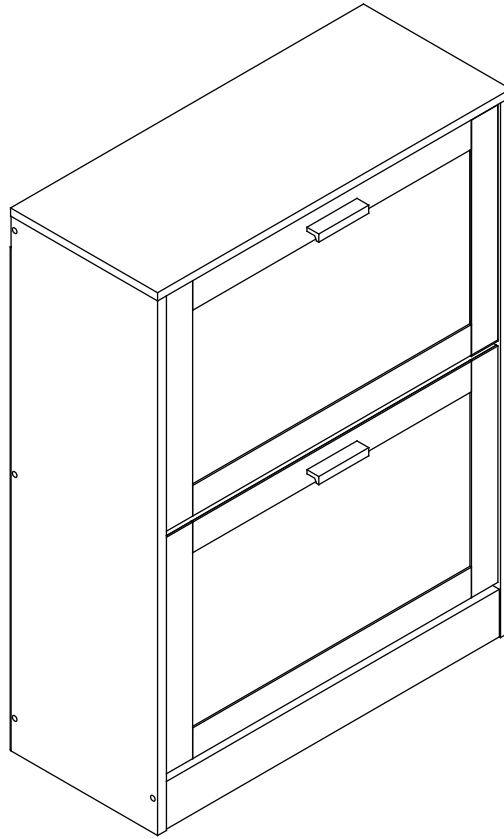


# Assembly Instructions

**PWS-SR3046-WH**  
**2 TIER SHOE CABINET**



THIS INSTRUCTION BOOKLET CONTAINS **IMPORTANT** SAFETY INFORMATION. PLEASE READ AND KEEP FOR FUTURE REFERENCE.

### Do Not Return This Product!

Contact our customer service team for help first.

Monday-Friday 9am - 5pm CST

Visit: [support@cenports.com](mailto:support@cenports.com)



## **WARNING**

- Unit can tip over causing severe injury or death.
- Anchor unit to stud in wall (if instructed to).
- Do Not allow children to climb on unit.
- Put heavy items on lower shelves or drawers.



Assembly Difficulty Meter

# Contact Us!

## Do NOT return this product!

Contact our friendly customer service team first for help



Visit [support@cenports.com](mailto:support@cenports.com)

# Helpful Hints

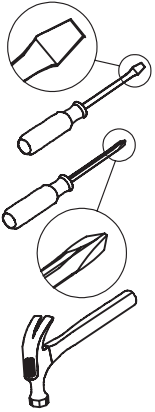
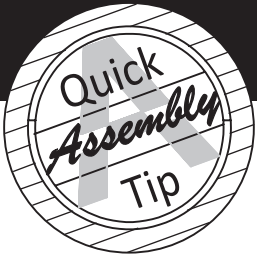
PEOPLE NEEDED FOR ASSEMBLY: **1-2**

ESTIMATED ASSEMBLY TIME: **30 MINUTE**

- Open your item in the area you plan to keep it to avoid excessive heavy lifting.
- Identify, sort and count the parts before attempting assembly.
- Compression dowels are lightly tapped in with a hammer.
- Slides are labeled with a **R** (right) and **L** (left) for proper placement.
- Make sure to always face the point on the top of the Cam Lock towards the outer edge.
- Use all the nails provided for the back panel and spread them out equally.
- Back panel must be used to make sure your unit is sturdy.
- Do NOT use harsh chemicals or abrasive cleaners on this item.
- Never push, pull, or drag your furniture.



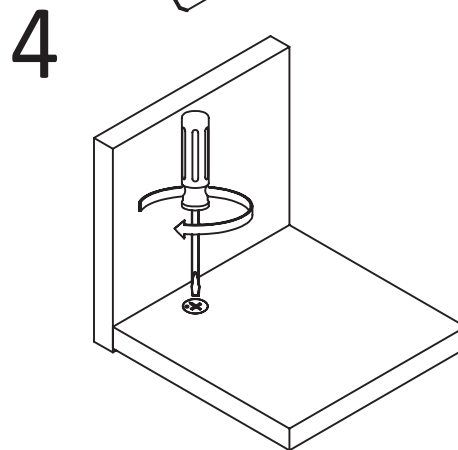
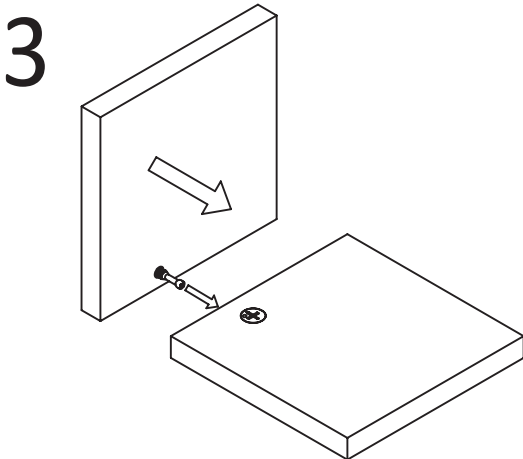
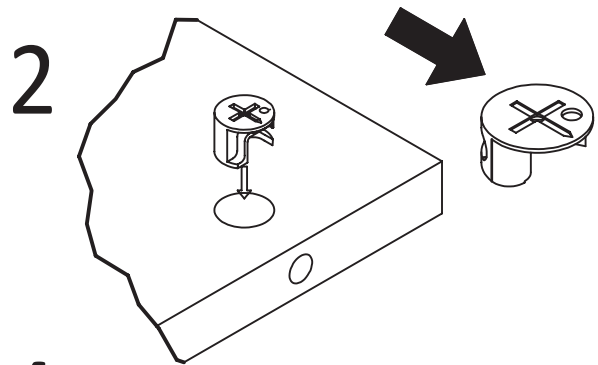
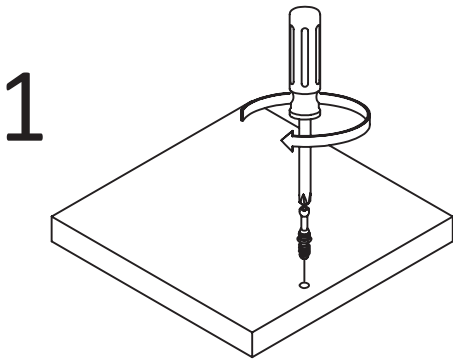
# Before You Start



- ✓ Read through each step carefully and follow the proper order
- ✓ Separate and count all your parts and hardware
- ✓ Give yourself enough room for the assembly process
- ✓ Have the following tools: Flat Head Screwdriver, #2 Phillips Head Screwdriver and Hammer
- ✓ Caution: If using a power drill or power screwdriver for screwing, please be aware to slow down and stop when screw is tight. Failure to do so may result in stripping the screw.

# Cam Lock Fastening System

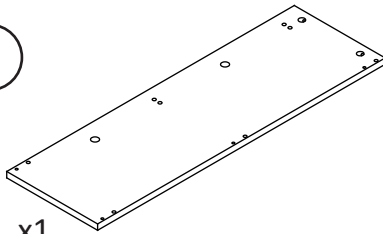
This Cam Lock Fastening System will be used throughout the assembly process.



# Board Identification

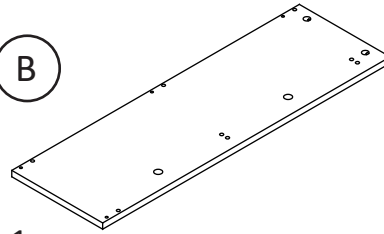
Not actual size

A



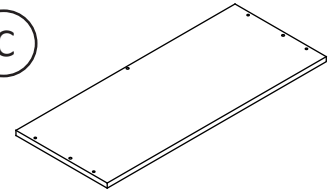
x1  
SIDE PANEL LEFT

B



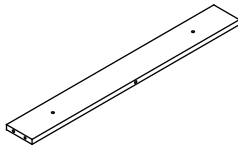
x1  
SIDE PANEL RIGHT

C



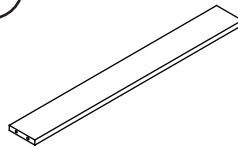
x1  
TOP PANEL

D



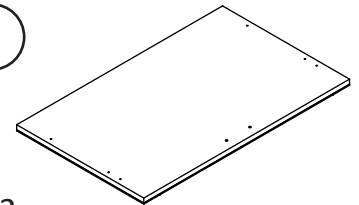
x1  
TOP BACK PANEL

E



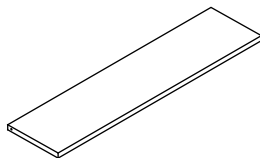
x3  
SUPPORT PANEL

F



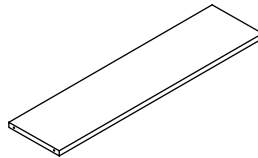
x2  
DOOR PANEL

G



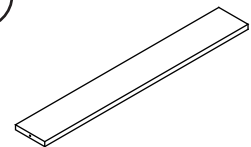
x2  
CENTER BAR PANEL

H



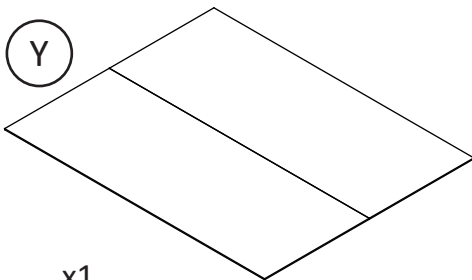
x2  
BACK BAR PANEL

I



x2  
BOTTOM BAR PANEL

Y



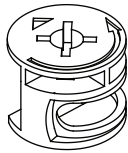
x1  
BACKPLY PANEL

# Part List

Not Actual Size



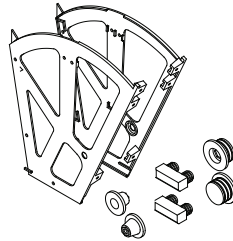
x4  
Minifix Bolt



x14  
Cam Lock  
12-15



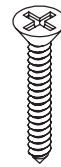
x11  
Wood Dowel  
6 X 30



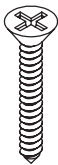
x2 SET  
2 TIER SHOE RACK



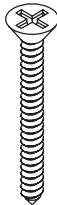
x12  
Csk Screw  
3.5 X 15



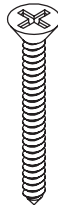
x4  
Csk Screw  
4 X 22



x16  
Csk Screw  
4 X 25



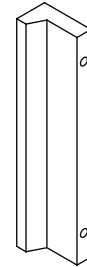
x2  
Csk Screw  
4 X 38



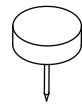
x8  
Csk Screw  
4.7 X 38



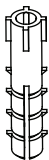
x4  
Tapping Screw  
10 X 20



x2  
Plasik Handle



x4  
Nail Leg



x3  
Wall Plug

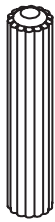


x1  
Allen Key M4

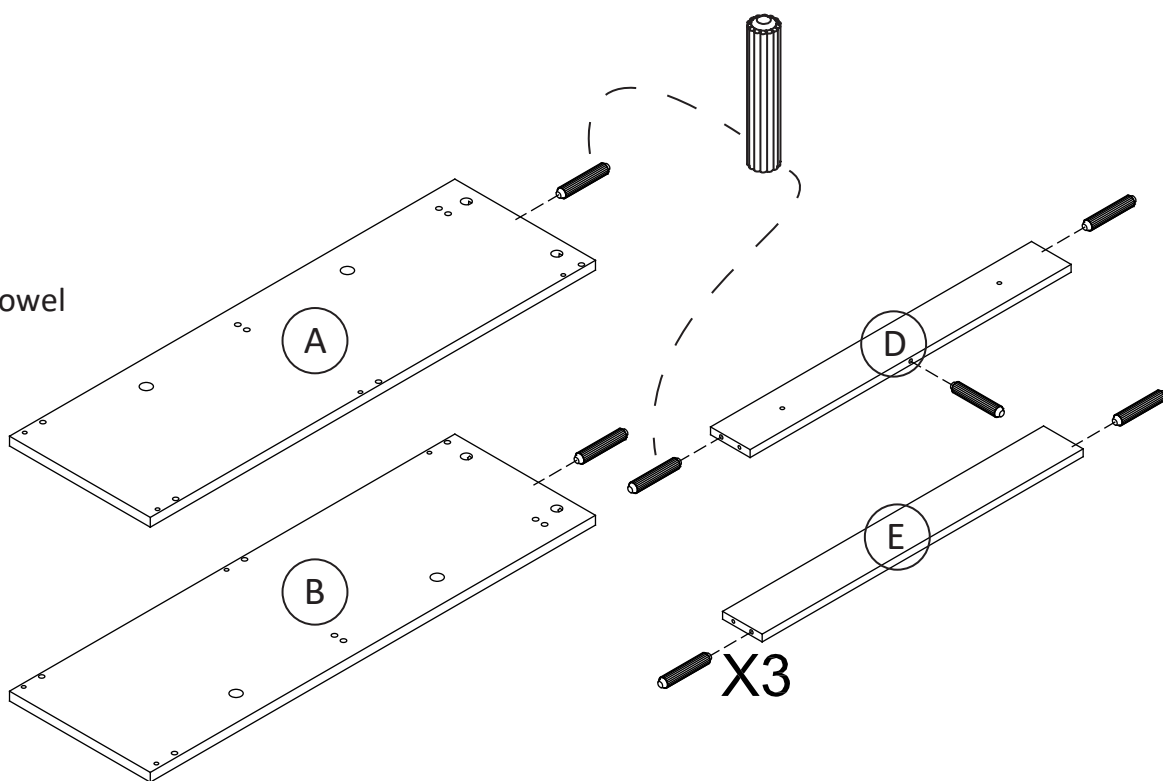


x22  
Nail Pin

# Step 1



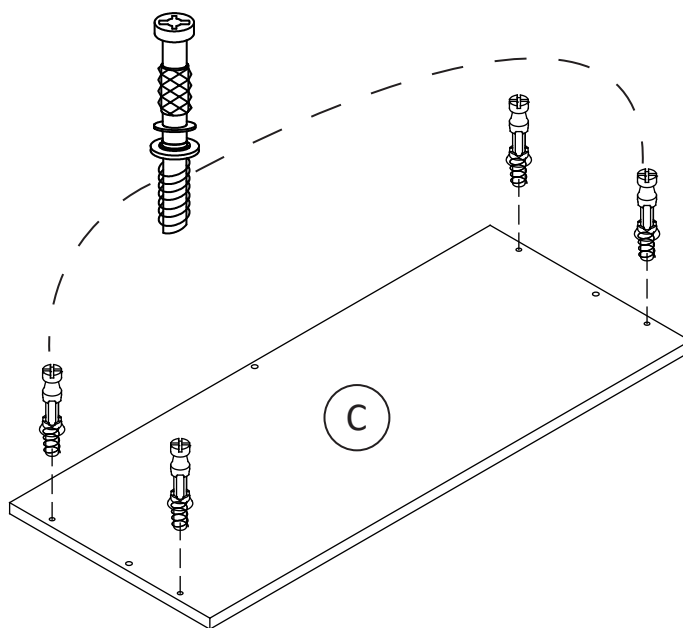
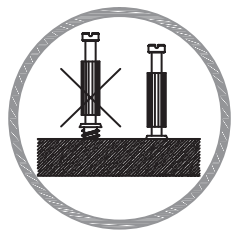
x11  
Wood Dowel  
6 X 30



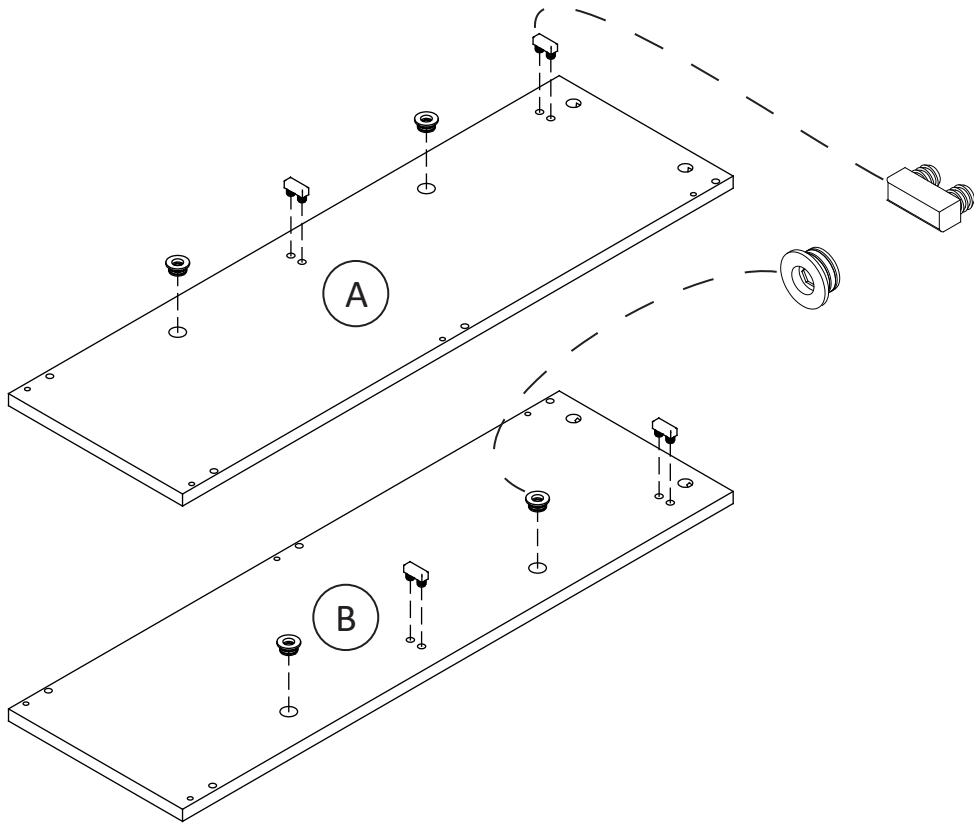
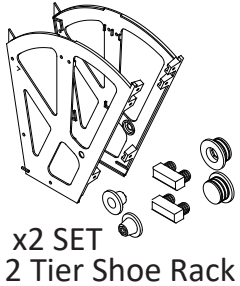
# Step 2



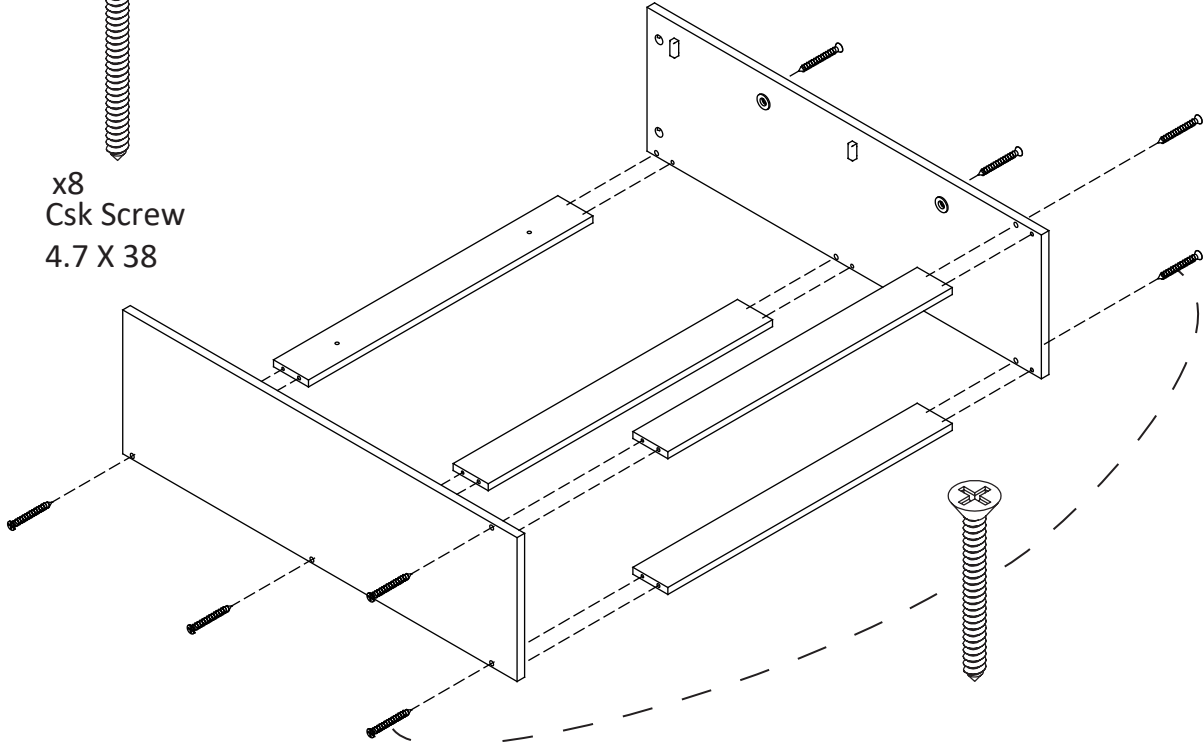
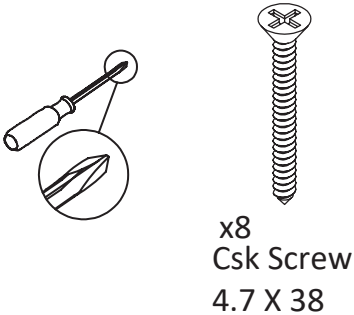
x4  
Minifix Bolt



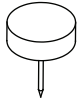
# Step 3



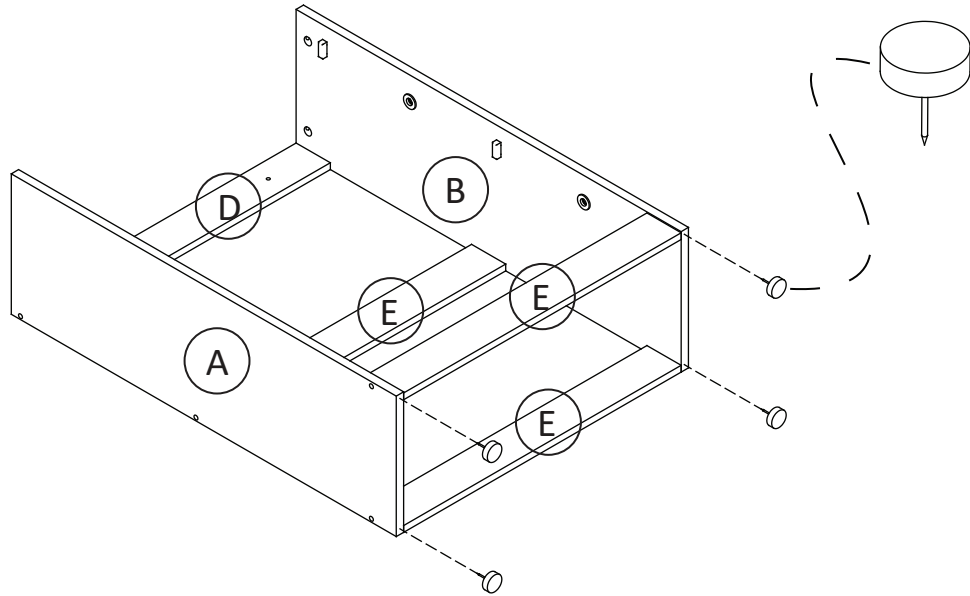
# Step 4



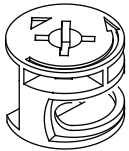
# Step 5



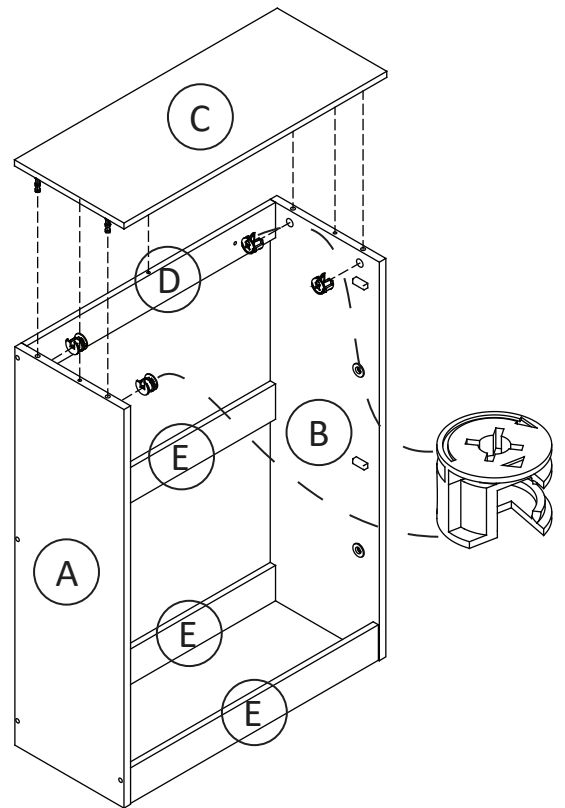
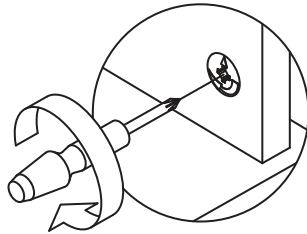
x4  
Nail Leg



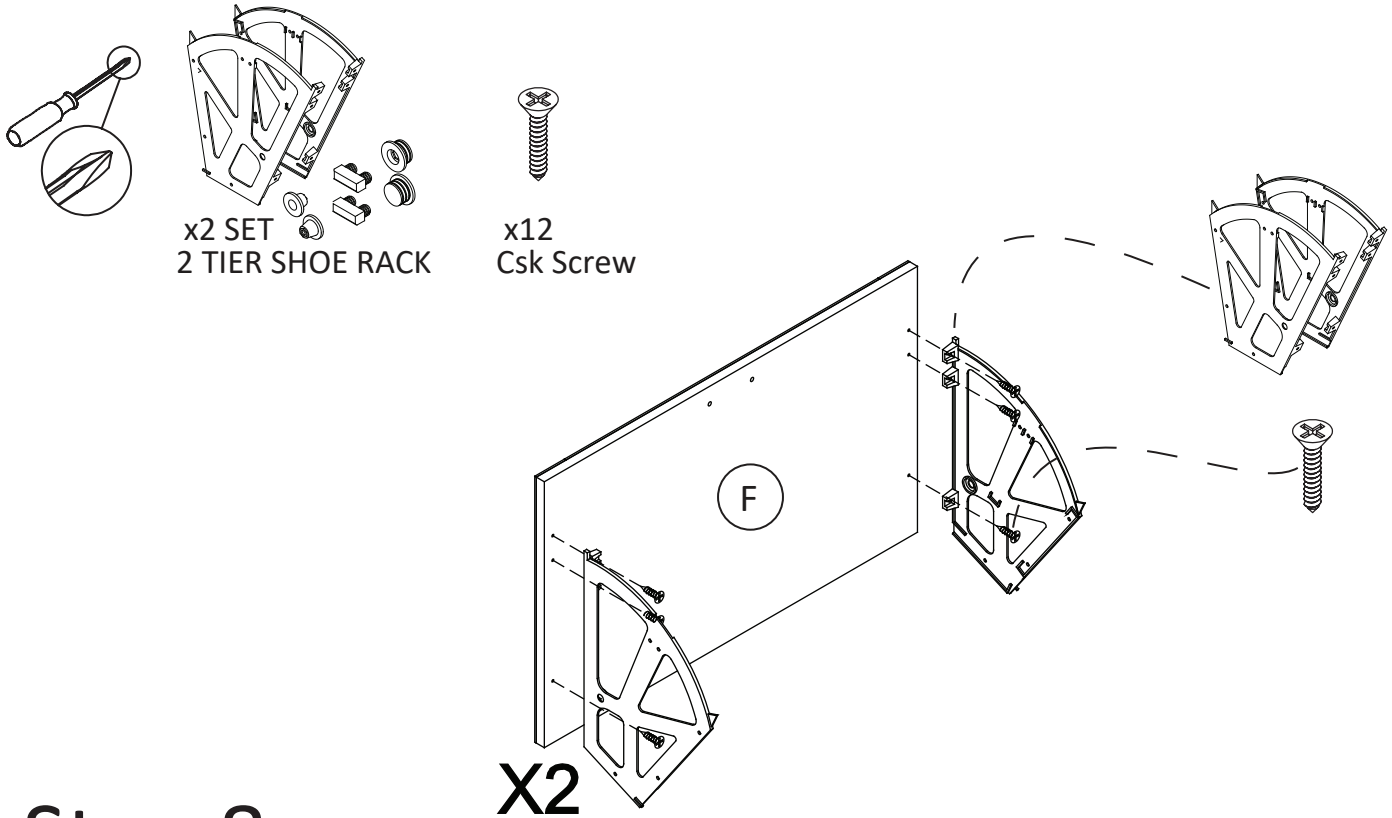
# Step 6



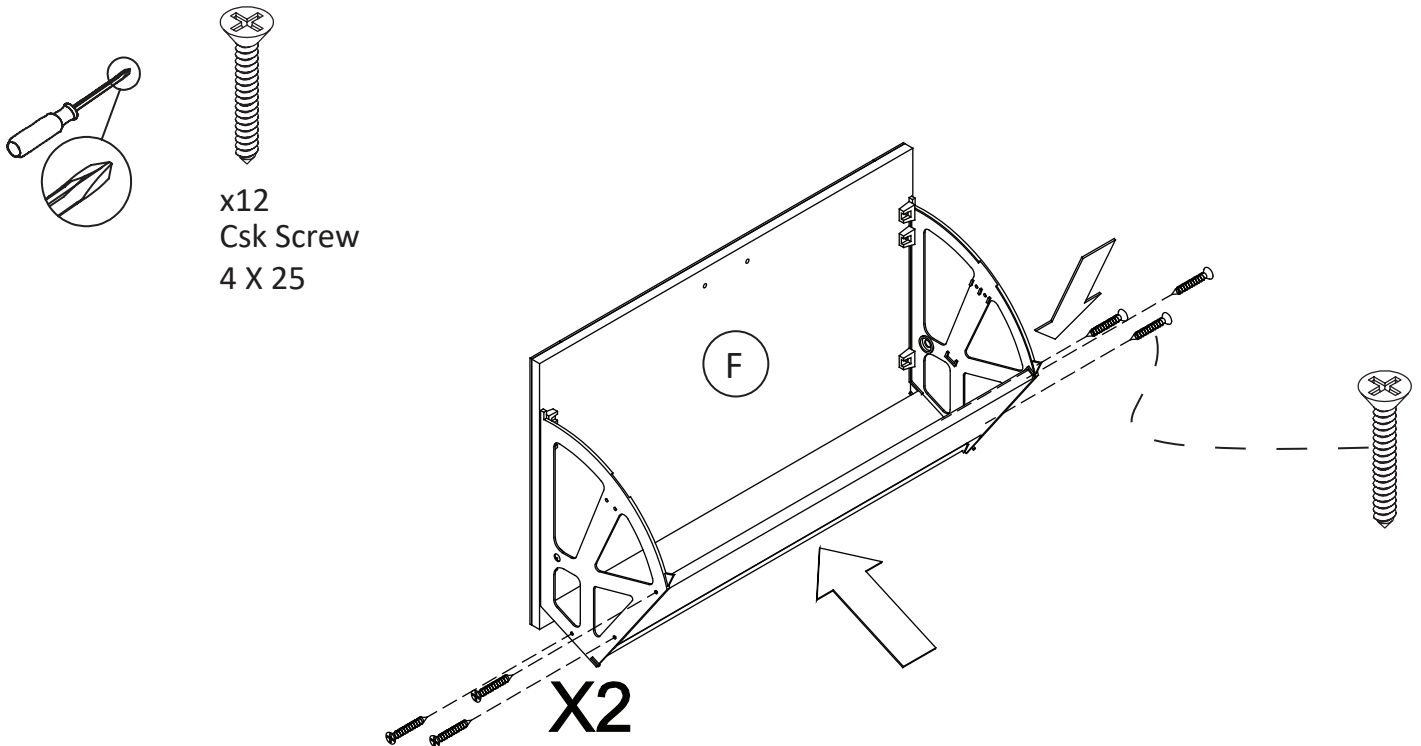
x4  
Cam Lock  
12-15



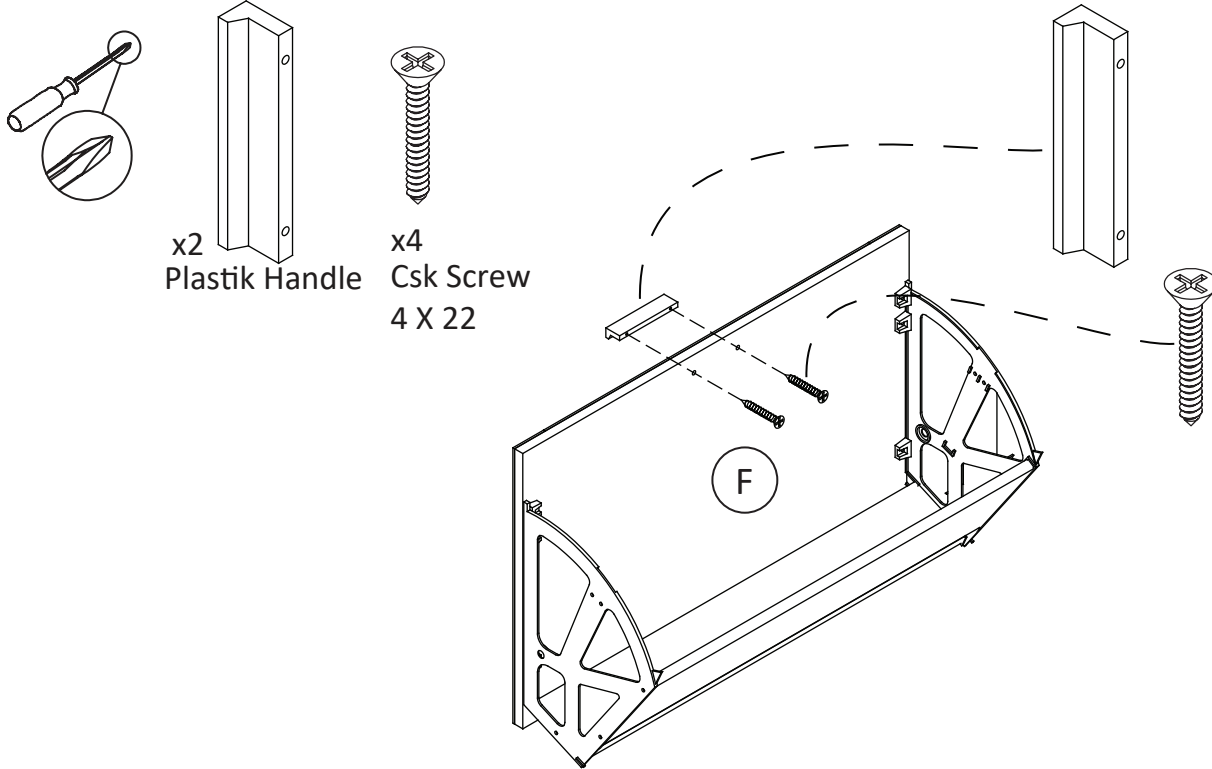
# Step 7



# Step 8

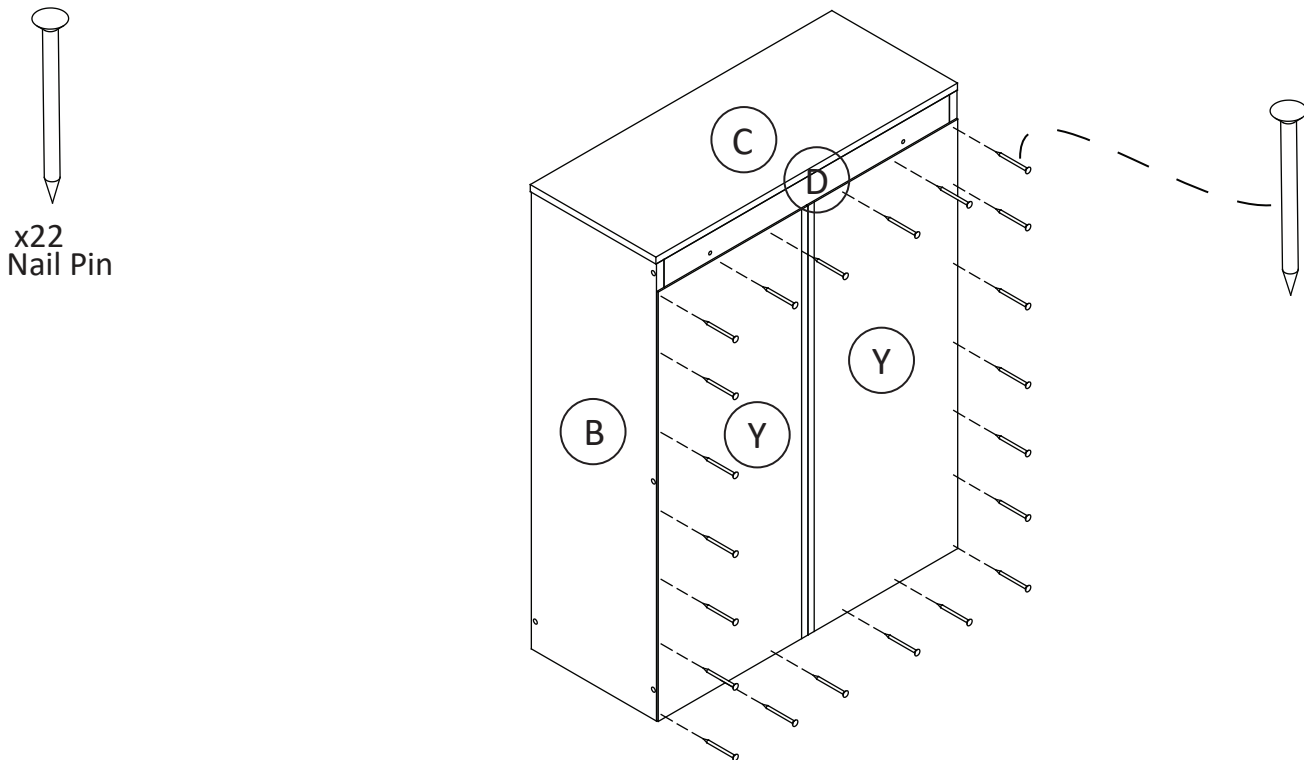


# Step 9

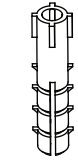
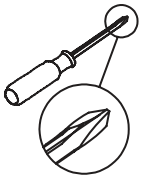


**X2**

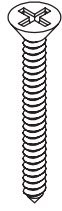
# Step 10



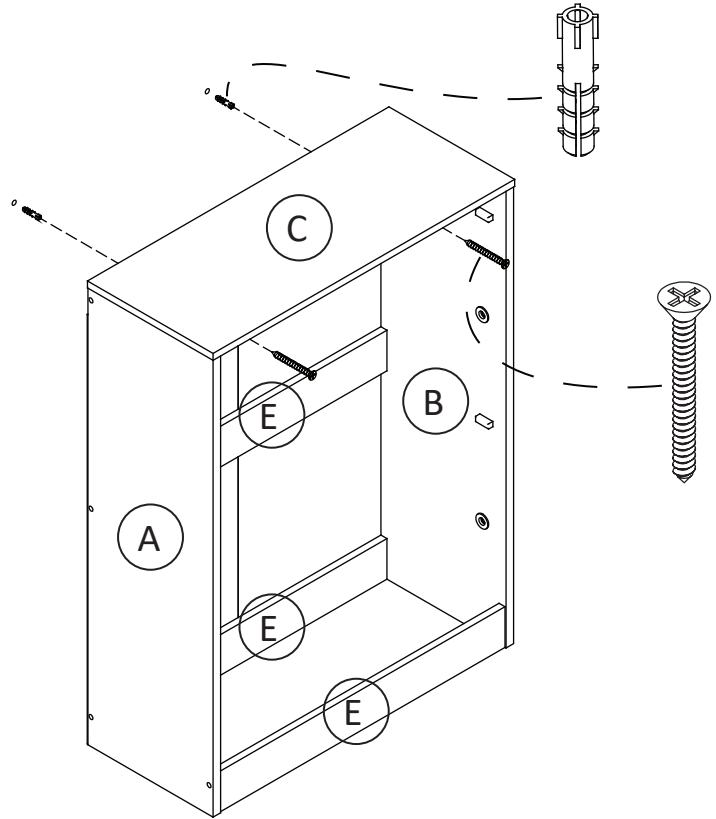
# Step 11



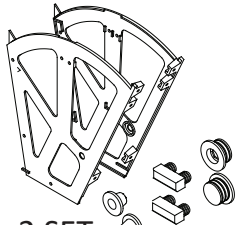
x2  
Wall Plug



x2  
Csk Screw  
4 X 38



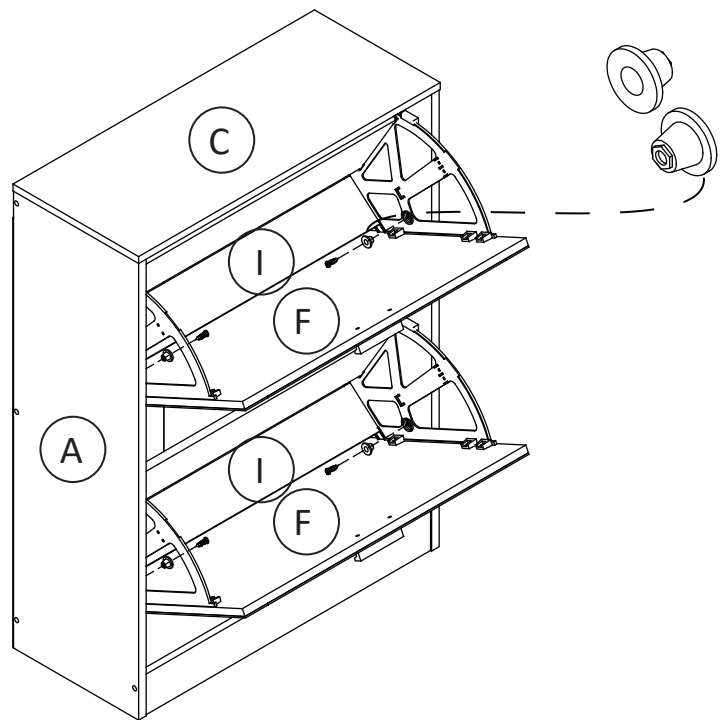
# Step 12



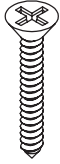
x2 SET  
2 TIER SHOE RACK



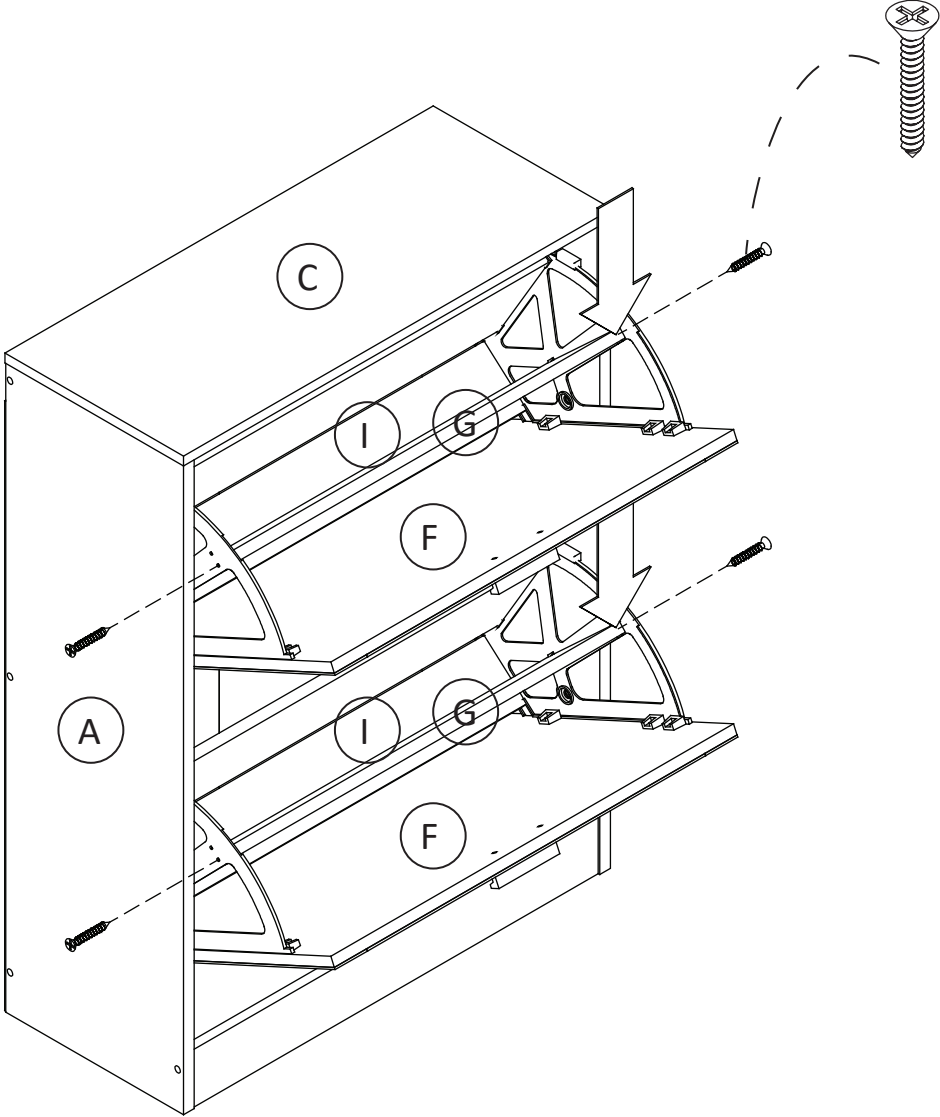
x4  
Tapping Screw  
10 x 20



# Step 13

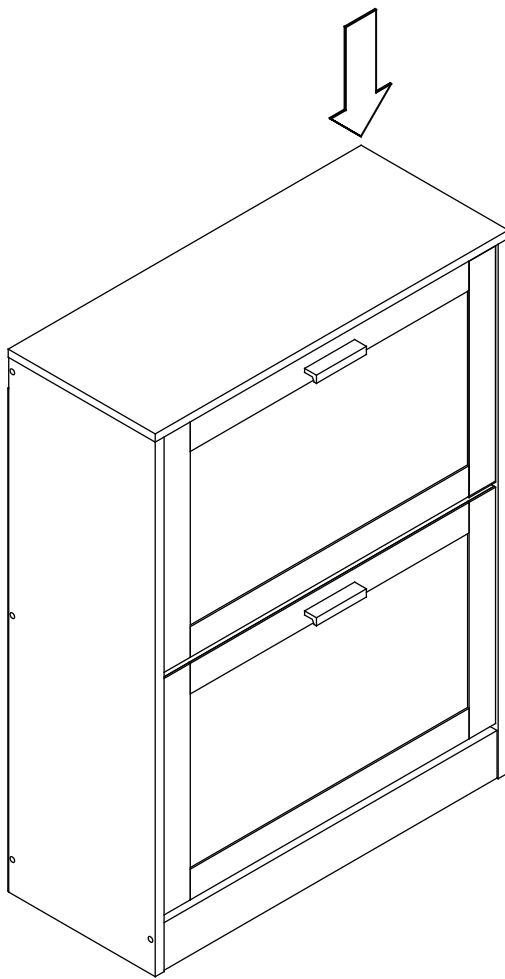


x4  
Csk Screw  
4 X 25



---

MAX WEIGHT LOAD: 13.22 LBS



## Tips for Proper Care and Maintenance of Particle Board Furniture

### **Understanding Particle Board**

#### Particle Board Composition:

Particle board is composed of wood particles, such as sawdust and wood chips, bonded together with adhesive under high pressure. The surface of particle board is typically covered with a laminate or veneer to enhance its appearance.

#### Sensitivity to Moisture:

One of the primary vulnerabilities of particle board is its sensitivity to moisture. Excessive exposure to water or high humidity can cause swelling, warping, or delamination.

### **Cleaning and Maintenance Guidelines**

#### **1. Dust Regularly:**

Regular dusting is crucial to prevent the accumulation of dirt and grime on particle board surfaces. Use a soft, dry cloth or a duster to gently remove dust.

#### **2. Avoid Excess Water:**

Particle board should not be cleaned with excessive water or harsh cleaning agents. Use a slightly damp (not wet) cloth with a mild cleaner specifically designed for wood surfaces.

#### **3. Protect from Direct Sunlight:**

Prolonged exposure to direct sunlight can cause discoloration or fading of the particle board surface. Position furniture away from direct sunlight or use window coverings to reduce exposure.

#### **4. Use Coasters and Mats:**

Protect particle board surfaces from hot items, spills, and scratches by using coasters, placemats, or felt pads under objects. This precaution prevents damage and preserves the furniture's appearance.

#### **5. Repair Minor Damage Promptly:**

Address minor damage such as scratches or small chips promptly. You can use touch-up markers or putty to fill in and conceal minor imperfections. Ensure that the repair materials match the furniture's colour and finish.