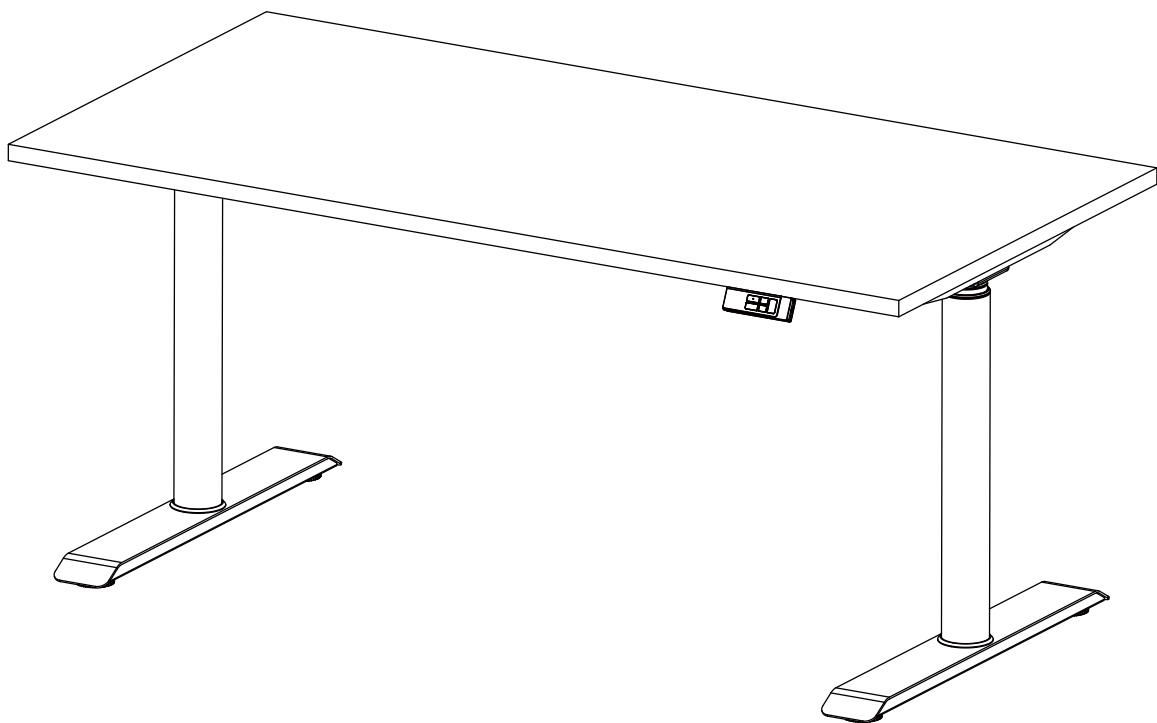


USER MANUAL

Height Adjustable Standing Desk



Please read this manual before assembly.
If this desk is sold, please provide the manual to the buyer

Note: Desktop must be purchased separately

Table of Contents

Safety Information & Usage	01
Package Contents and Part List	02
Assembly Instructions	04
Operational Guide	08
Technical Specificaitons	09
Trouble Shooting Table	09
Accessories	10
Warranty Information	11

When using this product, basic precautions should always be followed. Read all instructions before using the desk. FAILURE TO COMPLY WITH OR OBSERVE ALL INSTRUCTIONS AND WARNINGS REGARDING THE USE OF THIS PRODUCT MAY RESULT IN SERIOUS PROPERTY DAMAGE OR BODILY INJURY.

DANGER - To reduce the risk of electric shock, always unplug the electrical outlet before cleaning, or before putting on or taking off parts.



Make sure no obstacles are in the desk's path.
Make sure the desktop is not touching any walls.
Make sure all cords are appropriate length to accommodate the change in height.



Keep children away from electric height - adjustable desks, control units and handsets. There is a risk of injury and electric shock.



Keep all electrical components away from liquids.



Do not sit or stand on the desk frame.
Do not crawl or lie under the desk frame.



Do not place any objects taller than 20" underneath the desk.



Do not open any of the components - the Legs, Control Box, or Switch.
There is a danger of electric shock.



In the event of a power outage or if the power cord is unplugged,
a manual reset may be necessary - see USE section.



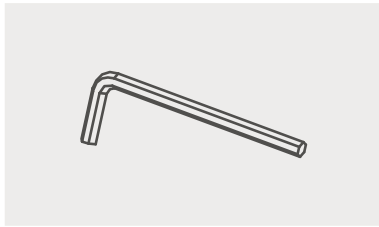
This height adjustable desk has electric motors and is designed for use in dry work areas only.

The desk height is adjustable so that it can be positioned at the most ergonomically suitable height.

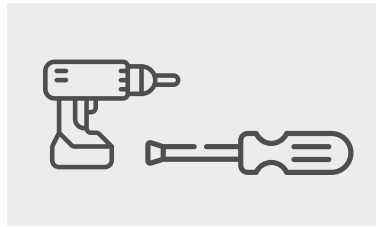
Any other use is at user's risk.

Under no circumstances does the manufacturer accept warranty claims or liability claims for damages caused from improper use or handling of the desk frame.

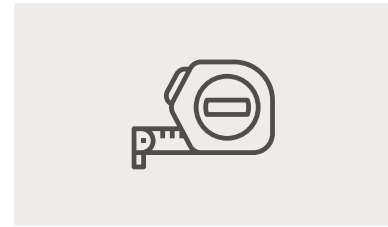
TOOLS



4mm Allen Wrench
(included)



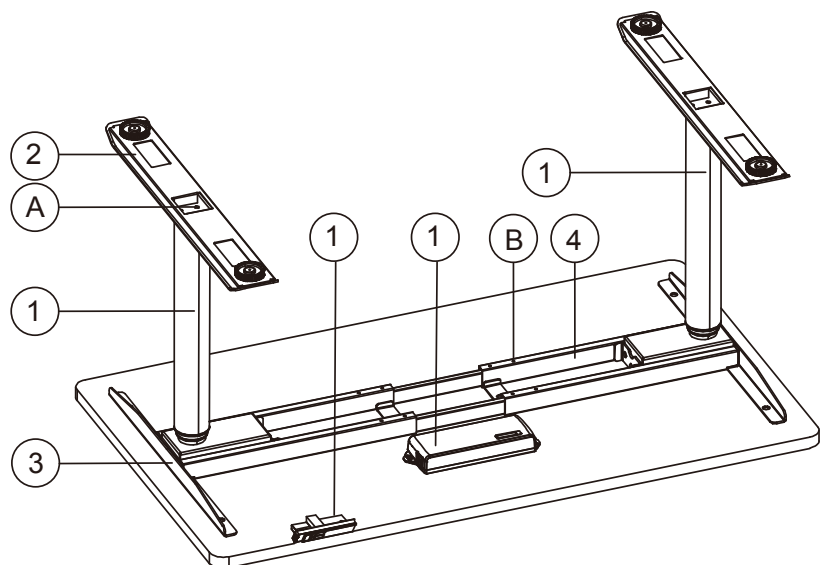
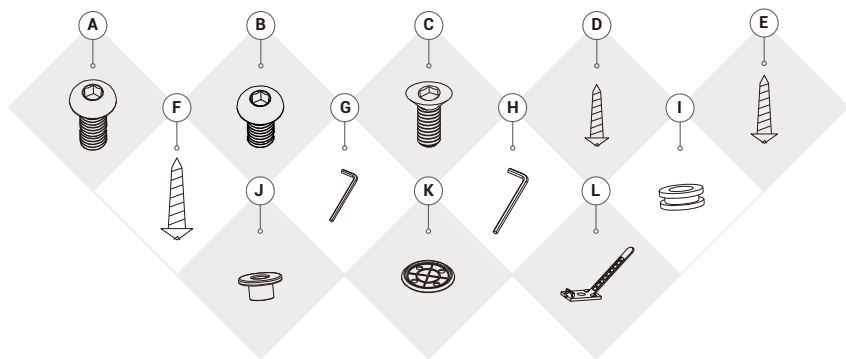
Phillips Head Screwdriver
and/or Power Drill



Tape Measure

PARTS AND HARDWARE LIST

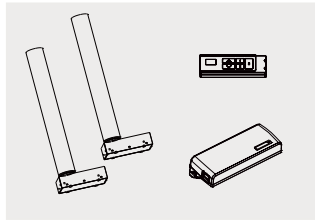
NO	Component Name	Qty
1	Lifting System	1 set
2	Feet	2
3	Bracket	2
4	Support Beam	1
A	M8*16 Screw	8
B	M6*10 Screw	4
C	M6*12 Screw	12
D	ST3.5*16 Screw	2
E	ST4.8*16 Screw	2
F	ST4.8*19 Screw	6
G	4MM Hex Spanner	1
H	5MM Hex Spanner	1
I	Rubber Cushion	6
J	Plastic Pad	6
K	Plastic Mat	2
L	Cable Tie	5



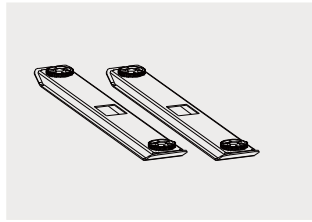
ATTENTION

TIGHTEN ALL THE SCREWS OF THE FRAME TO AVOID WOBBLING. IF THE DESK WOBBLER, TIGHTEN ALL THE SCREWS AGAIN.

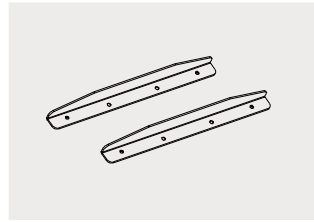
PARTS



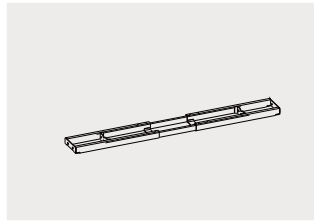
Lifting System x1
(Leg x2 + Keypad x1 + Control Box x1)



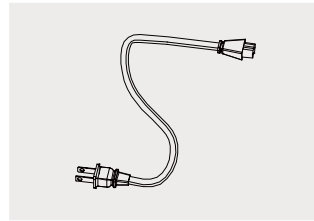
Feet x2



Bracket x2

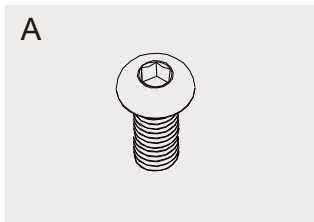


Support Beam x1

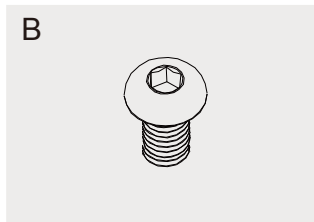


Power Cable x1

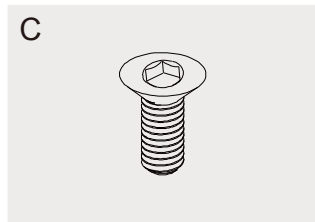
HARDWARE



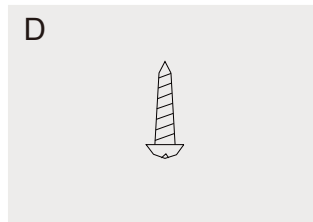
M8*16
Screw x8



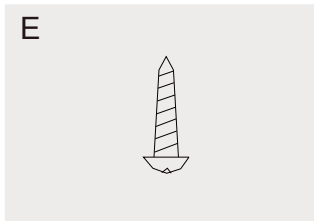
M6*10
Screw x4



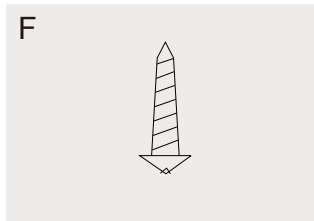
M6*12
Screw x12



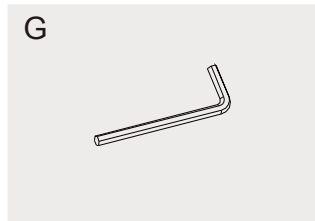
ST3.5*16
Screw x2



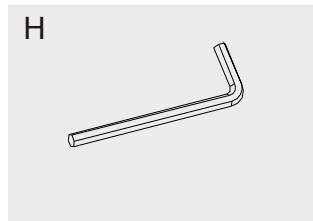
ST4.8*16
Screw x2



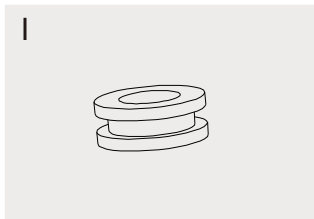
ST4.8*19
Screw x6



4mm
Hex Spanner x1



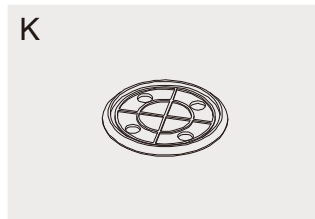
5mm
Hex Spanner x1



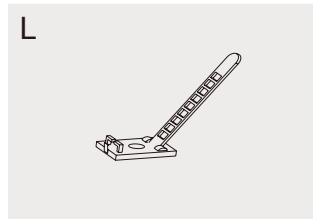
Rubber Cushion x6



Plastic Pad x6



Plastic Mat x2



Cable Tie x5

NOTE: QUANTITY OF SOME SCREWS OR PARTS MAYBE MORE THAN MENTIONED. IF ANY CONTENT IS LESS OR MISSING PLEASE CONTACT US OR OUR RESELLER ASAP, DO NOT PROCEED WITH THE ASSEMBLY.

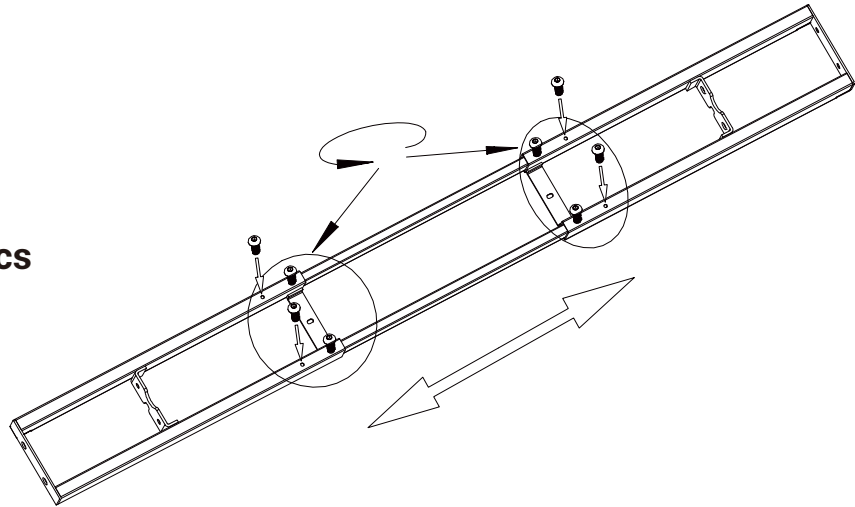
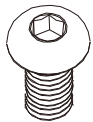
STEP 1

Loosen 4 pcs M6*10 screws, they were attached before packing.
Adjust the crossbar to proper position and then tighten the 8 pcs screws.

Tool Required: G - 4mm Hex Spanner



**Hardware Required:
A - M6*10 Screw 4 pcs**



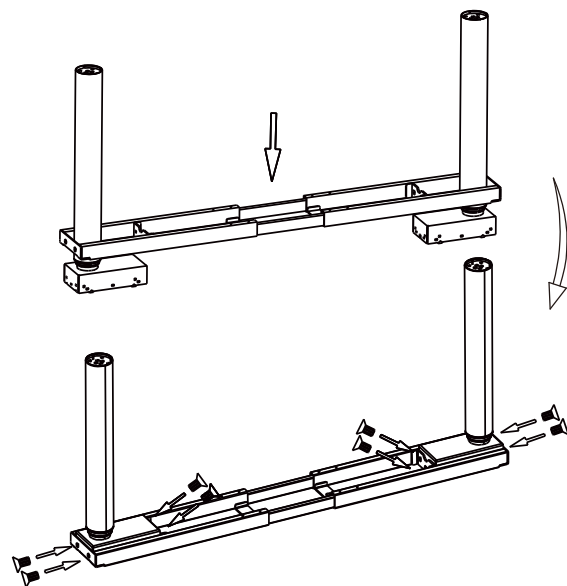
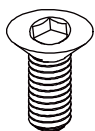
STEP 2

Attach legs to support beam ends using 8 pcs M6*12 screws.

Tool Required: G - 4mm Hex Spanner



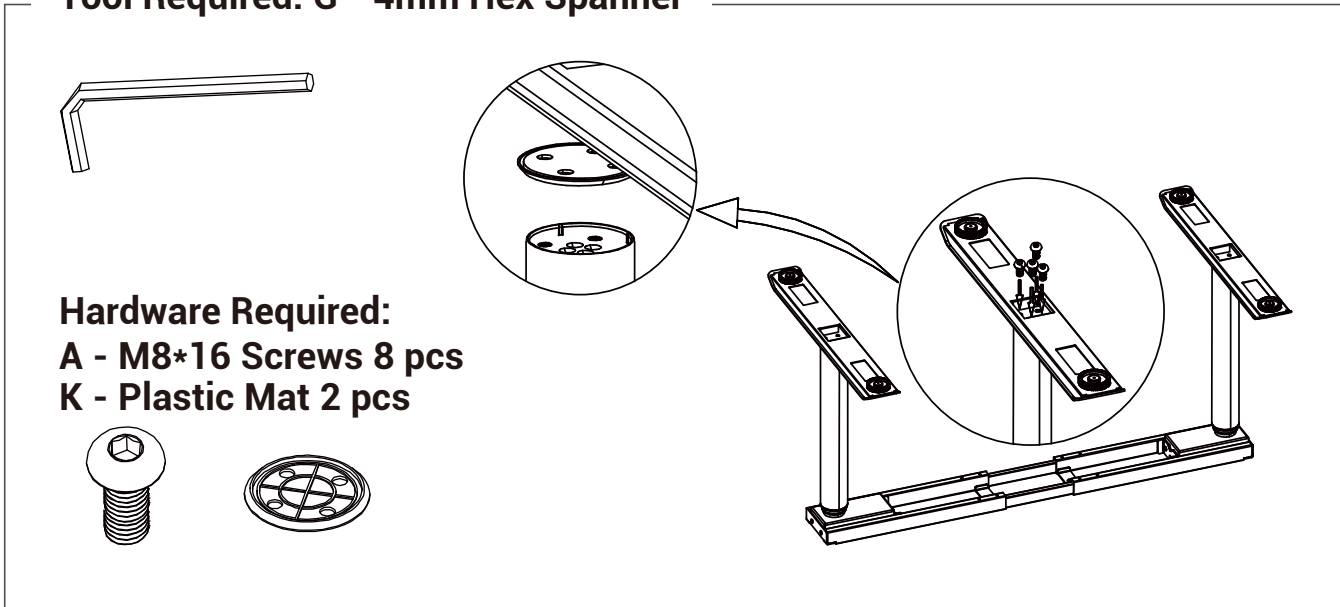
**Hardware Required:
C - M6*12 Screw 8 pcs**



STEP 3

Attach feet to leg using 8 pcs M8*16 screws and tighten with 4mm hex spanner.

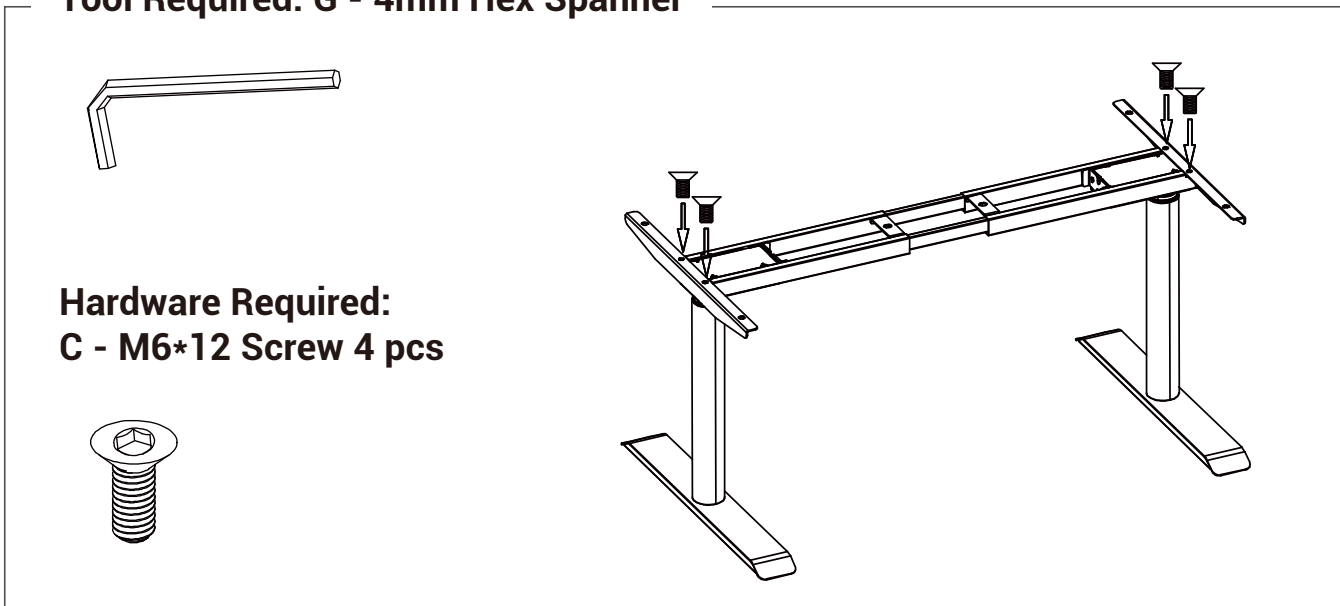
Tool Required: G - 4mm Hex Spanner



STEP 4

Attach brackets to each support beam end using 4 pcs M6*12 screws.

Tool Required: G - 4mm Hex Spanner



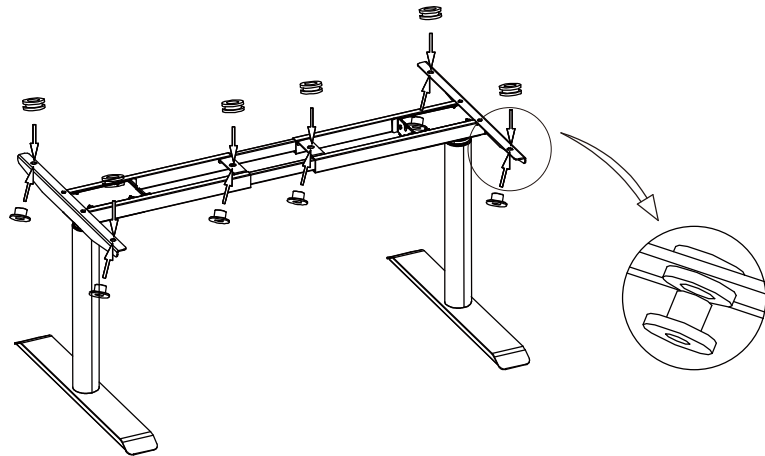
STEP 5

Put rubber cushions and plastic pads on the side brackets and support beam.

Hardware Required

J - Plastic Pad

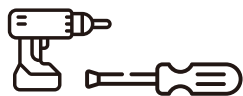
I - Rubber Cushion



STEP 6

Attach the brackets and the support beam to the table top using 6 pcs ST4.8*19 screws. Attach the control box using 2pcs ST4.8*16 screws. Attach the keypad to the table top using 2 pcs ST3.5*16 screws.

Tool Required :



Hardware Required

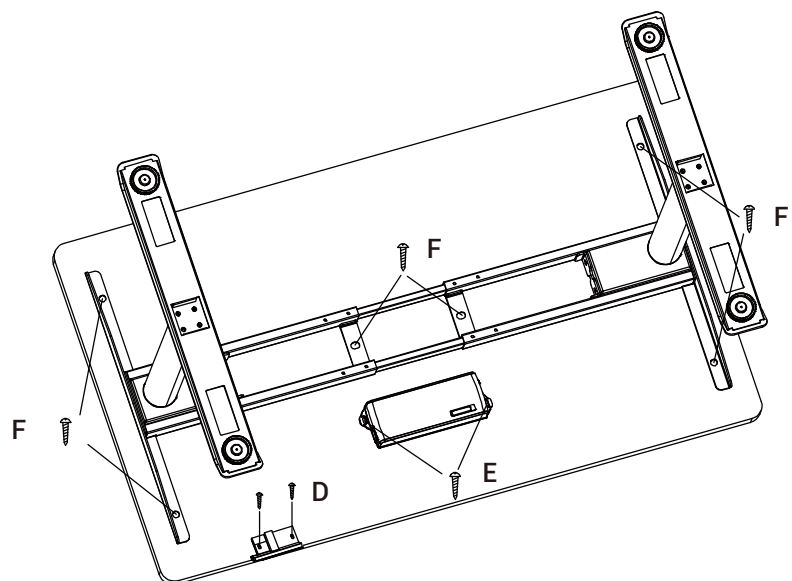
D - ST3.5*16 Screw 2 pcs



E - ST4.8*16 Screw 2 pcs



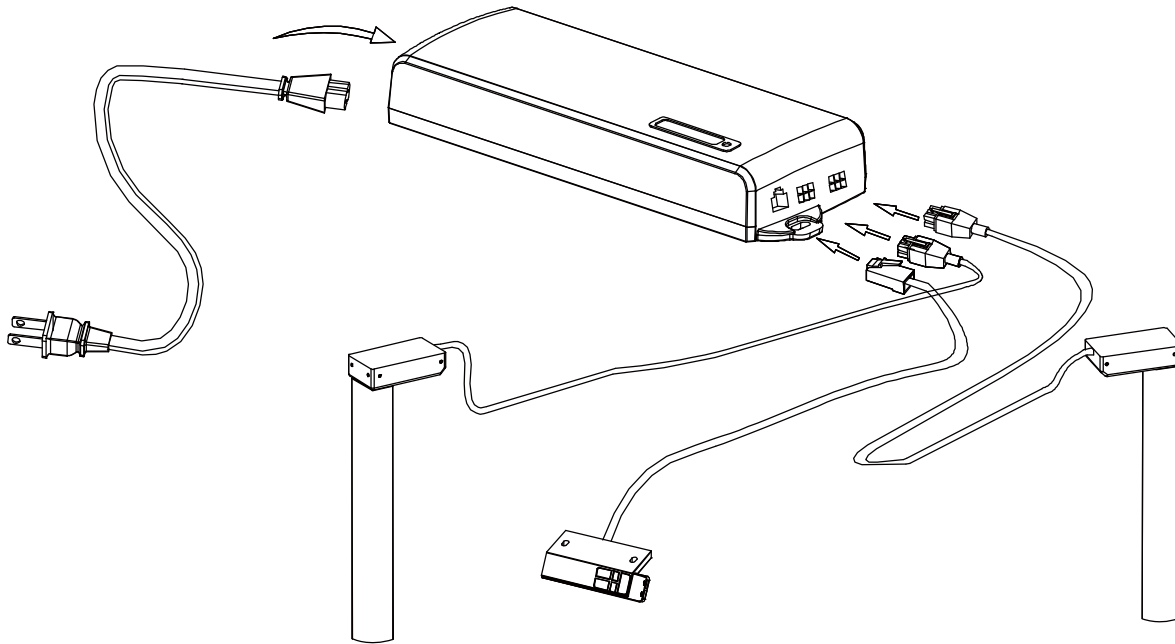
F - ST4.8*19 Screw 6 pcs



Note: If your desktop does not have pre drilled holes, attach the frame with screws into the desk surface with an electric screwdriver.

STEP 7

Plug cables from two motors to the control box and cable from the keypad.



WARNING

- Close supervision is necessary when this furnishing is used by, or near children, invalids, or disabled persons. Keep children away from electric height-adjustable desks, control units, and keypads.
There is a risk of injury and electric shock.
- Use this table only for its intended use as described in these instructions. Do not use attachments not recommended by the manufacturer.
- Keep the table close to the power socket/outlet to be easily accessible.
- Never operate this table if it has a damaged cord or plug, if it is not working properly, if it has been dropped or damaged, or dropped into water.
- Keep the cords away from heated surfaces.
- Do not open any of the components: legs, control box, or keypad. There is a danger of electric shock. Do not insert anything into any seam or opening.
- Keep all electrical components away from liquids.

1. System Initialization

The initialization procedure must be completed after the system has been installed, before its first run and after the replacement of any parts.

Resetting procedure is as follows:

- Press and hold on both "↑" and "↓" button together for 10-15 seconds and screen would show (000) until the lifting column be lowest and you will hear a beep, and the display shows the number for the lowest height, then whole steps finishes.
- If the system doesn't work normally when we use it, we need to repeat the above procedure.

2. Normal Operation

- Drive the desk to the desired height when pressing and holding "↑" or "↓" button.

3. Setting the Memory Function

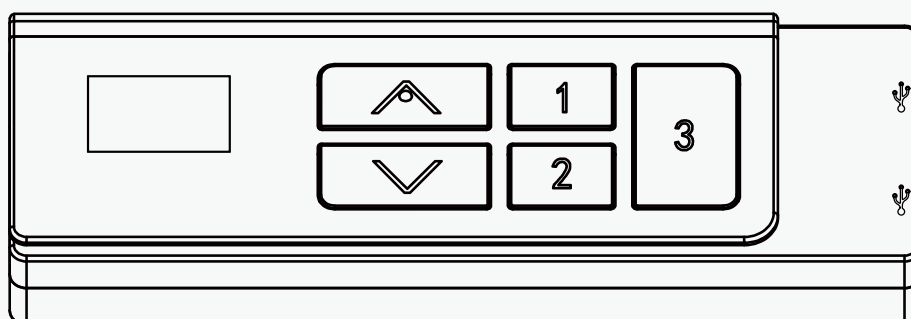
- When the desk rises to the height which you want to memorize, please press and hold the "↑" "1" button till display "P1". Position 1 is now memorized. Please press and hold the "↑" "2" button till display "P2". Position 2 is now memorized. These two number buttons can memorize two different heights repeatedly. And those data won't be lost in case power is off.

4. Cm and Inch Setting

- Press "1" "2" and "3" button together for about 5 seconds, "C-I" should appear on the display, either press button "1" display show the desk is in metric mode or press button "2" display the desk is in Imperial (inches) mode .

5. Notice

- Press "1" "2" and "3" button together for about 5 seconds, "C-I" should appear on the display, either press button "1" display show the desk is in metric mode or press button "2" display the desk is in Imperial (inches) mode .
- The system should be away from water and corrosion resistant gas. Please contact us or our distributors if there is anything wrong with the product.



Frame Size	(42.3''-70.9'')*23.6''
Height Range(Without Top)	25.2''-50.8''
Feet	27.6''
Max Loading	264lbs
Speed	1.6''/s (without load)
Duty Cycle	10%. Max. 2 Min on, 18 mins off
	Soft start / stop
	3 Memory Presents

Troubleshooting Table

Code	Problem	Possible Cause	Solution
E01	The table stops during operation and the control unit “beeps” 3 times.	The height alteration of the desk is being overused and is exceeding the standard duty cycle.	Stop using and let sit for 20 minutes.
E02	The table stops during operation and the control unit “beeps” 2 times.	The legs are unbalanced.	Balance the legs and restart.
E03	While pressing any button, the table stops moving and springs-back 40mm.	The anti-collision function is blocked by an obstacle.	Remove any obstacles intervening with the table’s vertical movement.
E04	While pressing any button, the table stops moving and springs-back 30mm.	T-touch protection.	<ul style="list-style-type: none"> •Make sure the control box in horizontal place. •Make sure the control box fastened tightly. •Remove any obstacles.
E00	Control panel shows ‘E00’, no beeps.	Unrest for the system.	Press and hold on both “↑” and “↓” button together for 10-15 seconds and screen would show (000) until the lifting column be lowest and you will hear a beep, and the display shows the number for the lowest height, then whole steps finishes.

Bluetooth & Smart App

This desk frame is enabled with Bluetooth technology. You can download the App “**Stand up pls.**” on your iOS devices and control the desk from your phone.

The app provides a smarter and easier way to adjust your ergonomic desk. It allows you to control the height adjustable desk from your mobile device via Bluetooth.

The key features include:

- Bluetooth synchronization
- Memory function
- Customized sit/stand cycle
- Tracking/ calculating of calories burned
- Safety support- error alarm notices

System requires: iOS 13.0 or higher.



Connect bluetooth dongle to the back of handset.

DISCLAIMER

THE BLUETOOTH AND SMART APP IS AN ADD ON BONUS FEATURE WE PROVIDE WITH THE DESK. WE ARE NOT LIABLE FOR ANY ERRORS OR GLITCHES OF THE APP. SOME DEVICES MAY NOT BE ABLE TO USE ALL THE FEATURES OR BE COMPATIBLE WITH THE SMART APP.

Manufacturer Warranty Info.

(FOR HEIGHT ADJUSTABLE FRAME)

Note: You must present proof of purchase (Receipt) to Obtain warranty service.

What does this warranty cover?

This Warranty covers any defects in material or workmanship under normal use during the first five years from the date of purchase.

- **Warranty Info.**

The Warranty covers parts and labor costs to repair your Product if the product fails to properly operate due to defects in materials or workmanship of the frame, electric motors, control box, push-button control panel and the desktop. If we determine, at our sole discretion, that your Product cannot be repaired, we will replace it with a Product of like kind and quality that is of comparable performance. Replacement parts or products may be new or repaired to meet the specifications of the original product at our discretion.

How long does the coverage last?

The Warranty Period any of the official resellers is 5 years from the date of purchase.

A replacement product or part resumes the remaining warranty of the original product.

What does this limited warranty not cover?

This Warranty does not cover any problem that is caused by:

- Conditions, malfunctions or damage not resulting from defects in material or workmanship.
- Changes in surface finish, including color-fastness or matching of colors, woodgrains, or textures
- Damage to your Product caused by accident, abuse, neglect, intentional physical damage, misuse (including faulty installation, repair, or maintenance by anyone other than the Manufacturer's authorized service provider)
- Normal wear and tear
- Dye transfers caused by external contaminants
- Modifications made by the user which is not authorized
- Products that were not installed, used, or maintained in accordance with product instructions and warnings
- Damage or marking of surfaces caused by sharp or foreign object

How to claim Warranty?

To obtain warranty service, you must first contact our official retailer or us in order to determine the problem.