

METAL & WOOD FUTON BUNK BED

ASSEMBLY INSTRUCTIONS



ASSEMBLY TIPS :

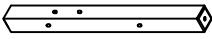
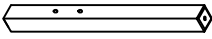

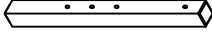
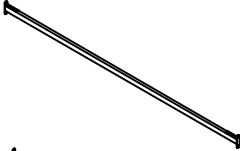
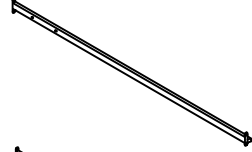
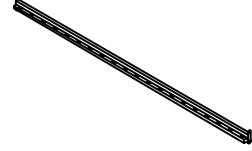
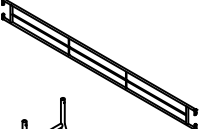
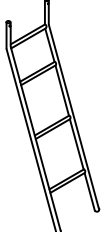
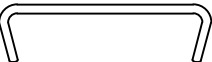
- 1.Remove hardware from box and sort by size
- 2.Please check to see that all hardware and parts are present prior to start of assembly.
- 3.Please follow attached instruction in the same sequence as numbered to assure fast & easy assembly.



Warning!
 1.Don't attempt to repair or modify parts that are broken or defective. Please contact the store immediately.
 2.This product is for home use only and not intended for commercial establishment.

PARTS IDENTIFICATION

B1 (BOX 1)

AM		LEFT BACK & RIGHT FRONT LOWER BED END LEG	2 PCS
BM		LEFT FRONT & RIGHT BACK LOWER BED END LEG	2 PCS
CM		LEFT BACK & RIGHT FRONT UPPER BED END LEG	2 PCS
DM		LEFT FRONT & RIGHT BACK UPPER BED END LEG	2 PCS
EM		LOWER BED RAIL	2 PCS
FM		FRONT UPPER BED RAIL	1 PC
GM		BACK UPPER BED RAIL	1 PC
HM		GUARD RAIL	2 PCS
IM		LADDER	1 PC
JM		HOOK	3 PCS

ASSEMBLY TIPS :

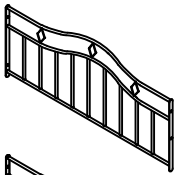
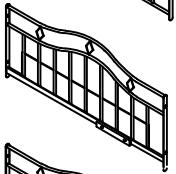
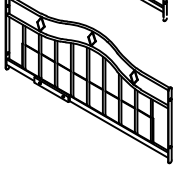
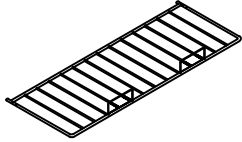
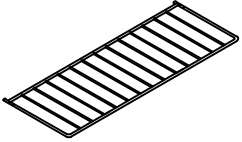
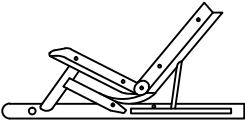
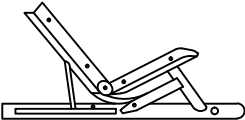
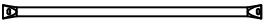
- 1.Remove hardware from box and sort by size
- 2.Please check to see that all hardware and parts are present prior to start of assembly.
- 3.Please follow attached instruction in the same sequence as numbered to assure fast & easy assembly.



Warning!
 1.Don't attempt to repair or modify parts that are broken or defective. Please contact the store immediately.
 2.This product is for home use only and not intended for commercial establishment.

PARTS IDENTIFICATION

B2 (BOX2)

KM		UPPER BED END	2 PCS
LM		LEFT LOWER BED END	1 PC
MM		RIGHT LOWER BED END	1 PC
NM		SEAT METAL FRAME	1 PC
OM		BACK METAL FRAME	1 PC
PM		LEFT TRANSMISSION	1 PC
QM		RIGHT TRANSMISSION	1 PC
RM		BED SLAT	20 PCS

ASSEMBLY TIPS :

- 1.Remove hardware from box and sort by size
- 2.Please check to see that all hardware and parts are present prior to start of assembly.
- 3.Please follow attached instruction in the same sequence as numbered to assure fast & easy assembly.





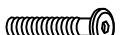
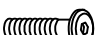
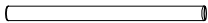




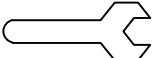






Warning!

- 1.Don't attempt to repair or modify parts that are broken or defective. Please contact the store immediately.
- 2.This product is for home use only and not intended for commercial establishment.

HARDWARE IDENTIFICATION

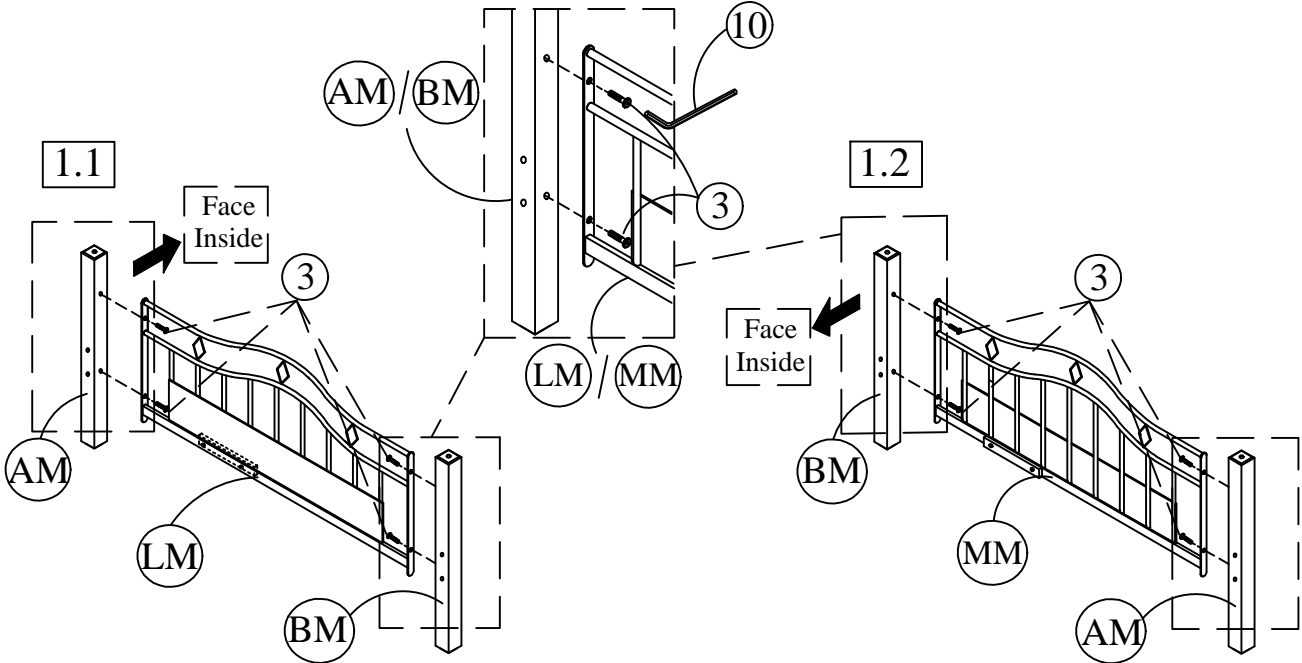
Z - B1 (BOX1)- Hardware pack is located in 2249 (B1)

1		SMALL LONG BOLT	24 PC
2		SMALL MEDIUM BOLT	2 PCS
3		SMALL SHORT BOLT	16 PCS
4		CYLINDER NUT	26 PCS
5		LARGE LONG BOLT	4 PCS
6		LARGE SHORT BOLT	8 PCS
7		METAL PIN	4 PCS
8		FLAT WASHER	2 PCS
9		PLASTIC CONNECTOR	40 PCS
10		SMALL ALLEN WRENCH	2 PCS
11		BIG ALLEN WRENCH	1 PC
12		WRENCH	1 PC
13		LADDER DOWEL	4 PCS
14		STOPPER GEAR	4 PCS
15		HEX NUT	12 PCS
16		METAL FRAME DOWEL	4 PCS

NOTE : RUBBER Mallet IS REQUIRED IN THE ASSEMBLY PROCESS. HOWEVER, MANUFACTURER DOES NOT PROVIDE THIS ITEM.

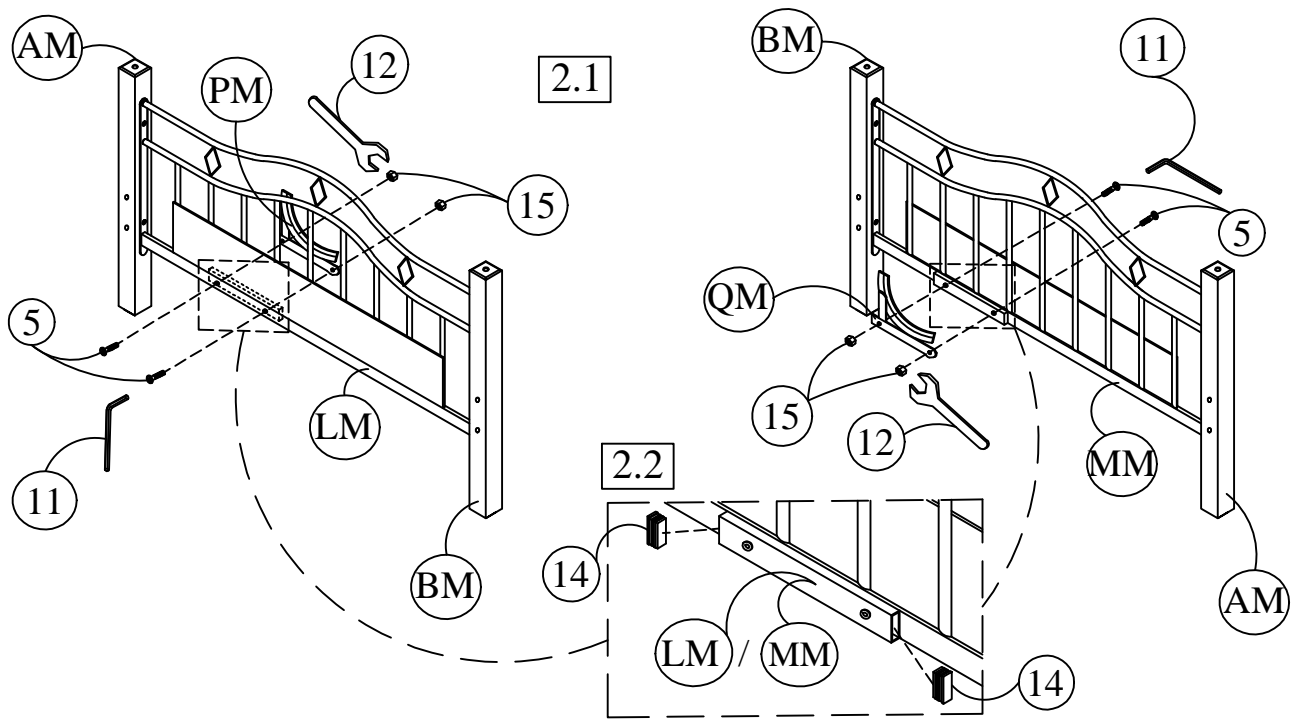
STEP 1 (Lower Bed)

- 1.1) Align & fasten left lower bed end (LM) to left back & right lower bed end leg (AM) and left left front & right back lower bed end leg (BM) using small short bolt (3) & fully tighten with small Allen wrench (10).
- 1.2) Align & fasten right lower bed end (MM) to left front & right back lower bed end leg (BM) and left back & right front lower bed end leg (AM) using small short bolt (3) and fully tighten with small Allen wrench (10).



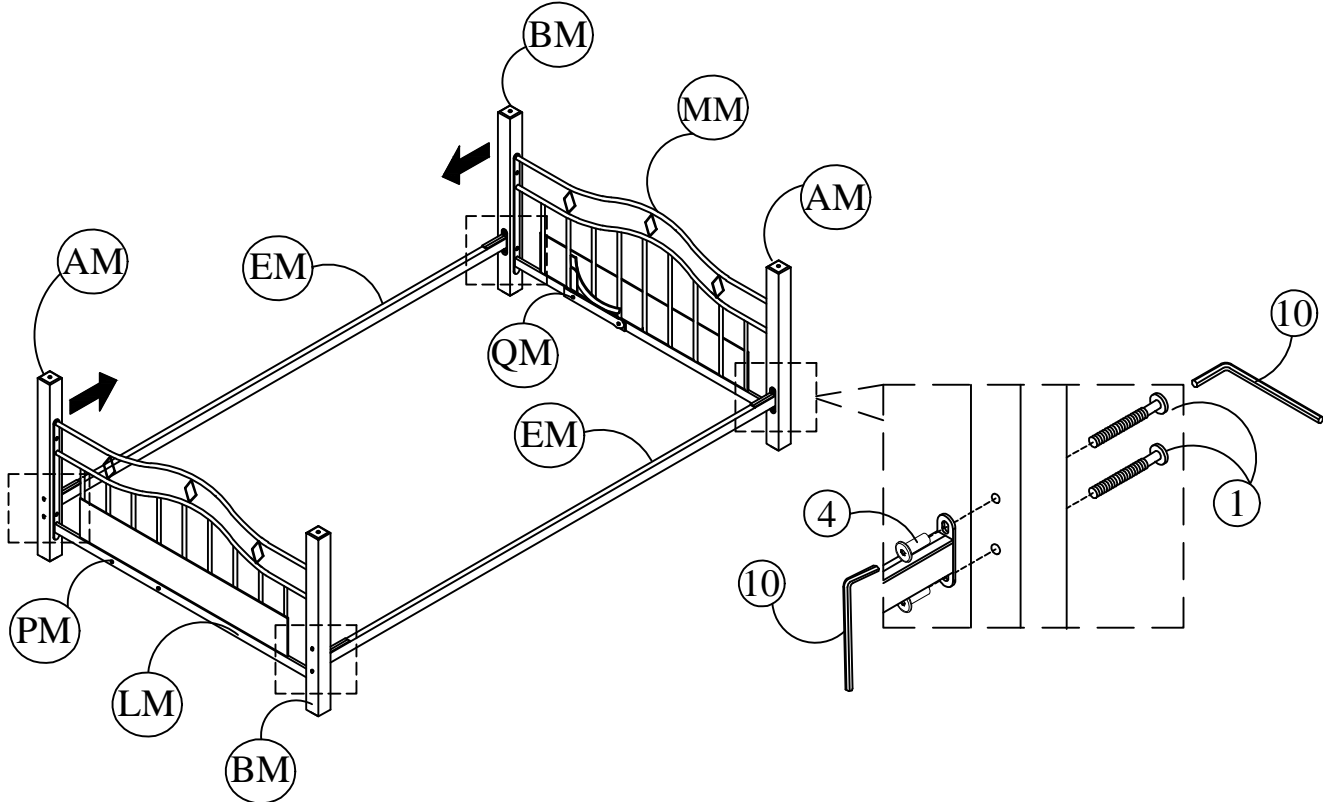
STEP 2 (Lower Bed)

- 2.1) Align & fasten right transmission (QM) to right lower bed end (MM) and left transmission (PM) to left lower bed end (LM) using large long bolt (5) & hex nut (15) and fully tighten with wrench (12) & big Allen wrench (11).
- 2.2) Insert stopper gear (14) to both ends of attachment, as per diagram shown.



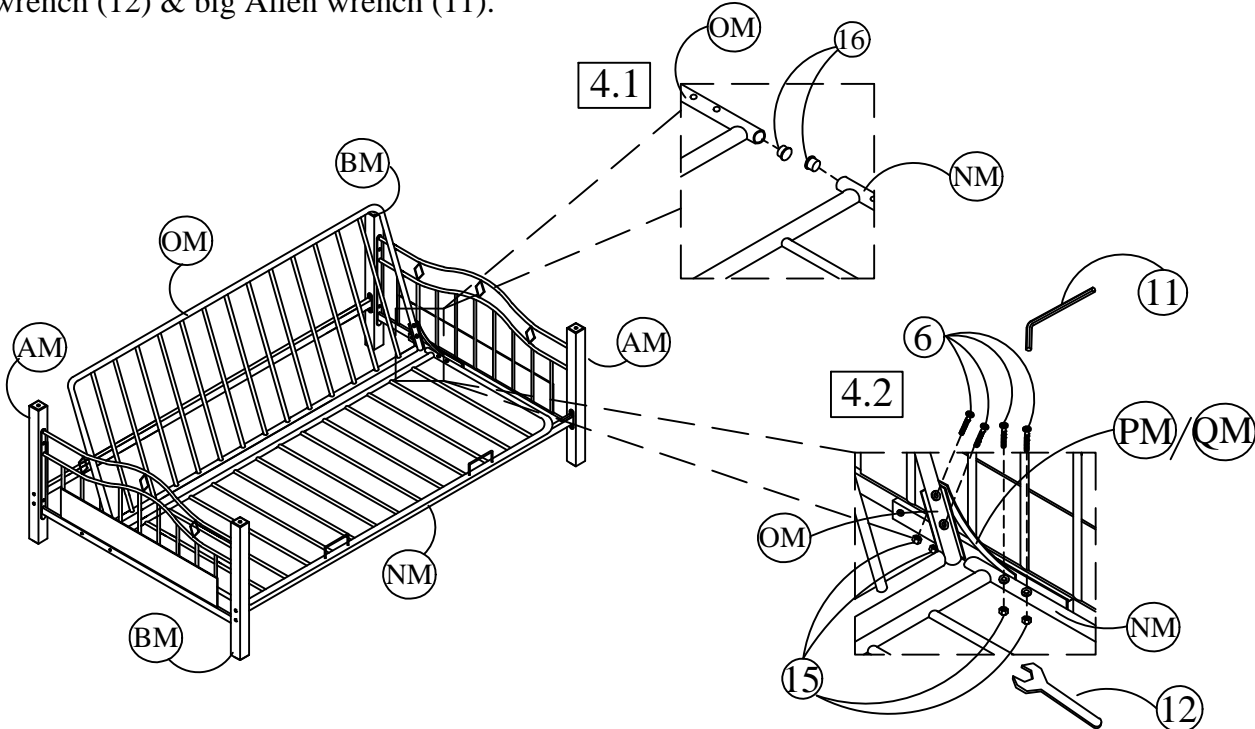
STEP 3 (Lower Bed)

Align & fasten lower bed rail (EM) to lower bed end leg (AM & BM) using small long bolt (1) & cylinder nut (4) and fully tighten with small Allen wrench (10).



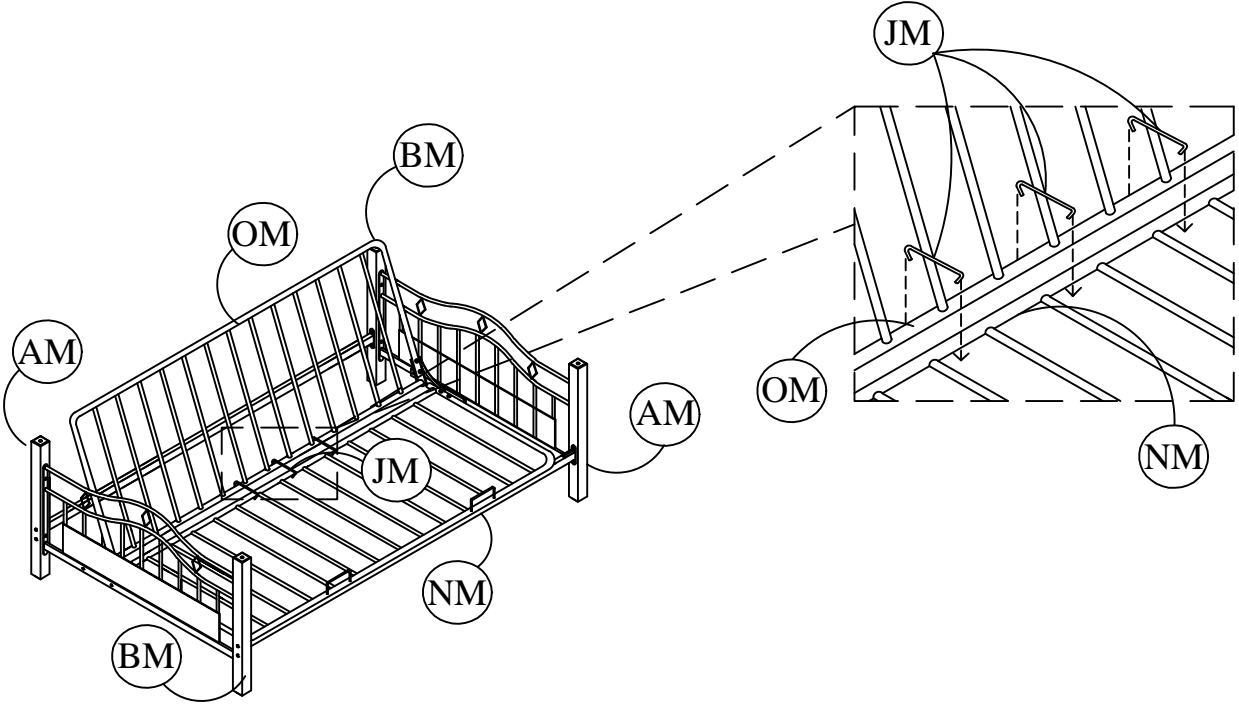
STEP 4 (Futon Frame)

(4.1) Insert metal frame dowel (16) to the end of seat metal frame (NM) & back metal frame (OM).
(4.2) Align & fasten seat metal frame (NM) & back metal frame (OM) to left transmission (PM) & right transmission (QM) using large short bolt (6) & hex nut (15) and fully tighten with wrench (12) & big Allen wrench (11).



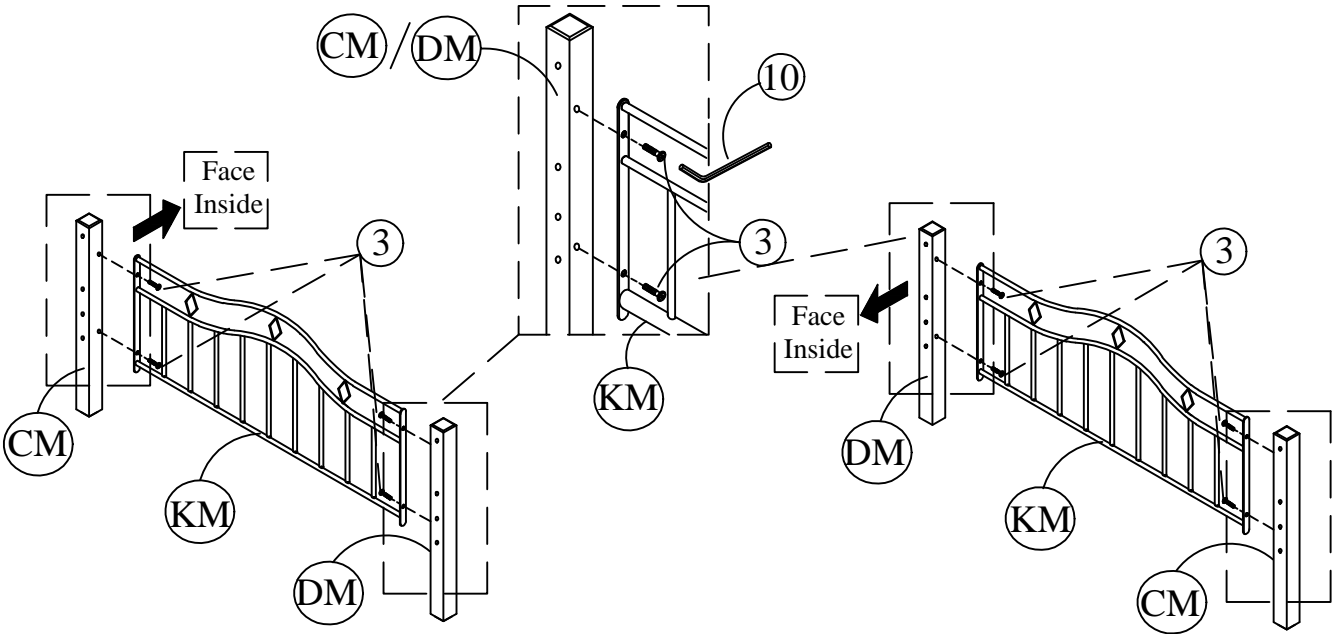
STEP 5 (Futon Frame)

Join & secure seat metal frame (NM) & back metal frame (OM) using hook (JM), as per diagram shown below.



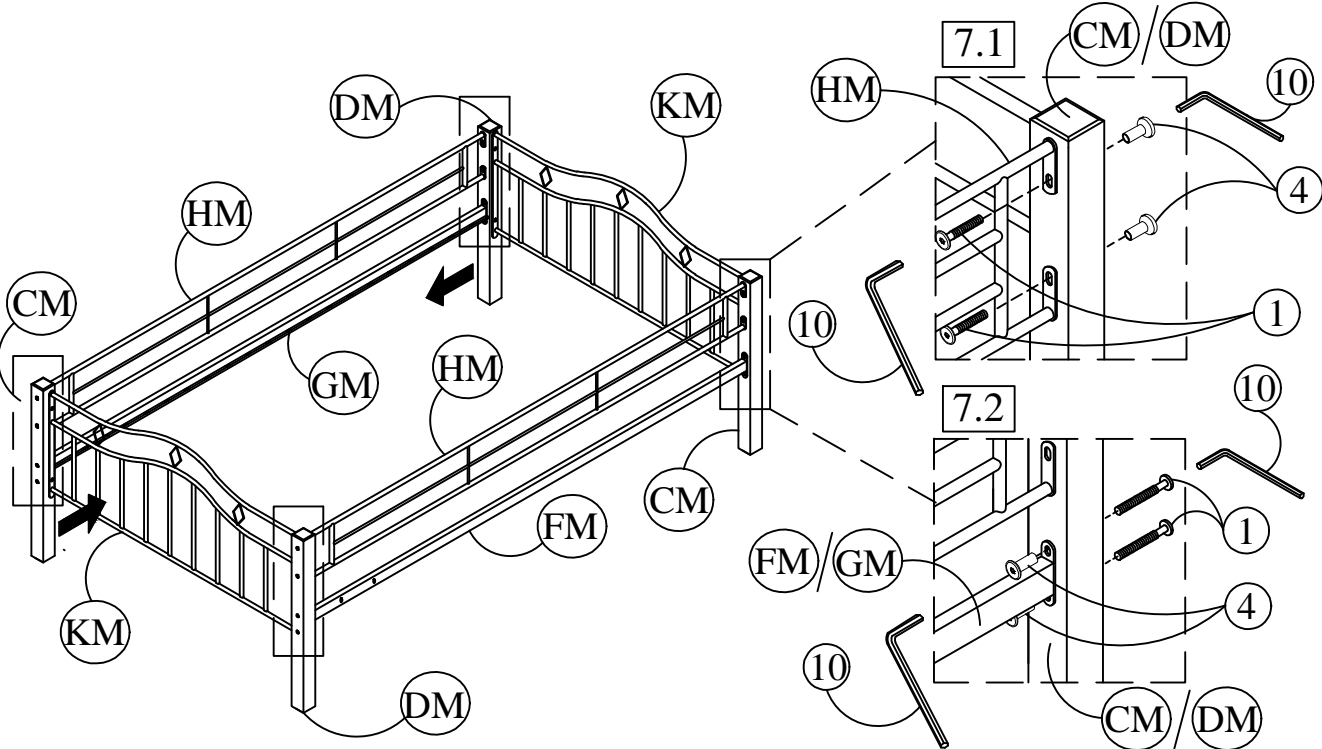
STEP 6 (Upper Bed)

Align & fasten upper bed end (KM) to left back & right front upper bed end leg (CM) and left front & right back upper bed end leg (DM) using small short bolt (3) & fully tighten with small Allen wrench (10)



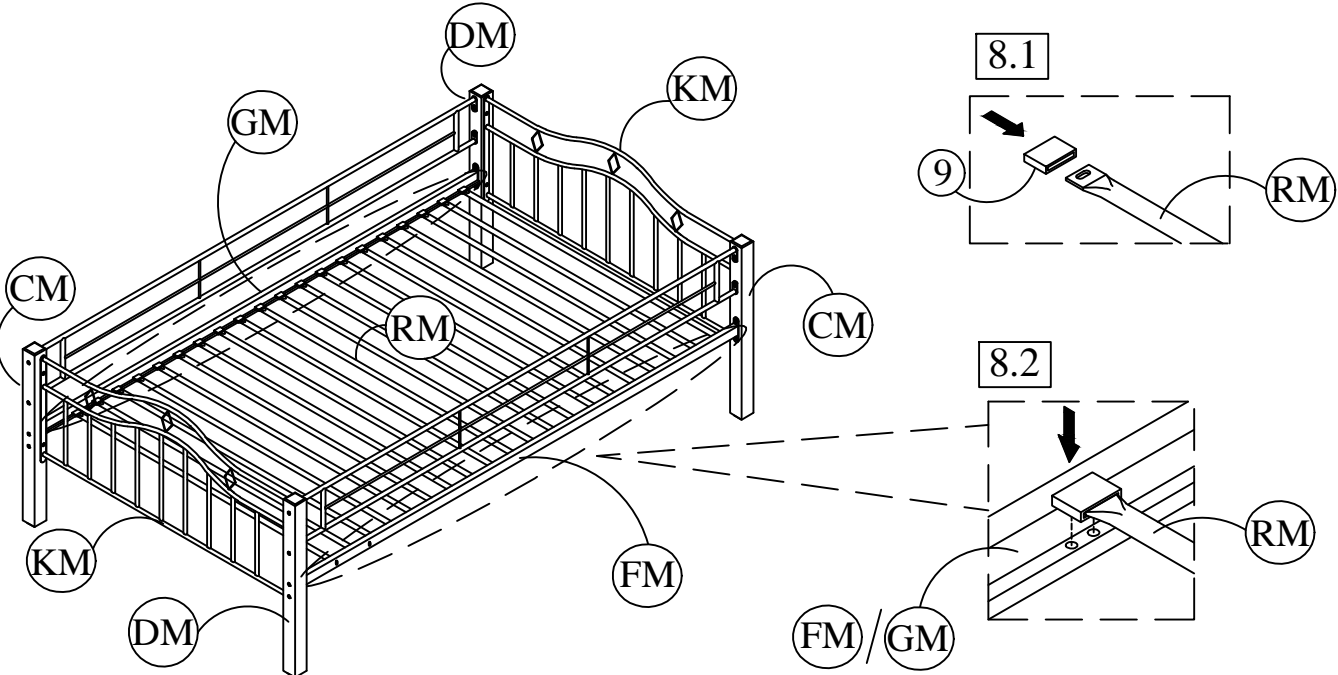
STEP 7 (Upper Bed)

- 7.1) Align & fasten guardrail (HM) to left back & right front upper bed end leg (CM) and left front & right back upper bed end leg (DM) using small long bolt (1) & cylinder nut (4) and fully tighten with small Allen wrench (10).
- 7.2) Align and fasten front upper bed rail (FM) and back upper bed rail (GM) to left back & right front upper bed end leg (CM) and left front & right back upper bed end leg (DM) using small long bolt (1) & cylinder nut (4) and fully tighten with small Allen wrench (10).



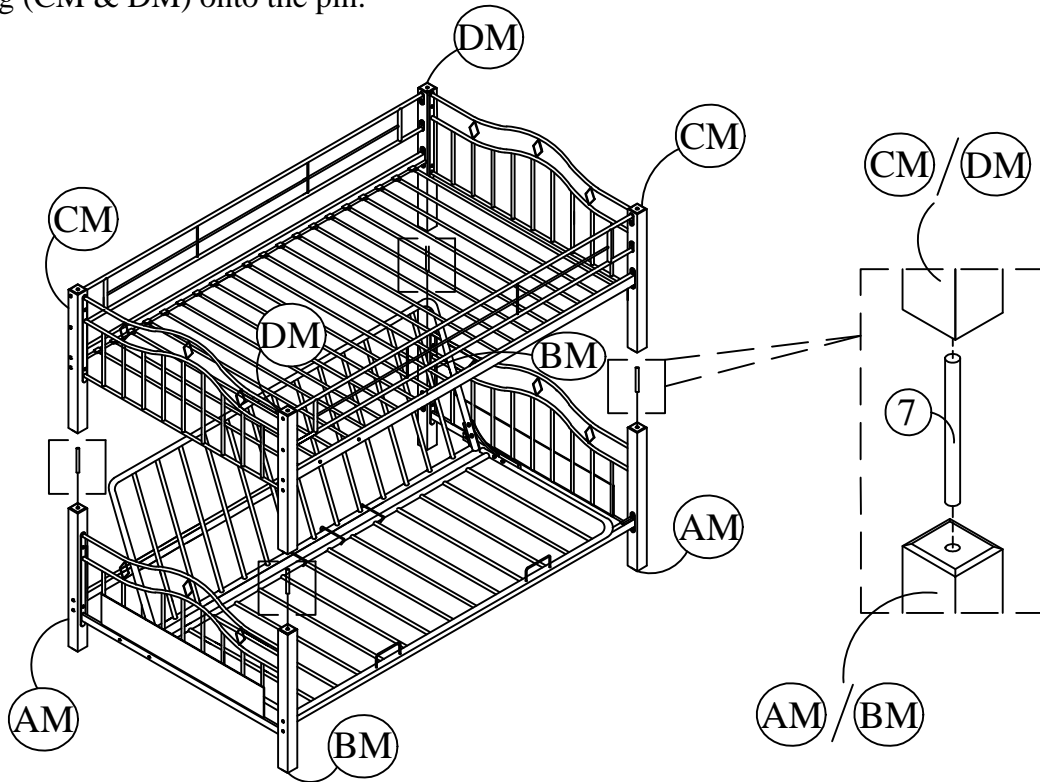
STEP 8 (Upper Bed)

- 8.1) Push to fix two pieces of plastic connector (9) to both ends of bed slat (RM).
- 8.2) Press to fix the pin on the plastic connector (9) into the holes of front upper bed rail (FM) and back upper bed rail (GM). Light tap with a rubber mallet (NOT INCLUDED) to fully insert the pin on the plastic connector (9) into the holes.



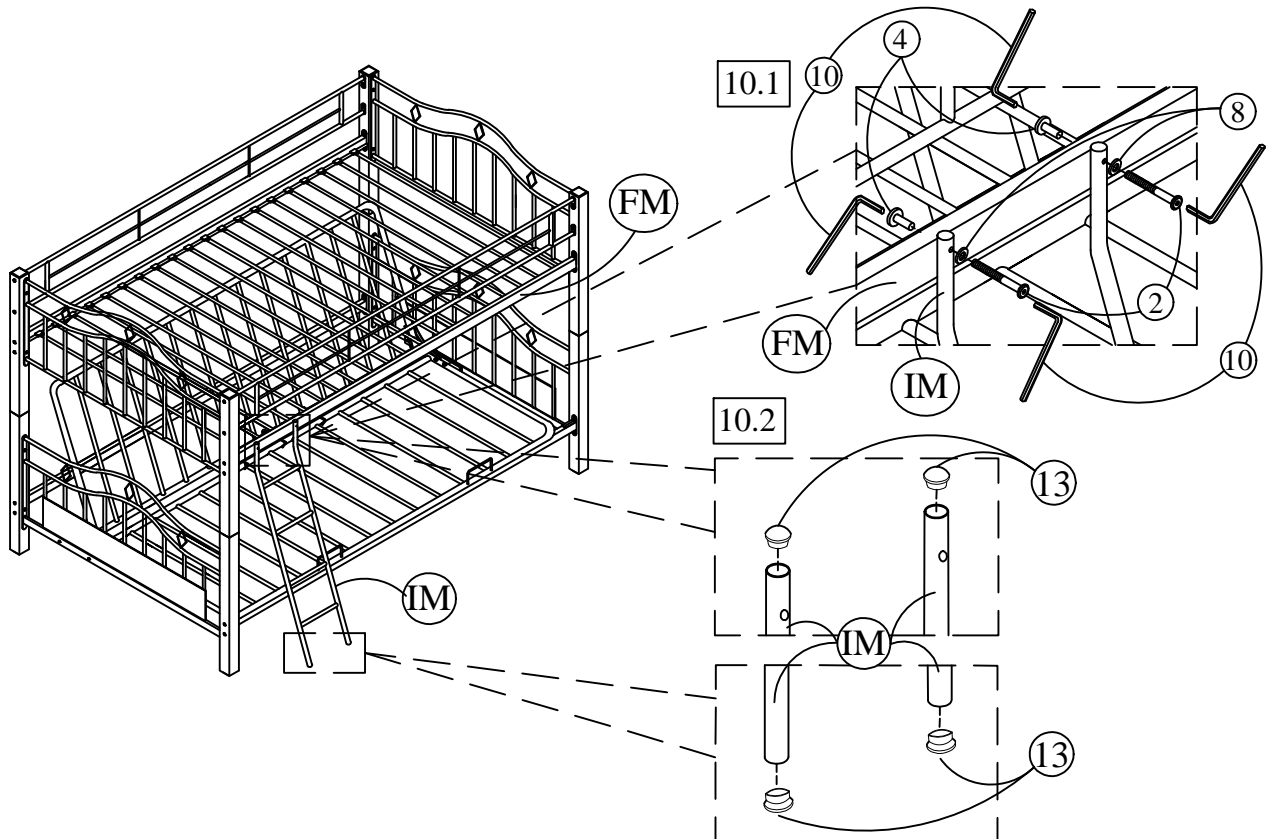
STEP 9 (Upper Bed)

Insert metal pin (7) on the top of lower bed end leg (AM & BM). Then align & place the upper bed end leg (CM & DM) onto the pin.



STEP 10 (Upper Bed)

- 10.1) Align and fasten ladder (IM) to front upper bed rail (FM) using small medium bolt (2), flat washer (8) & cylinder nut (4) and fully tighten with small Allen wrench (10).
- 10.2) Insert ladder dowel (13) to both ends of ladder (IM).



SAFETY WARNING

Our bunk beds have been tested by an independent laboratory and are certified to be in compliance with ASTM F-1427, "Standard Consumer Safety Specification for Bunk Beds" and U.S Government specification 16 Code of Federal Regulations, parts 1213 and 1513.

1. Follow the information on the warning attached to the upper bunk end structure and on the carton. Do not remove this label.
2. Always use the recommended size mattress or mattress support or both to help prevent the likelihood of entrapment or falls.
3. Surface of mattress must be at least five inches (127mm) below the upper edge of guardrails.
4. Do not allow children less than six years of age to use the upper bunk.
5. Prohibit more than one person on upper bunk.
6. Periodically check and ensure that the guardrail, ladder and other components are in their proper position, free from damage, and that all connectors are tight.
7. Do not allow horseplay on or under the bed and prohibit jumping on the bed.
8. Always use the ladder for entering and leaving the upper bunk.
9. Do not use substitute parts. Contact the manufacturer or dealer for replacement parts.
10. Use of a night light may provide added safety precaution for a child using upper bunk.
11. If the bunk bed will be placed next to a wall, the guardrail that runs the full length of the bed should be placed against the wall to prevent entrapment between the bed and the wall. (This applies only to bunk beds without two full-length guardrails.)
12. Always use guardrails on both long sides of the upper bunk.
13. The use of water or sleep flotation mattress is prohibited.
14. Keep these instructions for future reference.

STRANGULATION HAZARD:

15. Never attach or hang items to any part of the bunk bed that are not designed for use with the bed for example, but not limited to hooks, belts, and jump ropes.

SIZE OF MATTRESS AND FOUNDATION:

Use only mattress which is 37 ½" - 38 ½" in width and 75" in length. The total thickness of mattress and foundation (slat kit, bunk board, etc.) combined must not exceed 6"

Note: There must be at least 5" from mattress sleeping surface to top edge of guardrail.

REPLACEMENT PARTS:

Replacement parts, including additional guardrails may be obtained from any Dealer of the manufacturer.



WARNING

TO PREVENT SERIOUS OR FATAL INJURY

1. When using beds as bunk beds, the ladder **MUST** be securely attached to the upper bunk rail at all times.
2. When using the beds as two (2) separate floor-standing beds, the ladder **MUST** be stored in a separate location where children cannot use the ladder in any manner.
3. **DO NOT** use, nor permit children to use, the ladder in any manner whatsoever, other than to access the top unit when used as bunk beds, and only if the ladder is securely attached to the top bunk rail, as set forth in the instructions.
4. Any misuse or unauthorized use of the ladder could result in serious or fatal injury.
5. Failure to follow the above WARNING, and/or failure to follow assembly instructions completely, will void any and all liability for damages and injury to persons and property.