

ALADDIN LIGHT LIFT

INCORPORATED
"The Original Light Lift System"



OWNER'S MANUAL
AND TECHNICAL GUIDE

Safety Benefits


The Aladdin Light Lift is equipped with two separate independent locking systems to securely hold the chandelier. For maximum safety, electrical current to the chandelier is automatically disconnected while the fixture is lowered. There's no risk of electrical shock while cleaning or changing bulbs.



**No Access?
Aladdin
has the solution!**

Aladdin Light Lift offers a remote mounting option that consists of a unique system of cables, brackets, and pulleys which are built into your light lift.

The remote mounting option is needed when no direct access is available above the chandelier.



Easy to Install

The Aladdin Light Lift is neatly tucked away in the area above the ceiling, so there's no visible indication of the system. Installation by a licensed electrician is simple, since the system uses existing wiring. And, once in place, the chandelier can be installed at floor level safely and economically, eliminating the need for scaffolding.



Features

MODEL	MAX. WEIGHT	STANDARD WATTAGE
ALL200	200 Lbs.	1560 watts*
ALL300	300 Lbs.	1560 watts*
ALL700	700 Lbs.	2200 watts*

*OPTIONAL WATTAGE

2200 watt	- 1 circuit maximum
3300 watt	- 2 circuit maximum
4400 watt	- 2 circuit maximum

WARRANTY	1 year warranty on components
SLOPED CEILINGS	Adapter Available
RELAMPING CORD OPTION	A separate cord which allows user to relight chandelier at floor level
SPECIAL ORDER MODELS	1000 Lb. maximum
WINCH CABLE LENGTH	35' Standard 65', 90' or 120' Optional
PATENTED SYSTEM	Made in USA

8370 Wolf Lake Drive, Suite 112
 Memphis, Tennessee 38133
 Phone (901) 385-0456 • Fax (901) 385-0533
www.aladdinlightlift.com

Model Number

- ALL200
- ALL300
- ALL700
- ALL1000

- Remote Mount Option
- Directional Pulleys_____
- Sloped Ceiling Adapter
- Greenfield

This light lift is equipped with a 35' winch cable unless checked below:

- 65'
- 90'
- 120'

This light lift is equipped with a 1,560 watt light capacity unless checked below:

- 2200 watts
- 3300 watts 2 circuit
- 4400 watts 2 circuit

- SmartLift Controller
- Relamping Cord

TABLE OF CONTENTS

Warnings and Safety Precautions	1-2
Features and Benefits	
Easy Installation and Safety	3
Keyswitch	3
SmartLift Controller	4
Relamping Cord	4
How to Determine Your Model	5-6
SmartLift Controller Guide	7-8
Standard Installation Guide	9
Special Situations: Standard Installation	16
Special Installations	
Dome Ceilings.....	19
Sloped Ceilings	20
Remote Installation Guide.....	21
Special Situations: Remote Installations	32
Specifications	
Models ALL200 and ALL300	35
Models ALL700 and ALL1000	36
Troubleshooting	37-39
Warranty Card	40

WARNINGS AND SAFETY PRECAUTIONS

The following statements are warnings and safety precautions for the installation, operation, and maintenance of the Aladdin Light Lift. Closely follow the installation instructions when installing the Aladdin Light Lift. Please contact technical support (877) 287-4601 with any questions or concerns regarding the following:

1. The Aladdin Light Lift is designed for use in accessible locations only. See remote installation guide for additional options.
2. Do not exceed wattage capacity of lighting circuitry. Refer to the owner's manual for exact capacity of the light lift.
3. The power source for the motor on the Aladdin Light Lift should be fed by a source other than the light switch leg.
4. The Aladdin Light Lift must be mounted on a level plane in a standard installation. The winch cable should be plumb through the center of the top contact plate on the ceiling box.
5. Never operate the Aladdin Light Lift without weight or tension on the winch cable. This can cause the cable to jump off the winch spool and get caught in the winch gears. Contact technical support toll free at (877) 287-4601 should this situation occur.
6. Never extend the full length of winch cable from the Aladdin Light Lift. This could cause the cable to become reversed on the winch. See Keyswitch operation tag and operation instructions. Refer to the owner's manual for winch cable length on the Aladdin Light Lift. Contact technical toll free at (877) 287-4601 should this occur.
7. Use the permanent screw collar loop furnished with the chandelier.
8. Always make sure the dowel pin is flush in the nipple of the bottom contact plate. The fixture coupler should be threaded over the dowel pin and hole at all times.
9. Always disconnect power source from the Aladdin Light Lift when servicing or performing maintenance.
10. Never use a dimmer switch unless motor is wired on a separate circuit from lights.
11. Always remove packing tape from the winch before operating the light lift.
12. Always wait five seconds between running the Aladdin Light Lift in opposite directions.
13. Only adjust length of chain to adjust chandelier elevation. Never cut or adjust the length of winch cable.

14. Never adjust the cone height on the bottom contact plate. This will interfere with the automatic shutoff system.
15. Never allow the chandelier's canopy to make contact with the ceiling before the contact plates meet. This will cause a canopy sized hole in the ceiling.
16. Always use the supplied thread lock where the fittings attach the chandelier to the bottom contact plate.
17. Never install the Aladdin Light Lift where the ceiling height exceeds the existing length of winch cable. This could cause a reversed cable. The length of cable is marked on the Aladdin Light Lift cover, in the owner's guide, and on the outer shipping box. See warning and safety precaution number 6. Contact technical support toll free at (877) 287-4601 should a reversed cable situation occur.
18. Do not stand or sit underneath the chandelier while operating the Aladdin Light Lift.
19. In remote installations, make sure the winch cable is unobstructed between pulleys.
20. In remote installations, make sure the winch cable travels straight to and from the pulley grooves for proper operation. Keeping the pulleys on the same plane is the best way to insure cable alignment.
21. Do not hang or swing from the Aladdin Light Lift winch cable.
22. Never hang anything but a single stem or chain hung chandelier from the Aladdin Light Lift.
23. Do not hang more than one chandelier from the Aladdin Light Lift.
24. Never use multiple Aladdin Light Lifts to hang one chandelier.
25. Periodically inspect winch cable for frays or kinks. If a fray or kink is detected, contact technical support toll free at (877) 287-4601.
26. Only use fittings, such as the dowel pin, nipples, and fixture couplers, supplied by Aladdin Light Lift to hang the chandelier.
27. Never alter the Aladdin Light Lift from its original state.
28. Always turn the chandelier's lights off at the wall switch when operating the Aladdin Light Lift.

FEATURES AND BENEFITS

Easy to Install

The Aladdin Light Lift is neatly tucked away in the area above the ceiling, leaving no visible indication of the system. Installation by a licensed electrician is simple, in both new construction and existing homes. And, once in place, the chandelier can be installed at floor level safely and economically.

Designed for Years of Trouble-Free Operation

The Aladdin Light Lift is designed for years of trouble-free operation. The patented system has been rigorously tested and uses the latest technology for electrical components and its gearing mechanism. Even heavy chandeliers are no problem for a properly sized Aladdin Light Lift.

Safety Benefits

Independently tested... UL and CUL Listed (ALL1000 Pending)

Each model is equipped with two separate independent locking systems to securely hold the chandelier. For maximum safety, electrical current to the chandelier is automatically disconnected while the chandelier is lowered. There is no risk of electrical shock while cleaning or changing bulbs.

Warranty

The Aladdin Light Lift is backed by a full 1-year limited warranty on all parts and components.

Just Turn the Key

The Aladdin Light Lift comes with a special Keyswitch which can be conveniently installed in any new or existing wall. The Keyswitch is child resistant and prevents accidental activation of the light lift. The chandelier is lowered by simply inserting the key and turning the switch. Releasing the key stops the chandelier at the height you choose. It's that easy.

**Standard on ALL200 and ALL300*

**Special Order on ALL700 and ALL1000*



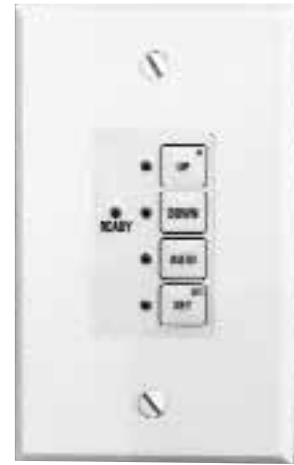
FEATURES AND BENEFITS

SmartLift Controller

The SmartLift Controller is designed to operate the Aladdin Light Lift with touch pad controls. It can be programmed to automatically stop at any desired height above the floor. It automatically shuts off at the ceiling without being programmed.

**Standard on ALL700 and ALL1000*

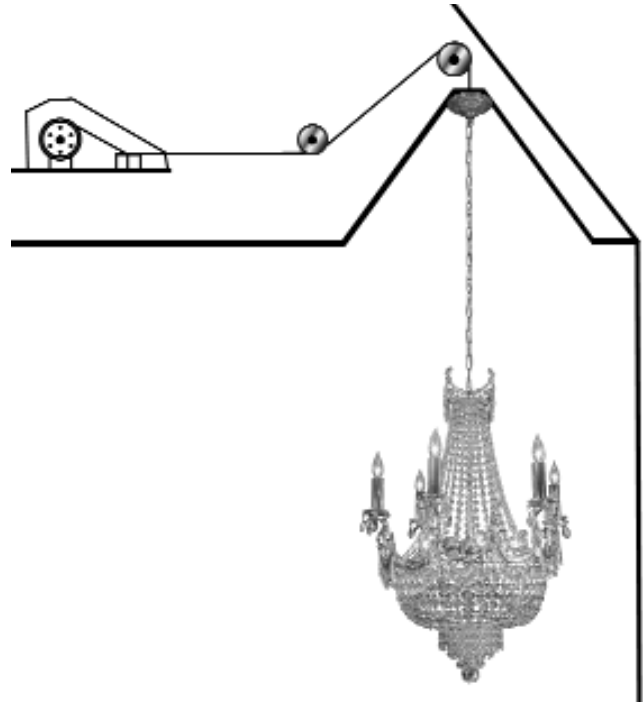
**Special Order on ALL200 and ALL300*



No Access? Aladdin has the solution!

Aladdin Light Lift offers a remote mounting option that consists of a unique system of cables, brackets, and pulleys which are built into the light lift.

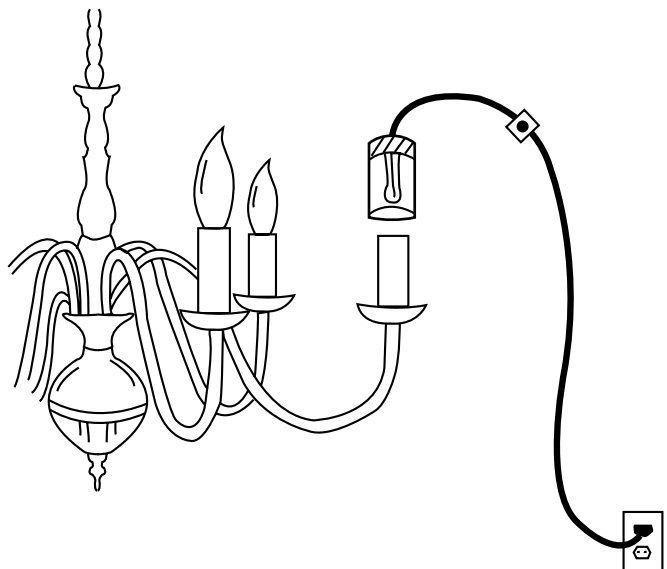
The remote mounting option is needed when no direct access is available above the chandelier. This option **MUST** be ordered with the light lift. Remote mount options or directional pulleys can not be added to a standard installation light lift.



Relamping Cord

The relamping cord is used to temporarily relight the chandelier at floor level.

To operate: After lowering the chandelier to floor level, unscrew one bulb. Remove the end cap and screw the metal chandelier base inside the plastic tube down into the chandelier socket. Plug the Relamping Cord into an extension cord and plug into a wall outlet. This will relight all the bulbs in the chandelier. The Relamping Cord is designed for candelabra-base fixtures.



Caution: This is a temporary relamping source. Do not use this cord to permanently light a chandelier.

HOW TO DETERMINE YOUR MODEL

The following questions will assist you in determining which Aladdin Light Lift to order:

1. How heavy is the chandelier that will be installed on the Aladdin Light Lift?

Aladdin Light Lift, Inc. offers four different models. They range from 200lbs to 300lbs to 700lbs to 1000lbs. The 200lb is the model ALL200, the 300lb is the model ALL300 and so on. If the chandelier weighs less than 200lbs, the ALL200 is sufficient. If the chandelier weighs more than 200 lbs and less than 300 lbs, order the ALL300. If the chandelier weighs more than 300lbs, order the ALL700, etc.

2. How high is the ceiling in the room where the chandelier will hang?

The standard installation light lift winch cable length is 35 feet. If more winch cable is needed due to ceiling height, Aladdin offers increments of 65 feet, 90 feet, and 120 feet.

3. How much wattage does the chandelier have?

The ALL200 and ALL300 come standard with the capacity to handle 1560 watts. The ALL700 and ALL1000 come standard with the capacity to handle 2200 watts. Aladdin offers wattage upgrade packages of 2200, 3300 (2-circuit), and 4400 (2-circuit) watts. Two circuit packages can not be used with remote options and can not be added in the field.

4. Can the Aladdin Light Lift be mounted directly above the chandelier?

Standard light lifts are designed to be installed directly above the chandelier. This requires a minimum of three feet of vertical access space. If this space is not available, the remote mount option must be ordered with the light lift.

STANDARD INSTALLATION LIGHT LIFTS CAN NOT BE MODIFIED TO REMOTE INSTALLATION LIGHT LIFTS IN THE FIELD.

THE REMOTE MOUNT OPTION MUST BE ORDERED WITH THE LIGHT LIFT.

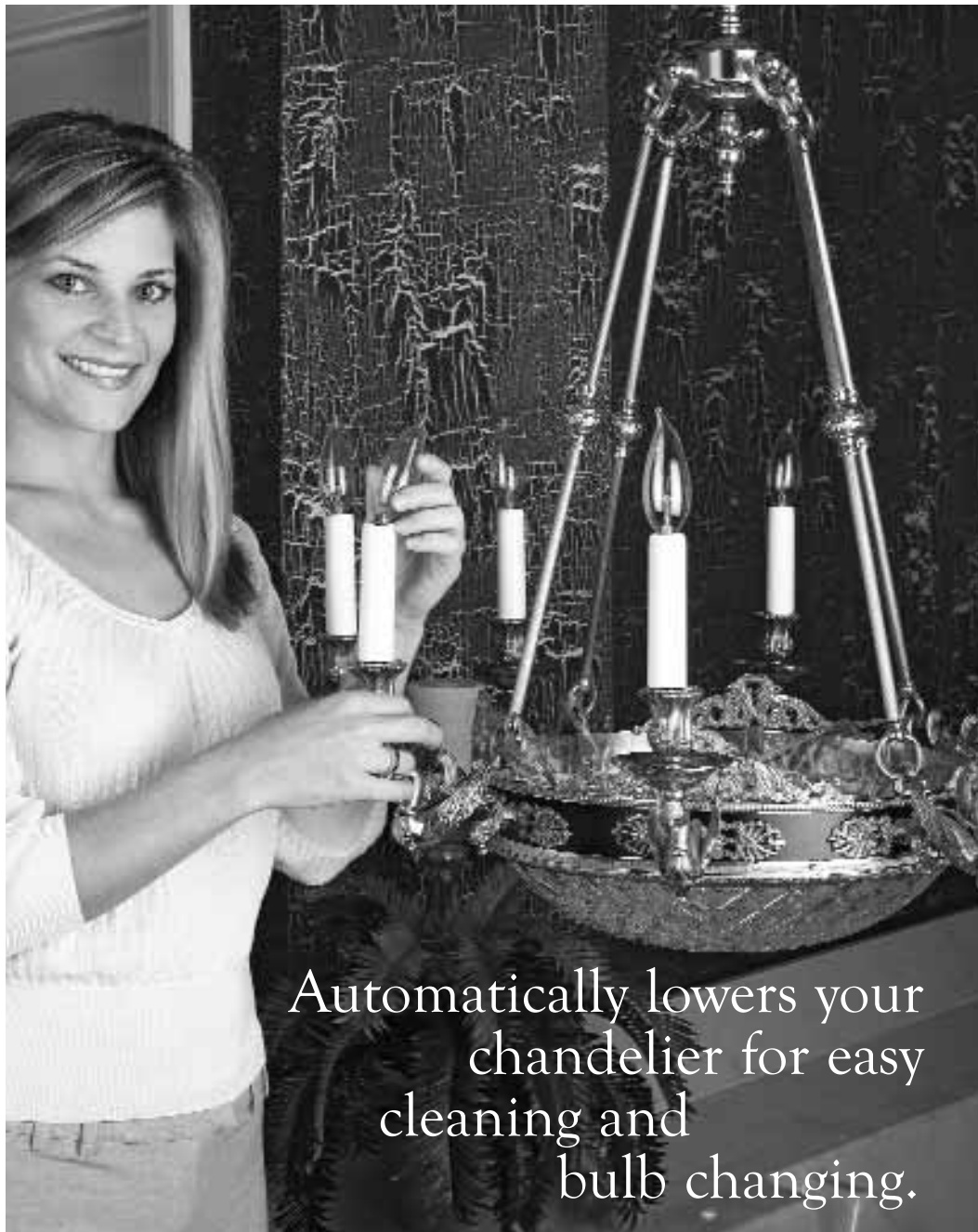
- A. REMOTE MOUNT OPTION: Includes: 65' winch cable, remote mounting bracket with pulley on top to mount on or between ceiling joists, a horizontal cable feed from motor assembly, 25' of romex and limit switch wiring. The light lift motor assembly can be mounted up to 25' away from the pulley above the chandelier.
- B. DIRECTIONAL PULLEYS: These are used to change the direction of the winch cable-up or down-one pulley for each change. If the light lift motor unit will mount directly in line with where the chandelier hangs, a directional pulley is not necessary. However, if the direction changes up or down, as in a sloped ceiling, a directional pulley is needed for each change.

- C. SLOPED CEILING ADAPTOR: Includes a threaded nipple, brass ball, and canopy. This allows the canopy to rotate on the brass ball so the canopy can pull up at an angle on the sloped ceiling. (Can be added in the field)
- D. CONDUIT CUT TO MINIMUM: Order the remote light lift with conduit cut to minimum if the depth for the bracket and pulley on top is less than 12 1/2 inches for the ALL200 or ALL300: less than 13 inches for the ALL700 or ALL1000.

REMOTE INSTALLATION MODEL NUMBER EXAMPLE:

ALL200-RM-2DP-2200W-SLC. This means an order for a 200lb light lift with a remote mount option, two directional pulleys, a 2200 watt upgrade kit, and a SmartLift Controller.

See the Remote Installation Guide for technical drawings.



Automatically lowers your
chandelier for easy
cleaning and
bulb changing.

SMARTLIFT CONTROLLER GUIDE

HOME POSITION: Understanding the HOME POSITION is essential to operating and programming the SmartLift Controller. The HOME POSITION is when the light lift automatically shuts itself off at the ceiling.

NEW INSTALLATION:

--Plug the controller into the low voltage control wire and make sure power is applied to the light lift.

--If the light lift is at the HOME POSITION, proceed to PROGRAMMING THE DOWN POSITION.

--If the light lift is NOT at the HOME POSITION, all of the lights will flash and the unit will beep three times. To enable the controller, press the **SET** button until it beeps and the **SET** light flashes. Now, press the **UP** button. The controller is enabled when it beeps and the **READY** light turns green. The **UP** and **DOWN** lights will flash and it beeps. Press the **UP** or **DOWN** button to run the light lift depending on your installation needs. The controller becomes disabled after 90 seconds of inactivity.

--When ready, press the **UP** button to run the light lift to the HOME POSITION. The controller can only be programmed from the HOME POSITION.

PROGRAMMING THE DOWN POSITION:

--The light lift must be at the HOME POSITION for programming.

--Programming the controller's 'down position' should not be performed until the chandelier is installed and final chain length is determined.

--To program a 'down position,' first enable the controller. To enable the controller, press the **SET** button until it beeps and the **SET** light flashes. Now, press the **UP** button. The controller is enabled when it beeps and the **READY** light turns green. The controller becomes disabled after 90 seconds of inactivity.

--Once enabled, press the **DOWN** button until the chandelier reaches the desired elevation. Press the **SET** button then press the **DOWN** button. The 'down position' is programmed when it beeps and the **DOWN** light is on.

--To return the light lift to the HOME POSITION press the **AUTO** button then the **UP** button. The light lift will run up automatically and shut off at the ceiling.

--When the 'down position' is programmed, it will always be remembered: even if there is a power outage. If there is a power outage, run light lift to the HOME POSITION before running it to the 'down position.'

--To clear the programmed 'down position,' press the **DOWN** button and the **SET** button simultaneously until the **DOWN** light flashes. Press the **DOWN** button again and the programmed 'down position' is cleared with a beep.

--Once the controller is programmed, use the NORMAL OPERATION section for future use.

NORMAL OPERATION:

--To operate the light lift, first enable the controller. To enable the controller, press the **SET** button until it beeps and the **SET** light flashes. Now, press the **UP** button. The controller is enabled when it beeps and the **READY** light turns green. The controller becomes disabled after 90 seconds of inactivity.

--If controller is programmed, press the **AUTO** button then the **DOWN** button to run the light lift to the 'down position.' Press the **AUTO** button then the **UP** button to return the light lift to the HOME POSITION. Press the **UP** button to stop the lift from running down at any time. Press the **DOWN** button to stop the lift from running up at any time.

--If the controller has not been programmed, press the **DOWN** button to run the light lift to the desired elevation. Press the **UP** button to return the chandelier to the HOME POSITION.

--Although the controller will disable after 90 seconds of inactivity, it may be necessary to disable it on your own. To do so, press the **SET** button until it beeps and the **SET** light flashes. Now, press the **UP** button. The controller is disabled when it beeps and the **READY** light goes out.

OTHER IMPORTANT NOTES:

--Never fully extend all of the winch cable from the light lift. This can cause a reversed cable situation which can be hazardous. See the owner's manual for cable length.

--Never allow a child to operate an Aladdin Light Lift or SmartLift Controller.

--Make sure the winch cable is plumb through the center of the ceiling box before running light lift to the HOME POSITION.

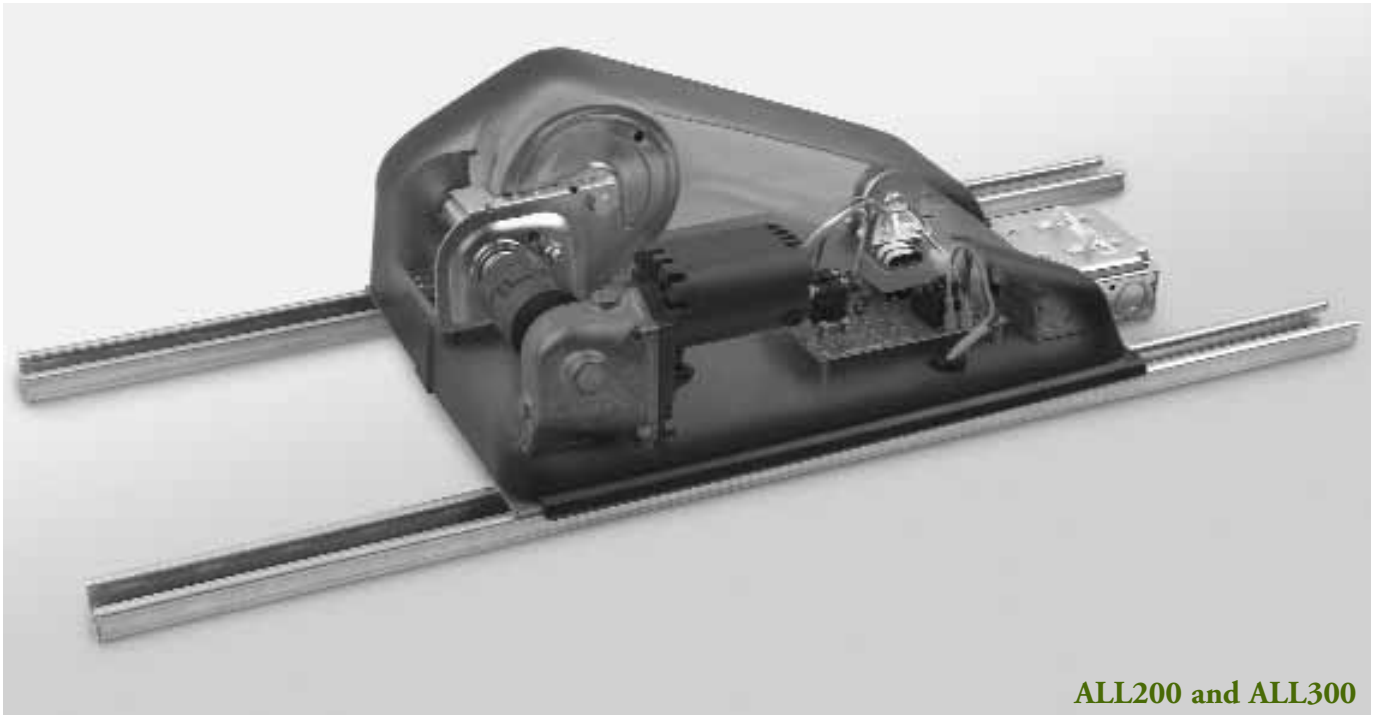
--Contact Aladdin Light Lift's technical support if you experience problems operating the SmartLift Controller. (877) 287-4601

INSTALLATION GUIDE: STANDARD INSTALLATION

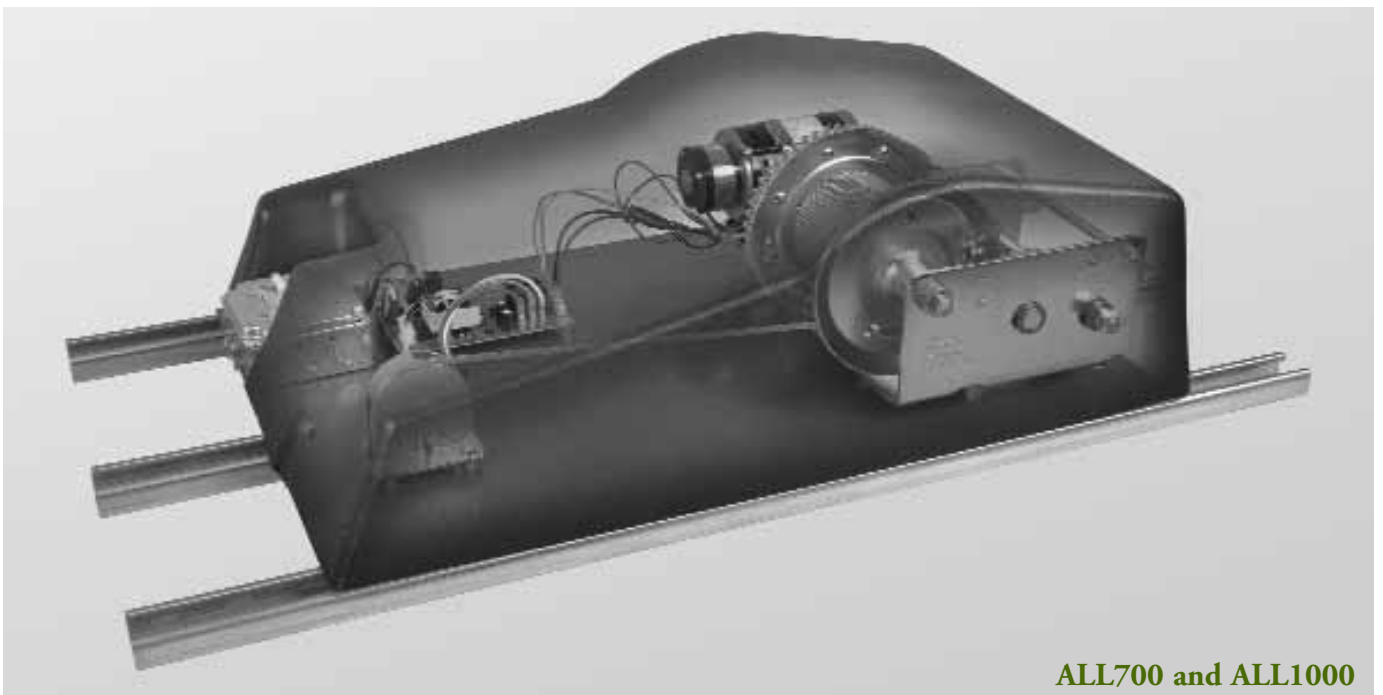
If this installation guide is needed in Spanish or French, contact Aladdin Light Lift at (877) 287-4601.

Always disconnect the power when servicing or performing maintenance to the light lift. Electricity can kill!

This installation guide is for STANDARD INSTALLATION Aladdin Light Lifts that mount in accessible locations directly above the chandelier. If the light lift contains a remote mounting option, refer to the REMOTE INSTALLATION guide (page 21).



ALL200 and ALL300



ALL700 and ALL1000

GETTING STARTED:

1. Details regarding light wattage capacity and weight capacity of the light lift are marked on the inside cover of the owner's manual.
2. Study the 'Warnings and Safety Precautions page' in the owner's manual.
3. Read the installation instructions, study the drawings carefully, and study each part and step.
4. Make sure all needed parts are present. The standard light lift unit consists of channel strut, chassis plate, winch, motor, control board, pulley, winch cable, ceiling box, bottom contact plate, temporary weight, conduit assembly, fixture coupler, and wiring. The following items should also be included in the parts bag and Keyswitch/SmartLift Controller bag:



A. #10 x 1-1/4" Pan Phillips-Wood Screws



B. 3/16" x 1" Fender Washers



C. fixture coupler



D. jam nut



E. screw collar ring



F. thread lock



G. Keyswitch assembly



or H. SmartLift Controller assembly

INSTALLATION TIPS: STANDARD

- a. Wire the lights and motor on separate circuits. The motor draws minimal amperage so a dedicated circuit is not necessary, but should be separate from the lights.
- b. The winch cable must be centered in the ceiling box. Check the cable's position after chandelier is installed.
- c. Never operate motor without tension on the winch cable.
- d. Use the permanent screw collar loop furnished with the chandelier.
- e. Light lifts being installed in commercial applications must use Greenfield for the line voltage wiring. Remove the plastic cover if using in an air handling space.

- f. Aladdin Light Lift motors must be installed in accessible locations. Remote mounting options can be used for installations where the motor can not be mounted directly above the chandelier.
- g. Never install the light lift in ceilings with heights that exceed the winch cable length. The cable length is marked on the inside cover of the owner's manual.
- h. Never fully extend the winch cable from the light lift. If the light lift is continuously run down, the cable can fully extend and start back up again reversing itself on the winch. This will cause the disc brake to be inoperative and possibly cause the fixture to fall.
- i. There are a few ways to tell if the winch cable is reversed. The ALL200 and ALL300 leaves the factory with the cable rolling off of the top of the winch. The ALL700 and ALL1000 leaves the factory with the cable rolling off of the bottom of the winch. If the cable is opposite of this, the cable is reversed. Also, if the cable is reversed, the light lift will not shut down properly when the chandelier gets to the ceiling. If the light lift doesn't make a consistent clicking or ratcheting sound while running up, the cable is reversed. Contact Aladdin Light Lift immediately if any of these situations occur.
- j. If the light lift is not operating properly, have a licensed electrician follow the troubleshooting guide found in the owner's manual. Most of the time, the problem can be fixed by following the troubleshooting guide. If not, have an electrician contact technical support from the light lift in the attic with two jumper wires and a volt meter. Usually, the problem can be fixed over the phone. The toll free tech support line is (877) 287-4601.

OPERATION TIPS: STANDARD

- a. Turn the chandelier off at the light switch when operating an Aladdin Light Lift.
- b. If the Keyswitch is used, hold the key to the right to run the light lift down. Let go of the key when a desired elevation is reached. Turn and hold the key to the left to run the light lift up. If installed correctly, the light lift will shut off automatically when it reaches the ceiling. At this time it is safe to turn the chandelier back on.
- c. If using a SmartLift Controller, refer to the SmartLift Controller Guide in the owner's manual. See page 7.
- d. Never fully extend the winch cable from the light lift. If the light lift is continuously run down, the cable can fully extend and start back up again reversing itself on the winch. This will cause the disc brake to be inoperative and possibly cause the fixture to fall. The cable length is marked on the inside of the owner's manual.
- e. There are a few ways to tell if the winch cable is reversed. The ALL200 and ALL300 leaves the factory with the cable rolling off of the top of the winch. The ALL700 and ALL1000 leaves the factory with the cable rolling off of the bottom of the winch. If the cable is opposite of this, the cable is reversed. Also, if the cable is reversed, the light lift will not shut down properly when the chandelier gets to the ceiling. If the light lift doesn't make a consistent clicking or ratcheting sound while running up, the cable is reversed. Contact Aladdin Light Lift immediately if any of these situations occur.
- f. If the light lift is not operating properly, have a licensed electrician follow the troubleshooting guide found in the owner's manual. Most of the time, the light lift can be fixed by following the troubleshooting guide. If not, have an electrician contact technical support from the light lift in the attic with two jumper wires and a volt meter. Most of the time, the light lift can be fixed over the phone. Our toll free tech support line is (877) 287-4601.

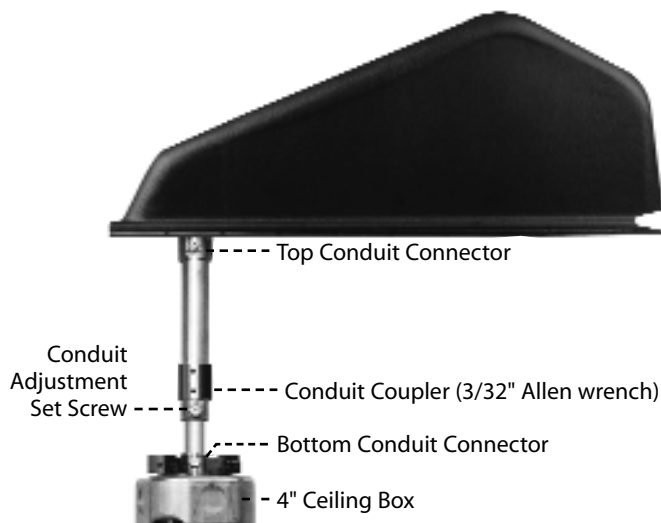
STEP 1-STANDARD INSTALLATION

1. Take the light lift out of the box and remove the cover.
2. Determine where the light lift will sit on the joists directly above where the chandelier will hang.
3. If joist interferes where the chandelier will hang, see SPECIAL SITUATIONS: STANDARD INSTALLATION 'B' (page 17).

STEP 2-STANDARD INSTALLATION

1. If an existing ceiling box is present, it must be removed. Only use the ceiling box provided with the light lift.
2. Cut a 4 1/2" hole in the ceiling for the ceiling box. If you removed an existing ceiling box, the hole may need to be enlarged.
3. Attach the top of the conduit assembly into the conduit connector and tighten the set screw. The connector is underneath the pulley on the light lift.
4. Attach the bottom of the conduit assembly to the ceiling box and tighten the set screw.

Diagram A



IMPORTANT: The ceiling box should not touch the inside of the 4 1/2" hole in the ceiling. The ceiling box does not support any weight of the chandelier. The tension is on the winch cable. The conduit assembly can be adjusted later to accommodate for different canopy depths. The set screw in the conduit coupler must be secure for the automatic shutoff system to work. Use the 3/32" Allen wrench for adjustments.

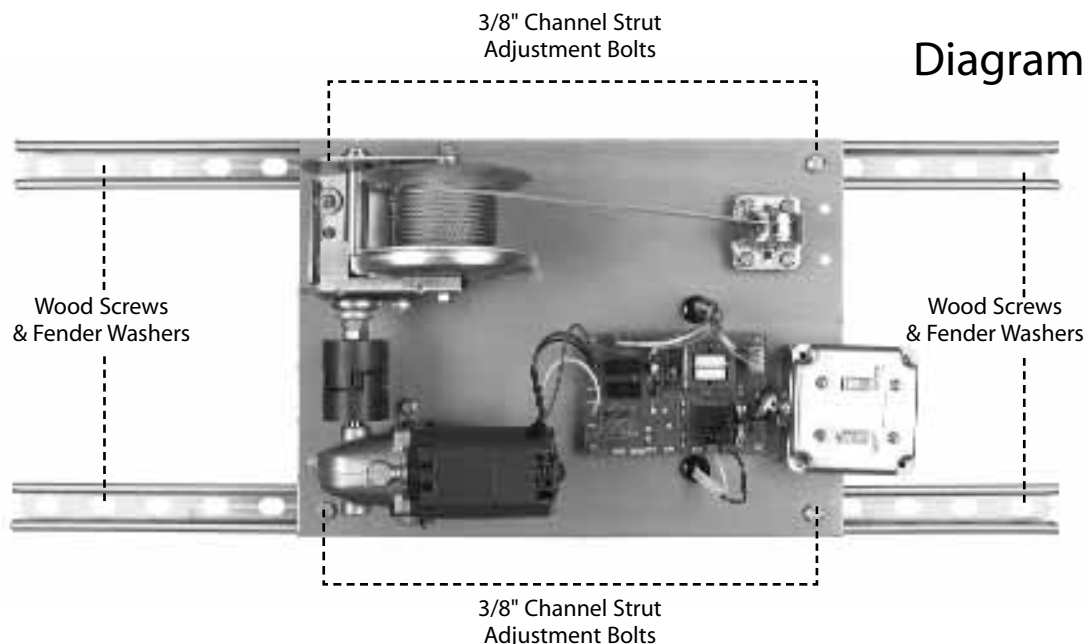


Diagram B

STEP 3-STANDARD INSTALLATION

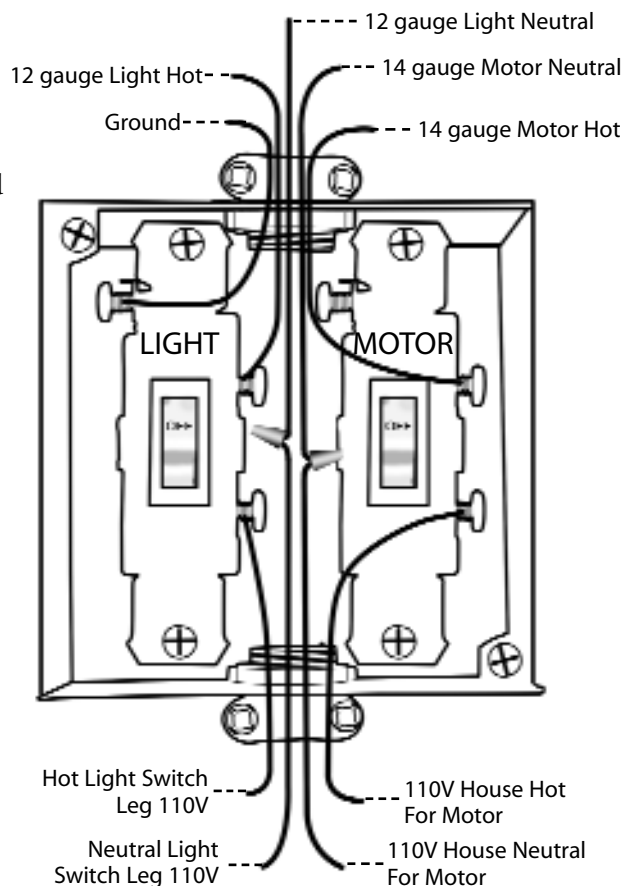
1. Mount the light lift LEVEL, spanning across the ceiling joists directly above where the chandelier will hang. The pulley assembly on the light lift designates where the winch cable will exit through the ceiling box.
 2. The light lift has bolts that hold it to the channel strut. These bolts may be loosened for channel strut adjustments. Do not forget to retighten the bolts if this adjustment was made.
 3. Secure the channel strut to the ceiling joists using the wood screws and washers in the parts bag supplied with the light lift.
 4. Loosen the set screw on the 1/2" end of the conduit coupler using the 3/32" Allen wrench. Adjust the ceiling box up or down and retighten the set screw to make it flush with the ceiling. This is a good starting point before hanging the chandelier.
- Note:** The conduit assembly is made up of a 3/4" and 1/2" conduit held together by a conduit coupler. The two pieces of conduit are telescopic.
5. If the conduit is either too long or too short after adjusting, see SPECIAL SITUATIONS: STANDARD INSTALLATION 'C' (page 17).
 6. Just because the light lift is mounted level, does not mean the winch cable is hanging through the center of the ceiling box. From the floor level, check the cable's position in the ceiling box. It should hang through the center of the top contact plate which is attached to the ceiling box. If the cable is not centered, the light lift will not shut off properly when the chandelier reaches the ceiling. Use flat washers to shim one side or the other of the light lift's channel strut until cable hangs through the center of the ceiling box. Check cable position again, later, when chandelier is hung.

STEP 4-STANDARD INSTALLATION

1. Wire the motor switch in the square box with 110V house wiring. The 14 gauge wiring in the square box is for the motor. This circuit does not have to be dedicated but must be separate from the light switch leg. The motor draws 1 amp on the ALL200, ALL300 and ALL1000 and draws 2.5 amps on the ALL700.
2. Wire the light switch in the square box with the 110V light switch leg. The 12 gauge wiring in the square box is for the lights. A two circuit light package will require two hot leads and one neutral.
3. If using a dimmer switch, wire it in line with the light switch leg. Any dimmer can be used with the light lift as long as the motor feed is kept separate from the light switch leg.

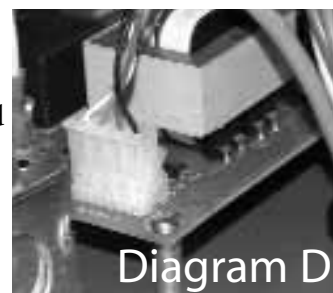
IMPORTANT: *Keep the neutral wires separate in the square box.*

Diagram C



STEP 5-STANDARD INSTALLATION

1. Make sure there is tension on the winch cable. The five pound weight provided with the lift is sufficient for this test.
2. Remove the paper tape from the winch. This tape was applied to keep the winch cable neat on the winch during manufacturing and shipping.
3. Make sure the cable is not kinked or coming off the side of the winch spool.
4. Turn on motor switch in the square box on the front of the lift.
5. Remove the low voltage control wire from the front of the control board. Use a jumper wire on the exposed pins to test the light lift in both directions. Jumper between the COM and DOWN pins to test the down direction and COM and UP pins to test the up direction. See diagram D.
6. Proceed to STEP 6 if the light lift runs in both directions. If not, refer to the troubleshooting section of the owner's manual on page 37 and 38.



STEP 6-STANDARD INSTALLATION

1. After testing the light lift, plug the low voltage control wire back onto the control board and reattach the light lift's cover.
2. Run the 50' low voltage control wire to a single gang box for the Keyswitch or optional SmartLift Controller. This can be on the floor level or on a landing. The chandelier must be visible from this location.
3. If a Keyswitch is being used, attach it to the cover plate using the supplied nut. Plug the Keyswitch or SmartLift Controller to the control wire that was pulled through the single gang box. Use the supplied cover plate screws to attach Keyswitch or SmartLift Controller to the gang box.
4. If using a Keyswitch, test the light lift in both directions. First turn the key to the right to run down a few inches. Then turn left to run up until the light lift turns itself off at the ceiling. Allow 2 seconds after operating the light lift in one direction before operating in the other.
5. If using a SmartLift Controller, see the SmartLift Controller Guide to run the light lift to the HOME POSITION. See page 7.

IMPORTANT: If the light lift installation takes place before the ceiling has been painted, leave the light lift in the "UP" position. This will prevent paint from getting on the top contact plate. A painted contact plate will not allow the chandelier to light.

STEP 7-STANDARD INSTALLATION

1. Using either the Keyswitch or the SmartLift Controller, run the light lift down to a desired elevation to hang the chandelier. Remember, if a SmartLift Controller is being used, the controller must be enabled before running the light lift. See the SmartLift Controller Guide in the owner's manual on page 7.

2. Remove the temporary five pound weight from the fixture coupler. Hold the winch cable to keep tension at all times. Do not operate the light lift without the chandelier or the temporary five pound weight attached.
3. Thread the screw collar loop that was supplied with the chandelier to the fixture coupler. If using a stem hung chandelier, simply thread the stem into the fixture coupler. For the ALL200 and ALL300, a 1/4 x 1/4 IPS fixture coupler is attached to the bottom contact plate. If a 1/4 x 3/8 IPS fixture coupler is needed, one is present in the parts bag. For the ALL700 and ALL1000, a 3/8 x 3/8 IPS fixture coupler is attached to the bottom contact plate. If a 3/8 x 1/2 IPS fixture coupler is needed, one is present in the parts bag.
4. Attach the chandelier's canopy to the screw collar loop using screw collar rings on both top and bottom. An extra screw collar ring is supplied in the parts bag.
5. Adjust the chandelier's chain to the desired length and attach it to the screw collar loop.
6. The top of the canopy should be just below the edge of the bottom contact plate. For shallow canopies, it may be necessary to shorten the nipple that attaches the screw collar loop to the fixture coupler. It maybe necessary to adjust the elevation of the ceiling box to flush the canopy to the ceiling. Use the set screw on the conduit coupler to adjust elevation. Also, a ceiling medallion can be used to build in more depth.
7. Once the canopy orientation is finalized, loosen the bottom screw collar ring.
8. Run the chandelier's wires up through the screw collar ring, canopy, and screw collar loop. Pull them through the holes in the fixture coupler and wire nut them to the wires on the bottom contact plate. Wire the chandelier's hot wire to the black wire, the neutral wire to the white wire, and the ground wire to the green wire.
9. If the chandelier is wired for two circuits, attach the remaining hot wire to the red wire.
10. Replace the canopy and rethread the bottom screw collar ring to hold the canopy in place.
11. Once everything is set in place, use the 3/32" Allen wrench to tighten the set screws on the fixture coupler. These set screws have thread lock already applied at the factory.

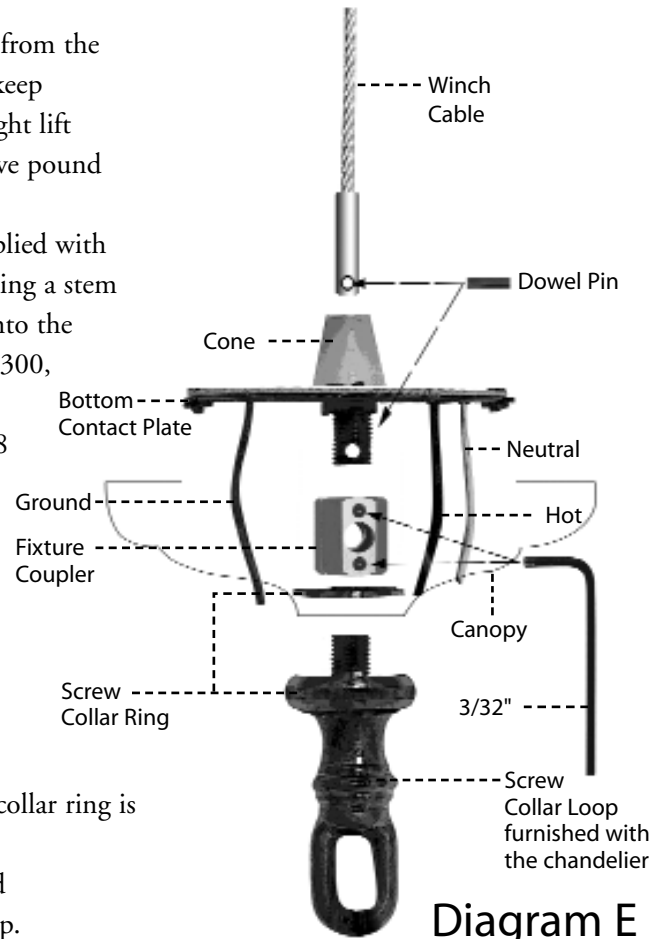


Diagram E



12. Once the set screws are tightened, apply the supplied thread lock to all of the fittings from the bottom contact plate to the screw collar loop.

IMPORTANT: Some screw collar loops are made out of weak materials and not designed to hold substantial amounts of weight. If the screw collar loop supplied with the chandelier is not used, make sure the one used is suitable.

IMPORTANT: Make sure the canopy will not touch the ceiling before the contact plates join together.

STEP 8-STANDARD INSTALLATION

1. Run the chandelier to the ceiling and enjoy!
2. Take comfort in the fact that when a bulb is out or the chandelier needs a little cleaning, just lower it using the Aladdin Light Lift.

SPECIAL SITUATIONS: STANDARD INSTALLATION

Special situations may come up during the light lift installation. The following instructions show some of these situations and how to handle them.

A. DOWEL PIN, WINCH CABLE, BOTTOM CONTACT PLATE ASSEMBLY

Occasionally, a chandelier may hang in line with a ceiling joist, or the conduit assembly must be lengthened or shorted. This requires removing and reinstalling the temporary five pound weight, fixture coupler, bottom contact plate assembly, ceiling box, and conduit assembly from the end of the winch cable. To do this, the dowel pin must be removed from the end of the cable and bottom contact plate assembly.

The following directions explain how to do so safely:

1. Remove the temporary five pound weight from the fixture coupler.
2. Remove the fixture coupler from the nipple on the bottom contact plate.
3. A small dowel pin holds the end of the winch cable to the nipple on the bottom contact plate.
4. Remove the dowel pin to release the bottom contact plate, ceiling box, and conduit assembly. Make sure the large (tapered) end of the dowel pin comes out first.
5. If the light lift is being installed where the chandelier is hanging inline with a ceiling joist, see SPECIAL SITUATIONS: STANDARD INSTALLATION 'B.'

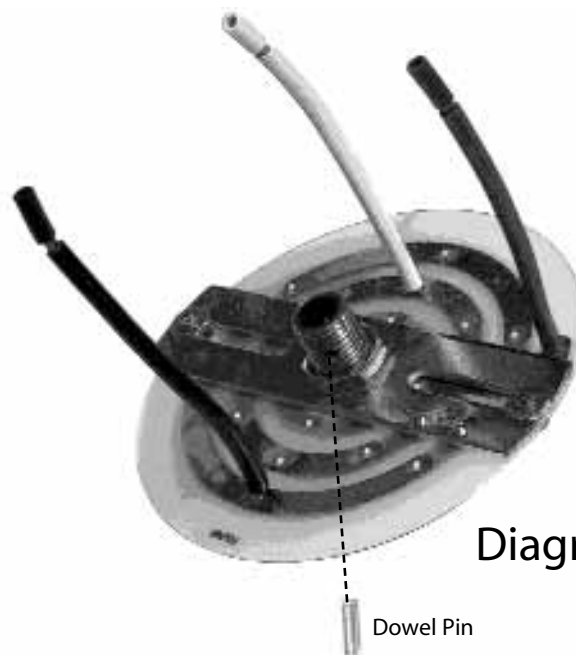


Diagram F

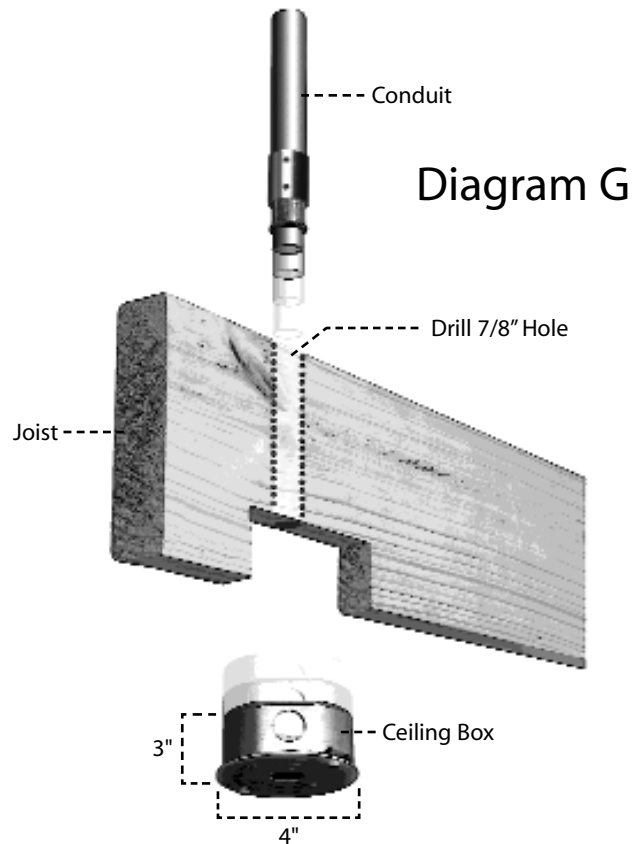
6. If a light lift is being installed where the conduit assembly must be extended or shortened, see SPECIAL SITUATIONS-STANDARD INSTALLATION 'C.'
7. Once completing either SPECIAL SITUATIONS: STANDARD INSTALLATION 'B' and/or 'C,' reinstall the conduit assembly, ceiling box, bottom contact plate assembly, fixture coupler, and temporary five pound weight.
8. Make sure the dowel pin is inserted with the small end (non-tapered) first and is flush with both sides of the nipple. Thread the fixture coupler over the dowel pin.

IMPORTANT: *If the dowel pin is lost during this process, DO NOT attempt to replace it with anything but another dowel pin from Aladdin Light Lift. (877) 287-4601*

B. CHANDELIER INLINE WITH A CEILING JOIST

Occasionally a light lift must be installed with the chandelier hanging in line with a ceiling joist. The following directions explain how to make this work with an Aladdin Light Lift:

1. Drill a 7/8" hole and notch out the bottom of the joist 3" for the ceiling box.
2. Run the smaller end of the conduit through the hole.
3. Frame up the light lift to account for the added height of the extended conduit.
4. To make this installation work, the dowel pin must be removed from the bottom contact plate. See SPECIAL SITUATIONS: STANDARD INSTALLATION 'A' for removing and replacing the dowel pin in the bottom contact plate.



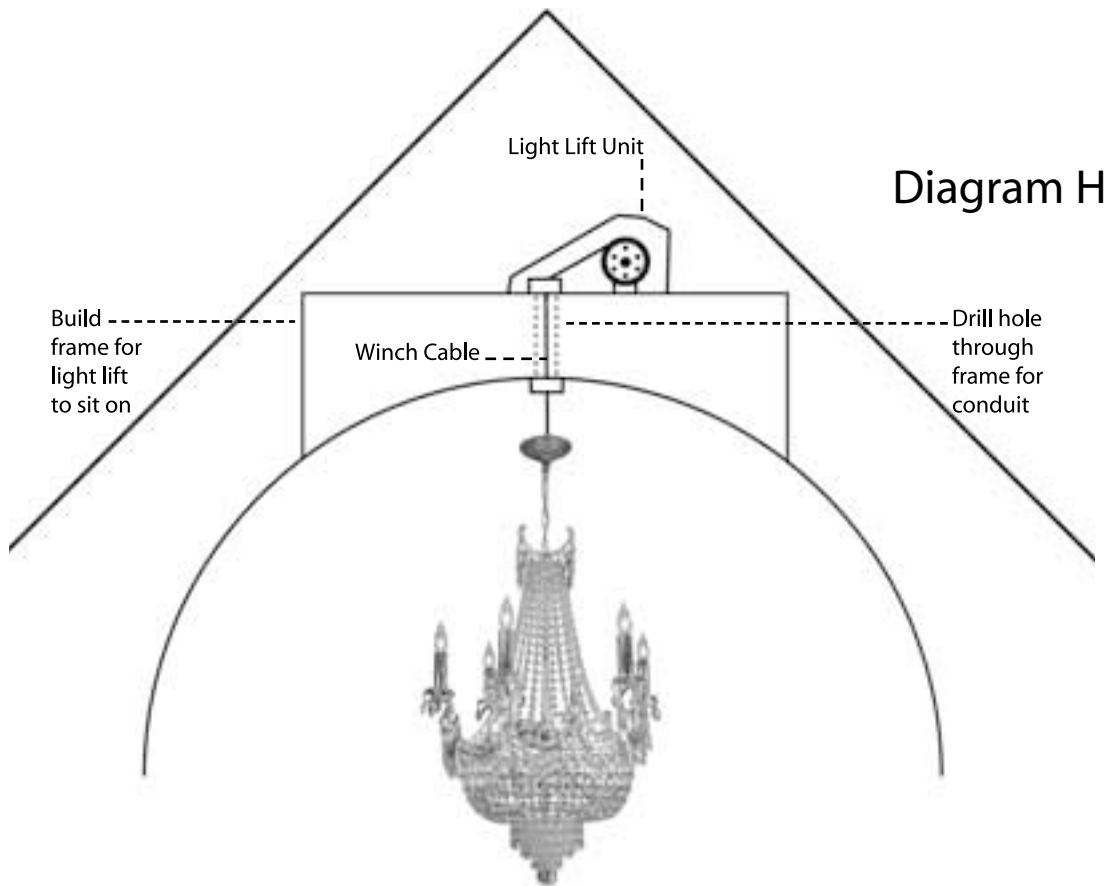
C. LENGTHEN OR SHORTEN THE CONDUIT ASSEMBLY

The light lift comes standard with a conduit assembly that adjusts from 9 to 14 inches. This measurement is from the bottom of the chassis plate to the bottom of the ceiling box. Ceiling joists or another situation may require extending or shortening the conduit assembly. The following directions explain how to do so:

1. Measure the required length for the conduit assembly.
2. See SPECIAL SITUATIONS-STANDARD INSTALLATION 'A' and remove the temporary five pound weight, fixture coupler, bottom contact plate assembly, ceiling box, and conduit assembly from the end of the winch cable.
3. Replace the included conduit pieces with the newly cut conduit pieces but use the original conduit coupler.
4. See SPECIAL SITUATIONS-STANDARD INSTALLATION 'A' for reassembly.



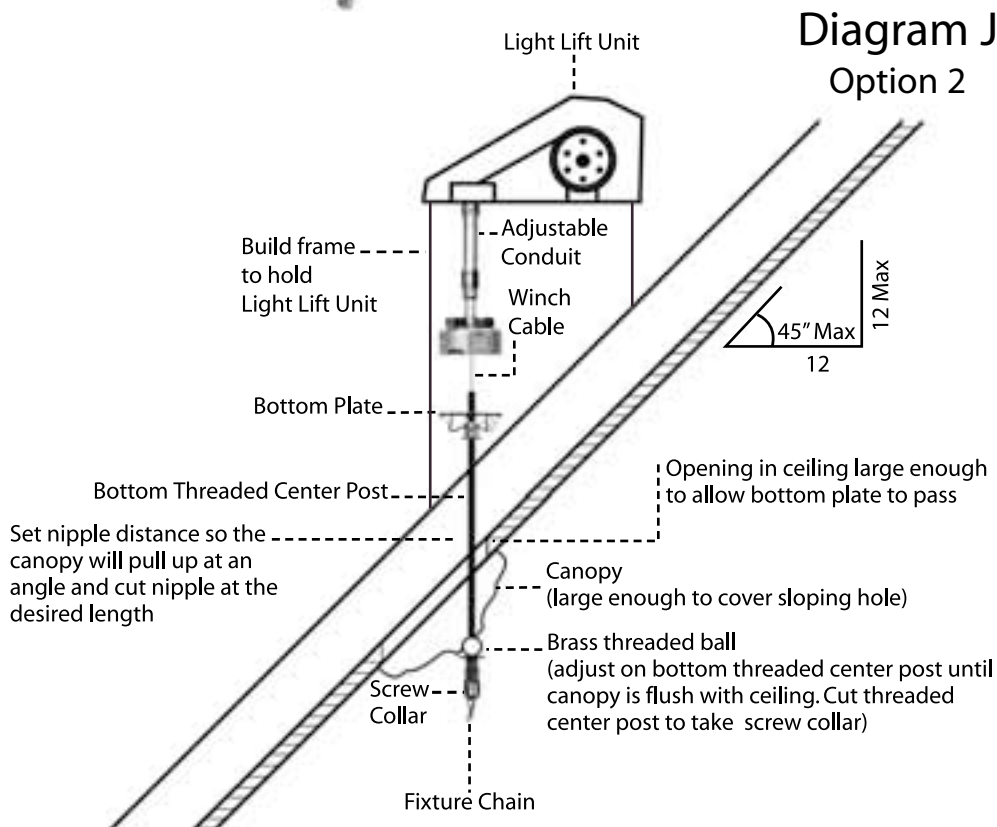
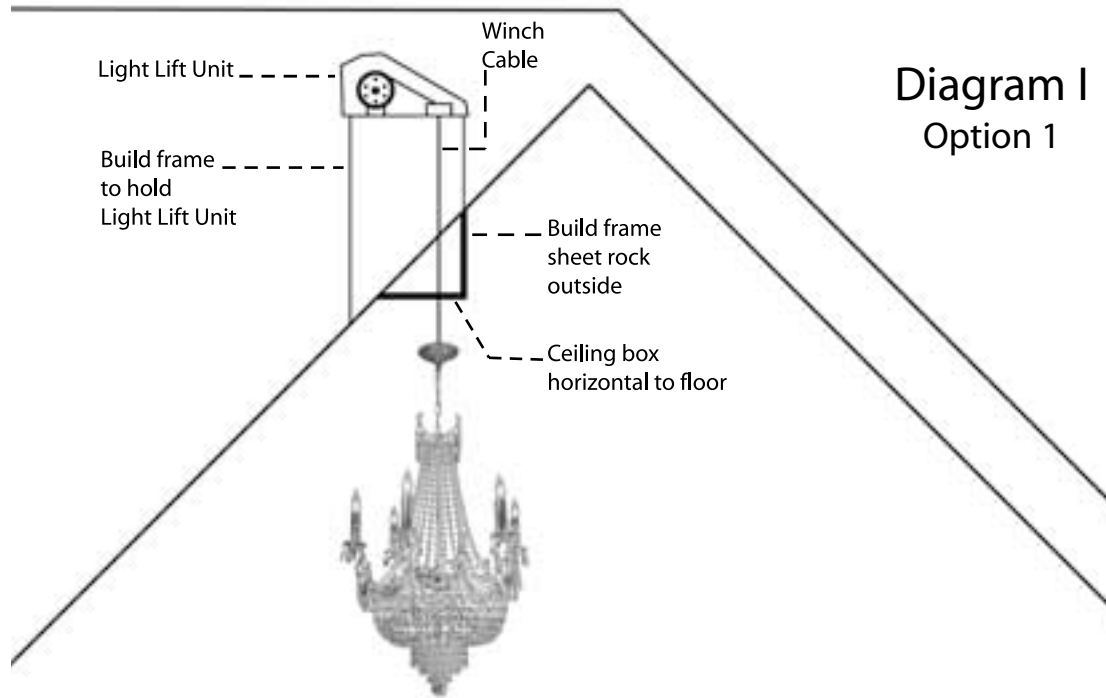
SPECIAL INSTALLATIONS: DOME CEILINGS



Dome Ceilings

Build frame for light lift to sit on, drill a hole through the center of the frame for the conduit to go through. Attach the ceiling box and wiring from below. See SPECIAL SITUATIONS 'C' for further assistance.

SPECIAL INSTALLATIONS: SLOPED CEILINGS



Sloped Ceilings

If the chandelier is to hang from sloped ceiling:

Option 1 - build a frame above ceiling in attic to hold the light lift, build a frame around the ceiling box so it will sit horizontal with the floor. Sheetrock outside the frame so the light lift is level.

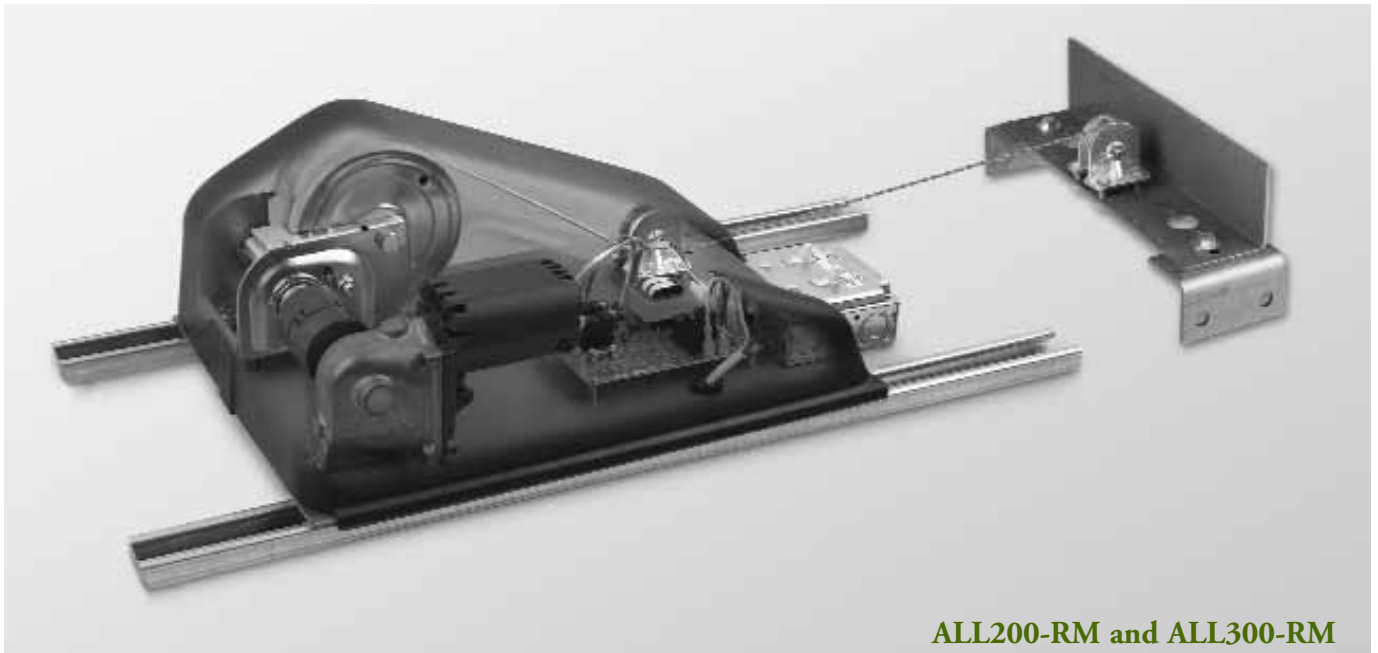
Option 2 - Order a sloped ceiling adapter. If there is not enough clearance above the ceiling to mount the light lift, you will need to order the remote mounting option.

INSTALLATION GUIDE: REMOTE INSTALLATION

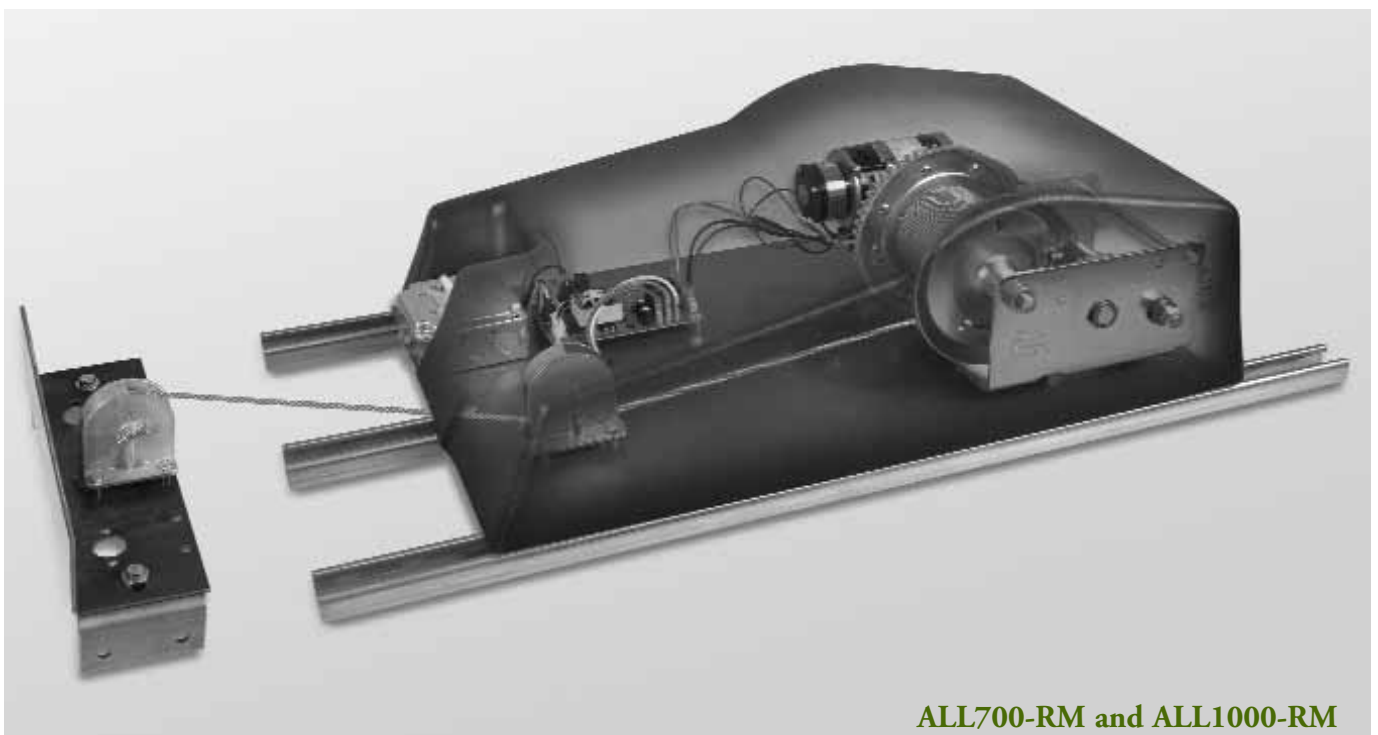
If this installation guide is needed in Spanish or French, contact Aladdin Light Lift at (877) 287-4601.

Always disconnect the power when servicing or performing maintenance to the light lift. Electricity can kill!

This installation guide is for REMOTE INSTALLATION Aladdin Light Lifts. Remote mounting options are used anytime the motor can not mount directly above the chandelier. If the light lift system does not contain the remote mounting option refer to the STANDARD INSTALLATION guide (page 9).



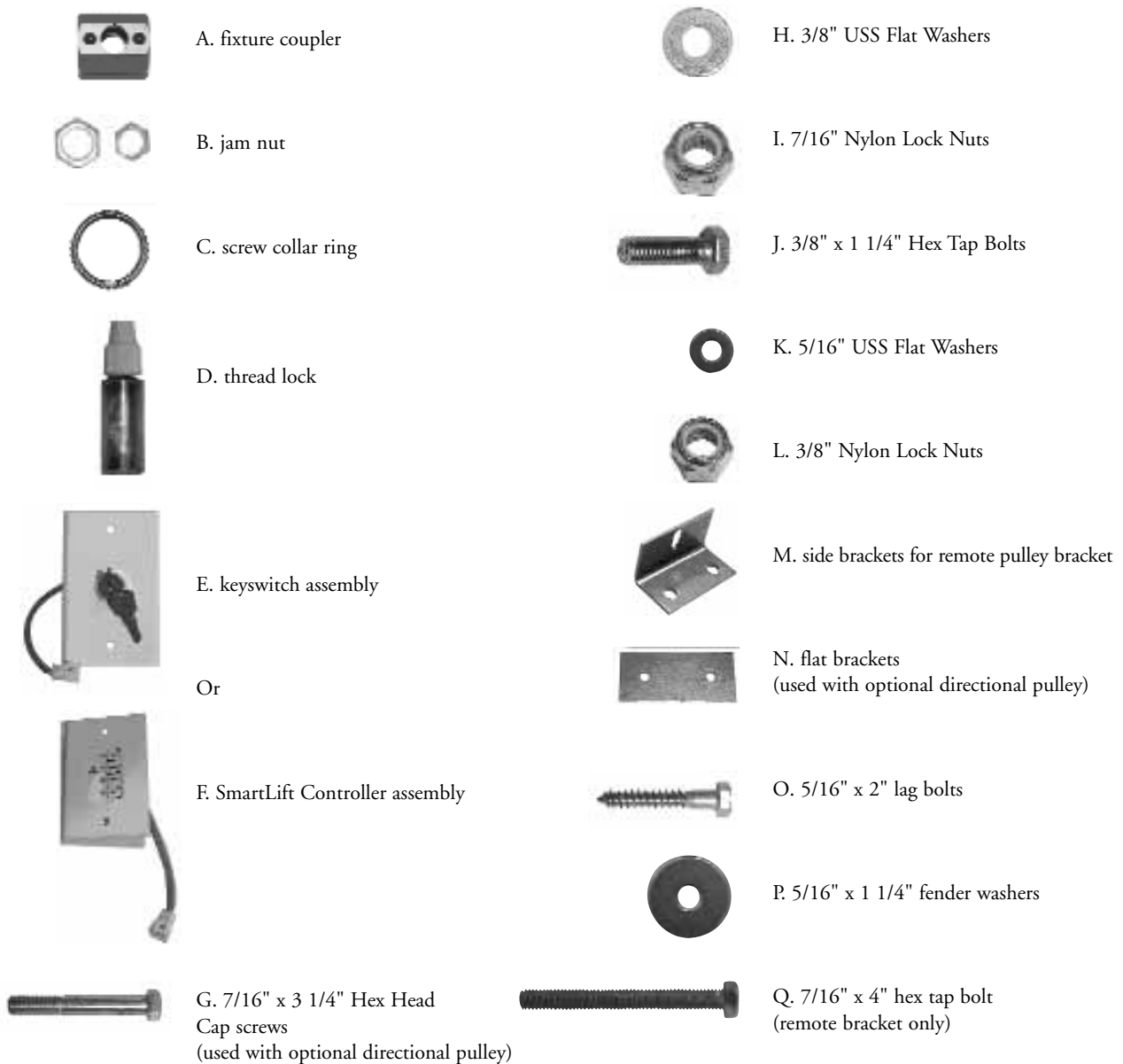
ALL200-RM and ALL300-RM



ALL700-RM and ALL1000-RM

GETTING STARTED:

1. Details regarding light wattage capacity, weight capacity, number of directional pulleys, and other options are marked on the inside cover of the owner's manual.
2. Study the 'Warnings and Safety Precautions page' in the owner's manual.
3. Read the installation instructions, study the drawings carefully, and study each part and step.
4. Make sure all needed parts are present. The remote light lift consists of channel strut, chassis plate, winch, motor, control board, pulley, winch cable, ceiling box, bottom contact plate, temporary weight, conduit assembly, fixture coupler, remote pulley bracket, and wiring. Directional pulley brackets and hardware will only be present if ordered in addition to the remote mounting option. The following items should also be included in the remote parts box, parts bag, and Keyswitch/SmartLift Controller bag:



INSTALLATION TIPS: REMOTE

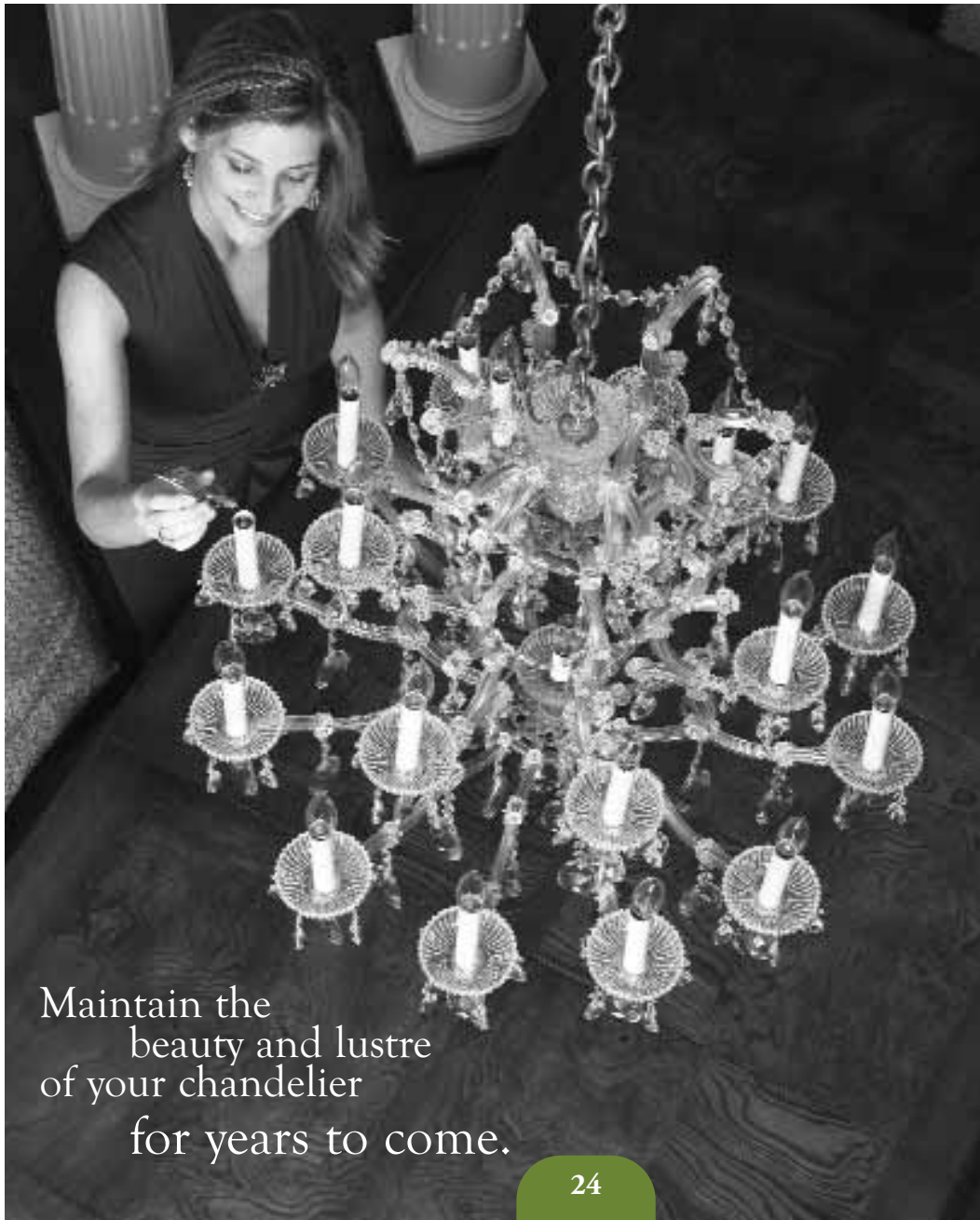
- a. The remote pulley bracket assembly, directional pulleys, and motor pulley must be installed on the same plane. The winch cable must enter and exit the center of the pulley's groove. Not doing so can cause binding and undue stress on the cable, motor, and winch. Aladdin Light Lift does not recommend making lateral direction changes with the cable.
- b. Wire the lights and motor on separate circuits. The motor draws minimal amperage so that a dedicated circuit is not necessary, but should be separate from the lights.
- c. The winch cable must be centered in the ceiling box. Check the cable's position after chandelier is installed.
- d. Never operate the light lift without tension on the winch cable.
- e. Use the permanent screw collar loop furnished with the chandelier.
- f. Light lifts being installed in commercial application must use Greenfield for the line voltage wiring. Remove the plastic cover if using in an air handling space.
- g. Aladdin Light Lift motors must be installed in accessible locations. Remote mounting options can be used for installations where the motor can not mount directly above the chandelier.
- h. Never install the light lift in ceiling heights that exceed the winch cable length. The cable length is marked on the inside cover of the owner's manual.
- i. Never fully extend the winch cable from the light lift. If the light lift is continuously run down, the cable can fully extend and start back up again reversing itself on the winch. This will cause the disc brake to be inoperative and possibly cause the fixture to fall.
- j. There are a few ways to tell if the winch cable is reversed. The ALL200-RM and ALL300-RM leaves the factory with the cable rolling off of the top of the winch. The ALL700-RM and ALL1000-RM leaves the factory with the cable rolling off of the bottom of the winch. If the cable is opposite of this, the cable is reversed. Also, if the cable is reversed, the light lift will not shut down properly when the chandelier gets to the ceiling. If the light lift doesn't make a consistent clicking or ratcheting sound while running up, the cable is reversed. Contact Aladdin Light Lift immediately if any of these situations occur.
- k. If the light lift is not operating properly, have a licensed electrician follow the troubleshooting guide found in the owner's manual. Usually, the problem can be fixed by following the troubleshooting guide. If not, have an electrician contact technical support from the light lift in the attic with two jumper wires and a volt meter. Usually, the problem can be fixed over the phone. The toll free tech support line is (877) 287-4601.

OPERATION TIPS: REMOTE

- a. Turn the chandelier off at the light switch when operating an Aladdin Light Lift.
- b. If the Keyswitch is used, hold the key to the right to run the light lift down. Let go of the key when a desired elevation is reached. Turn and hold the key to the left to run the light lift up. If installed correctly, the light lift will shut off automatically when it reaches the ceiling. At this time it is safe to turn the chandelier back on.
- c. If using a SmartLift Controller, refer to the SmartLift Controller Guide in the owner's manual. See page 7.
- d. Never fully extend the winch cable from the light lift. If the light lift is continuously run down, the cable can fully extend and start back up again reversing itself on the winch.

This will cause the disc brake to be inoperative and possibly cause the fixture to fall. The cable length is marked on the inside of the owner's manual.

- e. There are a few ways to tell if the winch cable is reversed. The ALL200-RM and ALL300-RM leaves from the factory with the cable rolling off of the top of the winch. The ALL700-RM and ALL1000-RM leaves from the factory with the cable rolling off of the bottom of the winch. If the cable is opposite of this, the cable is reversed. Also, if the cable is reversed, the light lift will not shut down properly when the chandelier gets to the ceiling. If the light lift doesn't make a consistent clicking or ratcheting sound while running up, the cable is reversed. Contact Aladdin Light Lift immediately if any of these situations occur.
- f. If the light lift is not operating properly, have a licensed electrician follow the troubleshooting guide found in the owner's manual. Usually, the problem can be fixed by following the troubleshooting guide. If not, have an electrician contact us from the light lift in the attic with two jumper wires and a volt meter. Usually, the problem can be fixed over the phone. The toll free tech support line is (877) 287-4601.

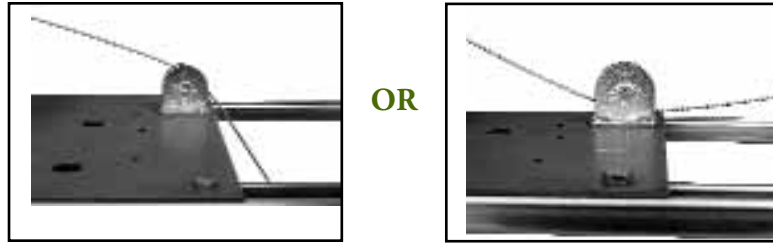


Maintain the
beauty and lustre
of your chandelier
for years to come.

STEP 1-REMOTE INSTALLATION

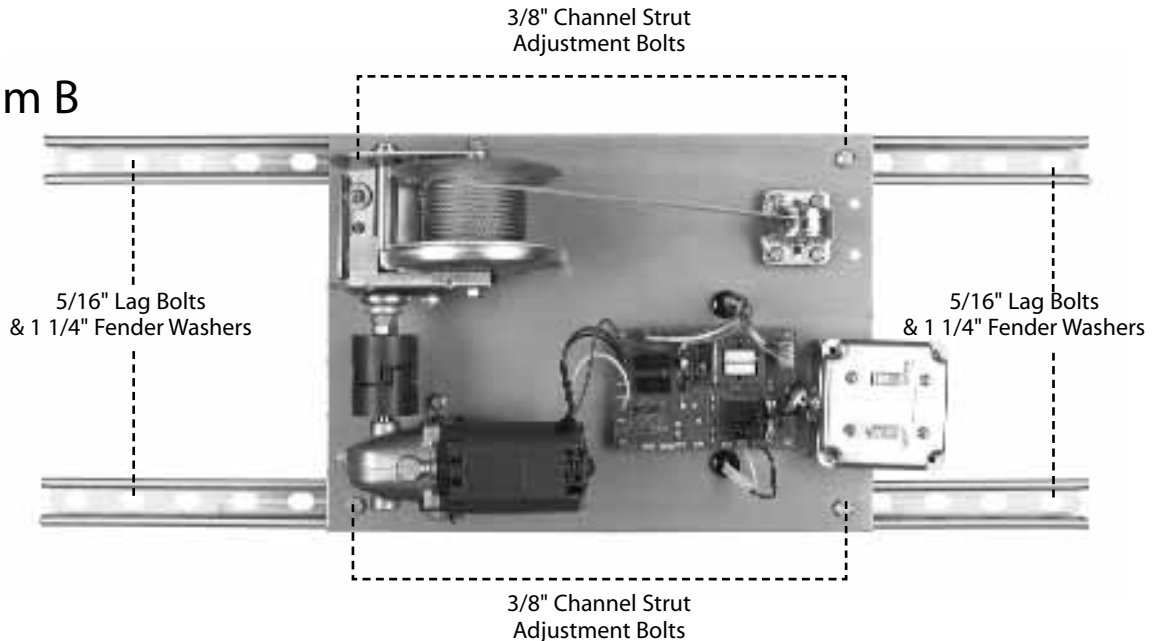
1. Take the light lift out of the box and remove the cover.
2. Determine where the light lift motor will be mounted in relation to the remote bracket pulley assembly above the chandelier or the directional pulleys.
3. If either the remote bracket pulley assembly or directional pulleys are lower in elevation than the light lift pulley, reposition the cable over the top of the light lift pulley. If the remote bracket pulley assembly or directional pulleys are level or higher in elevation than the light lift pulley, leave the winch cable position on the bottom of the light lift pulley. To change the cable position, remove the retaining clip from the pulley pin, remove the pulley pin, and remove the pulley wheel. Reinstall pulley wheel with cable on desired side.

Diagram K



4. Drill 7/32" holes and attach the light lift channel struts to the ceiling joists using the 5/16" x 2" lag bolts and 5/16" x 1 1/4" fender washers.
5. The light lift has bolts that hold it to the channel strut. These bolts may be loosened for channel strut adjustments. Retighten the bolts if this adjustment was made.

Diagram B



IMPORTANT: It is not necessary to mount the remote light lift motor level. If necessary, the light lift motor may be mounted on an angle, vertically, or upside down.

Diagram L

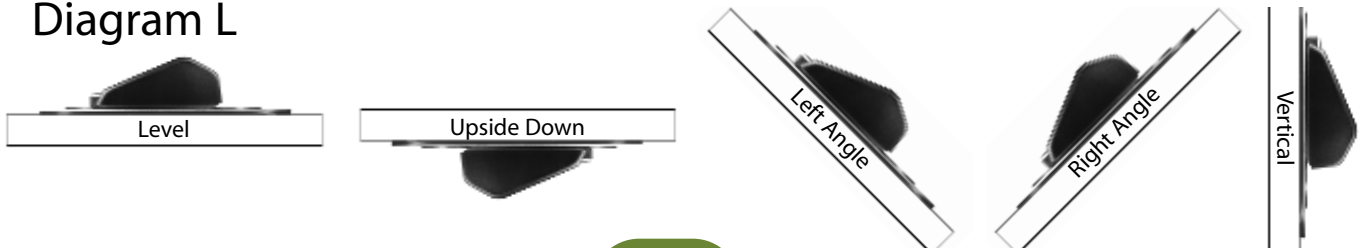


Diagram M

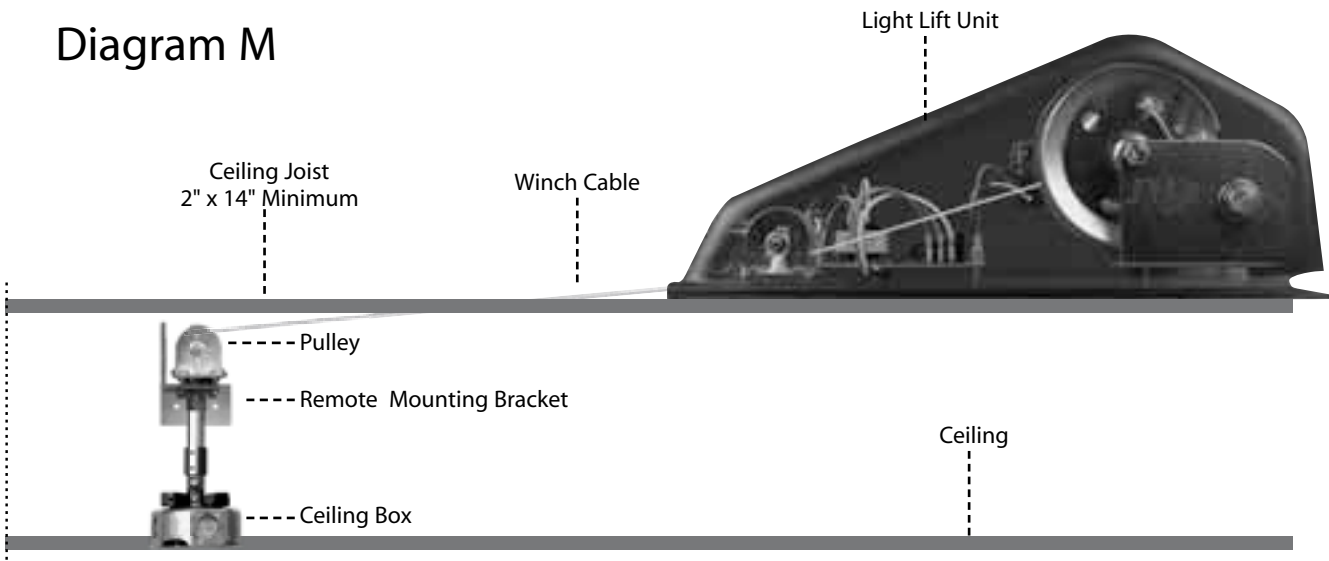


Diagram N

ALL200-RM and ALL300-RM

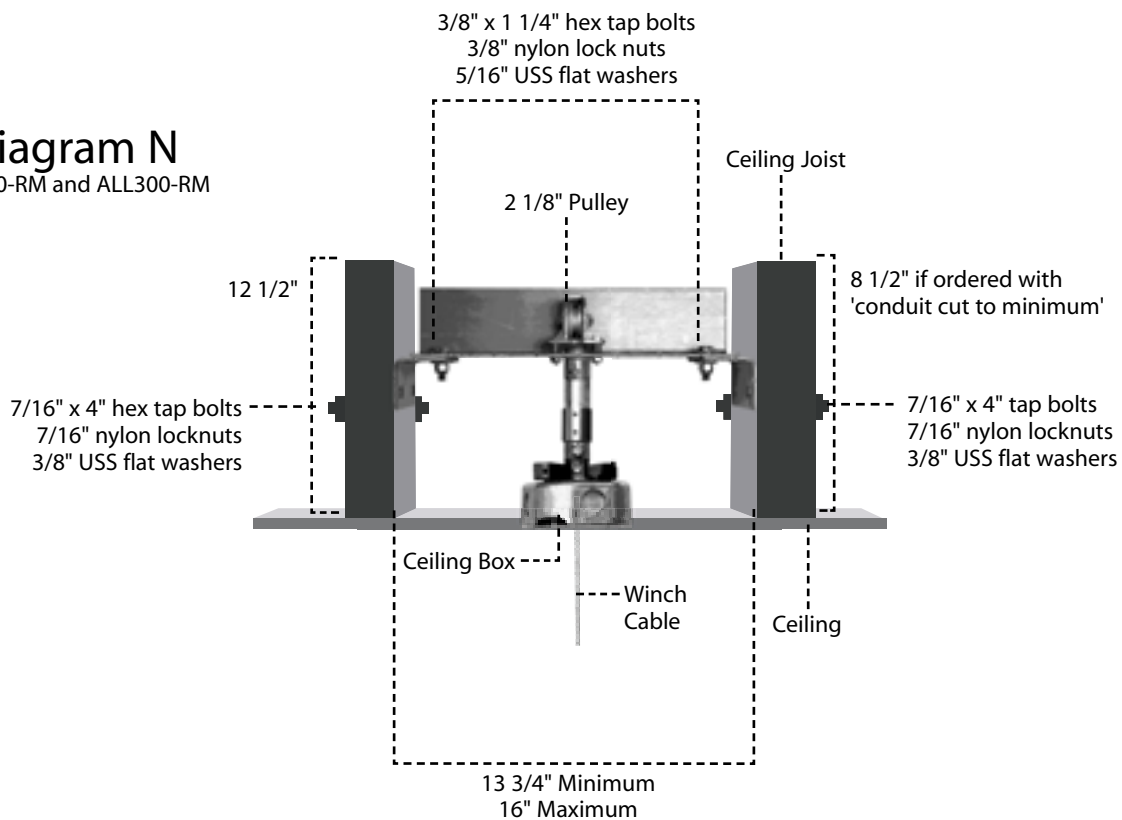
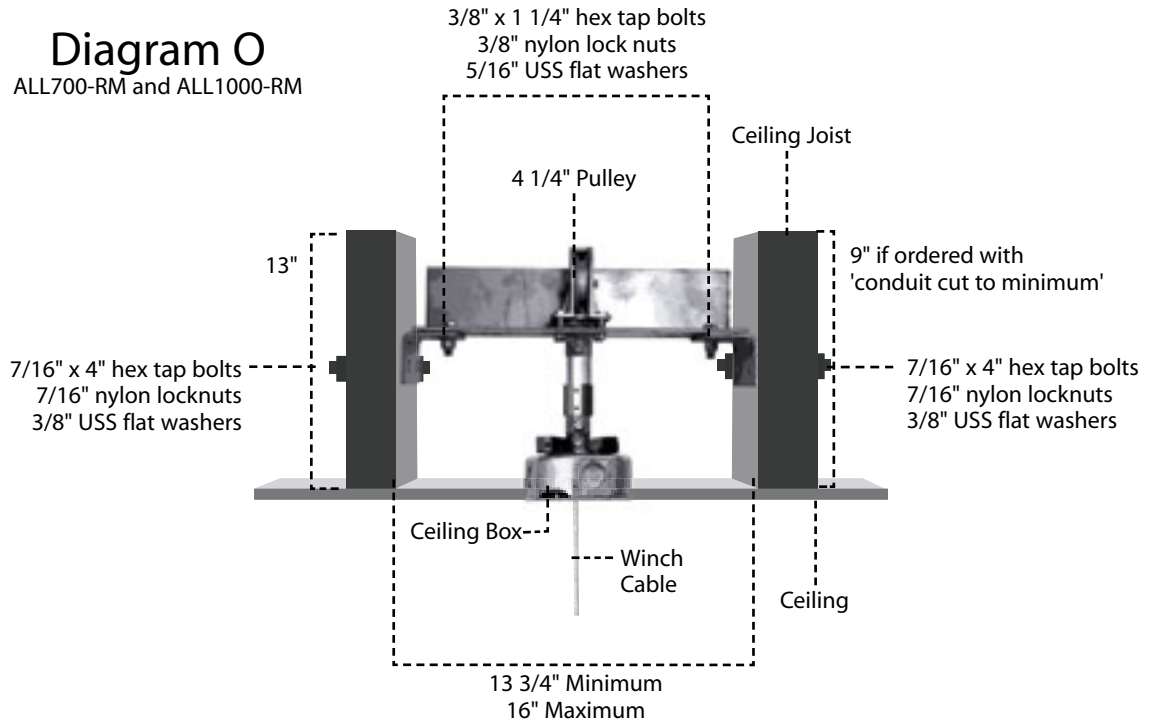


Diagram O

ALL700-RM and ALL1000-RM



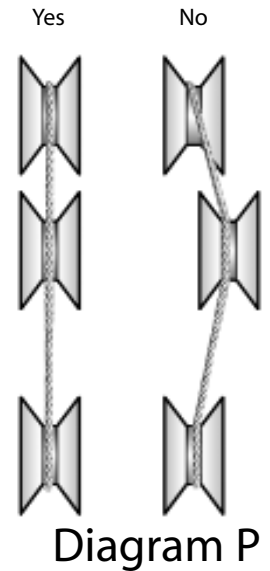
STEP 2-REMOTE INSTALLATION

1. If an existing ceiling box is present, it must be removed. Only use the ceiling box provided with the light lift.
2. Cut a 4 1/2" hole in the ceiling for the ceiling box. The hole may need to be enlarged if an existing ceiling box was removed.
3. Attach the top of the conduit assembly into the conduit connector and tighten the set screw. The connector is underneath the pulley on the remote bracket pulley assembly.
4. Attach the bottom of the conduit assembly to the ceiling box and tighten the set screw.
5. Mount the side brackets to the remote bracket pulley assembly using the 3/8" bolts, 3/8" nylon lock nuts, and the 5/16" USS flat washers.
6. Mount the remote bracket pulley assembly to the joists directly above where the chandelier will hang. Drill 1/2" holes and use the 7/16" x 4" hex tap bolts, 7/16" nylon lock nuts and 3/8" USS flat washers. The remote bracket pulley assembly must be mounted level. See SPECIAL SITUATION: REMOTE INSTALLATION 'D' if there is not enough cable present to place the remote bracket pulley assembly and directional pulleys.
7. Just because the remote bracket pulley assembly is mounted level, does not mean the winch cable is hanging through the center of the ceiling box. From the floor level, check the cable's position in the ceiling box. It should hang through the center of the top contact plate which is attached to the ceiling box. If the cable is not centered, the light lift will not shut off properly when the chandelier reaches the ceiling. Use flat washers to shim one side or the other of the large bracket until the cable hangs through the center of the ceiling box. Check cable position again, later, when chandelier is hung.

IMPORTANT: The remote bracket pulley assembly and motor pulley must be installed on the same plane. The winch cable must enter and exit the center of the pulley's groove. Not doing so can cause binding and undue stress on the cable, motor, and winch. Aladdin does not recommend lateral changes in the cable.

STEP 3-REMOTE INSTALLATION

1. Loosen the set screw on the 1/2" end of the conduit coupler using the 3/32" Allen wrench. Adjust the ceiling box up or down and retighten the set screw to make it flush with the ceiling.
This is a good starting point before hanging the chandelier on the light lift.
Note: The conduit assembly is made up of a 3/4" and 1/2" conduit held together by a conduit coupler. The two pieces of conduit are telescopic.
2. If the conduit is either too long or too short after adjusting, see SPECIAL SITUATIONS: REMOTE INSTALLATION 'C.'
3. From the floor level, check the winch cable's position in the ceiling box. It should be plumb through the center of the top contact plate which is attached to the ceiling box. If the cable is not centered, the light lift will not shut off properly when the chandelier reaches the ceiling. Remount the remote bracket pulley assembly until perfectly level. Check position again, later, when chandelier is hung.

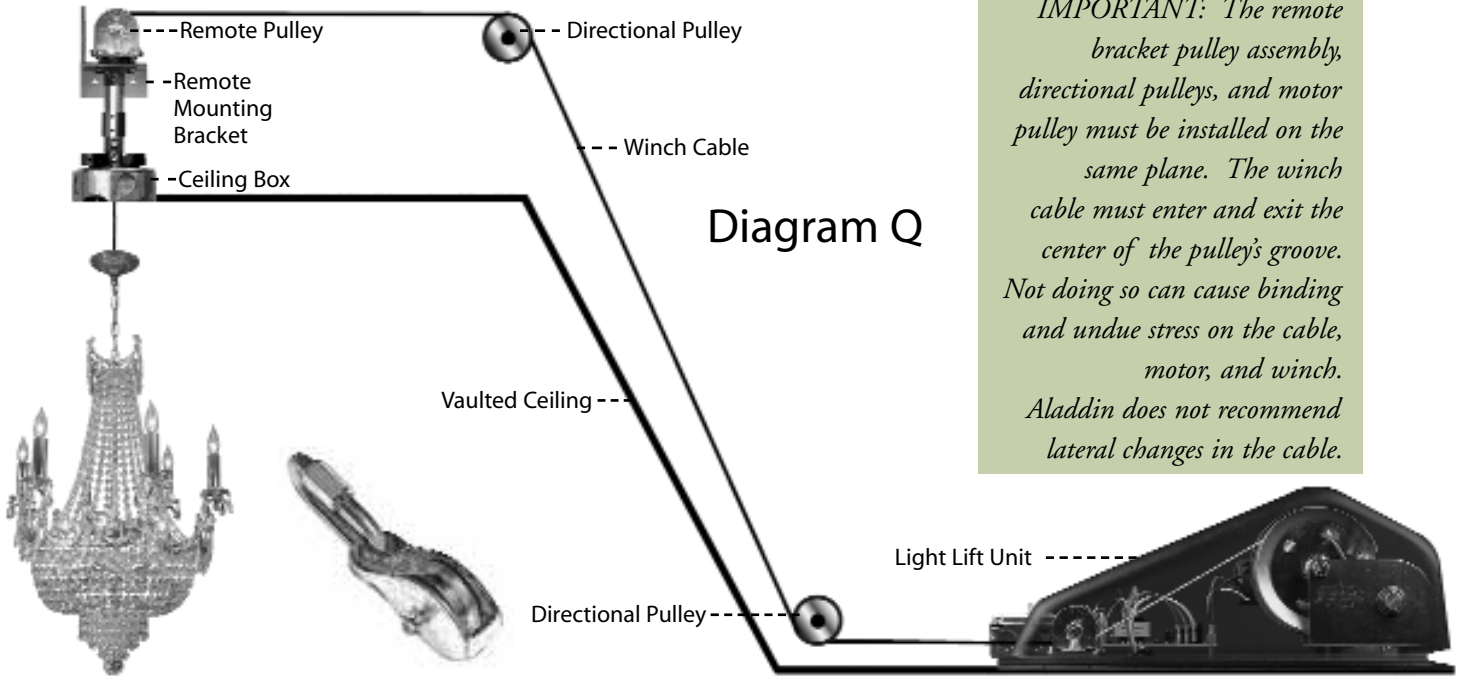


IMPORTANT: The ceiling box should not touch the inside of the 4 1/2" hole in the ceiling. The ceiling box does not support any weight of the chandelier. The tension is on the winch cable. The conduit assembly can be adjusted later to accommodate for different canopy depths. The set screw in the conduit coupler must be secure for the automatic shutoff system to work. Use the 3/32" Allen wrench for adjustments.

STEP 4-REMOTE INSTALLATION

Directional pulleys are needed when there is not a straight shot in the winch cable from the light lift motor to the remote bracket pulley assembly. STEP 4 is needed for the mounting of directional pulleys. If no directional pulleys are present, skip to STEP 5. If directional pulleys are needed but not present, order directional pulleys through an Aladdin Light Lift dealer and install them on the cable. Only use pulleys from Aladdin Light Lift. Do not use pulleys from any other pulley manufacturer. For directional pulley addition in the field, see SPECIAL SITUATIONS: REMOTE INSTALLATION 'E' (page 34).

1. Using the flat brackets and 7/16" bolts, washers, and nuts, install directional pulleys where needed. Drill 1/2" holes and use the 7/16" x 3 1/4" bolts, 7/16" nylon lock nuts and 3/8" USS flat washers. If necessary, block in some additional wood for the brackets.
2. Use as many directional pulleys as needed and make sure the winch cable is free of any obstructions, rubbing or binding.



IMPORTANT: The remote bracket pulley assembly, directional pulleys, and motor pulley must be installed on the same plane. The winch cable must enter and exit the center of the pulley's groove. Not doing so can cause binding and undue stress on the cable, motor, and winch. Aladdin does not recommend lateral changes in the cable.

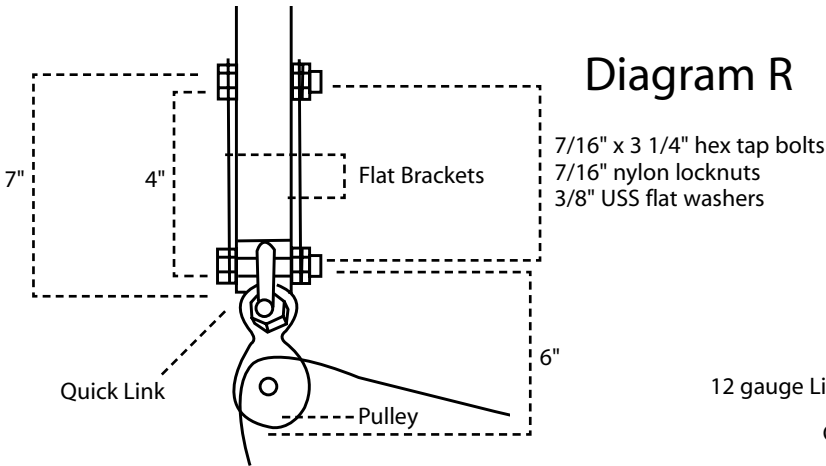
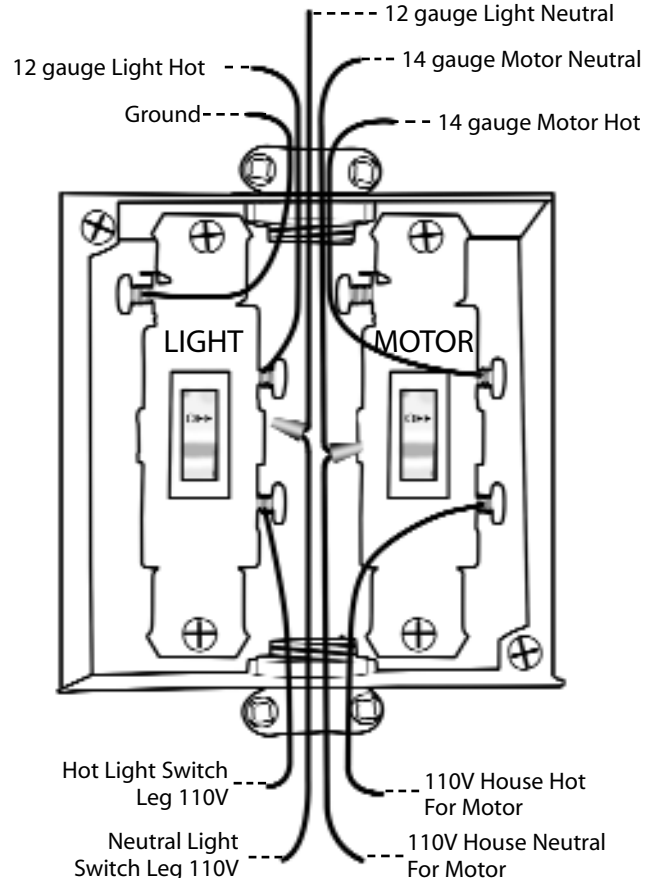


Diagram R

Diagram C

STEP 5-REMOTE INSTALLATION

1. Wire the motor switch in the square box with 110V house wiring. The 14 gauge wiring in the square box is for the motor. This circuit does not have to be dedicated but must be separate from the light switch leg. The motor draws 1 amp on the ALL200-RM, ALL300-RM, and ALL1000-RM. The ALL700-RM motor draws 2.5 amps.
2. Wire the light switch in the square box with the 110V light switch leg. The 12 gauge wiring in the square box is for the lights.
3. If using a dimmer switch, wire it in line

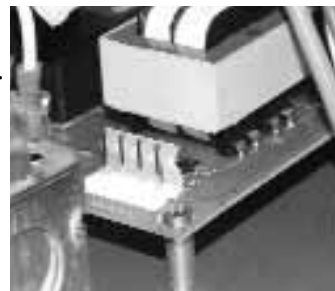
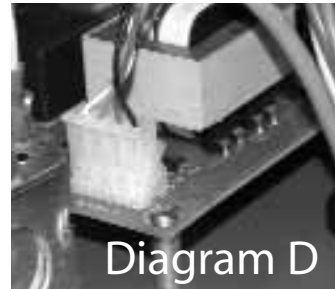


with the light switch leg. Any dimmer can be used with the light lift as long as the motor feed is kept separate from the light switch leg.

IMPORTANT: *Keep the neutral wires separate in the square box.*

STEP 6-REMOTE INSTALLATION

1. Make sure there is tension on the winch cable. The five pound weight provided with the lift is sufficient for this test.
2. Remove the paper tape from the winch. This tape was applied to keep the cable neat on the winch during manufacturing and shipping.
3. Make sure the winch cable is not kinked or coming off the side of the winch spool.
4. Turn on motor switch in the square box on the front of the lift.
5. Remove the low voltage control wire from the front of the control board. Use a jumper wire on the exposed pins to test the unit in both directions. Jumper between the COM and DOWN pins to test the down direction and COM and UP pins to test the up direction.
6. Proceed to STEP 7 if the light lift runs in both directions. If not, see the troubleshooting section of the owner's manual on page 37 and 38.



STEP 7-REMOTE INSTALLATION

1. After testing the light lift, plug the low voltage control wire back onto the control board and reattach the light lift's cover.
2. Run the 50' low voltage control wire to a single gang box for the keyswitch or optional SmartLift Controller. This can be on the floor level or on a landing. The chandelier must be visible from this location.
3. If a Keyswitch is being used, attach it to the cover plate using the supplied nut. Plug the Keyswitch or SmartLift Controller to the control wire that was pulled through the single gang box. Use the supplied cover plate screws to attach Keyswitch or SmartLift Controller to the gang box.
4. If using a Keyswitch, test the light lift in both directions. First turn right to run down for a few inches. Then turn left to run up until the light lift turns itself off at the ceiling.
5. If using a SmartLift Controller, see the SmartLift Controller Guide to run the light lift to the HOME POSITION.

IMPORTANT: *If installing the light lift before the ceiling has been painted, leave the light lift in the "UP" position. This will prevent paint from getting on the top contact plate. A painted contact plate will not allow the chandelier to light.*

STEP 8-REMOTE INSTALLATION

1. Using either the Keyswitch or the SmartLift Controller, run the light lift down to a desired elevation to hang the chandelier. Remember, if using the SmartLift Controller, you must enable the controller before running the light lift. See the SmartLift Controller Guide in the owner's manual.
2. Remove the temporary five pound weight from the fixture coupler. Hold the winch cable to keep tension at all times. Do not operate the light lift without the chandelier or the temporary five pound weight attached.
3. Thread the screw collar loop that was supplied with the chandelier to the fixture coupler. If hanging a stem hung chandelier, simply thread the stem into the fixture coupler. For the ALL200 and ALL300, a 1/4 x 1/4 IPS fixture coupler is attached to the bottom contact plate. If a 1/4 x 3/8 IPS fixture coupler is needed, one is present in the parts bag. For the ALL700 and ALL1000, a 3/8 x 3/8 IPS fixture coupler is attached to the bottom contact plate. If a 3/8 x 1/2 IPS fixture coupler is needed, one is present in the parts bag.
4. Attach the chandelier's canopy to the screw collar loop using screw collar rings on both top and bottom. An extra screw collar ring is supplied in the parts bag.
5. Adjust the chandelier's chain to the desired length and attach it to the screw collar loop.
6. The top of the canopy should be just below the edge of the bottom contact plate. For shallow canopies, it may be necessary to shorten the nipple that attaches the screw collar loop to the fixture coupler. If necessary adjust the elevation of the ceiling box to flush the canopy to the ceiling.

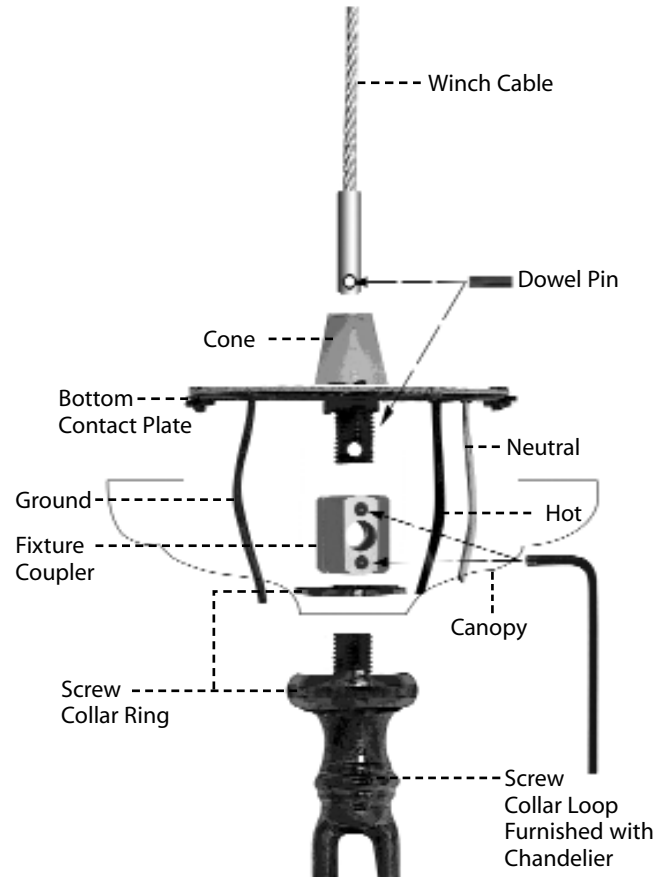


Diagram E



Use the set screw on the conduit coupler to adjust elevation. Also, a ceiling medallion can be used to build in more depth as well.

7. Once the canopy orientation is finalized, loosen the bottom screw collar ring.
8. Run the chandelier's wires up through the screw collar ring, canopy, and screw collar loop. Pull them through the holes in the fixture coupler and wire nut them to the wires on the bottom contact plate. Wire the chandelier's hot wire to the black wire, the neutral wire to the white wire, and the ground wire to the green wire.
9. Replace the canopy and rethread the bottom screw collar ring to hold the canopy in place.
10. Once everything is set in place, use the 3/32" Allen wrench to tighten the set screws on the fixture coupler. These set screws have thread lock already applied at the factory.
11. Once the set screws are tightened, apply the supplied thread lock to all of the fittings from the bottom contact plate to the screw collar loop.

IMPORTANT: Some screw collar loops are made out of weak materials and not designed to hold substantial amounts of weight. If the screw collar loop supplied with the chandelier is not used, make sure the one used is suitable.

IMPORTANT: Make sure the canopy will not touch the ceiling before the contact plates join together.

STEP 9-REMOTE INSTALLATION

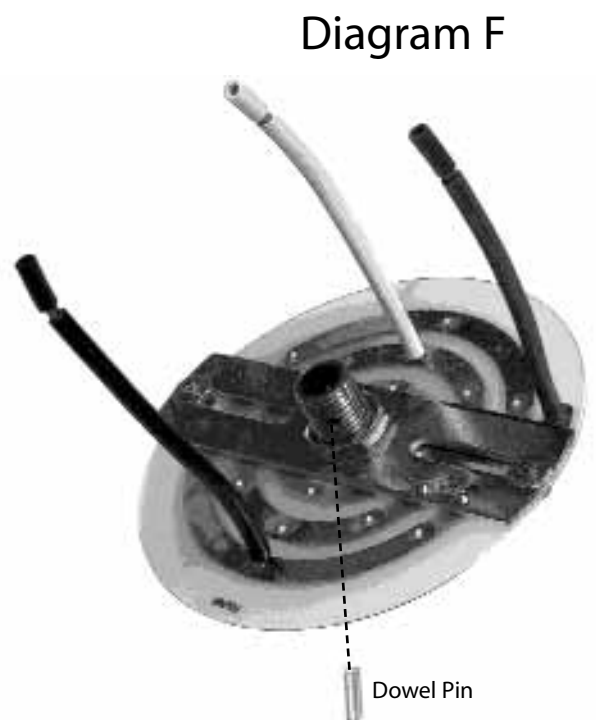
1. Run the chandelier to the ceiling and enjoy!
2. Take comfort in the fact that when a bulb is out or the chandelier needs a little cleaning, just lower it using the Aladdin Light Lift.

SPECIAL SITUATIONS: REMOTE INSTALLATION

Special situations may occur during the remote light lift installation. The following instructions show some of these situations and how to handle them.

A. DOWEL PIN, WINCH CABLE, BOTTOM CONTACT PLATE ASSEMBLY

Occasionally, a chandelier may hang in line with a ceiling joist, or the conduit assembly must be lengthened or shorted. For a remote installation, the winch cable may need to be extended for pulley mounting or running the cable through ceiling joists. This requires removing and reinstalling the temporary five pound weight, fixture coupler, bottom contact plate assembly, ceiling box, and conduit assembly, and remote bracket pulley assembly from the end of the cable. To do this, remove the



dowel pin from the end of the cable and bottom contact plate assembly. The following directions explain how to do so safely:

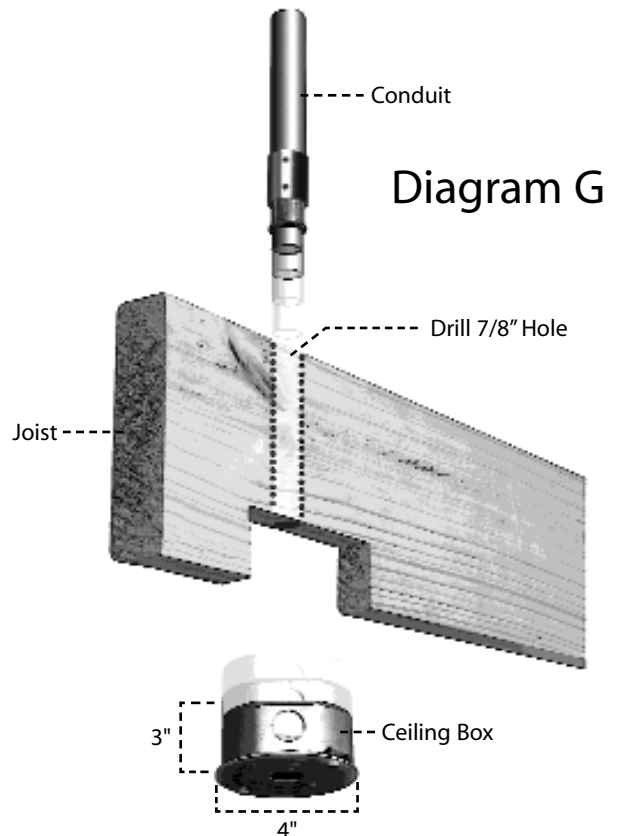
1. Remove the temporary five pound weight from the fixture coupler.
2. Remove the fixture coupler from the nipple on the bottom contact plate.
3. A small dowel pin holds the end of the winch cable to the nipple on the bottom contact plate.
4. Remove the dowel pin to release the bottom contact plate, ceiling box, and conduit assembly. Make sure the large (tapered) end of the dowel pin comes out first.
5. If installing a light lift where you are hanging a chandelier inline with a ceiling joist, see SPECIAL SITUATIONS: REMOTE INSTALLATION 'B.'
6. If installing a light lift where the conduit assembly must be extended or shortened, see SPECIAL SITUATIONS-REMOTE INSTALLATION 'C.'
7. Once completed either SPECIAL SITUATIONS: REMOTE INSTALLATION 'B' and/or 'C,' reinstall the remote bracket pulley assembly, conduit assembly, ceiling box, bottom contact plate assembly, fixture coupler, and temporary five pound weight.
8. Make sure the dowel pin is inserted with the small end (non-tapered) first and is flush with both sides of the nipple. Thread the fixture coupler over the dowel pin.

IMPORTANT: *If the dowel pin is lost during this process, DO NOT attempt to replace it with anything but another dowel pin from Aladdin Light Lift.*

B. CHANDELIER INLINE WITH A CEILING JOIST

Occasionally a light lift must be installed with the chandelier hanging in line with a ceiling joist. The following directions explain how to make this work with an Aladdin Light Lift:

1. Drill a 7/8" hole and notch out the bottom of the joist 3" for the ceiling box.
2. Run the smaller end of the conduit through the hole.
3. Frame up the remote bracket pulley assembly to account for the added height of the extended conduit.
4. To make this installation work, remove the dowel pin from the bottom contact plate. See SPECIAL SITUATIONS: REMOTE INSTALLATION 'A' for removing and replacing the dowel pin in the bottom contact plate.



C. LENGTHEN OR SHORTEN THE CONDUIT ASSEMBLY

The light lift comes standard with a conduit assembly that adjusts from nine to fourteen inches. This measurement is from the bottom of the chassis plate to the bottom of the ceiling box.

Ceiling joists or another situation may require extending or shortening the conduit assembly. The following directions explain how to do so:

1. Measure the required length for the conduit assembly.
2. See SPECIAL SITUATIONS-REMOTE INSTALLATION 'A' and remove the temporary five pound weight, fixture coupler, bottom contact plate assembly, ceiling box, conduit assembly, and remote bracket pulley assembly from the end of the winch cable.
3. Replace the included conduit pieces with the newly cut conduit pieces but use the original conduit coupler.
4. See SPECIAL SITUATIONS-REMOTE INSTALLATION 'A' for reassembly.

D. EXTEND CABLE FOR REMOTE INSTALLATIONS

There may be a time during a remote installation where extending the winch cable length or running the cable through joists is necessary. And doing so would be easier without the bottom contact plate, ceiling box, conduit assembly, and remote bracket pulley assembly attached to the end of the cable. To remove these parts and extend the cable, follow these simple yet important directions:

1. Remove the dowel pin to release the bottom contact plate, ceiling box, conduit assembly, and remote bracket pulley assembly attached to the end of the winch cable.
See SPECIAL SITUATIONS: REMOTE INSTALLATION 'A' for proper pin removal.
2. Apply temporary 110V to the switch in the square box labeled 'motor.' Attach the neutral to the white 14 gauge wire in the square box. Unplug the low voltage control wire and jumper between the COM and DOWN pins. This will run the light lift down to extend the winch cable out for an easier installation. Try to keep as much tension on the cable as possible during this procedure. Also, when doing this, do not unplug any wires from the ceiling box to the circuit board. If the limit switch wire was unplugged, MAKE SURE to reattach them correctly before closing up the ceiling. (page 37 and 39)
3. Once the desired length of winch cable is acquired, reassemble the remote bracket pulley assembly, conduit assembly, ceiling box, and bottom contact plate. See SPECIAL SITUATIONS: REMOTE INSTALLATION 'A' for proper pin reinstallation.

IMPORTANT: Not reinstalling the pin correctly can cause a safety hazard. If not confident that the pin is reinstalled properly, DO NOT hang the chandelier!

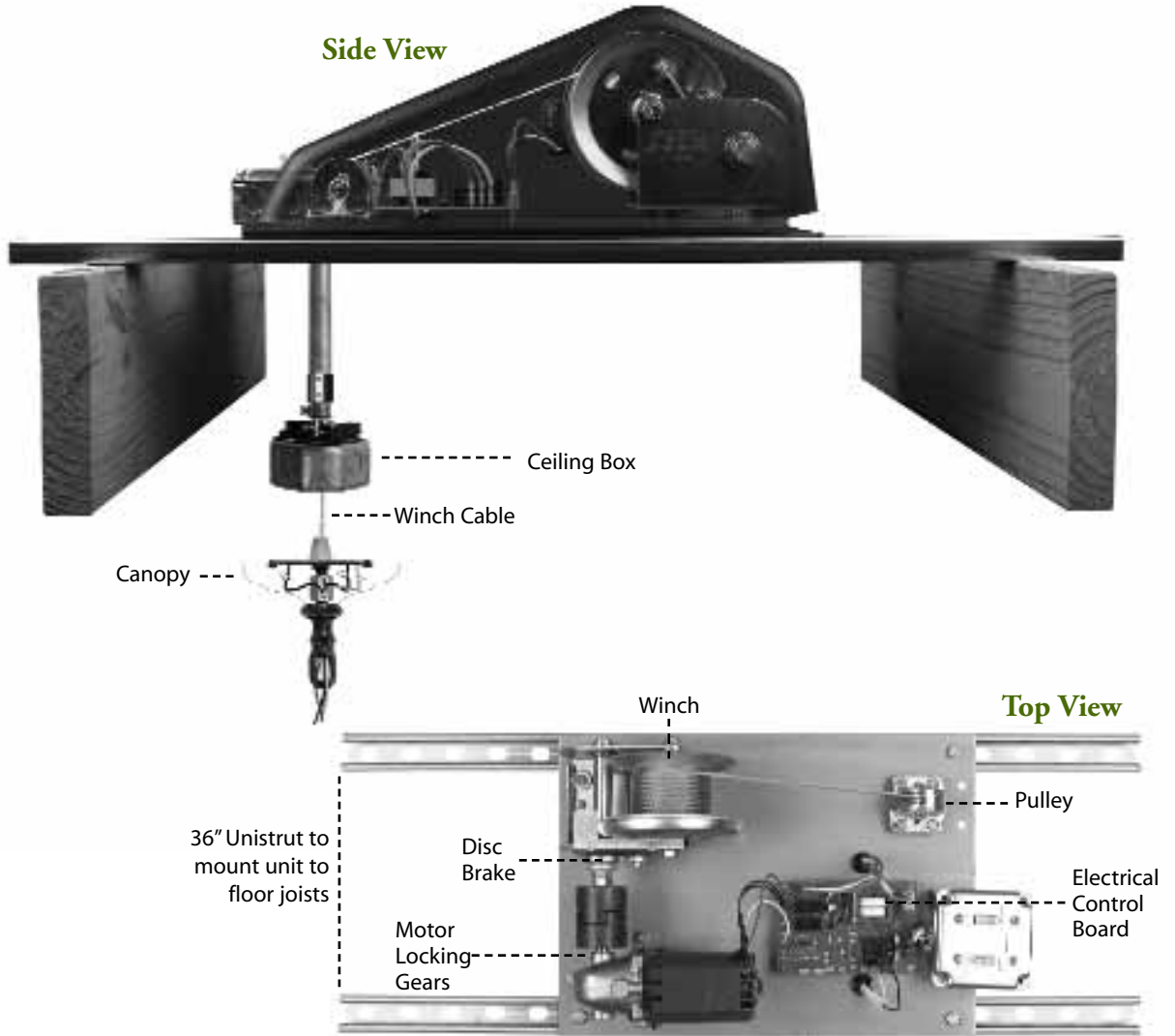
E. ADDING DIRECTIONAL PULLEY(S) IN REMOTE INSTALLATIONS

Add directional pulleys to an Aladdin Light Lift safely by following these directions:

1. Remove the dowel pin to release the bottom contact plate, ceiling box, conduit assembly, and remote bracket pulley assembly attached to the end of the winch cable.
See SPECIAL SITUATIONS: REMOTE INSTALLATION 'A' for proper pin removal.
2. Slide directional pulley(s) on the winch cable over the directional pulley wheel.
3. Reassemble the remote bracket pulley assembly, conduit assembly, ceiling box, and bottom contact plate. See SPECIAL SITUATIONS: REMOTE INSTALLATION 'A' for proper pin reinstallation.

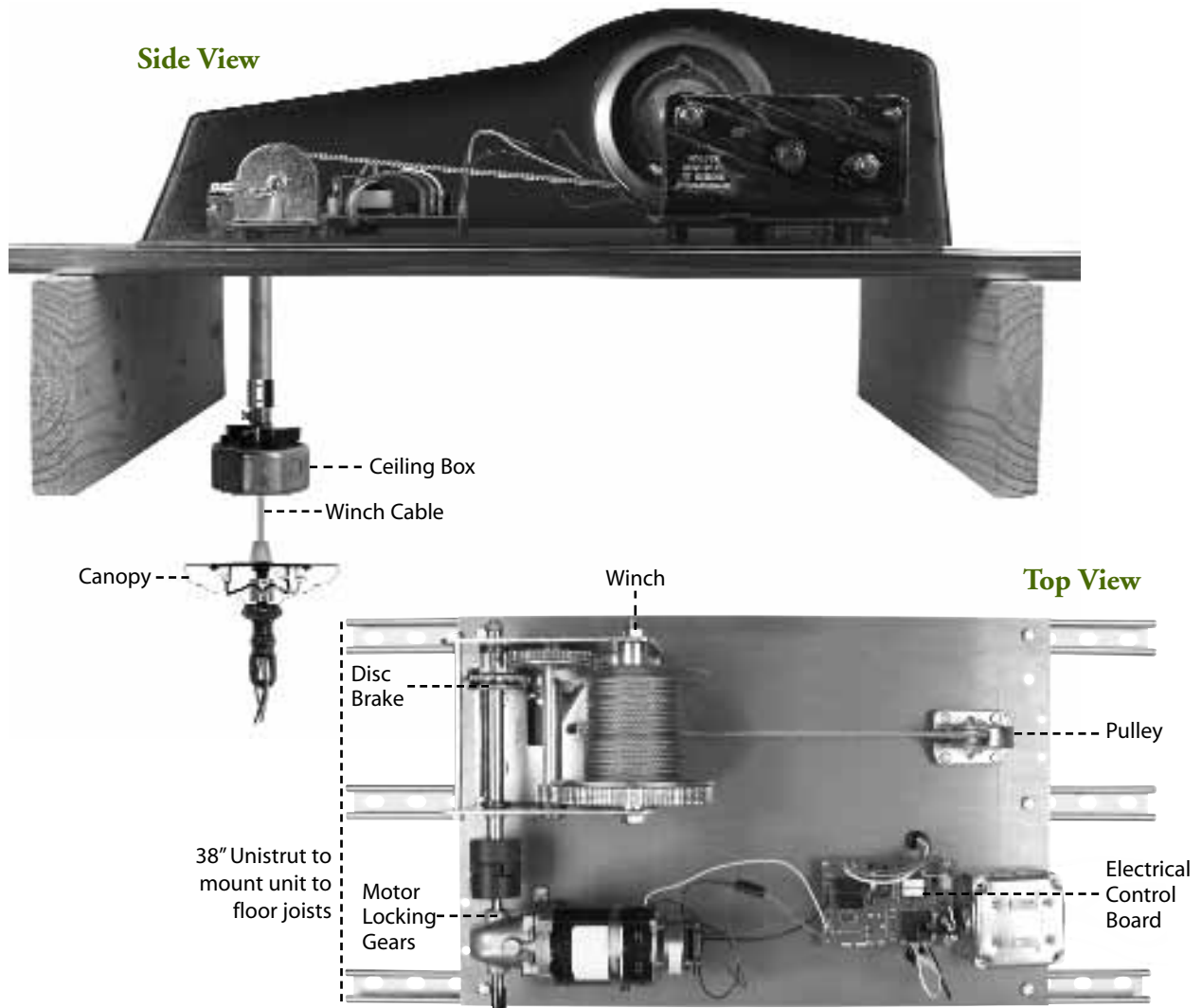
IMPORTANT: Not reinstalling the pin correctly can cause a safety hazard. If not confident that the pin is reinstalled properly, DO NOT hang the chandelier.

Specifications Model ALL200 and ALL300



Maximum Lifting Capacity	Model ALL200- 200 lbs. Model ALL300 - 300 lbs.
Winch Cable Strength	1,800 lbs.
Winch Assembly	1,500 lb. maximum
Locking Mechanisms (2).....	1 disc brake on winch 1 brake on motor
Motor	120V AC (Must be on separate circuit from the lights)
Winch Cable Length	35 ft. standard; 65,90,120 ft. optional
Light Wattage Capacity.....	1 circuit - 1,560 watts (standard) <i>2 circuit packages can not be used with remote mount options</i> 1 circuit - 2,200 watts (optional) 2 circuit - 3,300 watts (optional) 2 circuit - 4,400 watts (optional)
Dimensions of unit.....	14" wide x 19" long x 9" high
Shipping Weight.....	47 lbs.
Remote mounting options available	65 ft. cable standard;Electrical wiring 25 ft. standard
SmartLift Controller	Optional
Relamping Cord	Optional (to temporarily relight chandelier at floor level)

Specifications Model ALL700 and ALL1000



Maximum Lifting Capacity	Model ALL700- 700 lbs. Model ALL1000 - 1000 lbs.
Winch Cable Strength	3,000 lbs.
Winch Assembly	2,500 lb. maximum
Locking Mechanisms (2).....	1 disc brake on winch 1 brake on motor
Motor	120V AC (Must be on separate circuit from the lights)
Winch Cable Length	35 ft. standard; 65,90,120 ft. optional
Light Wattage Capacity.....	1 circuit - 2,200 watts (standard) 2 circuit - 3,300 watts (optional) 2 circuit - 4,400 watts (optional)
	<i>2 circuit packages can not be used with remote mount options</i>
Dimensions of unit.....	18" wide x 27 1/2" long x 9" high
Shipping Weight.....	Model ALL700- 93 lbs. Model ALL1000 - 103 lbs.
Remote mounting options available	65 ft. cable standard; Electrical wiring 25 ft. standard
SmartLift Controller	Standard
Relamping Cord	Optional (to temporarily relight chandelier at floor level)

TROUBLESHOOTING

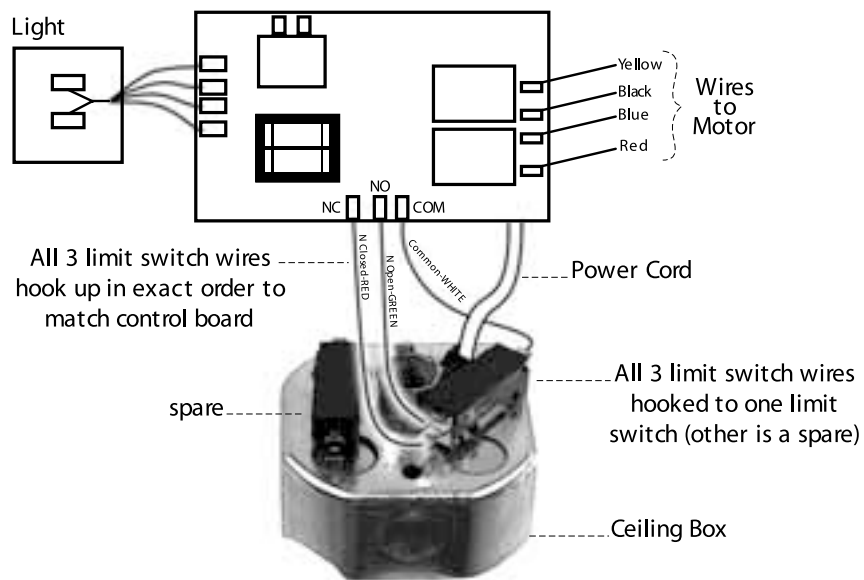
The light lift is intended to make the chandelier maintenance easier. It was adjusted at the factory to operate safely without maintenance for many years. To perform properly the light lift MUST be installed exactly according to the installation instructions! Should a problem arise, simply follow this troubleshooting guide to determine the problem.

ALADDIN LIGHT LIFT TECHNICAL SUPPORT: 1-877-287-4601

**WARNING: 115 volts of electricity is exposed when the switches are on.
Electricity can KILL!**

Light lift does not run or will only run down:

1. Make sure the motor switch is turned on and the motor fuse is good.
2. Remove the Smart Lift Controller or Keyswitch wiring harness from the circuit board and jump across the COM and DOWN pins to go down and the COM and UP pins to go up. If the unit runs, reconnect the wiring harness back to the circuit board and skip to step 4.
3. If the unit does not run, leave the wiring harness disconnected and switch to the spare limit switch. There are two limit switches on the unit (one is a spare). Both limit switches are mounted on top of the ceiling box that the cable goes through. Simply move the white, green, and red limit switch wires from the current limit switch over to the spare limit switch. Once rewired, jump the COM and DOWN or COM and UP pins at the Keyswitch terminal on the circuit board. If the unit runs, reconnect the wiring harness back to the circuit board and the repair is complete. If not, call Aladdin's technical support.
4. Locate the end of the 50' low voltage control wire (may be connected to the SmartLift Controller or Keyswitch). Jump across the black and green wire to go down and the black and red wire to go up. If the unit runs, the have a defective SmartLift Controller or Keyswitch. If the unit does not run, low voltage control wire is defective.



Note: For special framing the wires for the box to the light lift above may need to be disconnected.

If the wires are disconnected, make sure they are reconnected in the same way as above.

TROUBLESHOOTING

Lights will not come on:

1. Make sure the light toggle switch is on and the light fuse is good.
2. Make sure contact plates are not painted.
3. Make sure the contact plates are together.
The lights will not come on unless the plates are making solid contact.
4. If the light is still not working, call Aladdin's technical support.

Light lift will not cut off at the ceiling or it will only run up:

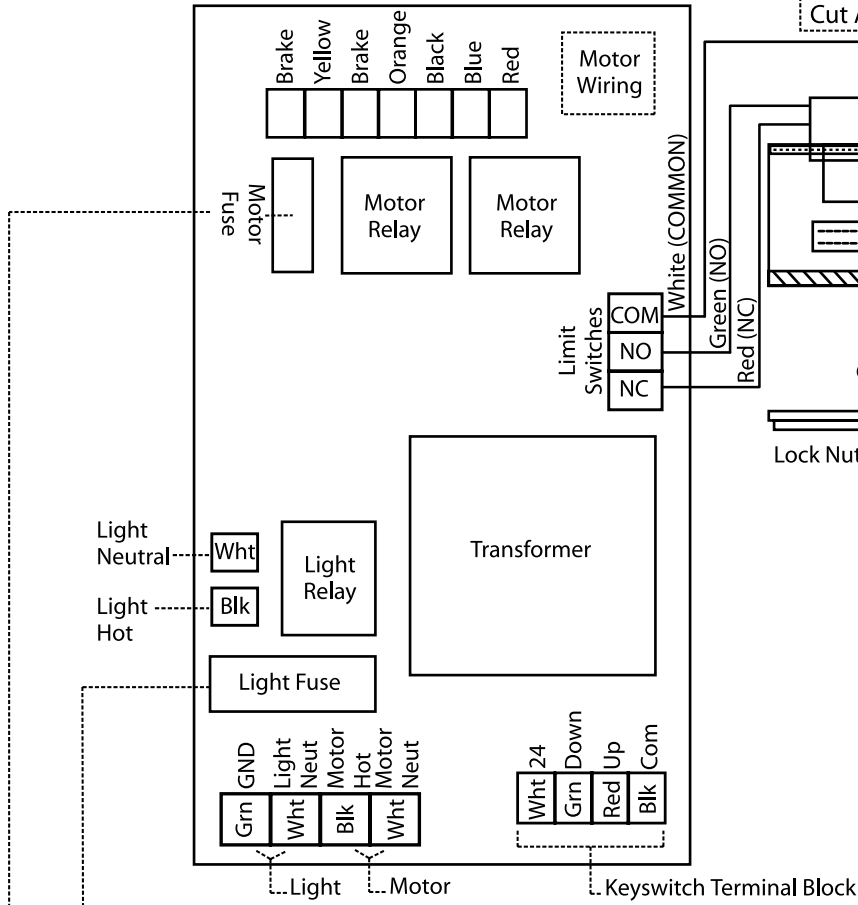
1. Contact Aladdin's technical support immediately. Do not continue to run the unit.

Motor turns but the light lift does not raise or lower:

1. Make sure either the temporary weight or the chandelier is attached to the winch cable.
2. Check the winch cable to see if it is crossways and catching on itself. If it is crossed up, straighten it out. In addition, make sure the unit is level and the cable is feeding out of the center of the contact plate and ceiling box.
3. If the problem continues, call Aladdin's technical support (877) 287-4601.

TROUBLESHOOTING

Illustration A



Replace with same type fast act fuse:
 ALL200/ALL300-15A, 250V
 ALL700/ALL1000-20A, 250V

Replace with same type slow blow fuse:
 ALL200/ALL300/ALL1000-1A, 250V
 ALL700-2.5A, 250V

Illustration B

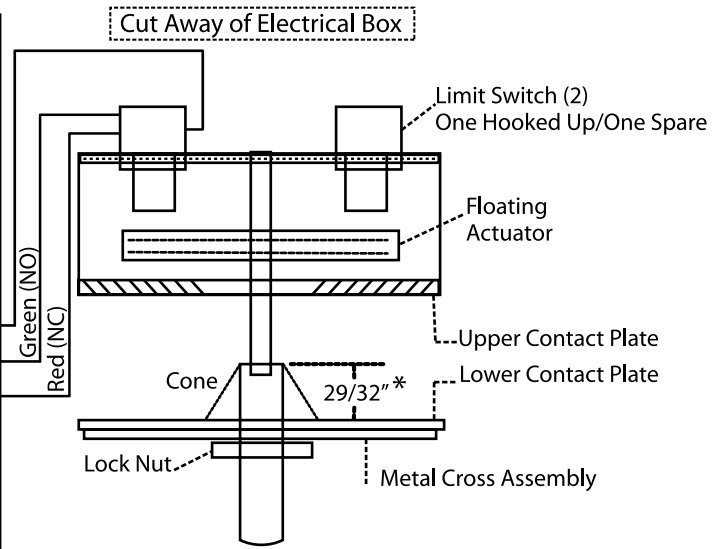
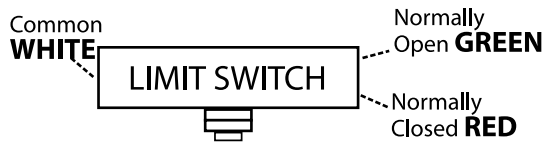


Illustration C



Note: Only one limit switch is used in operating the lift. Make sure the wires are connected in the same order to the control board (IE COM, N.O., N.C.).

Warranty Agreement

Aladdin Light Lift, Inc. warrants its chandelier light lift unit for one year from the date of purchase. The warranty includes all parts provided the unit is installed properly by a licensed electrician. Labor charges will be the responsibility of the purchaser.

If the unit does not operate properly, the purchaser must contact a factory authorized service technician approved by Aladdin Light Lift, Inc. to determine if the unit was installed properly. The technician will furnish a written report to the purchaser and Aladdin concerning any problem with the lift system which will be binding on all parties concerned.

All defective parts must be returned to Aladdin Light Lift, Inc. for the warranty to apply. Any alteration or by-passing of the electrical or mechanical system of exceeding the wattage maximum (as indicated on the lift) will void the warranty and can result in an electrical hazard.

This warranty agreement showing date of purchase and distributor must be returned to Aladdin Light Lift, Inc. within 30 days of purchase to validate the warranty. Call your distributor to obtain the name of a factory authorized technician in your area.

Purchaser

Distributor

Address

Address

Telephone

Telephone

Date of Purchase

Place
Stamp
Here

Aladdin Light Light Lift, Inc.
8370 Wolf Lake Drive, Suite 112
Memphis, TN 38133

Automatically lowers your chandelier for easy cleaning and bulb changing.

The Aladdin Light Lift is a motorized lift system for your chandelier. Now, the beauty of your chandelier can be easily maintained. Cleaning and changing of bulbs can be done by anyone...anytime.

Dangerous ladders and expensive cleaning services are things of the past as chandeliers are quickly and safely lowered within easy reach from the floor.

It is the simple solution for every hard-to-reach chandelier.



Just press the button or turn the key

The Aladdin Light Lift comes with a special Keyswitch which can be conveniently installed on any new or existing wall. The Keyswitch is child resistant and prevents accidental activation of the light lift. The chandelier lowers by simply inserting the key and turning the switch. Releasing the key stops the chandelier at the height you choose. It's that easy.

A SmartLift Controller automatically raises and lowers the Aladdin Light Lift without holding a key. It can be programmed to automatically stop at any desired height above the floor. Standard on ALL700 and ALL1000 models and optional on ALL200 and ALL300.



8370 Wolf Lake Drive, Suite 112
Memphis, Tennessee 38133
Phone (901) 385-0456 • Fax (901) 385-0533
www.aladdinlightlift.com